

US00D757338S

(12) **United States Design Patent**
Thompson

(10) **Patent No.:** **US D757,338 S**

(45) **Date of Patent:** **** May 24, 2016**

(54) **FLOOR LAMP**

(71) Applicant: **Mahdi Thompson**, Westfield, IN (US)

(72) Inventor: **Mahdi Thompson**, Westfield, IN (US)

(**) Term: **14 Years**

(21) Appl. No.: **29/497,226**

(22) Filed: **Jul. 22, 2014**

(51) **LOC (10) Cl.** **26-03**

(52) **U.S. Cl.**
USPC **D26/102**

(58) **Field of Classification Search**
USPC D26/24, 93, 106, 107, 95, 104, 105,
D26/102, 103

CPC F21S 6/00; F21S 6/002; F21S 6/004;
F21S 6/006; F21S 8/00; F21S 10/00; F21V
21/02; F21W 2131/30; F21Y 2105/00
See application file for complete search history.

(56) **References Cited**

U.S. PATENT DOCUMENTS

D342,339 S * 12/1993 Lin D26/102
D480,169 S * 9/2003 Lee D26/104

D487,524 S * 3/2004 Lin D26/95
D581,577 S * 11/2008 Baldele D26/104
D674,958 S * 1/2013 Ng D26/106
D675,769 S * 2/2013 Choi D26/106

* cited by examiner

Primary Examiner — Brian N Vinson

(74) *Attorney, Agent, or Firm* — C. John Brannon; Brannon
Sowers & Cracraft PC

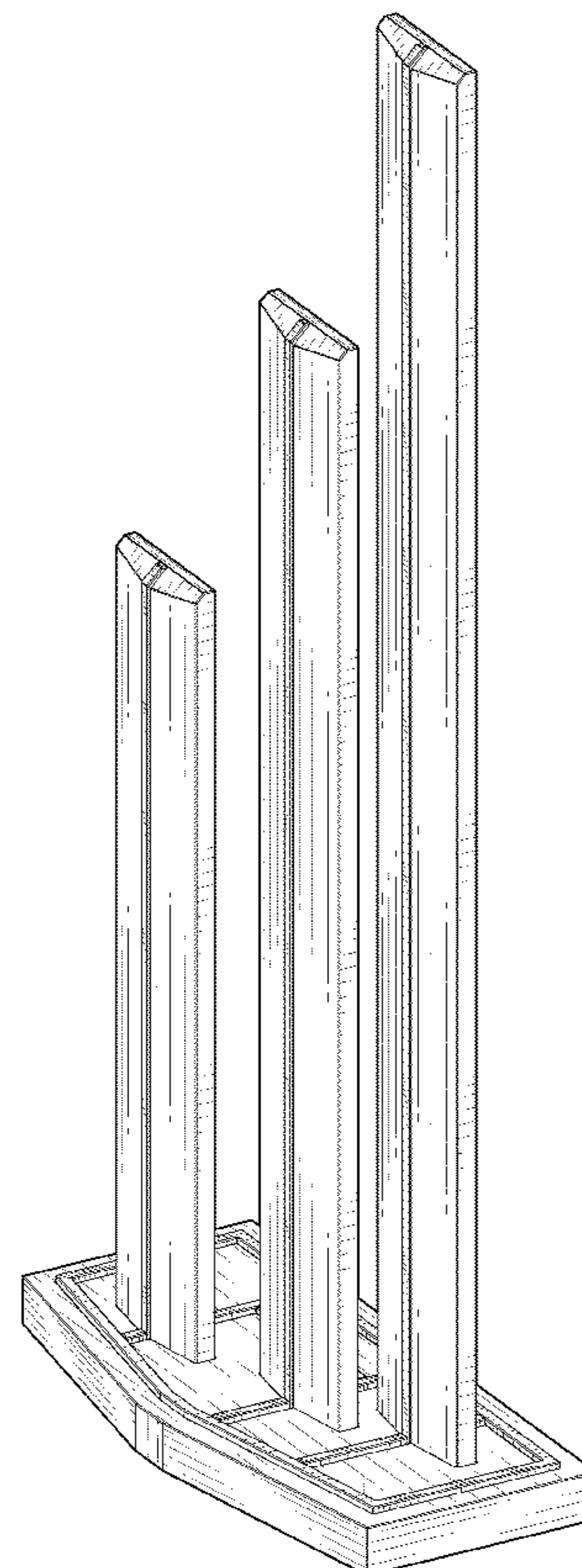
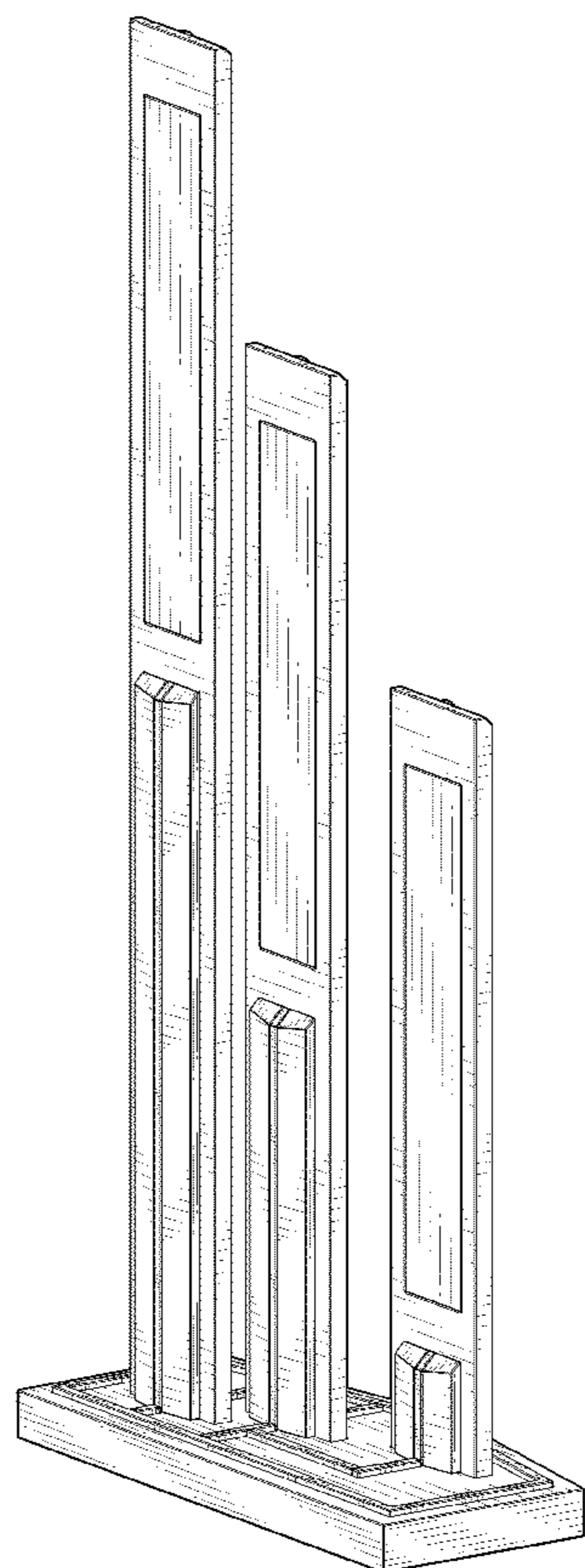
(57) **CLAIM**

The ornamental design for a floor lamp, as shown and
described.

DESCRIPTION

FIG. 1 is a rear perspective view of a floor lamp showing my
new design;
FIG. 2 is a front perspective view thereof;
FIG. 3 is a rear elevational view thereof;
FIG. 4 is a right side elevational thereof;
FIG. 5 is a top view thereof;
FIG. 6 is a left side elevational view thereof; and,
FIG. 7 is a front elevational view thereof.

1 Claim, 4 Drawing Sheets



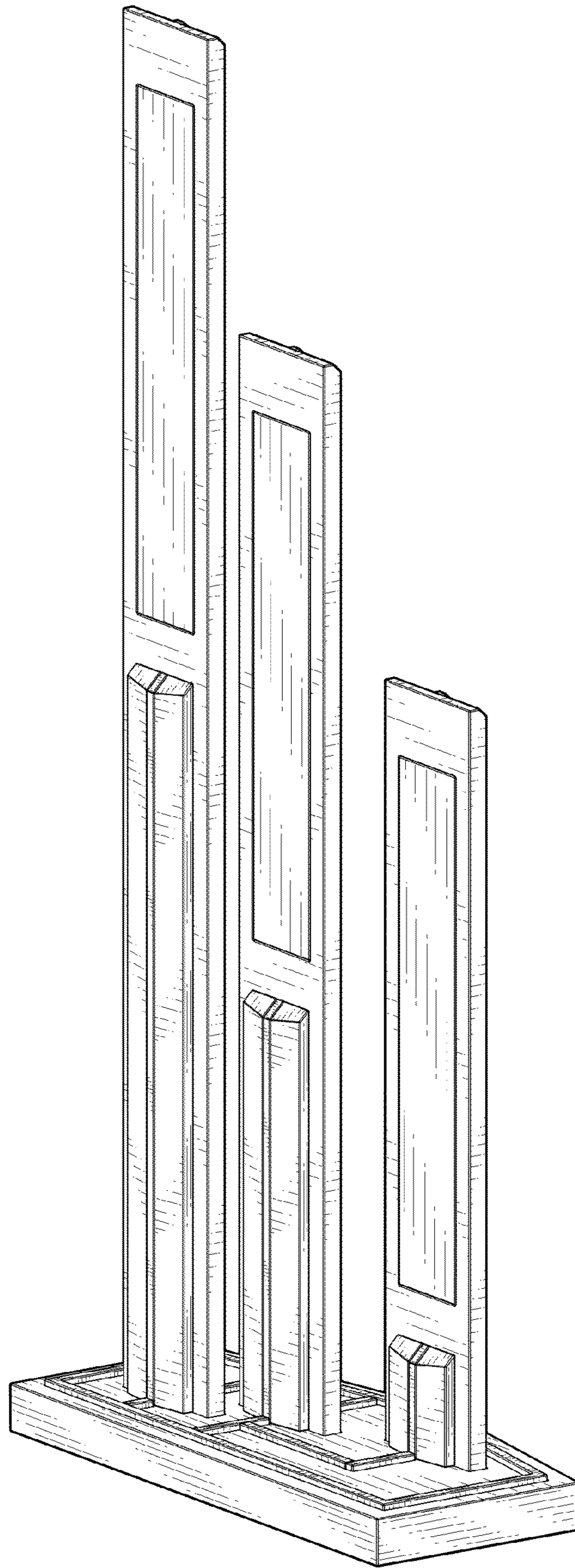


Fig. 1

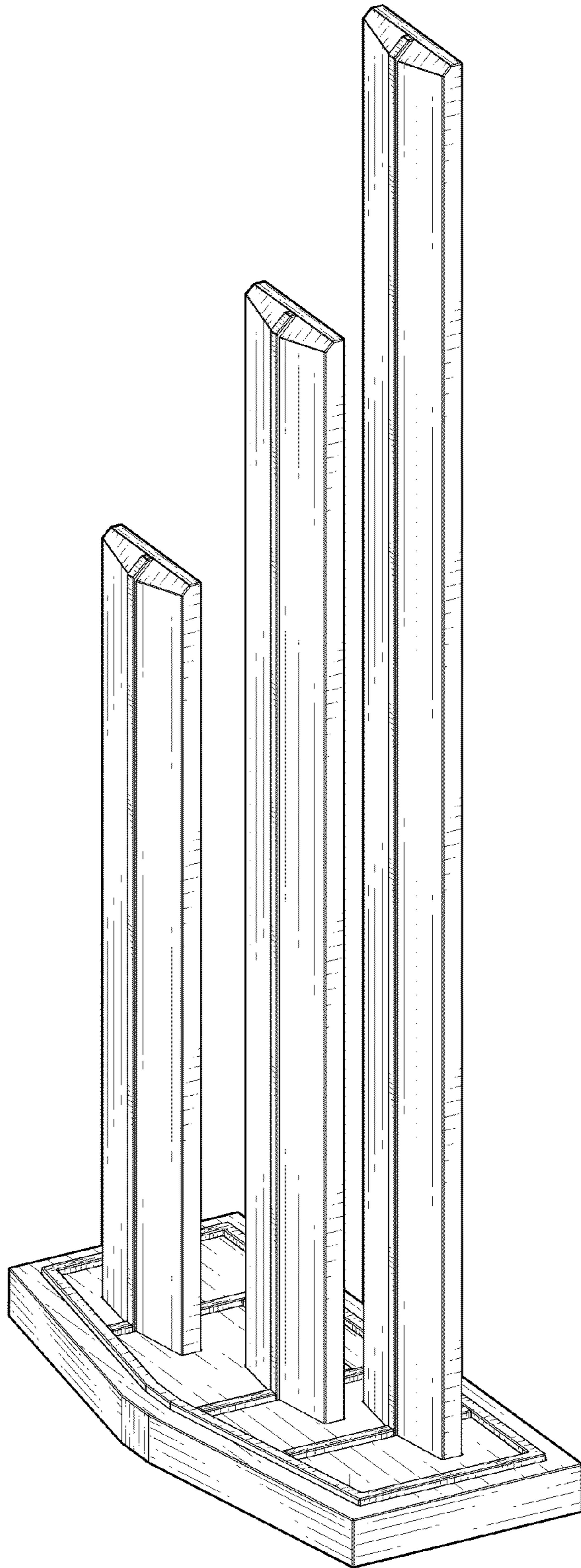


Fig. 2

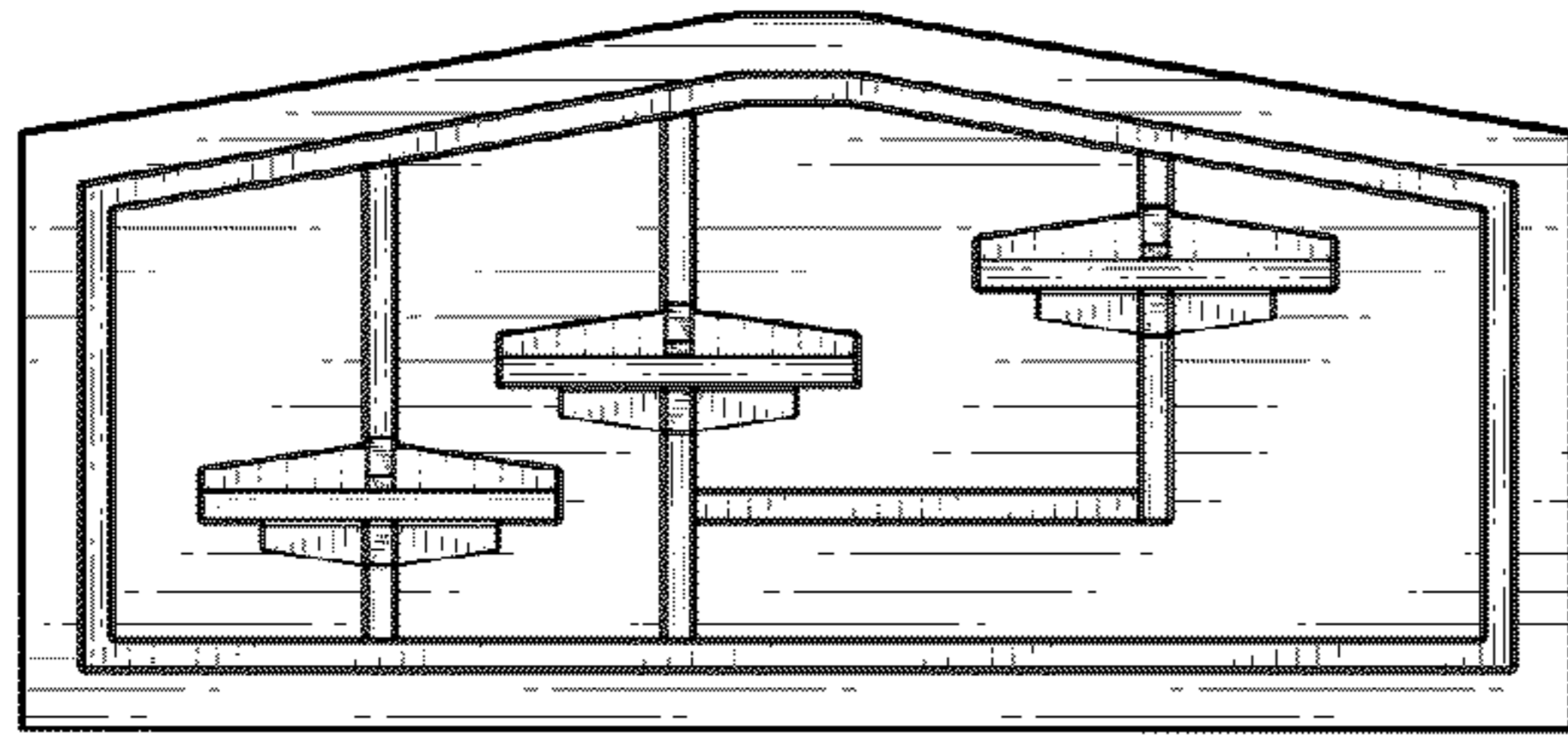


Fig. 5

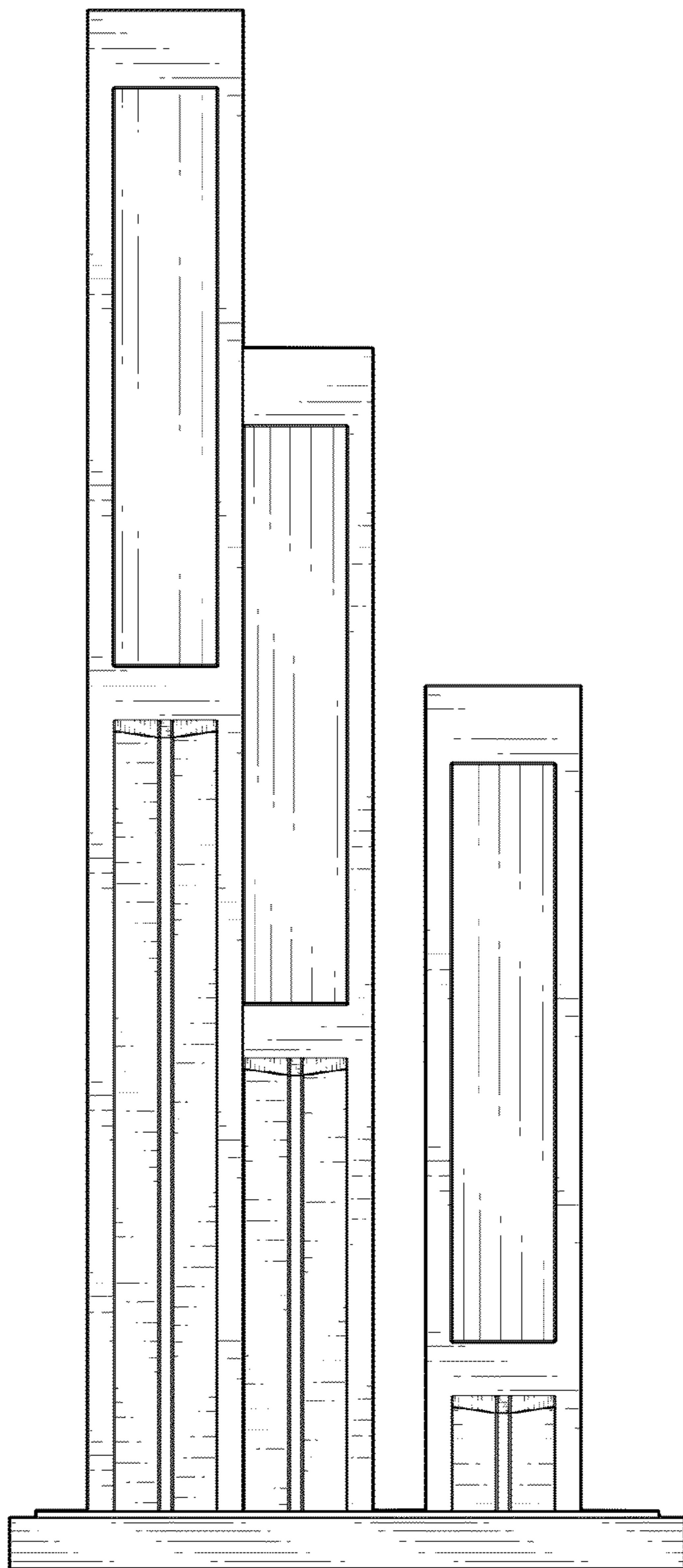


Fig. 3

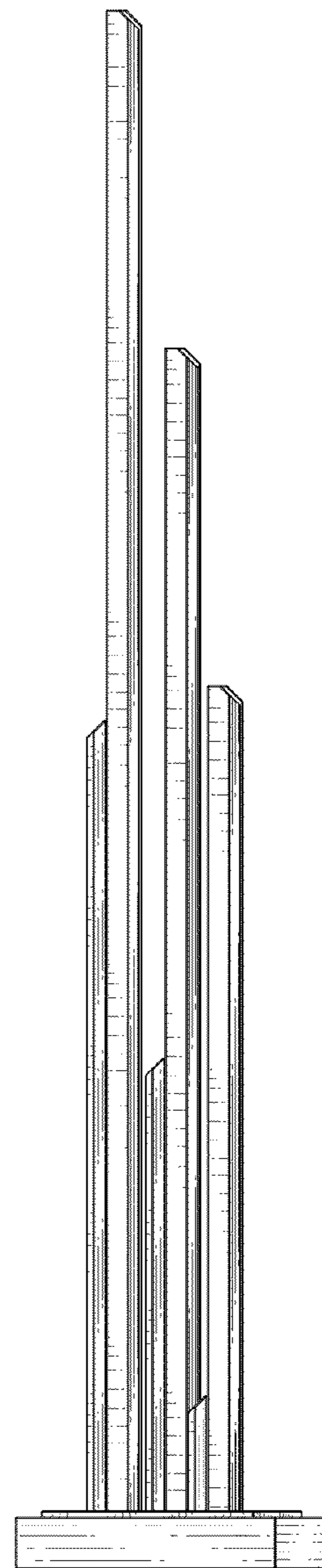


Fig. 4

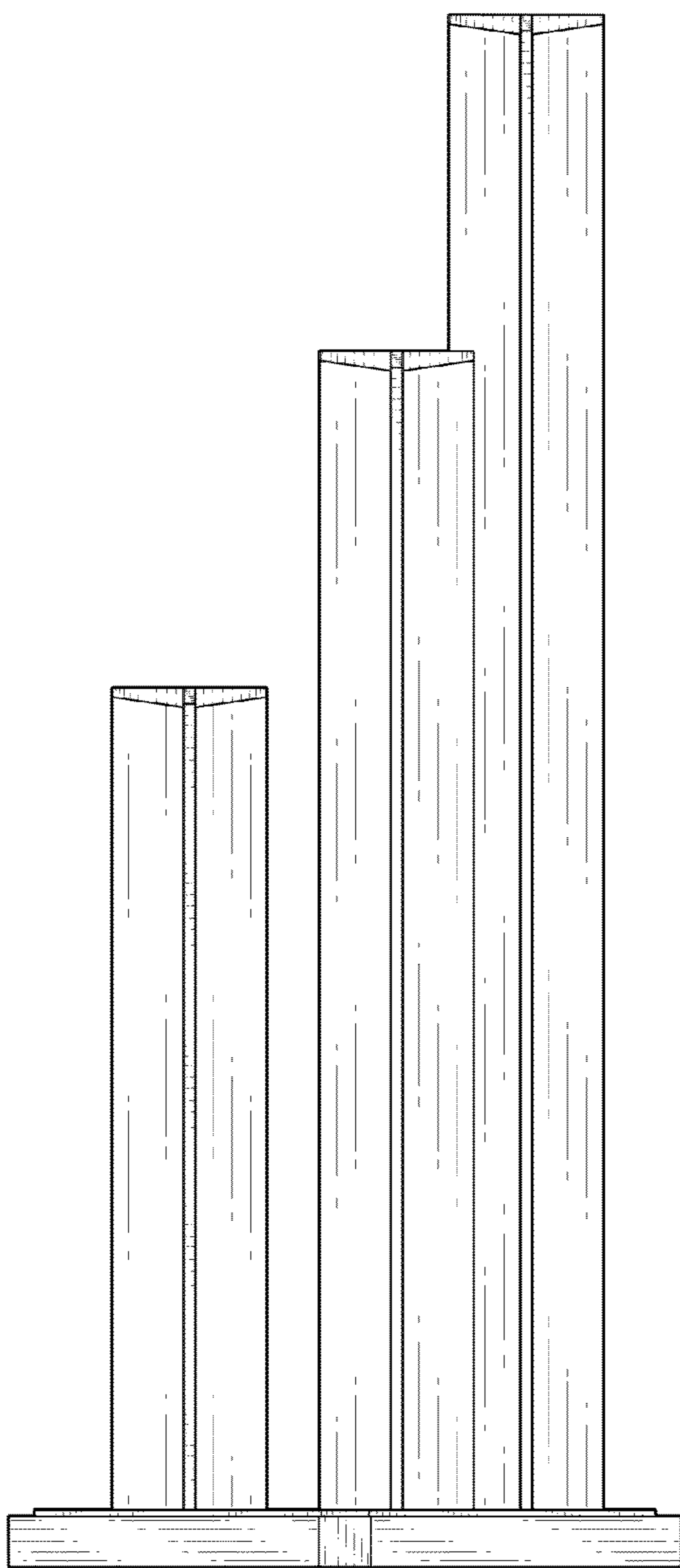


Fig. 7

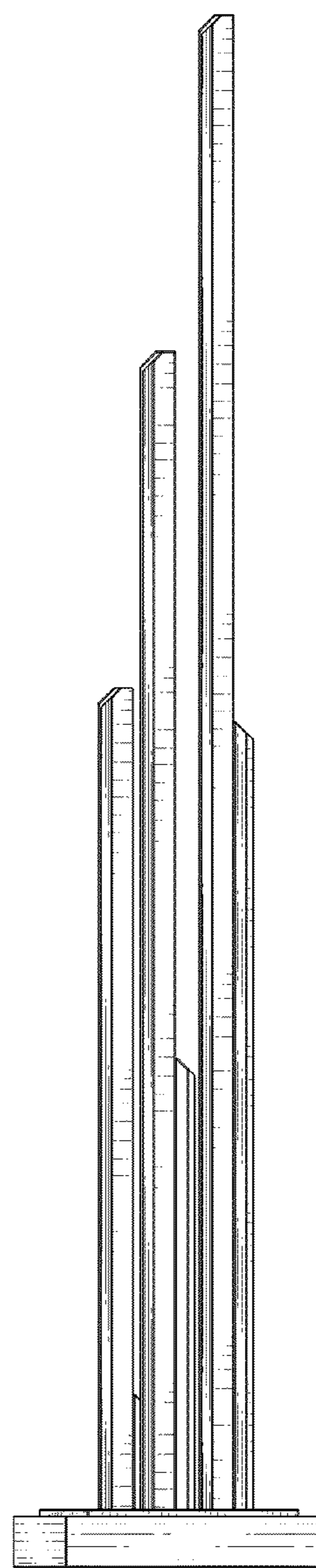


Fig. 6