



US00D757336S

(12) **United States Design Patent**
Li

(10) **Patent No.:** **US D757,336 S**

(45) **Date of Patent:** **** May 24, 2016**

(54) **ELECTRONIC TEALIGHT CANDLE**

7,837,355 B2 11/2010 Schnuckle
D669,615 S * 10/2012 Delcotto D26/6
D706,963 S * 6/2014 Thompson D26/4

(71) Applicant: **Xiaofeng Li**, Shenzhen (CN)

(Continued)

(72) Inventor: **Xiaofeng Li**, Shenzhen (CN)

(**) Term: **14 Years**

FOREIGN PATENT DOCUMENTS

(21) Appl. No.: **29/517,722**

CN 2551859 5/2003
CN 2562059 7/2003

(22) Filed: **Feb. 16, 2015**

(Continued)

(51) **LOC (10) Cl.** **26-03**

(52) **U.S. Cl.**
USPC **D26/96**

OTHER PUBLICATIONS

(58) **Field of Classification Search**
USPC D26/4, 5, 6, 7, 9, 96
CPC F21S 6/00; F21S 6/001; F21S 10/04;
F21S 10/10; F21S 10/043; F21S 8/08; F21S
48/115; F21V 21/00; F21V 35/00; F21W
2121/00; C11C 5/002; C11C 5/0046
See application file for complete search history.

Design U.S. Appl. No. 29/443,863, filed Jan. 23, 2013, Li.

(Continued)

Primary Examiner — Brian N Vinson
(74) *Attorney, Agent, or Firm* — Perkins Coie LLP

(57) **CLAIM**
The ornamental design for an electronic tealight candle, as shown and described.

(56) **References Cited**

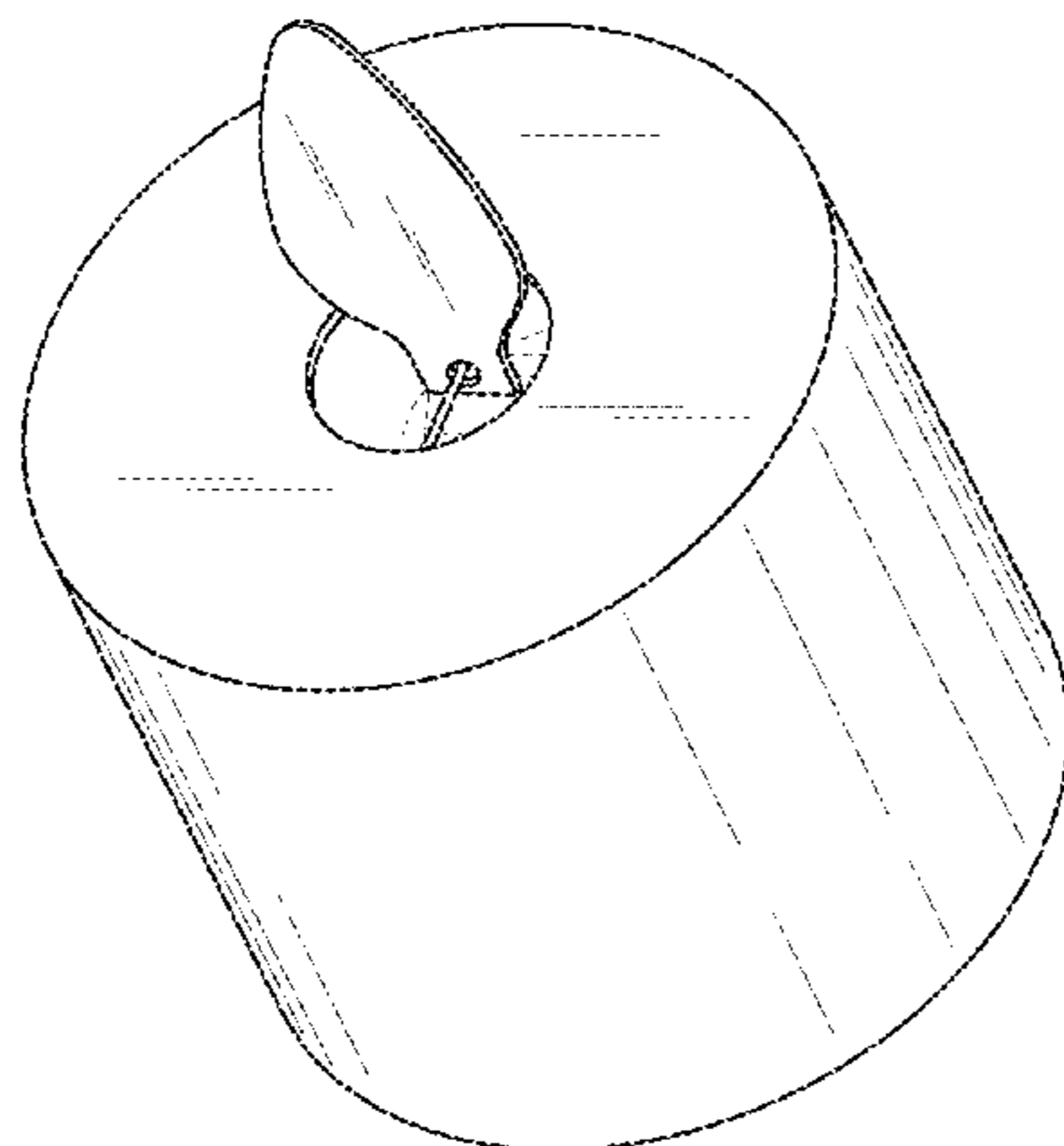
DESCRIPTION

U.S. PATENT DOCUMENTS

D102,561 S 12/1936 Lamb
2,451,725 A * 10/1948 Franklin C11C 5/006
29/600
4,328,534 A 5/1982 Abe
4,551,794 A 11/1985 Sandell
5,078,591 A * 1/1992 Despres F21S 13/00
431/288
D406,379 S * 3/1999 Andrews D26/96
6,454,425 B1 9/2002 Lin
D488,582 S * 4/2004 Connelly D26/96
7,159,994 B2 1/2007 Schnuckle
D545,458 S 6/2007 Jensen
7,261,455 B2 8/2007 Schnuckle
D567,993 S 4/2008 Shiu
D569,541 S * 5/2008 Shiu D26/96
D576,317 S 9/2008 Jensen
D589,176 S 3/2009 Huang et al.
D599,491 S 9/2009 Luo
7,686,471 B2 3/2010 Reichow

FIG. 1 is a front view of the electronic tealight candle of the present disclosure;
FIG. 2 is a rear view of the electronic tealight candle of FIG. 1;
FIG. 3 is a side view of the electronic tealight candle of FIG. 1;
FIG. 4 is a top view of the electronic tealight candle of FIG. 1;
FIG. 5 is a bottom view of the electronic tealight candle of FIG. 1;
FIG. 6 is a top perspective view of the electronic tealight candle of FIG. 1; and,
FIG. 7 is a bottom perspective view of the electronic tealight candle of FIG. 1.
The broken-line disclosure represents portions of the electronic tealight candle which form no part of the claimed design.

1 Claim, 6 Drawing Sheets



(56)

References Cited

U.S. PATENT DOCUMENTS

8,789,986 B2 * 7/2014 Li F21S 6/001
 362/393
 D735,399 S * 7/2015 Liu D26/96
 D739,069 S * 9/2015 Bologeorges D26/13
 D739,573 S * 9/2015 Li D26/4
 2003/0053305 A1 3/2003 Lin
 2004/0165374 A1 8/2004 Robinson
 2007/0002560 A1 1/2007 Gutstein et al.
 2007/0159422 A1 7/2007 Blandino et al.
 2008/0129226 A1 6/2008 DeWitt et al.
 2010/0079999 A1 4/2010 Schnuckle
 2012/0134157 A1 5/2012 Li

FOREIGN PATENT DOCUMENTS

CN 201103952 8/2008
 CN 201159425 12/2008
 CN 101865413 10/2010

CN 102748589 10/2012
 GB 2323159 9/1998
 GB 2379731 3/2003
 WO 2006020839 2/2006

OTHER PUBLICATIONS

Design U.S. Appl. No. 29/450,118, filed Mar. 15, 2013, Li.
 Design U.S. Appl. No. 29/450,125, filed Mar. 15, 2013, Li.
 Design U.S. Appl. No. 29/493,987, filed Jun. 16, 2014, Li.
 Design U.S. Appl. No. 29/493,988, filed Jun. 16, 2014, Li.
 Design U.S. Appl. No. 29/493,990, filed Jun. 16, 2014, Li.
 Design U.S. Appl. No. 29/493,996, filed Jun. 16, 2014, Li.
 Design U.S. Appl. No. 29/511,278, filed Dec. 9, 2014, Li.
 Design U.S. Appl. No. 29/511,518, filed Dec. 11, 2014, Li.
 U.S. Appl. No. 61/010,611, filed Sep. 30, 2008, Schnuckle, Provisional patent application.
 International Search Report and Written Opinion for related PCT Application No. PCT/CN2014/073557 mailed Jul. 2, 2014 (11 pages).

* cited by examiner

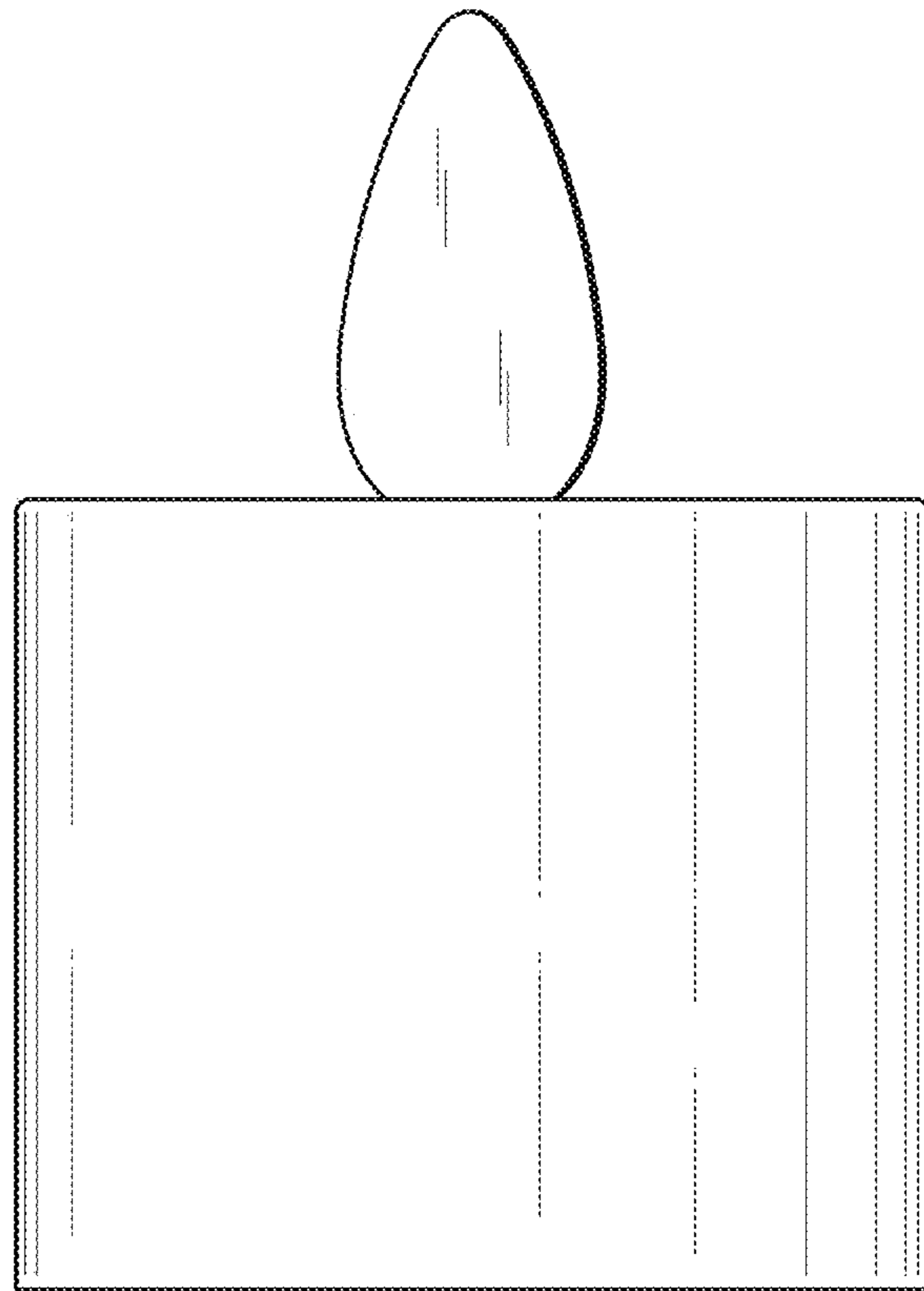


Fig. 1

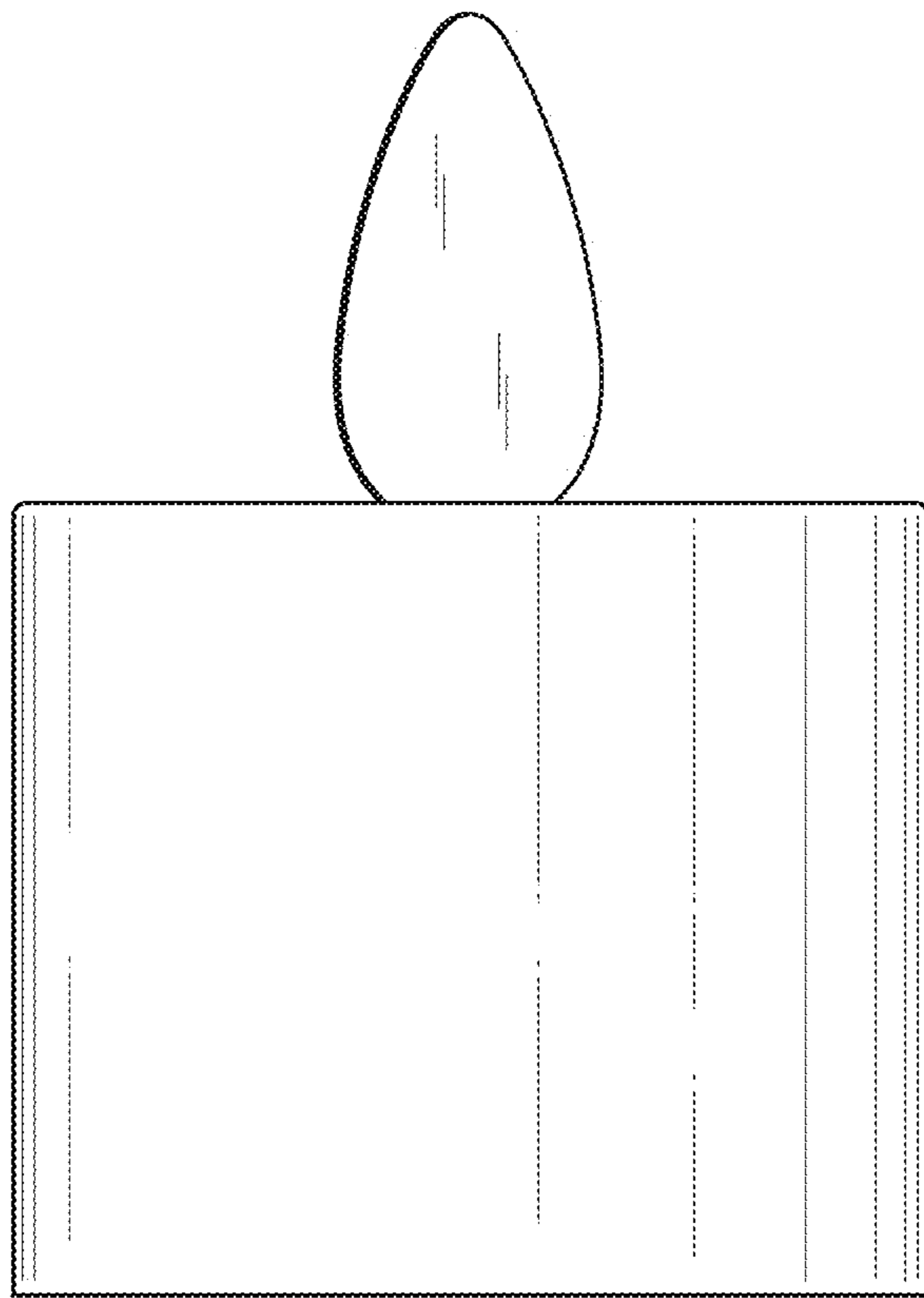


Fig. 2

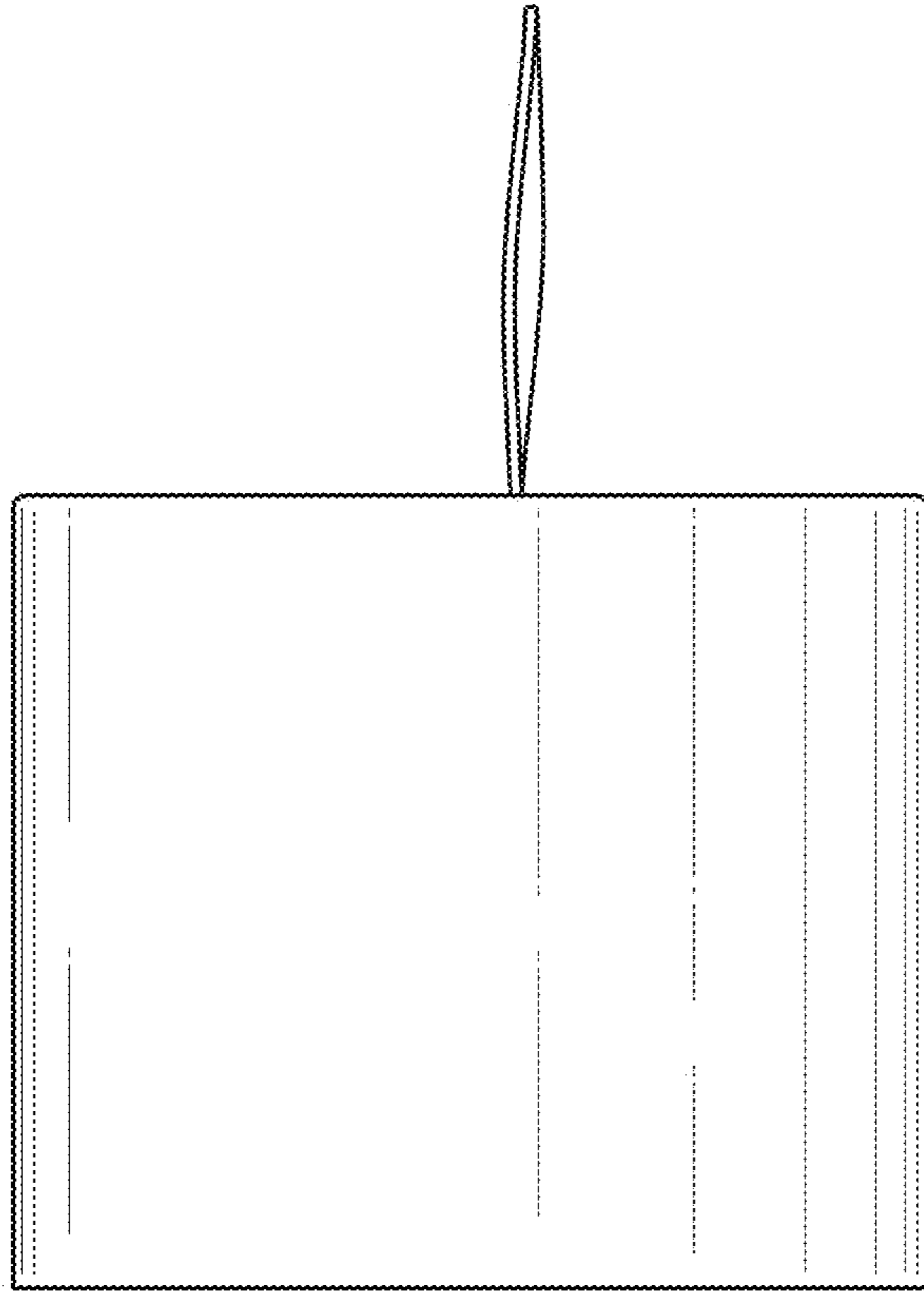


Fig. 3

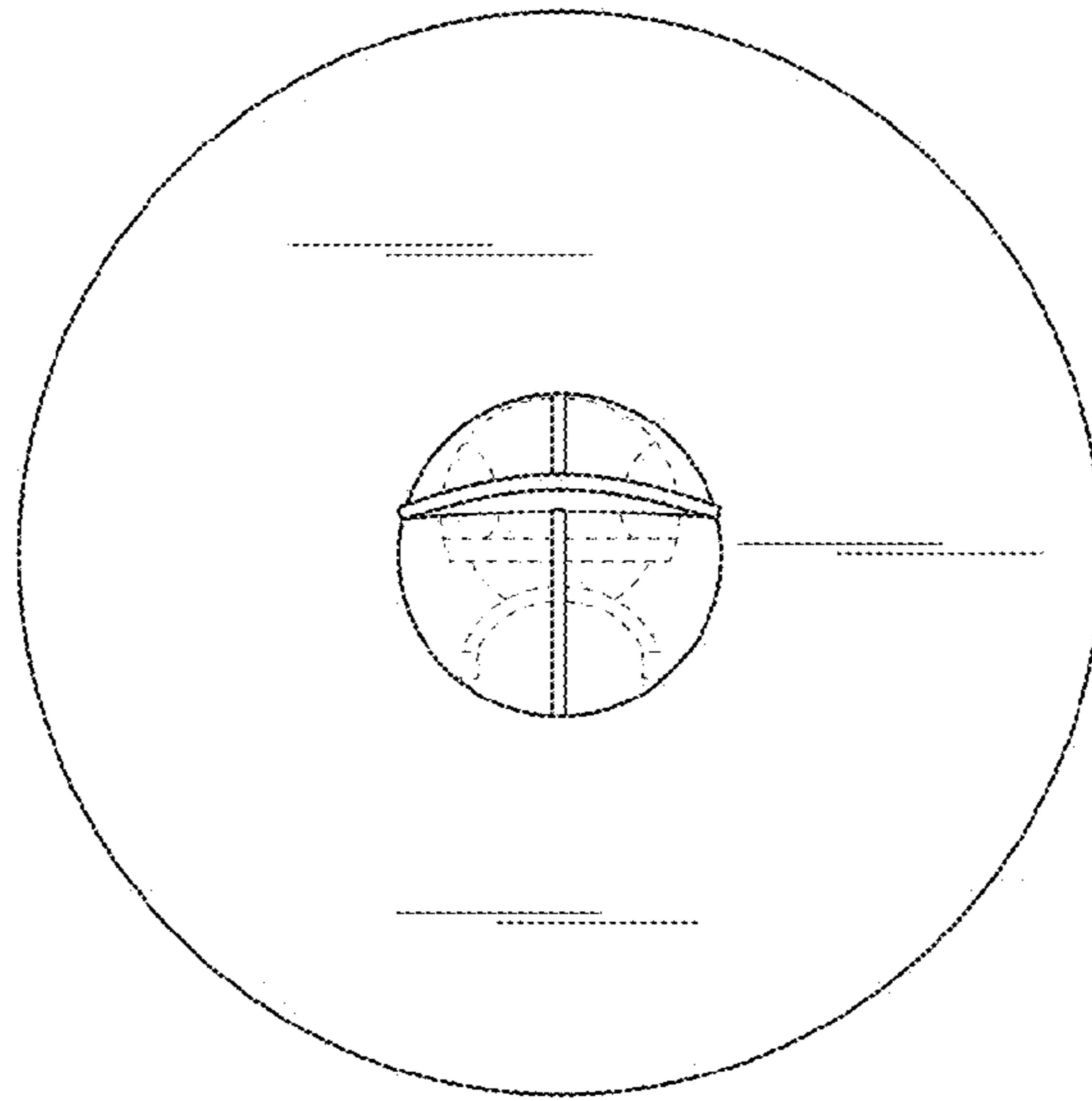


Fig. 4

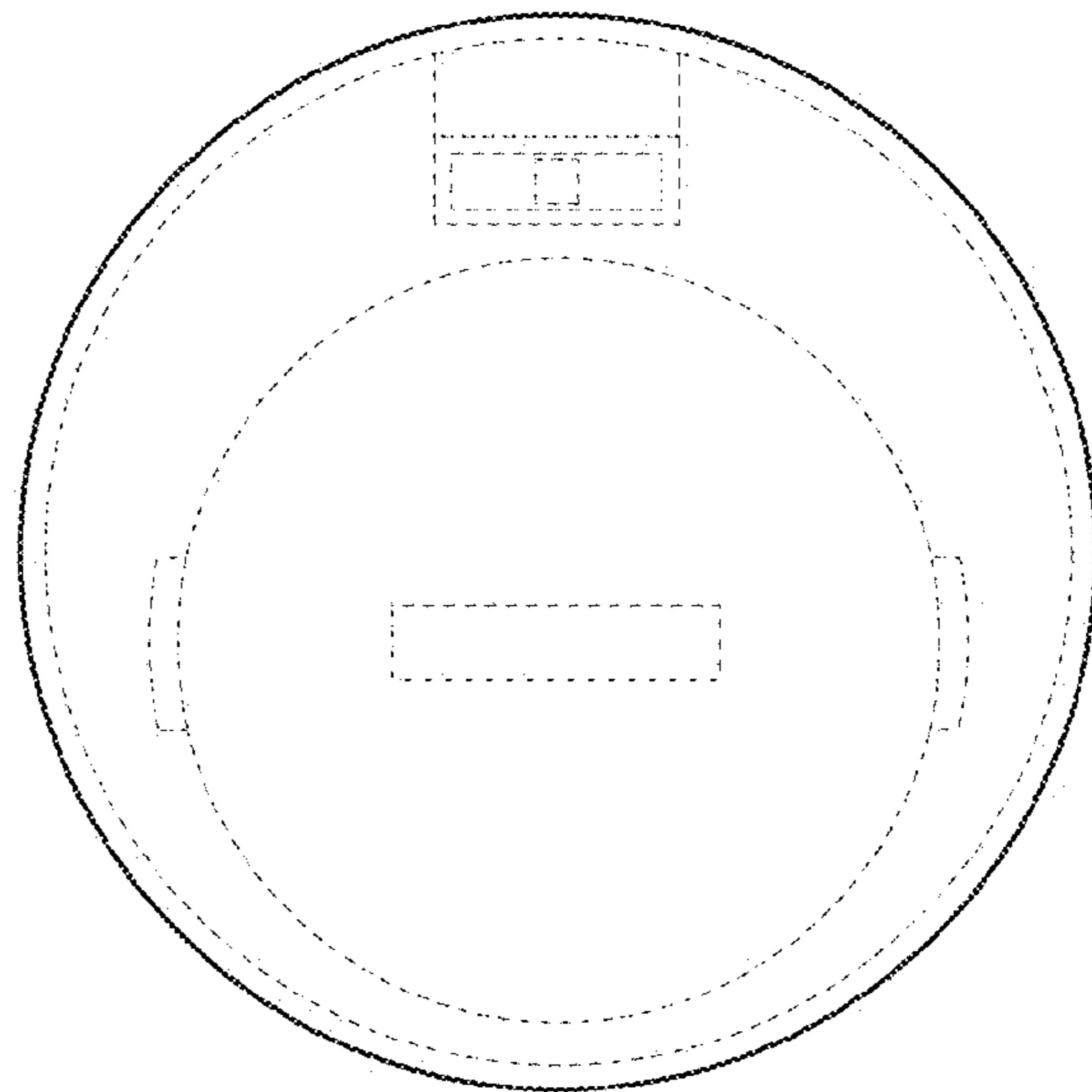


Fig. 5

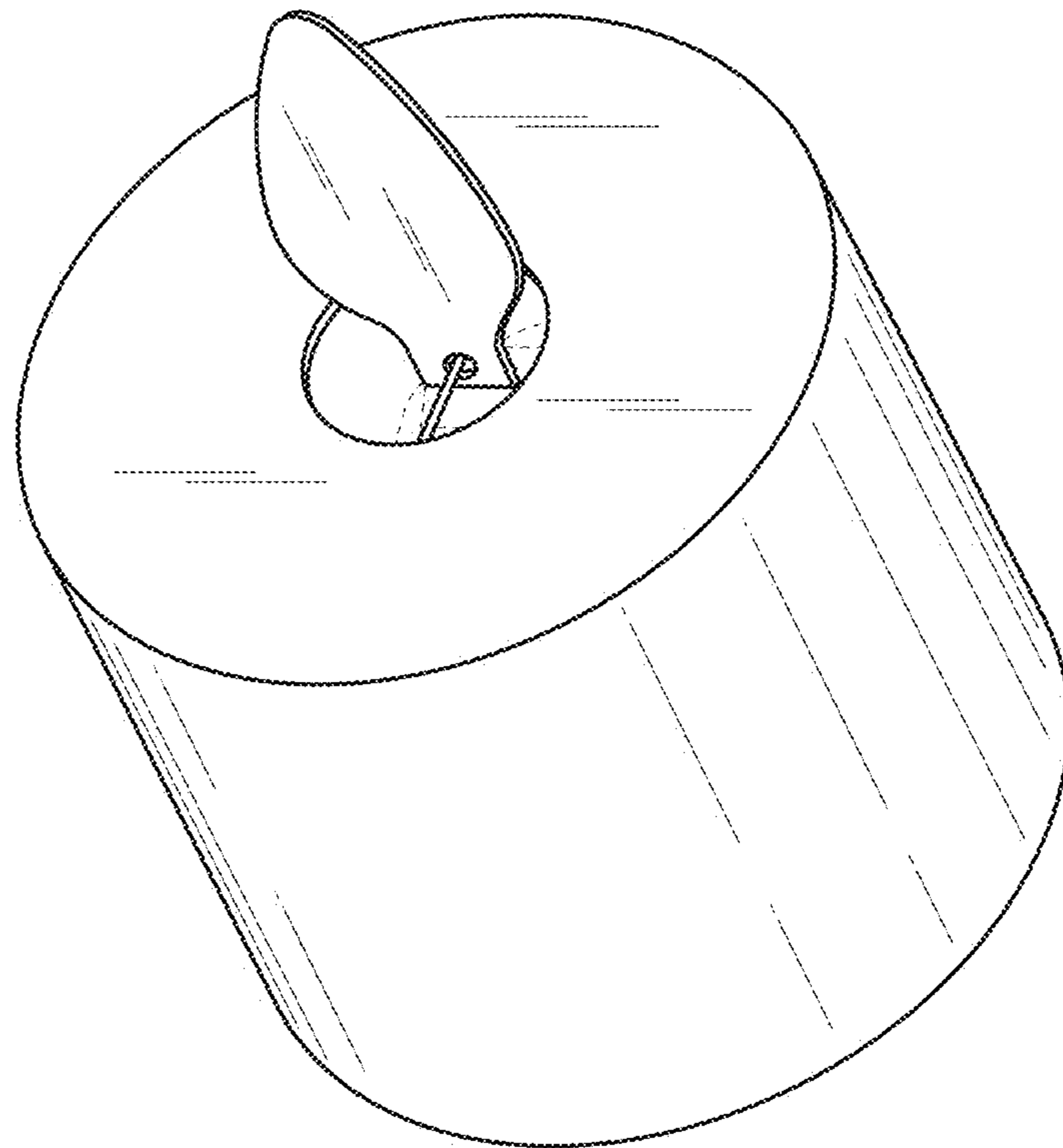


Fig. 6

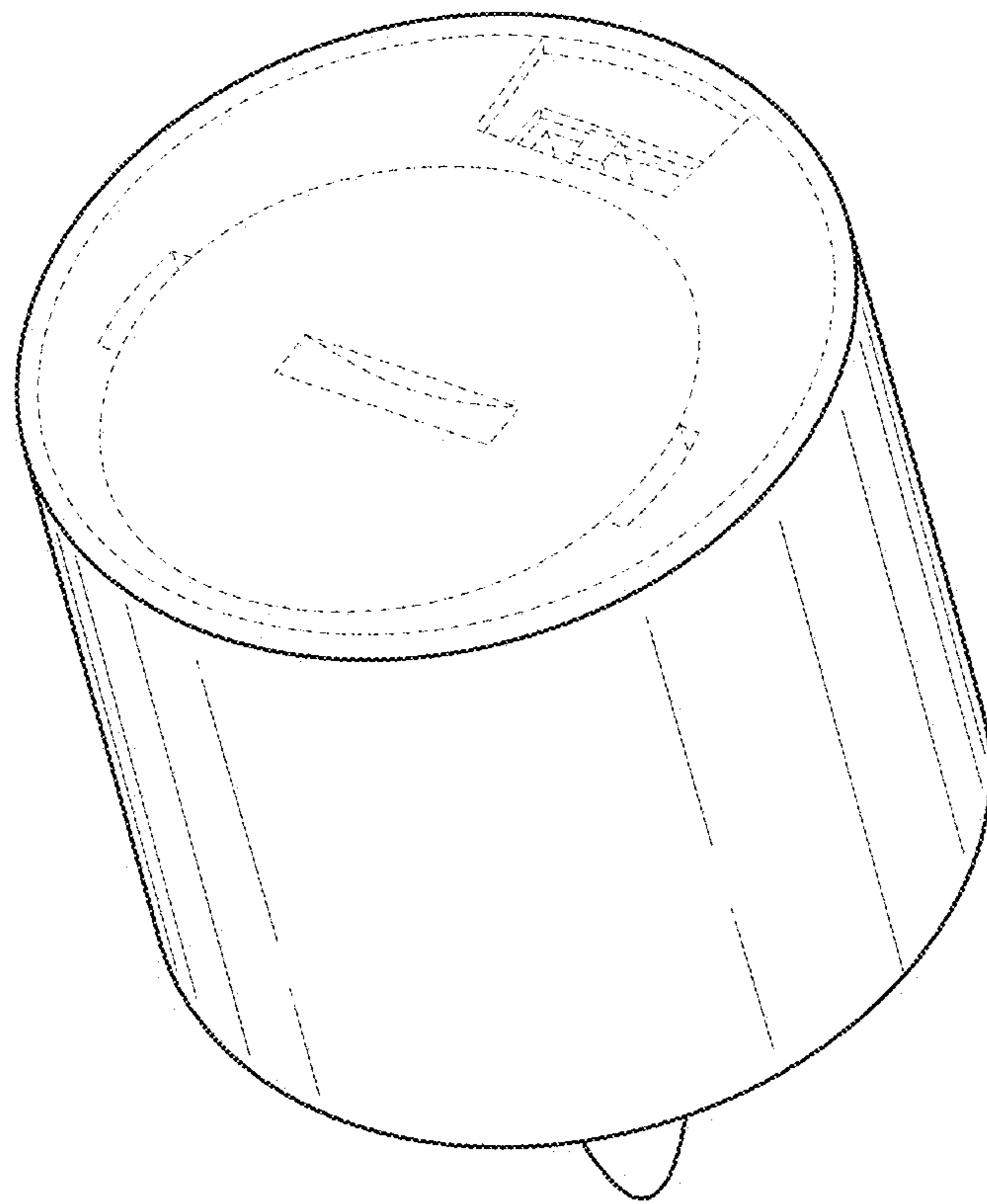


Fig. 7