



US00D757334S

(12) **United States Design Patent**
Johnson

(10) **Patent No.:** **US D757,334 S**

(45) **Date of Patent:** **** May 24, 2016**

(54) **UFO NIGHTLIGHT**

(71) Applicant: **CLOUD B, INC.**, Gardena, CA (US)

(72) Inventor: **Jeffery Wayne Johnson**, Lawndale, CA (US)

(73) Assignee: **CLOUD B, INC.**, Gardena, CA (US)

(**) Term: **14 Years**

(21) Appl. No.: **29/491,879**

(22) Filed: **May 27, 2014**

Related U.S. Application Data

(63) Continuation-in-part of application No. 29/446,415, filed on Feb. 22, 2013, now Pat. No. Des. 714,485.

(51) **LOC (10) Cl.** **26-03**

(52) **U.S. Cl.**
USPC **D26/94**

(58) **Field of Classification Search**
USPC D26/24, 93, 94; D11/131, 157, 163;
D21/398, 483, 533
CPC F21L 4/00; F21S 9/02; F21S 48/145;
F21S 6/00; F21S 8/08; F21S 4/005; F21V
21/30

See application file for complete search history.

(56) **References Cited**

U.S. PATENT DOCUMENTS

D276,750 S	*	12/1984	Beaver	D26/73
D397,488 S	*	8/1998	Ball et al.	D26/97
D433,769 S	*	11/2000	Liu	D26/104
D614,800 S	*	4/2010	Barbeau et al.	D26/97

* cited by examiner

Primary Examiner — Brian N Vinson

(74) *Attorney, Agent, or Firm* — Brooks Acordia IP Law, P.C.

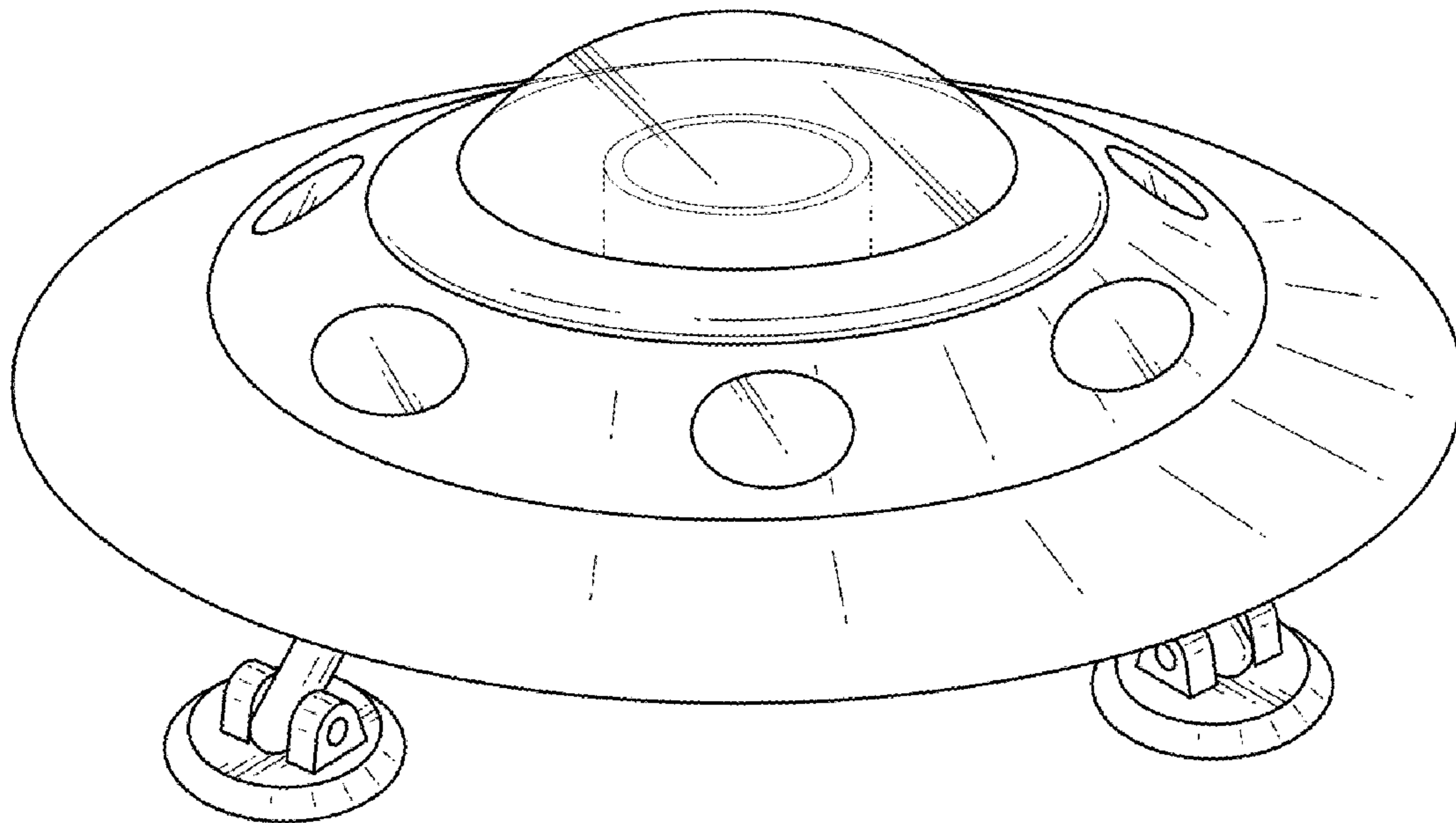
(57) **CLAIM**

The ornamental design for a UFO nightlight, as shown and described.

DESCRIPTION

FIG. 1 is a perspective elevation view of a UFO nightlight showing our new design;
FIG. 2 is a top plan view of the embodiment of FIG. 1;
FIG. 3 is a front plan view of the embodiment of FIG. 1;
FIG. 4 is a right plan view of the embodiment of FIG. 1;
FIG. 5 is a back plan view of the embodiment of FIG. 1; and, FIG. 6 is a bottom plan view of the embodiment of FIG. 1. The broken-line disclosure represents a portion of the night-light which forms no part of the claimed design. Surface shading is used to shade FIGS. 1-6 to show clearly the character and contour of all surfaces of the 3-dimensional aspects of the design and form a part of the design sought to be protected. The dome of FIGS. 1-6 is translucent. The left side is a mirror image of the right side depicted in FIG. 4.

1 Claim, 3 Drawing Sheets



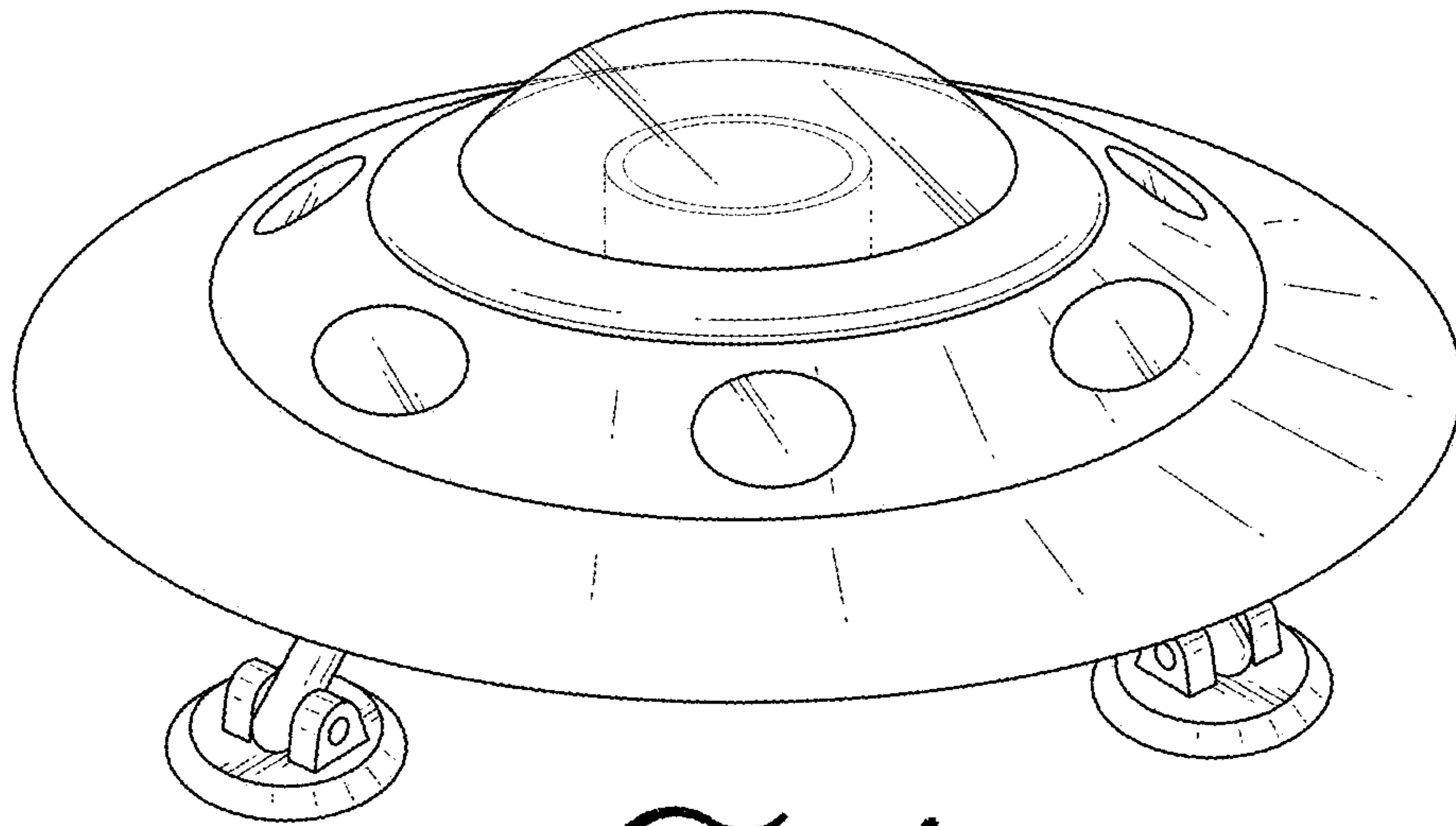


FIG. 1

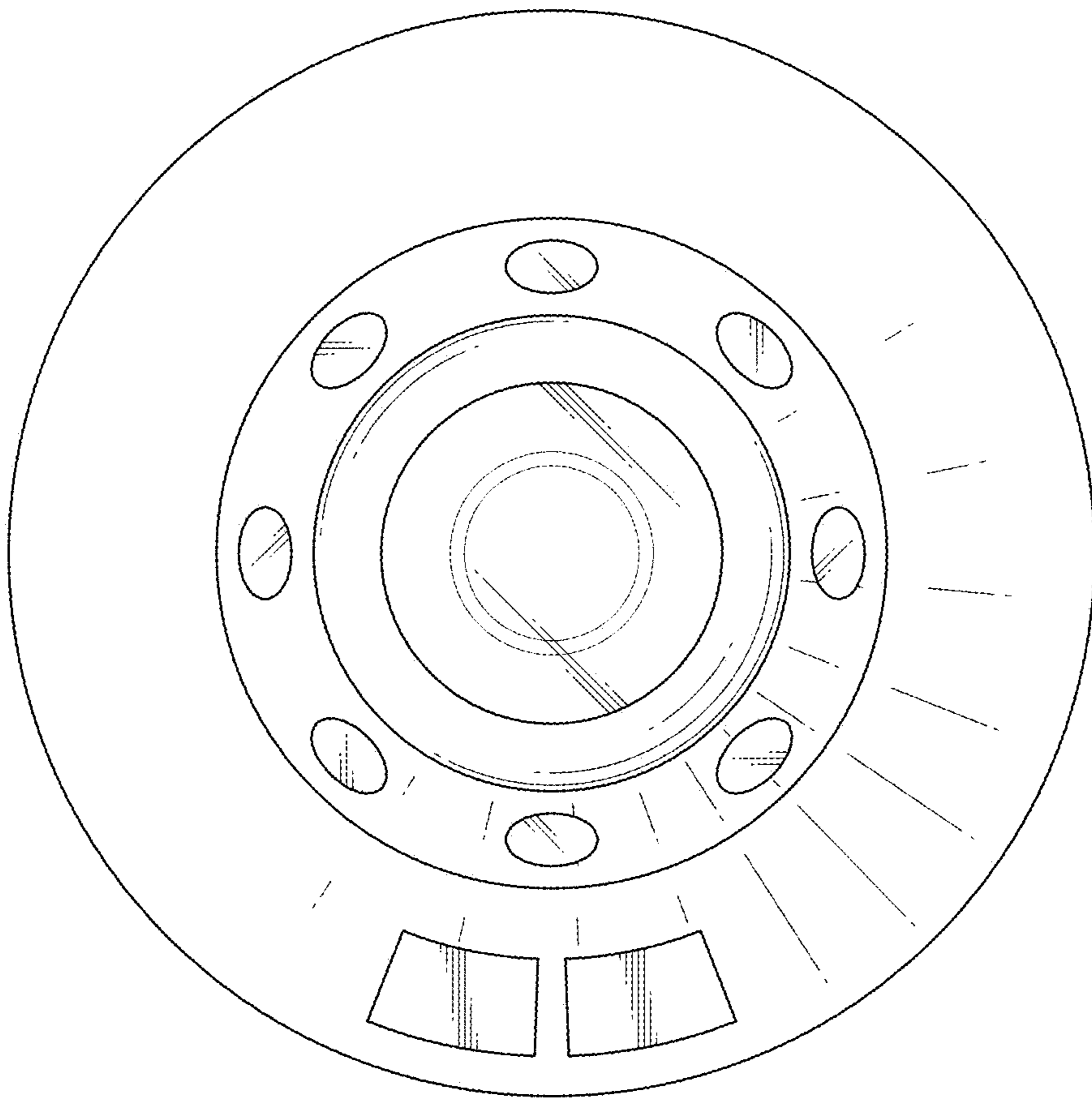


FIG. 2

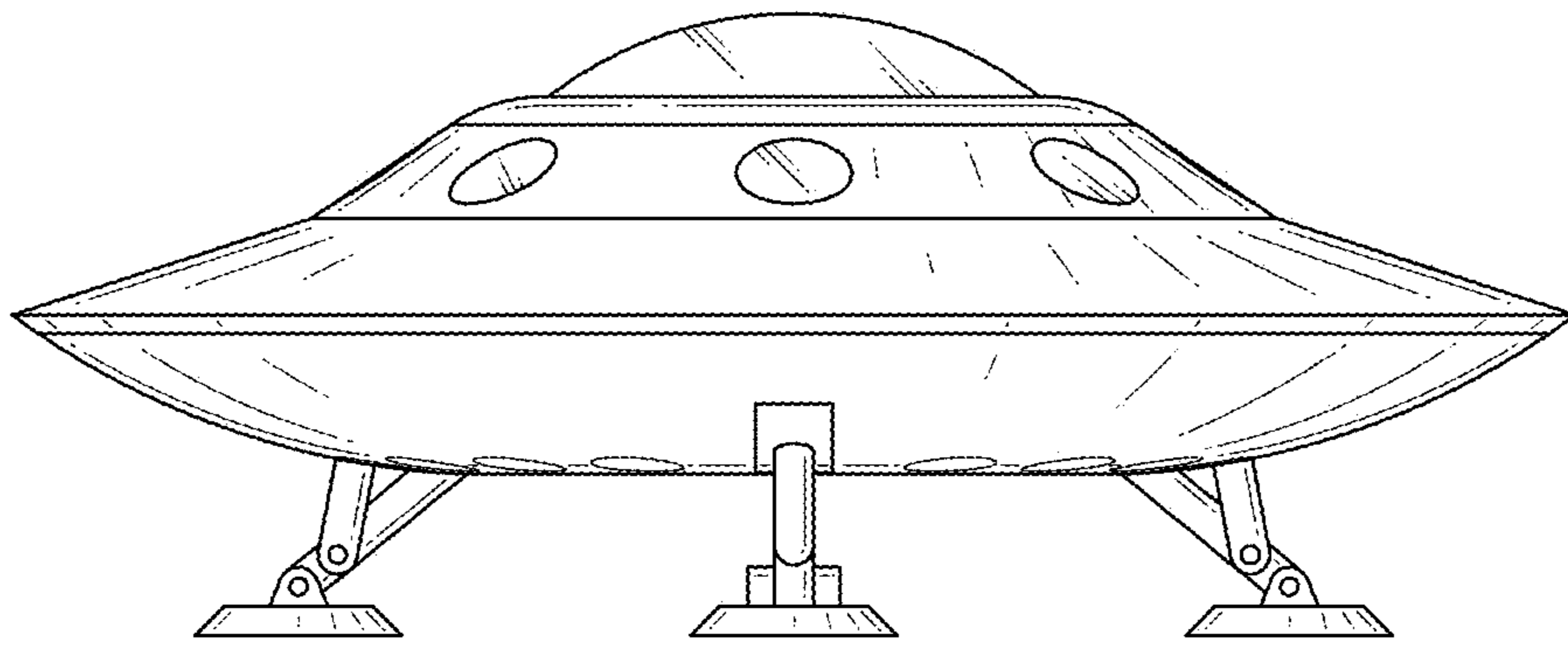


FIG. 3

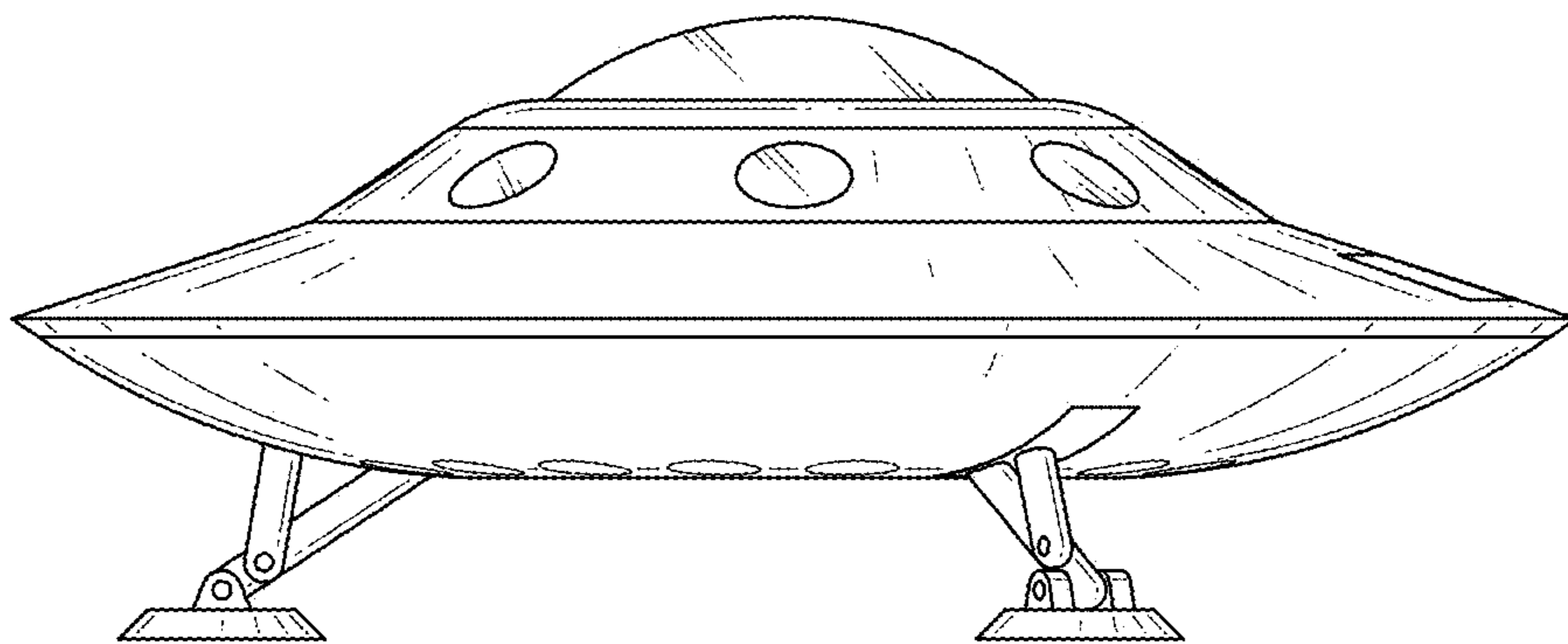


FIG. 4

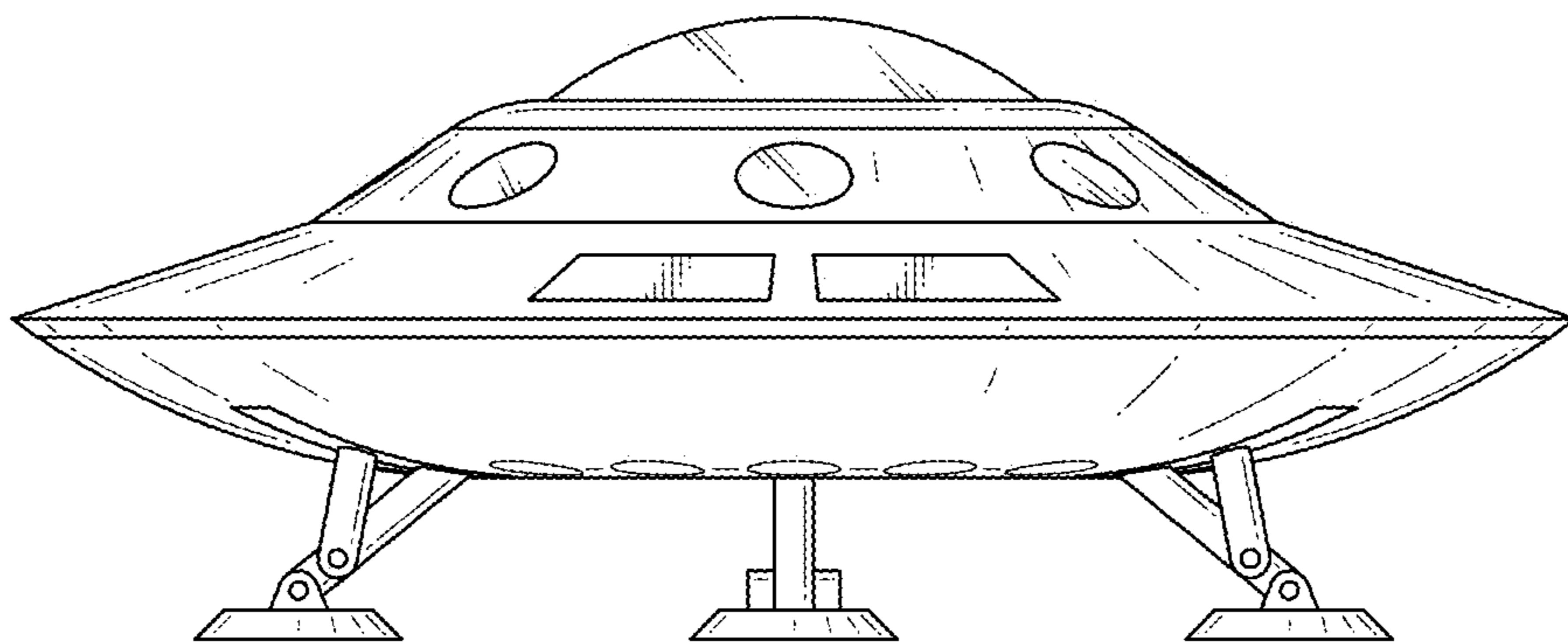


FIG. 5

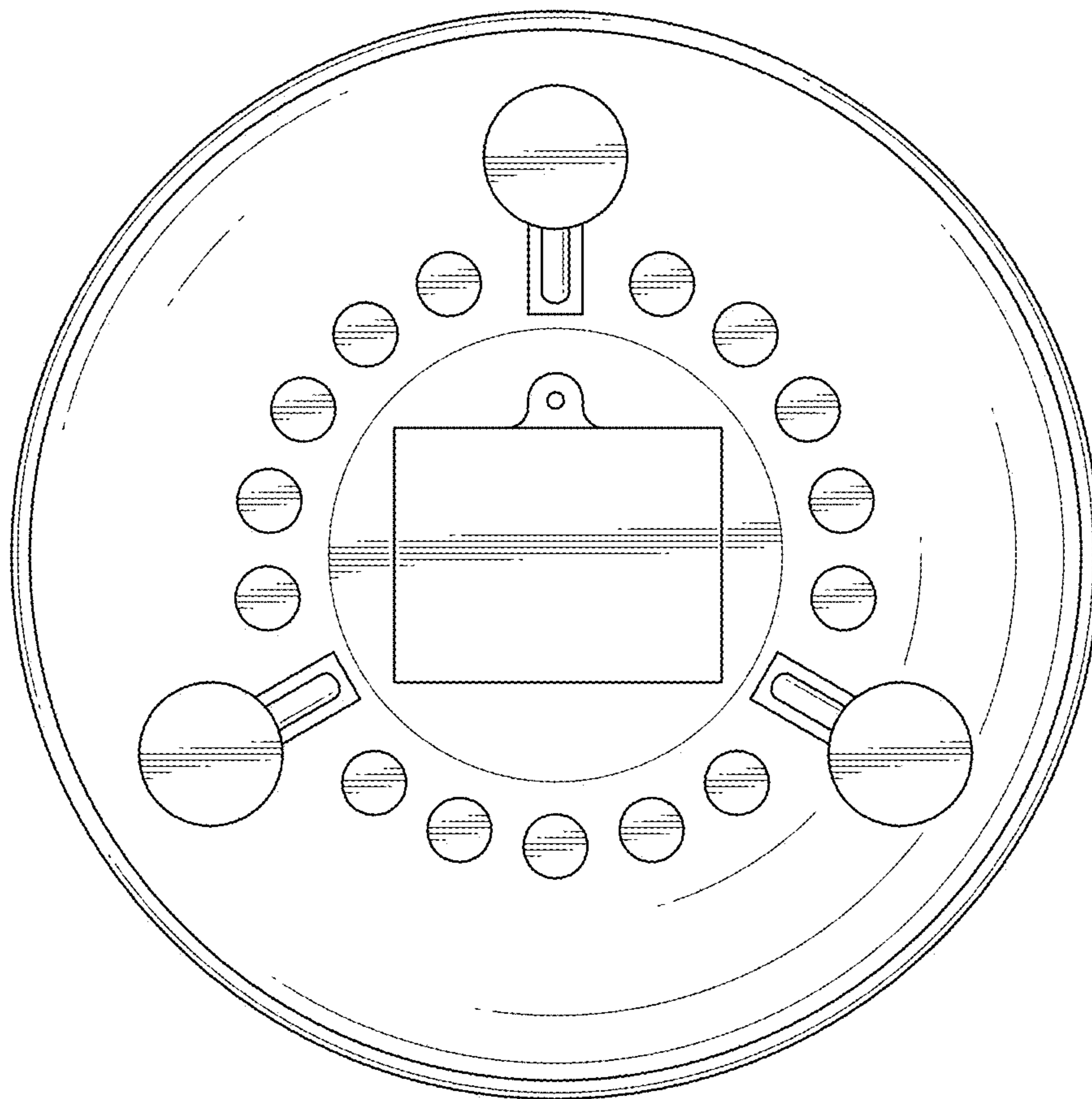


FIG. 6