

US00D757332S

(12) **United States Design Patent**
Sieczkowski

(10) **Patent No.:** **US D757,332 S**

(45) **Date of Patent:** **** May 24, 2016**

(54) **LIGHT FIXTURE**

(71) Applicant: **ABL IP Holding LLC**, Conyers, GA
(US)

(72) Inventor: **Philip Sieczkowski**, Lawrenceville, GA
(US)

(73) Assignee: **ABL IP Holding LLC**, Decatur, GA
(US)

(**) Term: **14 Years**

(21) Appl. No.: **29/515,917**

(22) Filed: **Jan. 28, 2015**

(51) **LOC (10) Cl.** **26-03**

(52) **U.S. Cl.**
USPC **D26/89; D26/85; D26/76**

(58) **Field of Classification Search**
USPC **D26/26, 28, 72, 76, 85, 89**
CPC **F21S 8/00; F21S 8/03; F21S 8/04;**
F21S 8/033; F21S 8/036; F21S 8/037; F21V
1/14; F21V 21/02; F21V 21/03; F21V 5/04;
F21W 2121/004; F21W 2111/08; F21W
2131/1005; F21W 2131/107; F21W 2131/402
See application file for complete search history.

(56) **References Cited**

U.S. PATENT DOCUMENTS

D175,188 S * 7/1955 Phillips D26/76
D180,536 S * 6/1957 Stevens D26/76

(Continued)

Primary Examiner — Clare E Hefflin

(74) *Attorney, Agent, or Firm* — Kilpatrick Townsend & Stockton, LLP

(57) **CLAIM**

The ornamental design for a light fixture, as shown and described.

DESCRIPTION

FIG. 1 is a bottom perspective view of a first embodiment of the light fixture.

FIG. 2 is a top perspective view of the light fixture of FIG. 1.

FIG. 3 is a right elevation view of the light fixture of FIG. 1.

FIG. 4 is left elevation view of the light fixture of FIG. 1.

FIG. 5 is a front end view of the light fixture of FIG. 1.

FIG. 6 is a rear end view of the light fixture of FIG. 1.

FIG. 7 is a top plan view of the light fixture of FIG. 1.

FIG. 8 is a bottom plan view of the light fixture of FIG. 1.

FIG. 9 is a bottom perspective view of a second embodiment of the light fixture.

FIG. 10 is a top perspective view of the light fixture of FIG. 9.

FIG. 11 is a right elevation view of the light fixture of FIG. 9.

FIG. 12 is left elevation view of the light fixture of FIG. 9.

FIG. 13 is a front end view of the light fixture of FIG. 9.

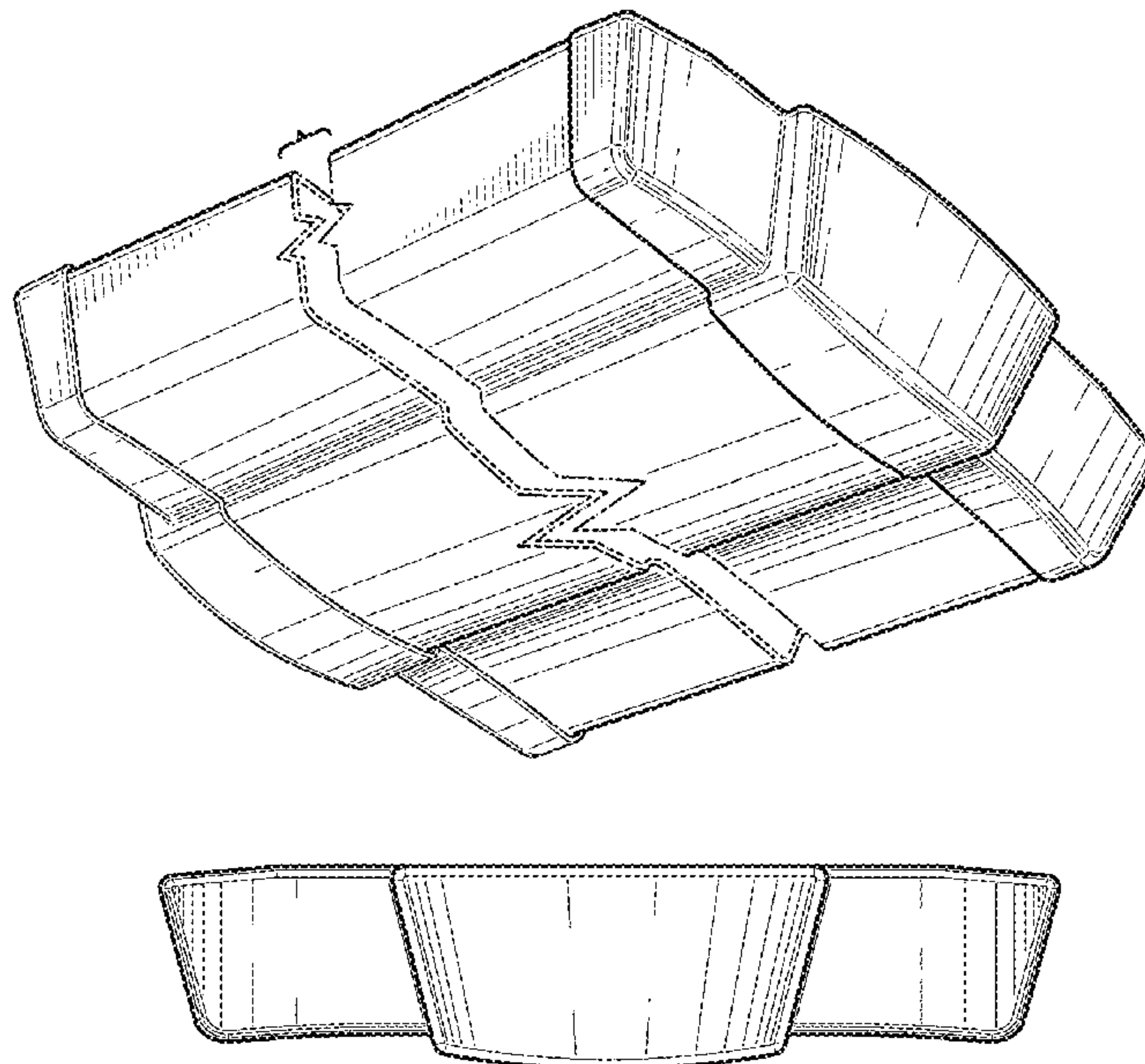
FIG. 14 is a rear end view of the light fixture of FIG. 9.

FIG. 15 is a top plan view of the light fixture of FIG. 9; and,

FIG. 16 is a bottom plan view of the light fixture of FIG. 9.

Portions or features of the light fixture not shown in the drawings form no part of the claimed design. The evenly dotted broken lines in the drawings define the boundaries of the unclaimed portions of the claimed design and form no part of the claimed design. The dash-dot-dash-dot broken lines in the drawings represent a symbolic break along the fixture length. The appearance of any portion of the light fixture between this break forms no part of the claimed design.

1 Claim, 7 Drawing Sheets



(56)

References Cited

U.S. PATENT DOCUMENTS

D182,986 S *	6/1958	Akely et al.	D26/76	D452,030 S *	12/2001	Collver	D26/76
D186,129 S *	9/1959	Spaulding	D26/76	D461,923 S *	8/2002	Chelf	72/89
D192,745 S	5/1962	Guth		D567,425 S *	4/2008	Yates	D26/76
D195,529 S *	6/1963	Florence	D26/76	D580,087 S *	11/2008	Couture	D26/76
D199,687 S	12/1964	Meyer		D587,834 S	3/2009	Möritz	
D200,548 S *	3/1965	Reeves	D26/76	D604,002 S	11/2009	Santoro	
D217,494 S *	5/1970	Dalton, Jr.	D26/76	D604,884 S	11/2009	Möritz	
D330,438 S *	10/1992	Herst	D26/76	D617,489 S	6/2010	Santoro	
D333,530 S *	2/1993	Bouandy	D26/74	D662,643 S	6/2012	Takahashi et al.	
D440,340 S *	4/2001	Tillman	D26/76	D669,204 S *	10/2012	Snell	D26/76
				D670,850 S	11/2012	Helenowski	
				D693,514 S *	11/2013	Mueller	D26/76
				D743,085 S *	11/2015	Stolte	D26/76

* cited by examiner

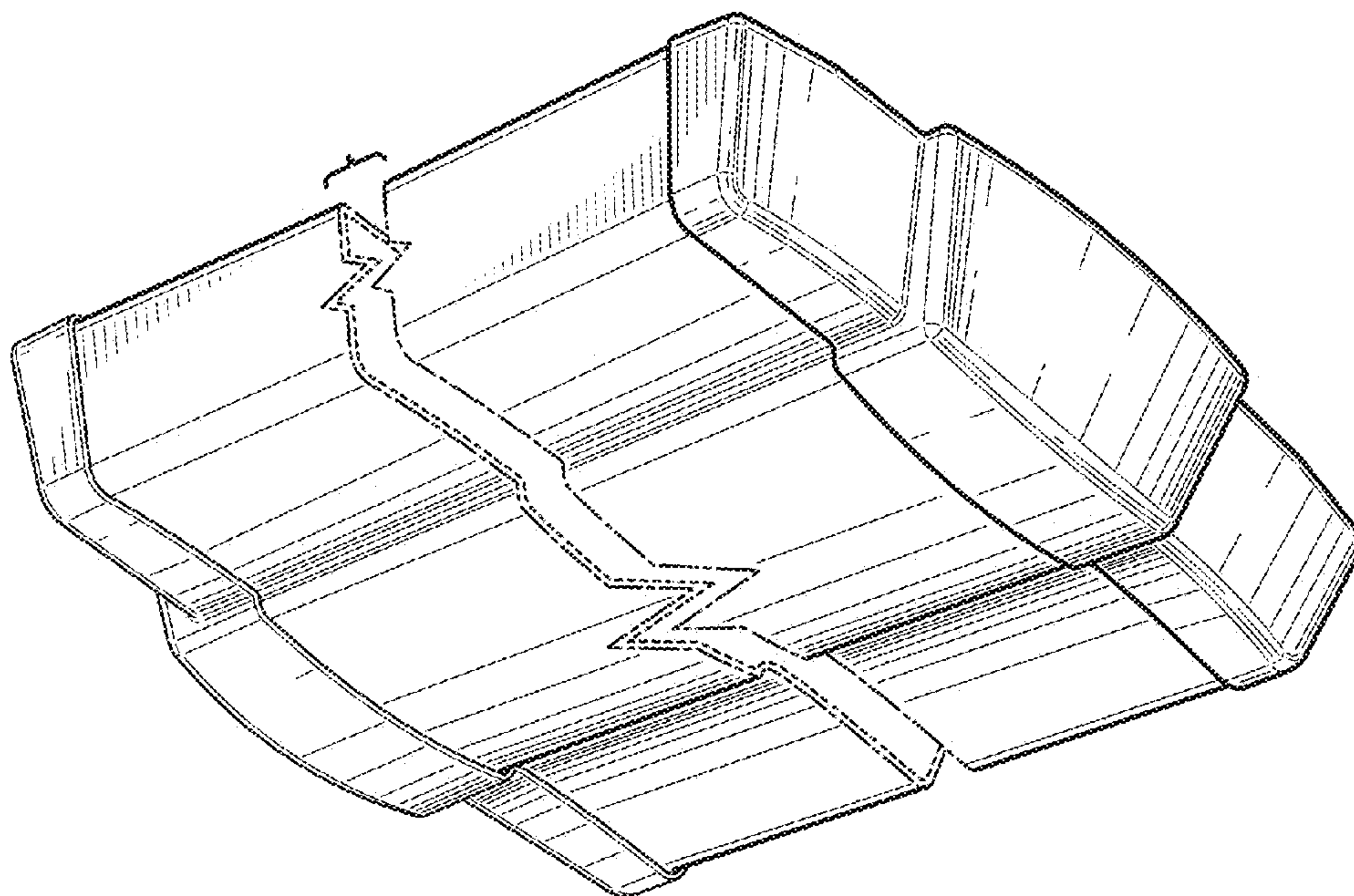


FIG. 1

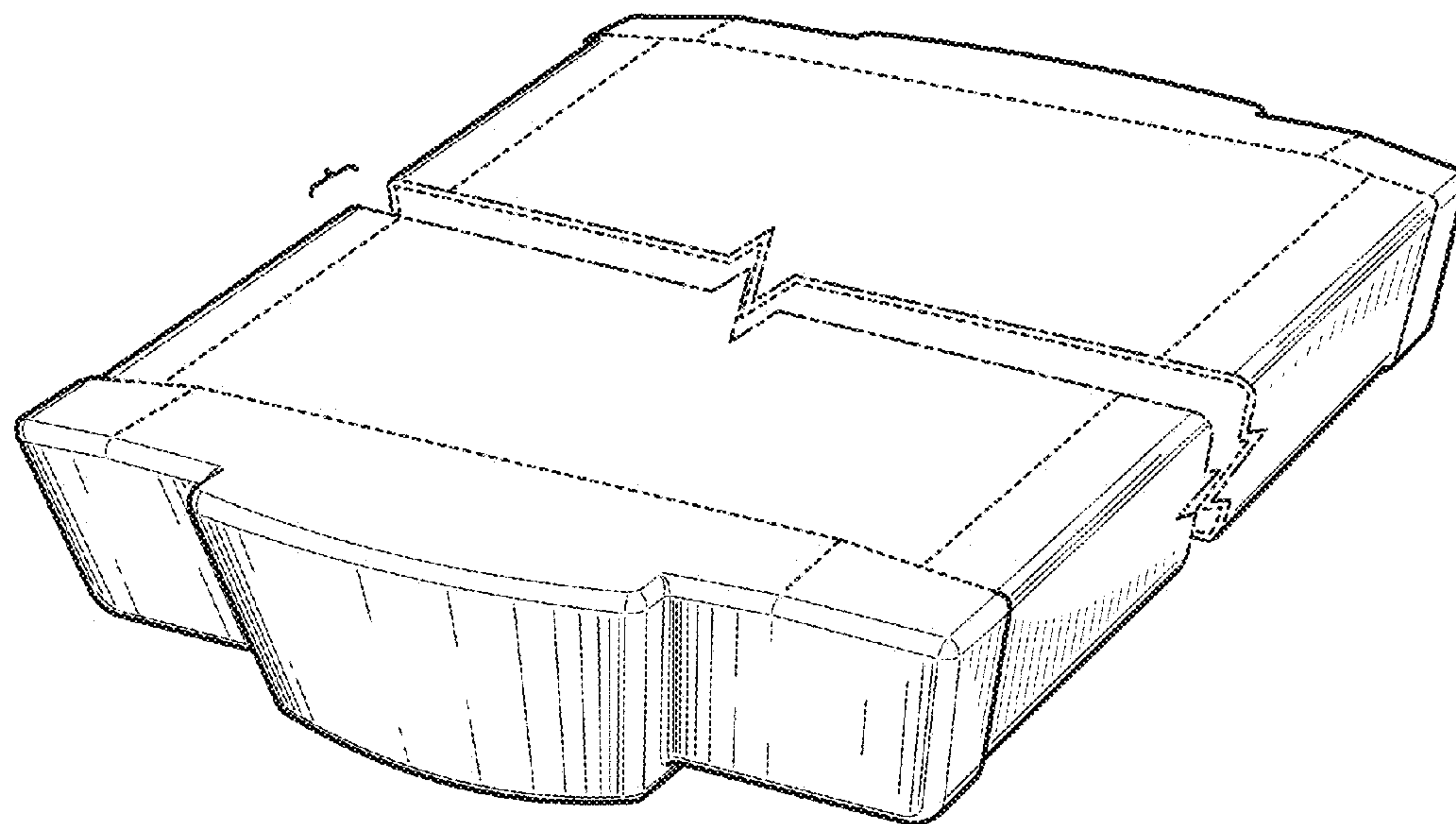


FIG. 2

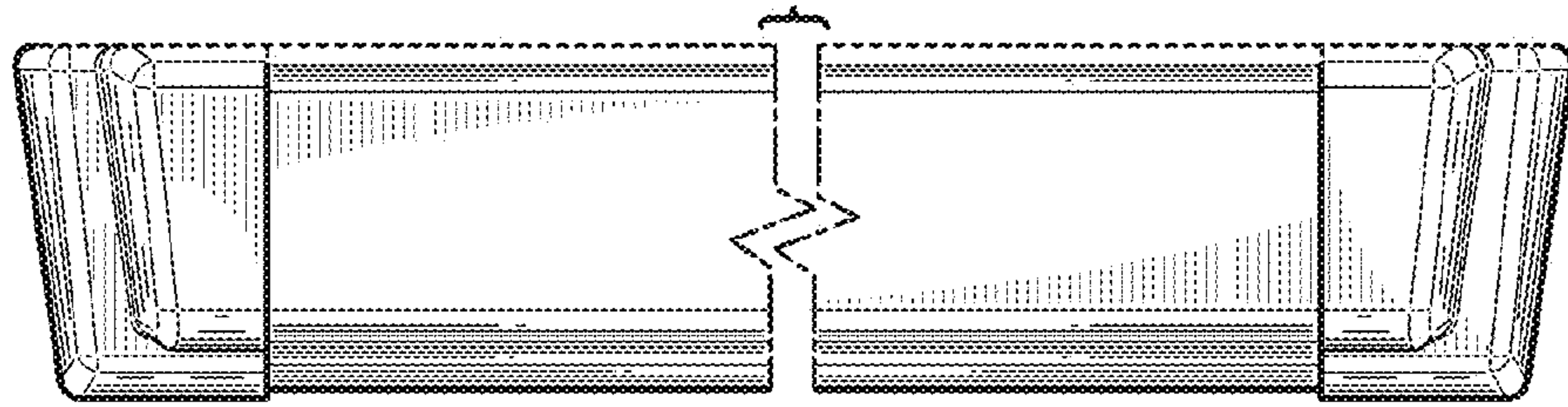


FIG. 3

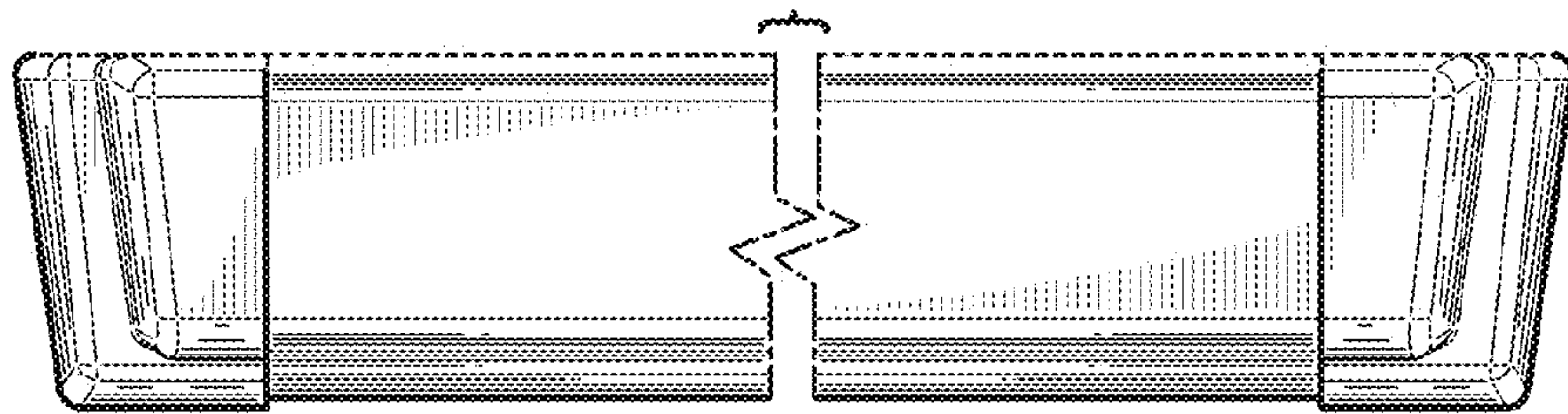


FIG. 4

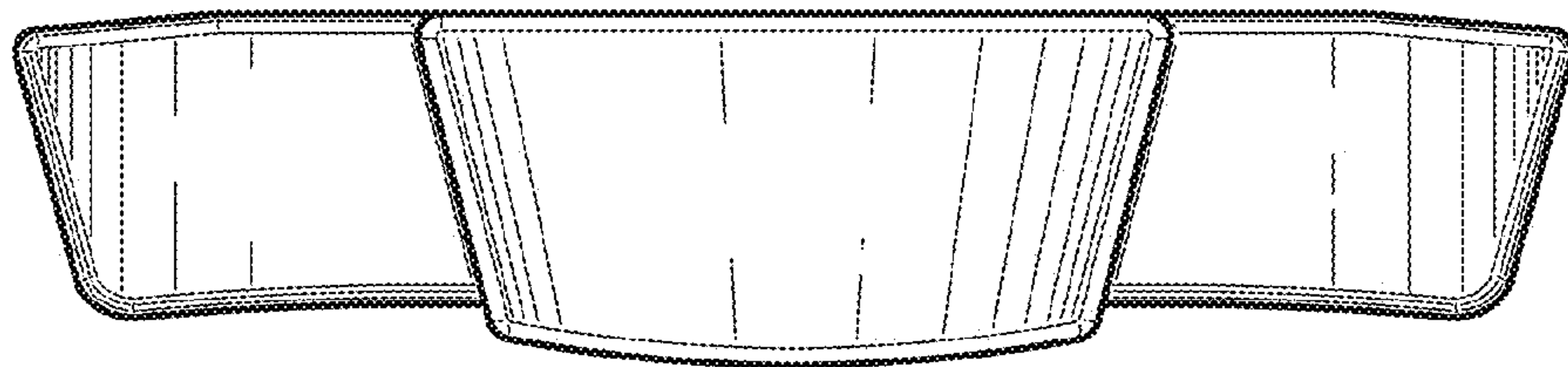


FIG. 5

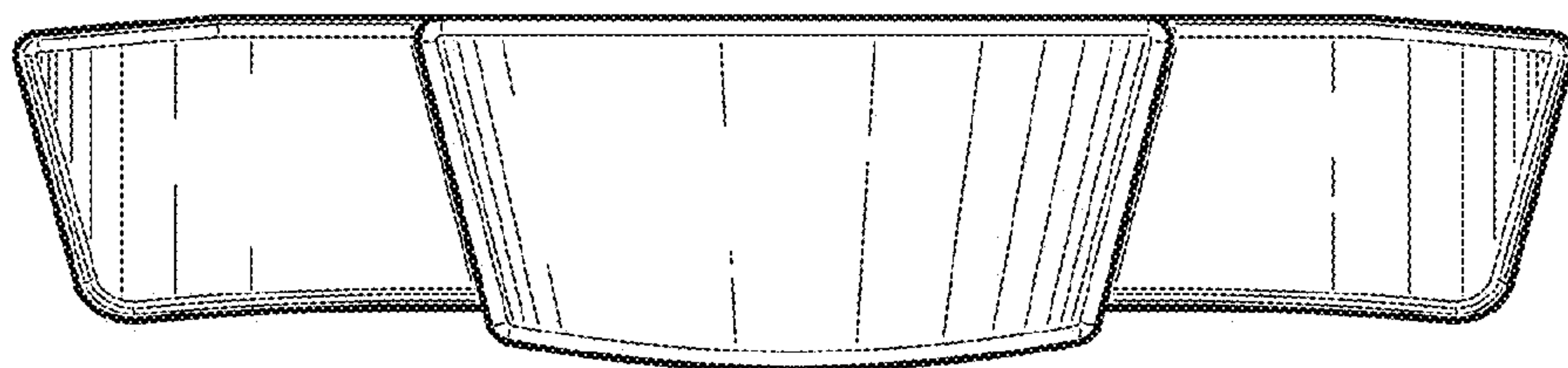


FIG. 6

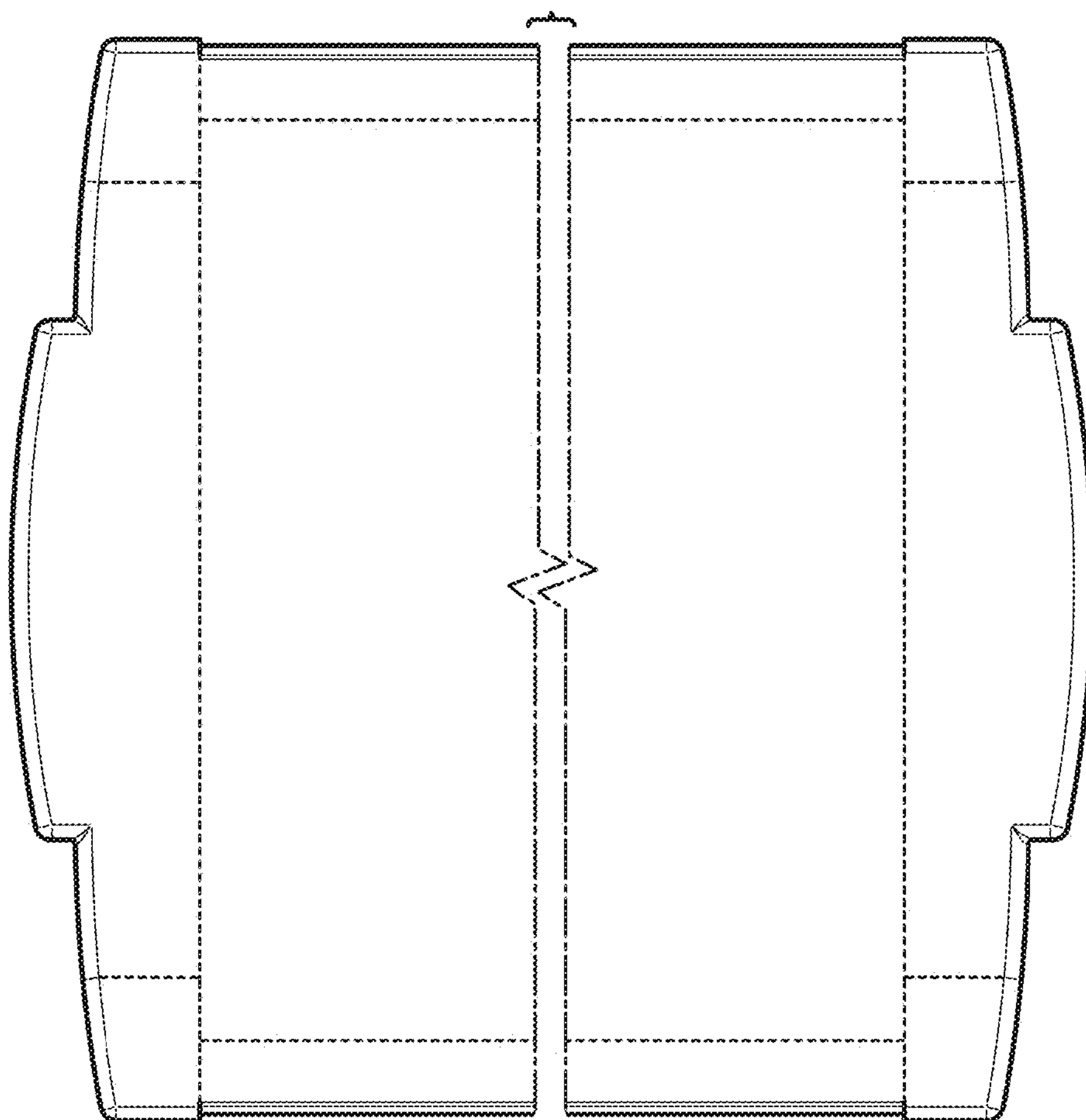


FIG. 7

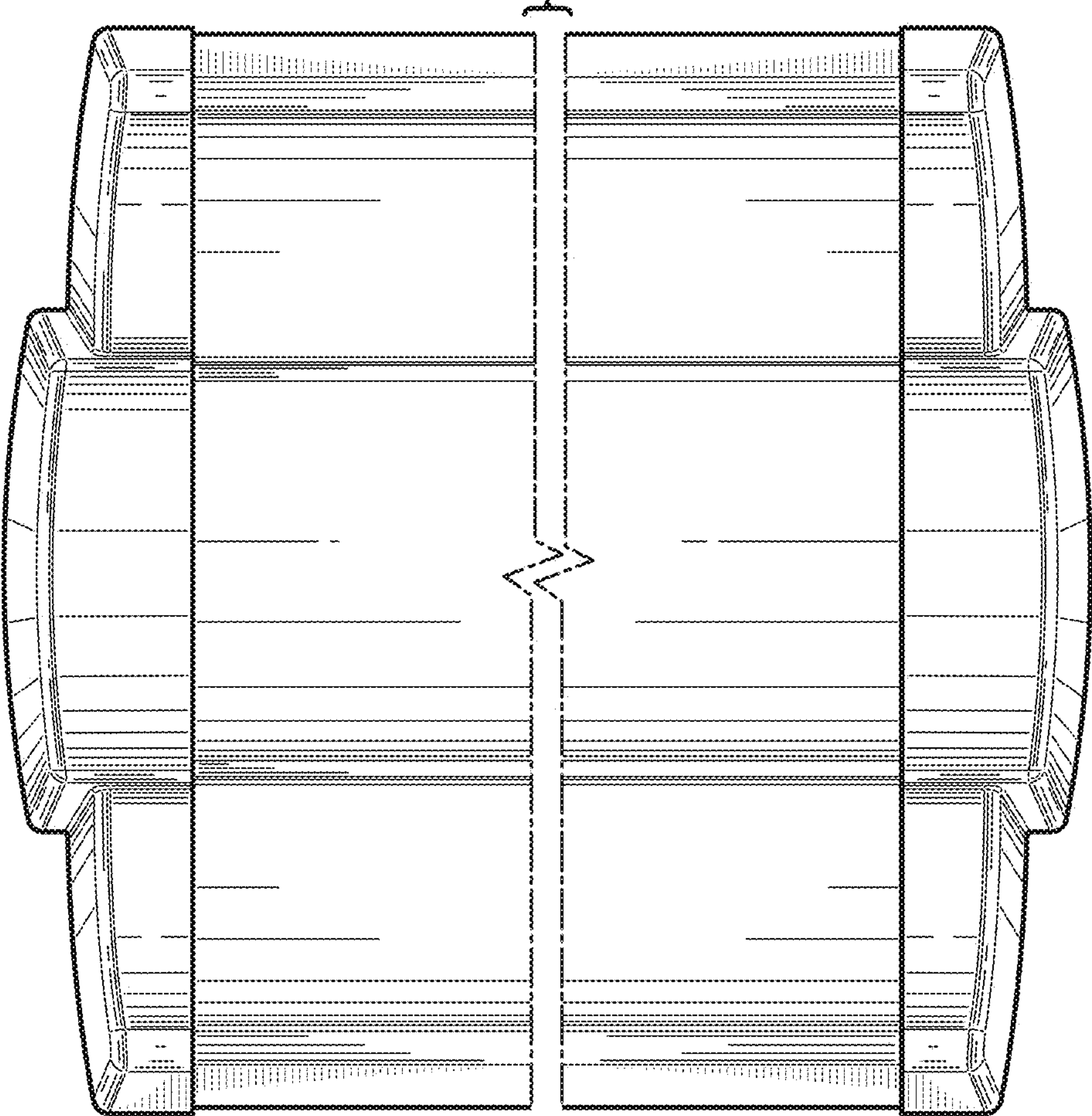


FIG. 8

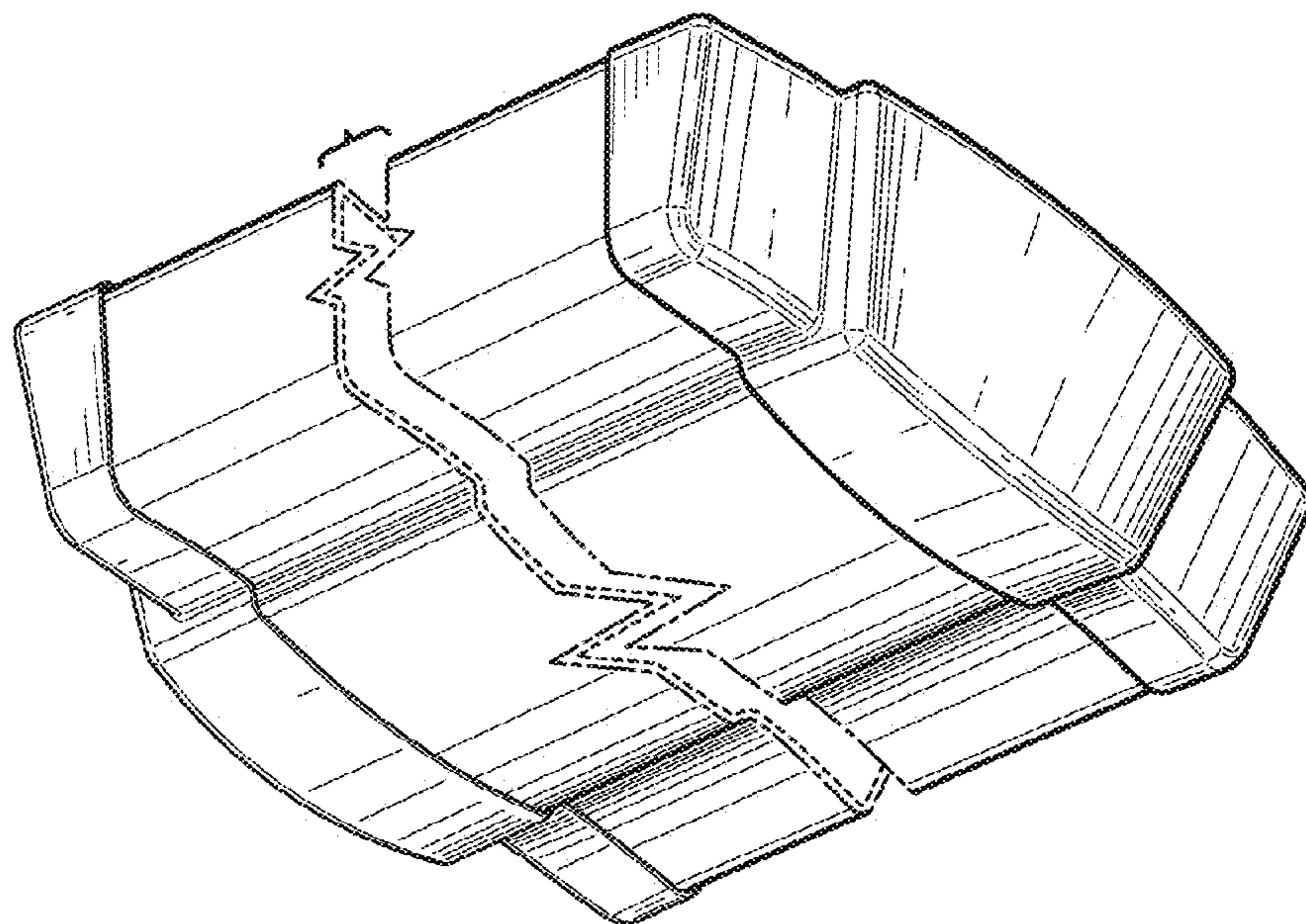


FIG. 9

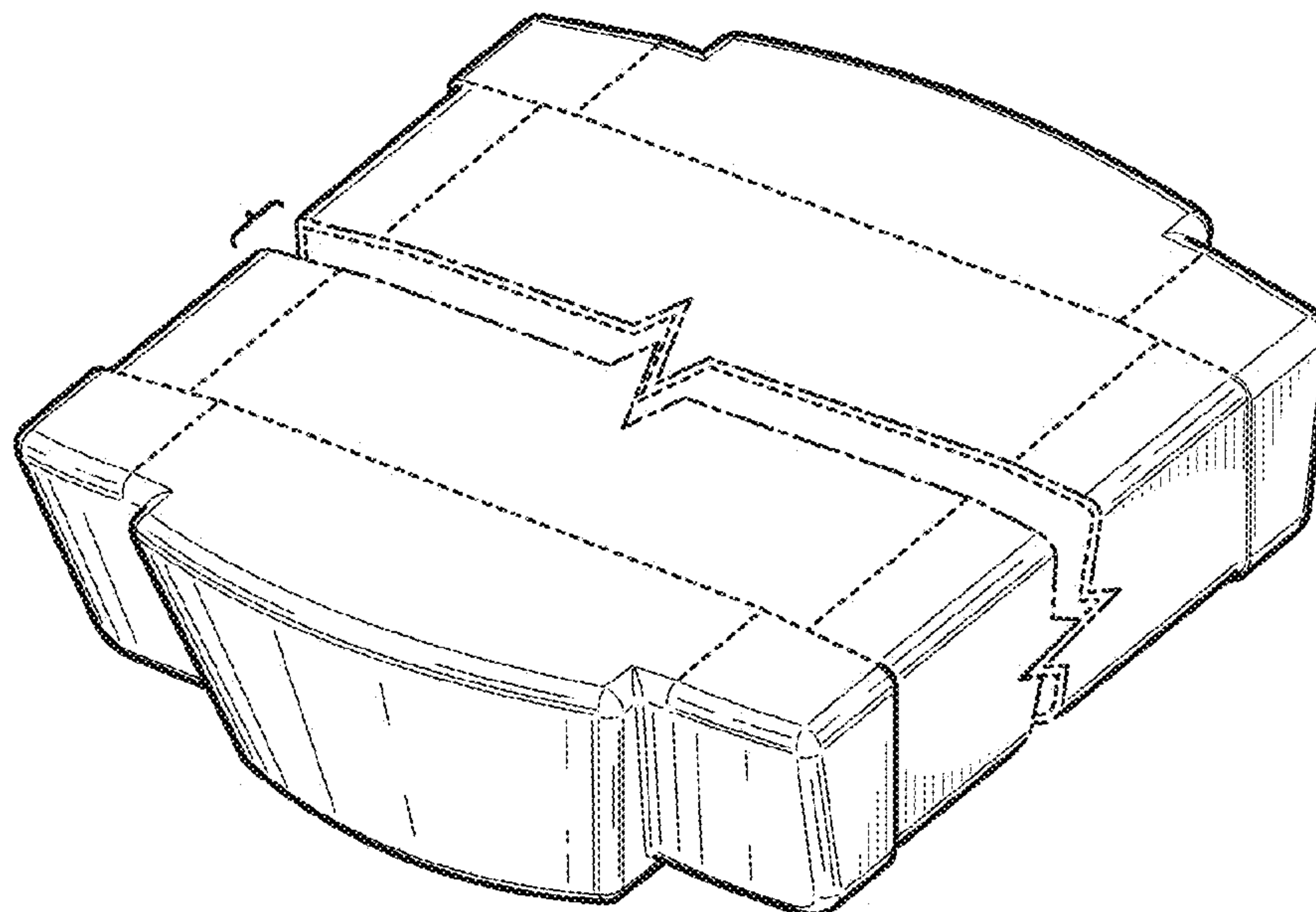


FIG. 10

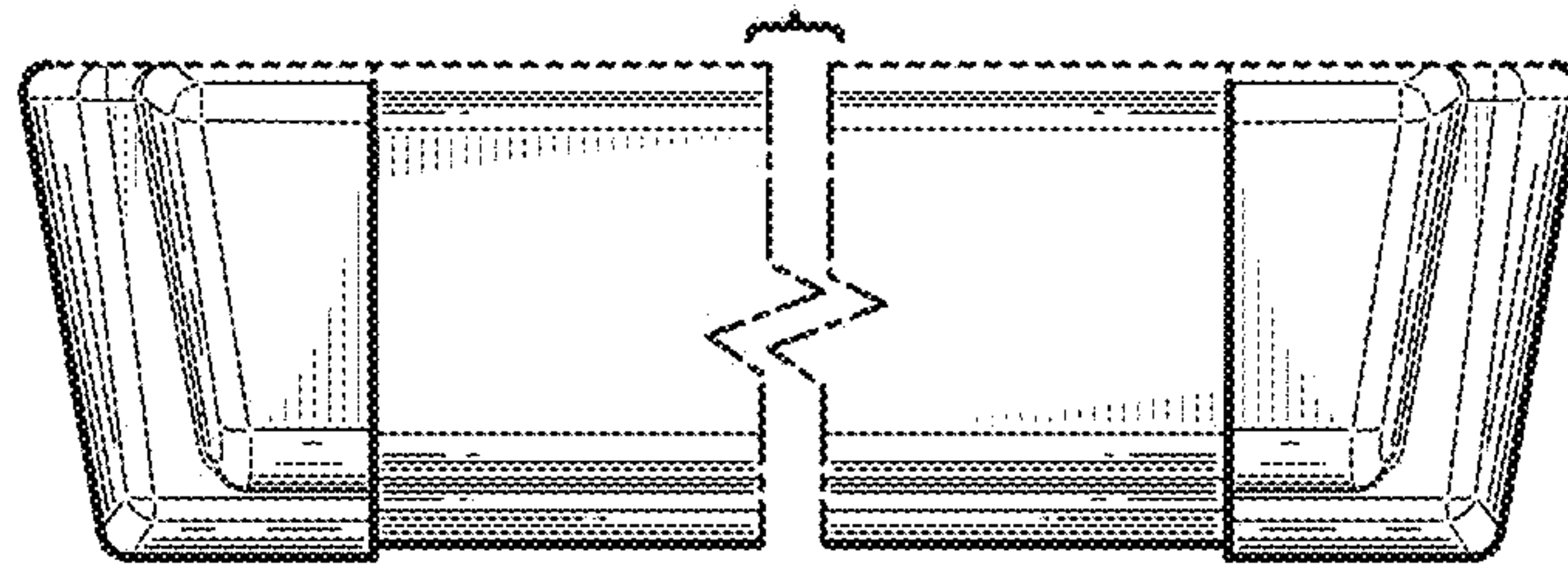


FIG. 11

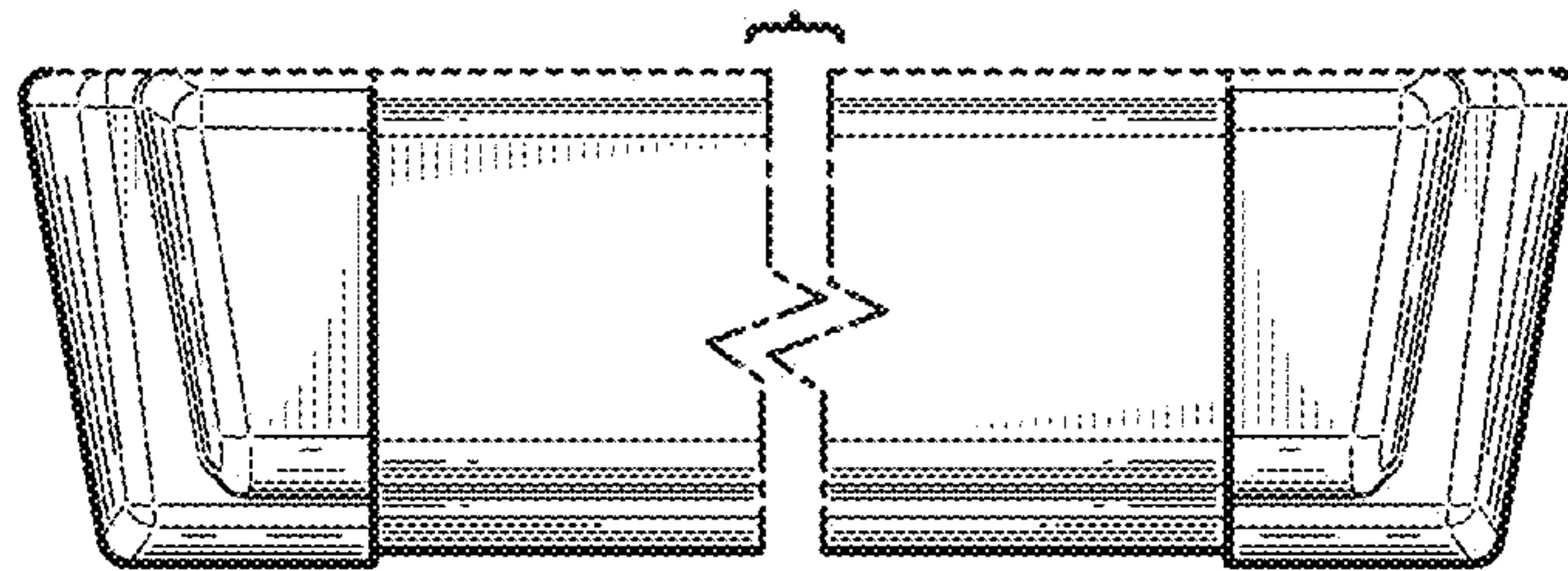


FIG. 12

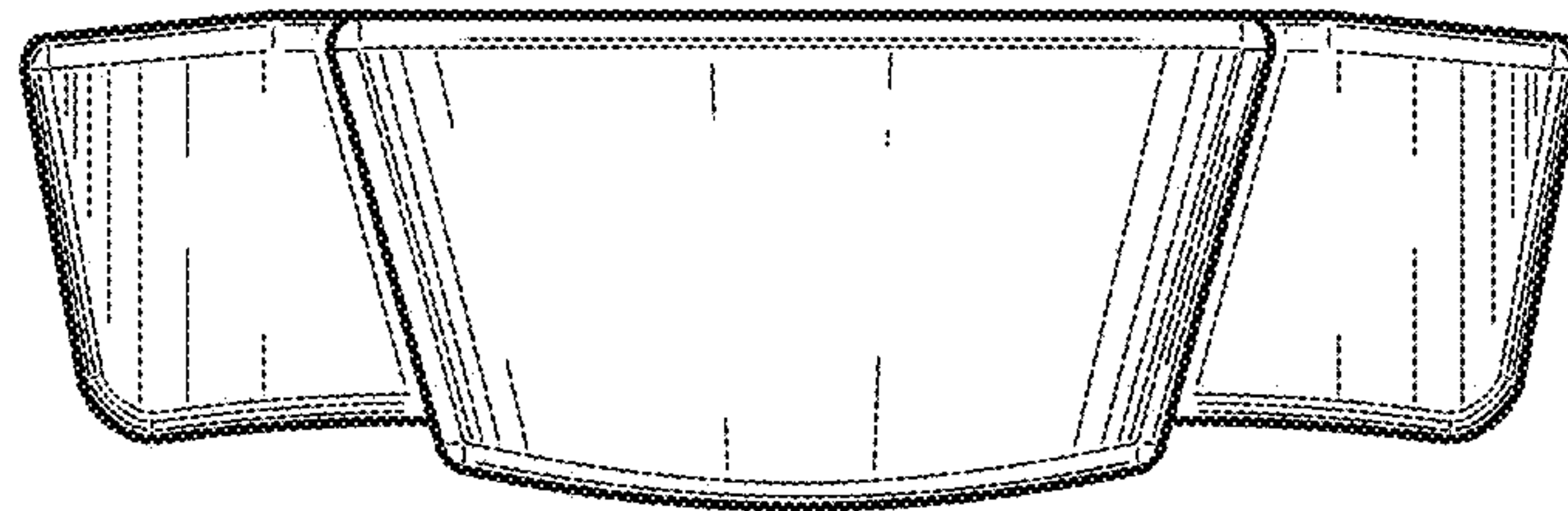


FIG. 13

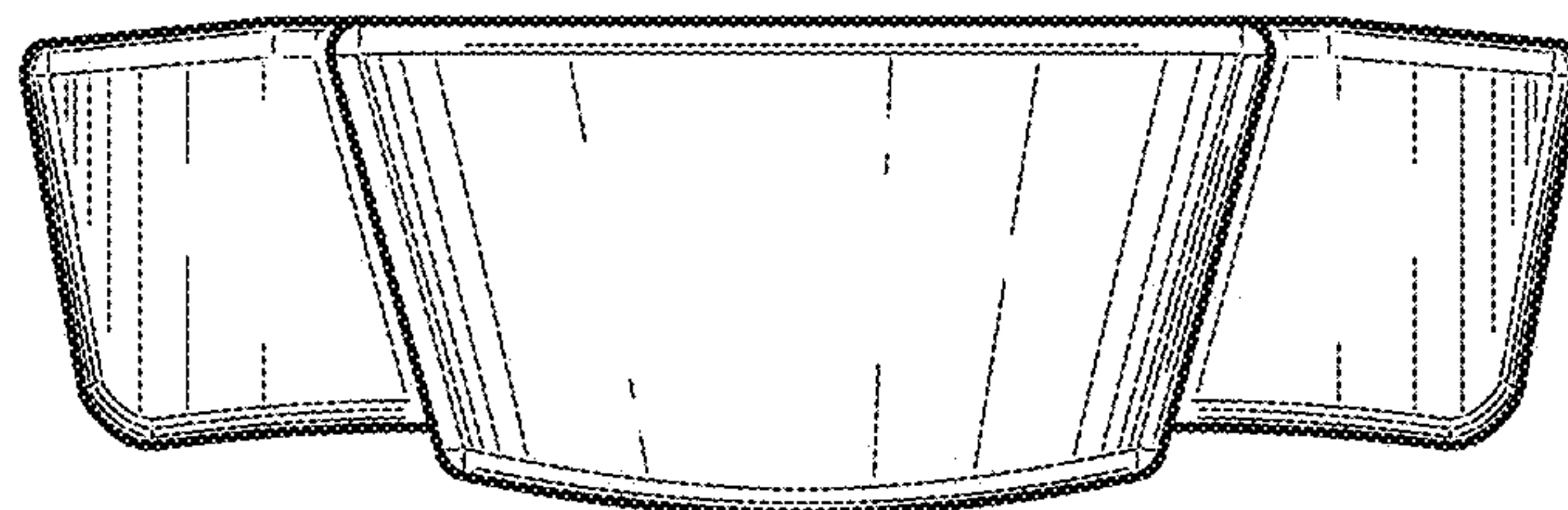


FIG. 14

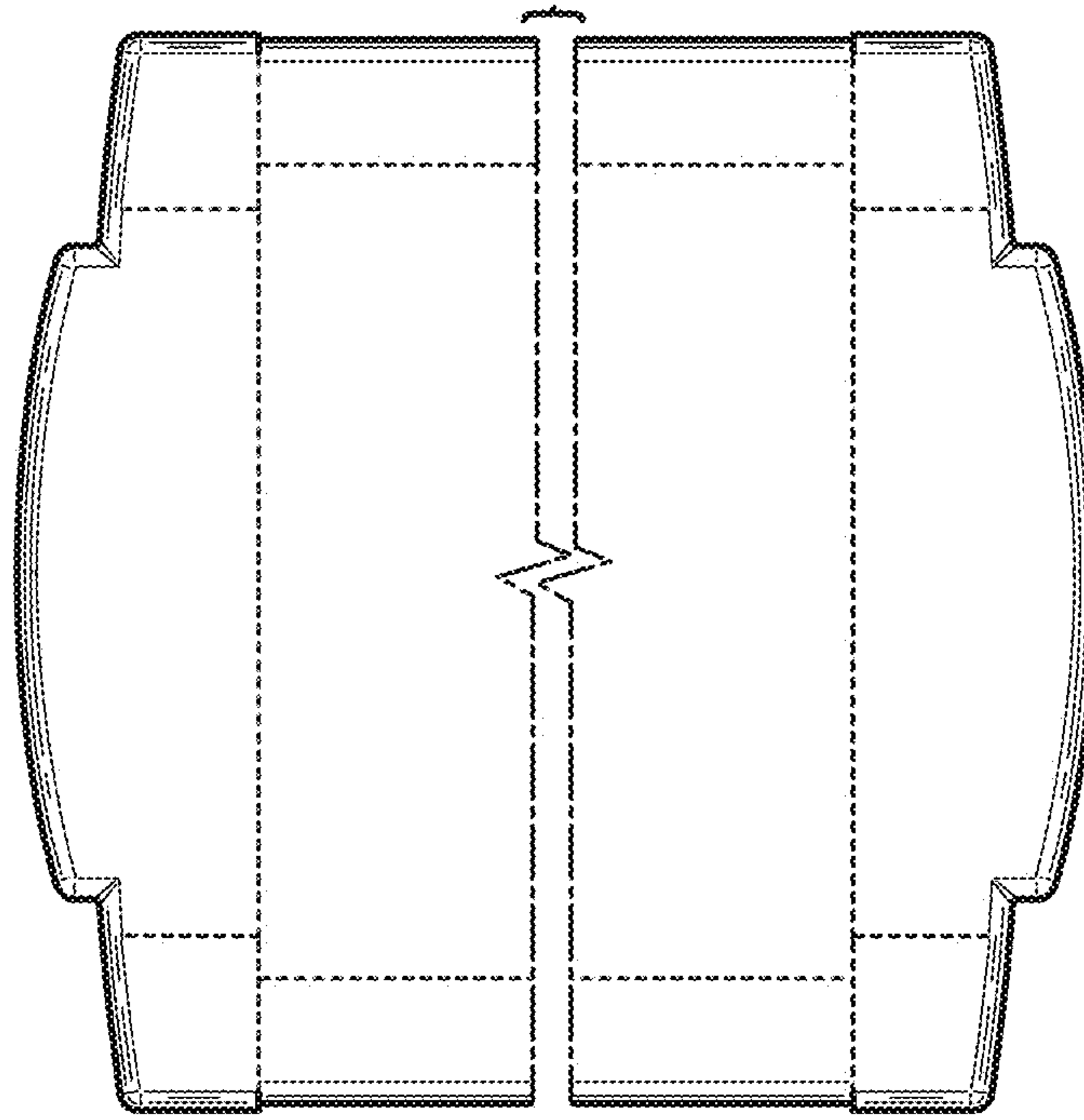


FIG. 15

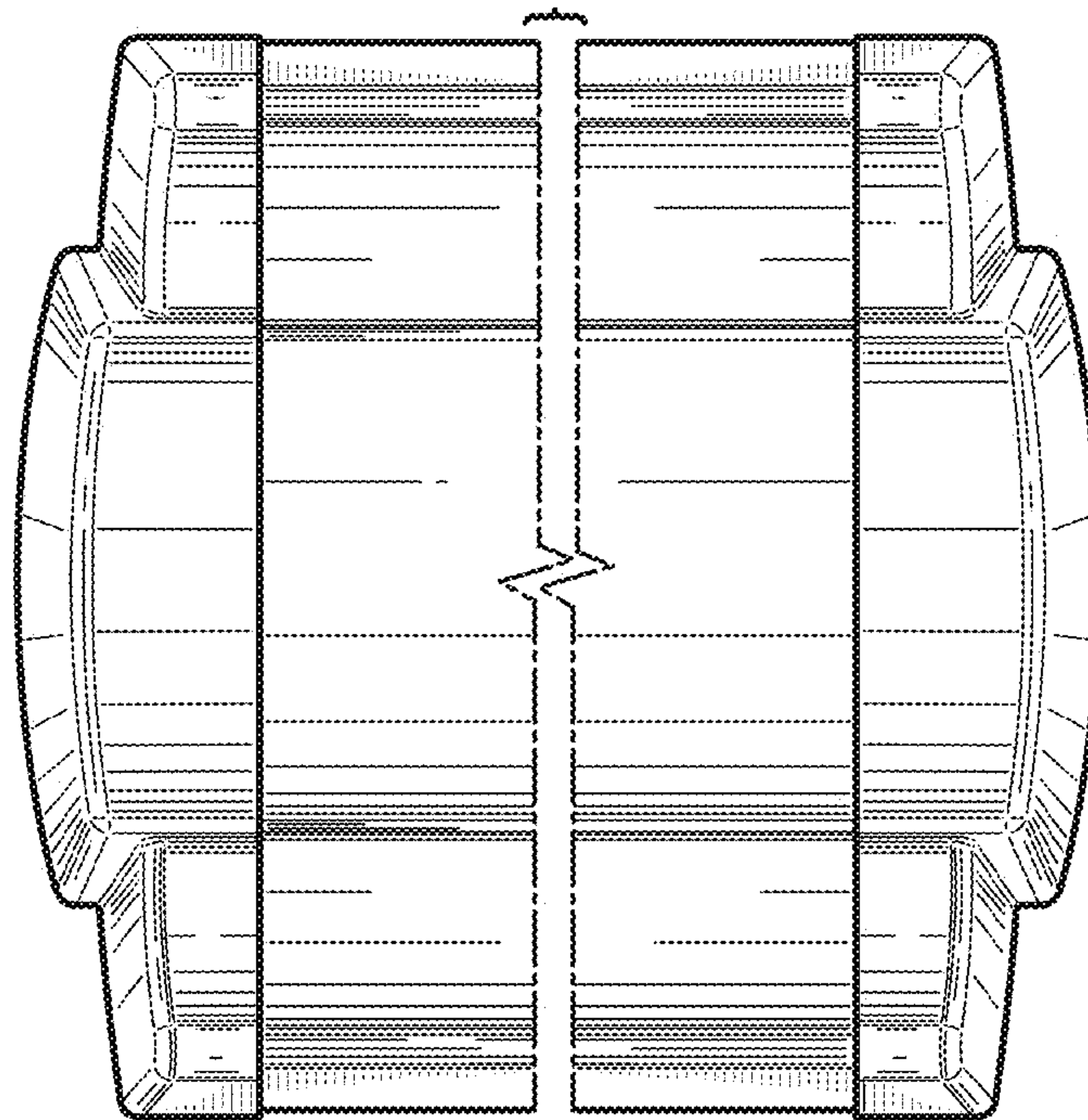


FIG. 16