



US00D757331S

(12) **United States Design Patent**  
**Sieczkowski**

(10) **Patent No.:** **US D757,331 S**

(45) **Date of Patent:** **\*\* May 24, 2016**

(54) **LIGHT FIXTURE**

(71) Applicant: **ABL IP Holding LLC**, Conyers, GA  
(US)

(72) Inventor: **Philip Sieczkowski**, Lawrenceville, GA  
(US)

(73) Assignee: **ABL IP Holding LLC**, Decatur, GA  
(US)

(\*\*) Term: **14 Years**

(21) Appl. No.: **29/515,911**

(22) Filed: **Jan. 28, 2015**

(51) **LOC (10) Cl.** ..... **26-03**

(52) **U.S. Cl.**  
USPC ..... **D26/89; D26/85; D26/76**

(58) **Field of Classification Search**  
USPC ..... **D26/26, 28, 72, 76, 85, 89**  
CPC ..... **F21S 8/00; F21S 8/03; F21S 8/04;**  
**F21S 8/033; F21S 8/036; F21S 8/037; F21V**  
**1/14; F21V 21/02; F21V 21/03; F21V 5/04;**  
**F21W 2121/004; F21W 2111/08; F21W**  
**2131/1005; F21W 2131/107; F21W 2131/402**  
See application file for complete search history.

(56) **References Cited**

**U.S. PATENT DOCUMENTS**

D122,582 S \* 9/1940 Biller ..... D26/76  
D123,761 S 12/1940 Pieper

(Continued)

*Primary Examiner* — Clare E Hefflin

(74) *Attorney, Agent, or Firm* — Kilpatrick Townsend & Stockton, LLP

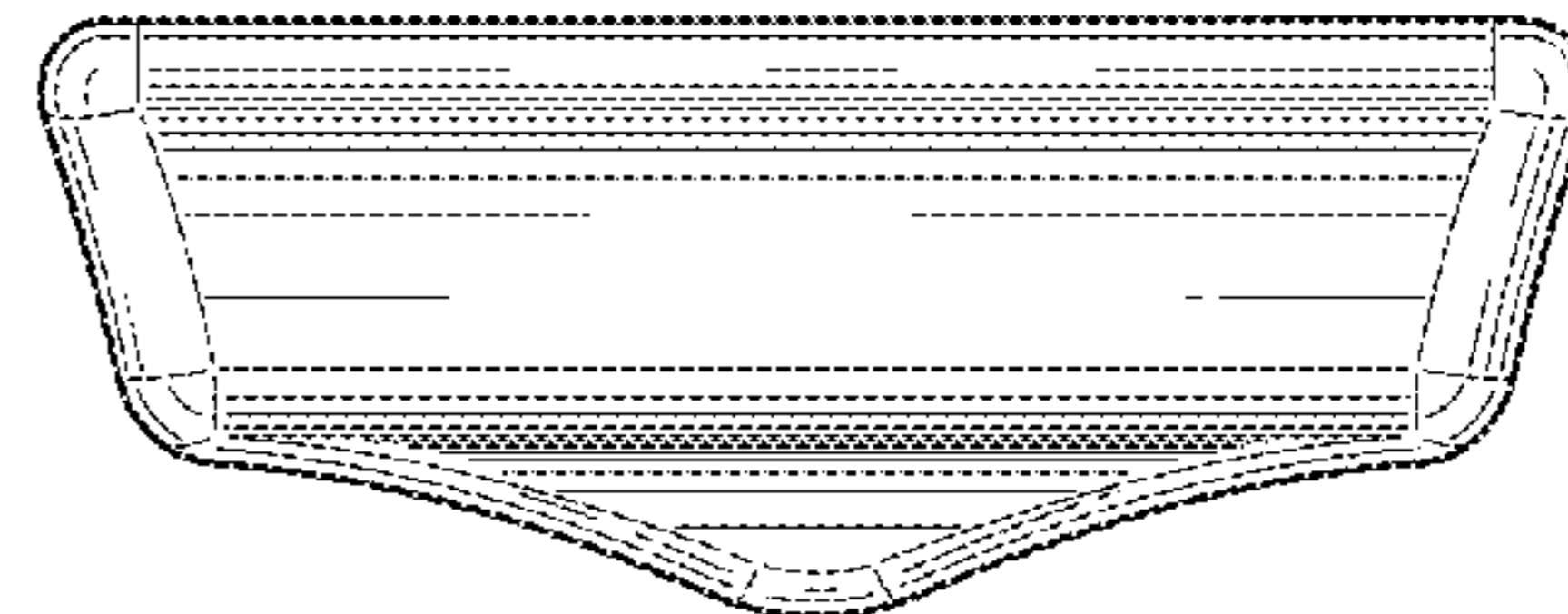
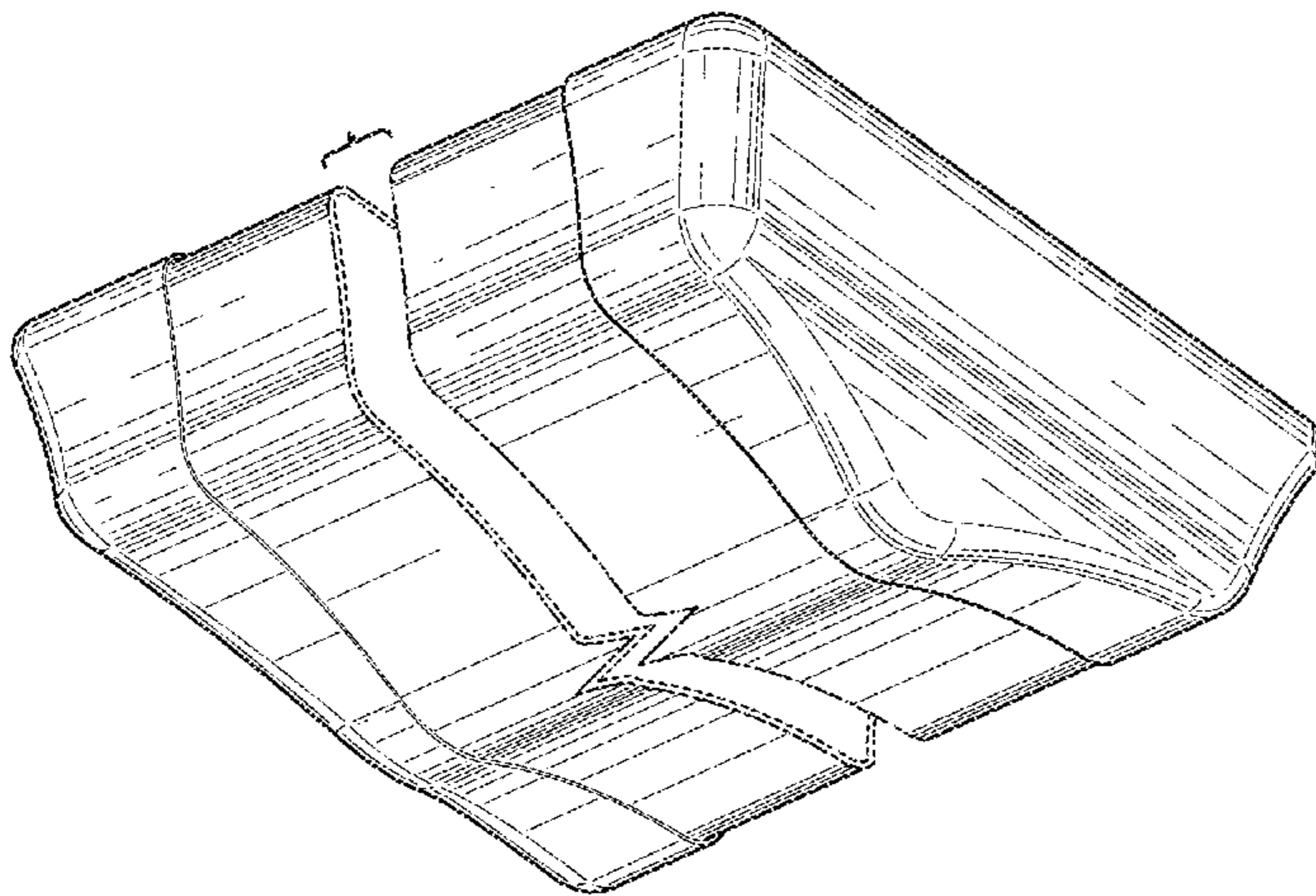
(57) **CLAIM**

The ornamental design for a light fixture, as shown and described.

**DESCRIPTION**

FIG. 1 is a bottom perspective view of a first embodiment of the light fixture.  
FIG. 2 is a top perspective view of the light fixture of FIG. 1.  
FIG. 3 is a right elevation view of the light fixture of FIG. 1.  
FIG. 4 is left elevation view of the light fixture of FIG. 1.  
FIG. 5 is a front end view of the light fixture of FIG. 1.  
FIG. 6 is a rear end view of the light fixture of FIG. 1.  
FIG. 7 is a top plan view of the light fixture of FIG. 1.  
FIG. 8 is a bottom plan view of the light fixture of FIG. 1.  
FIG. 9 is a bottom perspective view of a second embodiment of the light fixture.  
FIG. 10 is a top perspective view of the light fixture of FIG. 9.  
FIG. 11 is a right elevation view of the light fixture of FIG. 9.  
FIG. 12 is left elevation view of the light fixture of FIG. 9.  
FIG. 13 is a front end view of the light fixture of FIG. 9.  
FIG. 14 is a rear end view of the light fixture of FIG. 9.  
FIG. 15 is a top plan view of the light fixture of FIG. 9; and, FIG. 16 is a bottom plan view of the light fixture of FIG. 9.  
Portions or features of the light fixture not shown in the drawings form no part of the claimed design. The evenly dotted broken lines in the drawings define the boundaries of the unclaimed portions of the claimed design and form no part of the claimed design. The dash-dot-dash-dot broken lines in the drawings represent a symbolic break along the fixture length. The appearance of any portion of the light fixture between this break forms no part of the claimed design.

**1 Claim, 6 Drawing Sheets**



(56)

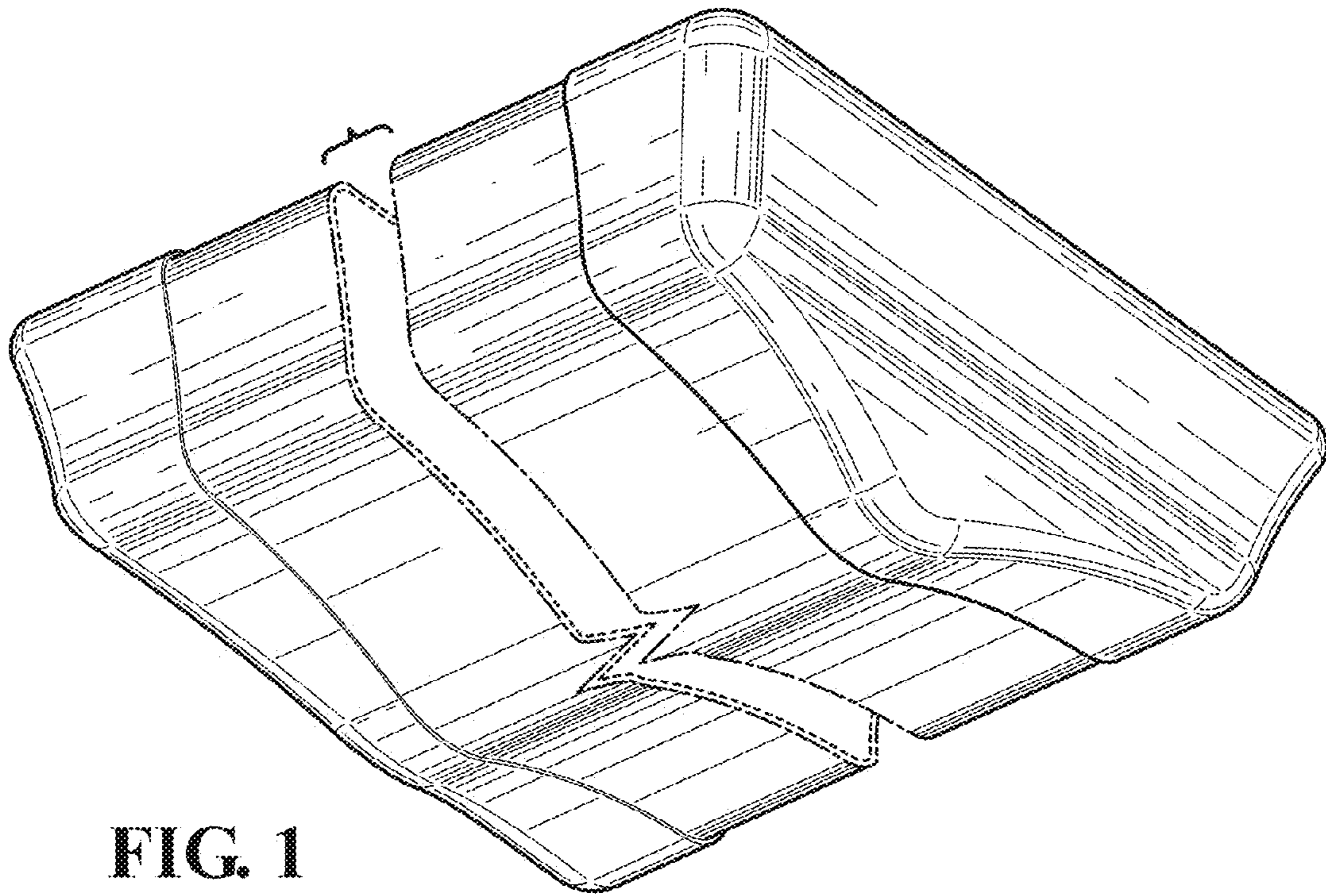
**References Cited**

U.S. PATENT DOCUMENTS

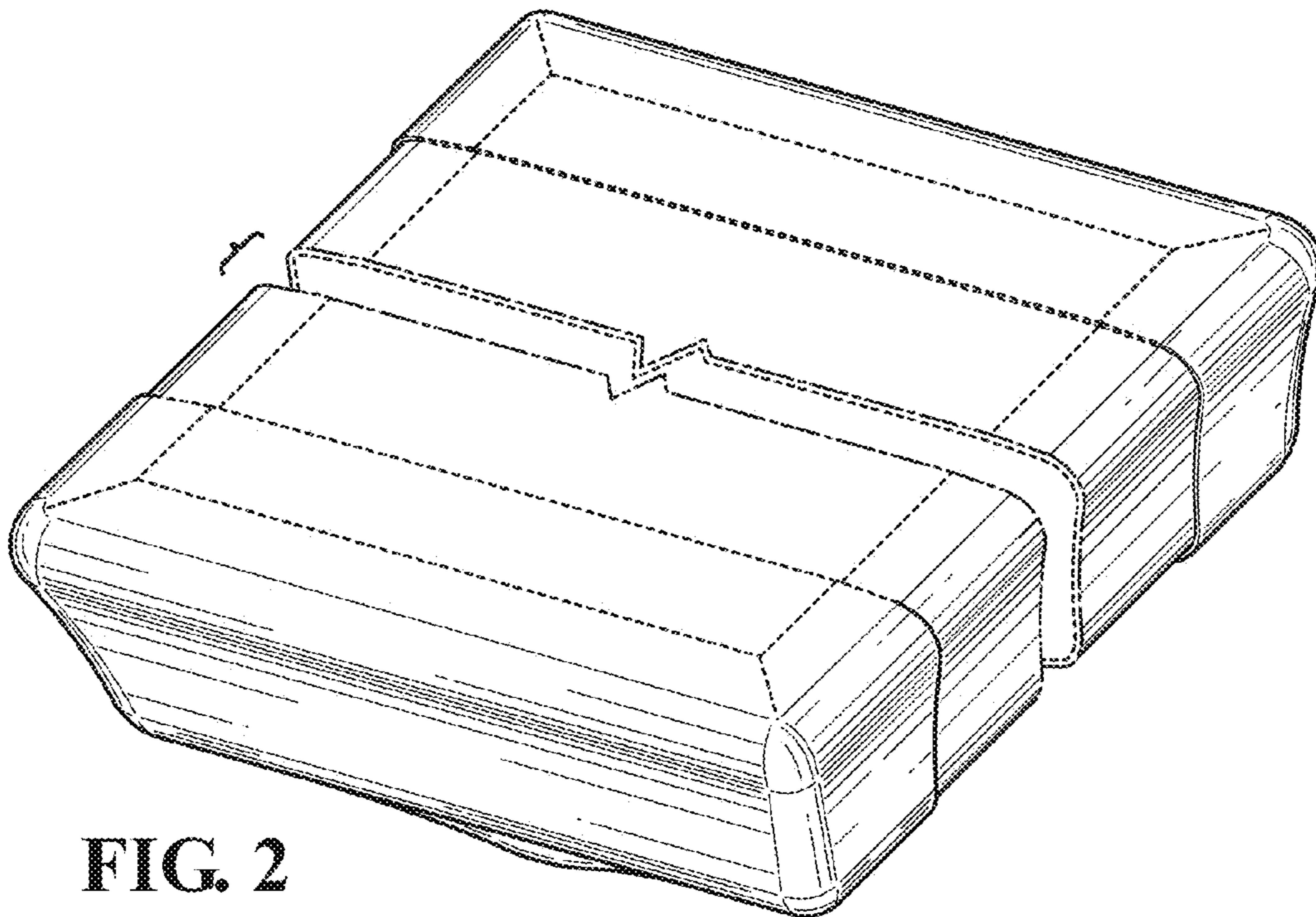
D123,762 S \* 12/1940 Pieper ..... 362/249.16  
 D129,836 S 10/1941 Koegel  
 D139,000 S \* 10/1944 Meyer ..... D26/76  
 D141,068 S 5/1945 Maurette  
 D151,626 S \* 11/1948 Kress ..... D26/85  
 D180,534 S \* 6/1957 Stevens ..... D26/76  
 D180,536 S \* 6/1957 Stevens ..... D26/76  
 D186,129 S \* 9/1959 Spaulding ..... D26/76  
 D195,529 S \* 6/1963 Florence ..... D26/76  
 4,602,320 A \* 7/1986 Tomkin ..... B60Q 1/302  
 362/269  
 D330,438 S \* 10/1992 Herst ..... 26/76  
 D333,530 S \* 2/1993 Boundy ..... D26/74

D380,572 S \* 7/1997 Bodell ..... D26/85  
 D404,160 S 1/1999 Herst et al.  
 D405,908 S \* 2/1999 Herst ..... D26/76  
 D417,030 S 11/1999 Herst et al.  
 D421,147 S 2/2000 Herst et al.  
 D426,338 S 6/2000 Herst et al.  
 D452,030 S \* 12/2001 Collver ..... D26/76  
 D459,023 S 6/2002 Dolan  
 D461,923 S \* 8/2002 Chelf ..... 72/89  
 D480,830 S 10/2003 Sieczkowski  
 D527,135 S \* 8/2006 McCarthy, III ..... D26/72  
 D527,483 S \* 8/2006 McCarthy, III ..... D26/72  
 D617,935 S 6/2010 Miletich et al.  
 D627,916 S \* 11/2010 Butteris ..... D26/85  
 D691,319 S \* 10/2013 Guercio ..... D26/85  
 D743,085 S \* 11/2015 Stolte ..... D26/76

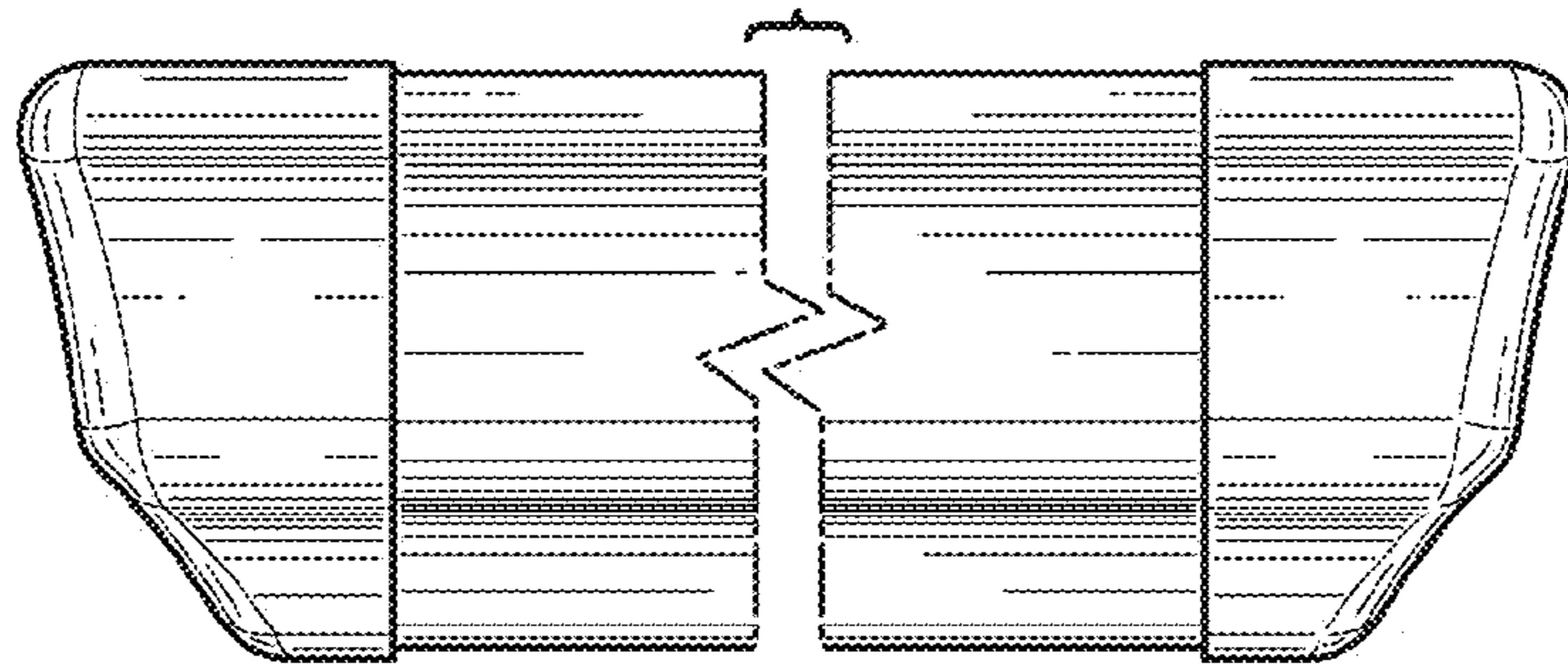
\* cited by examiner



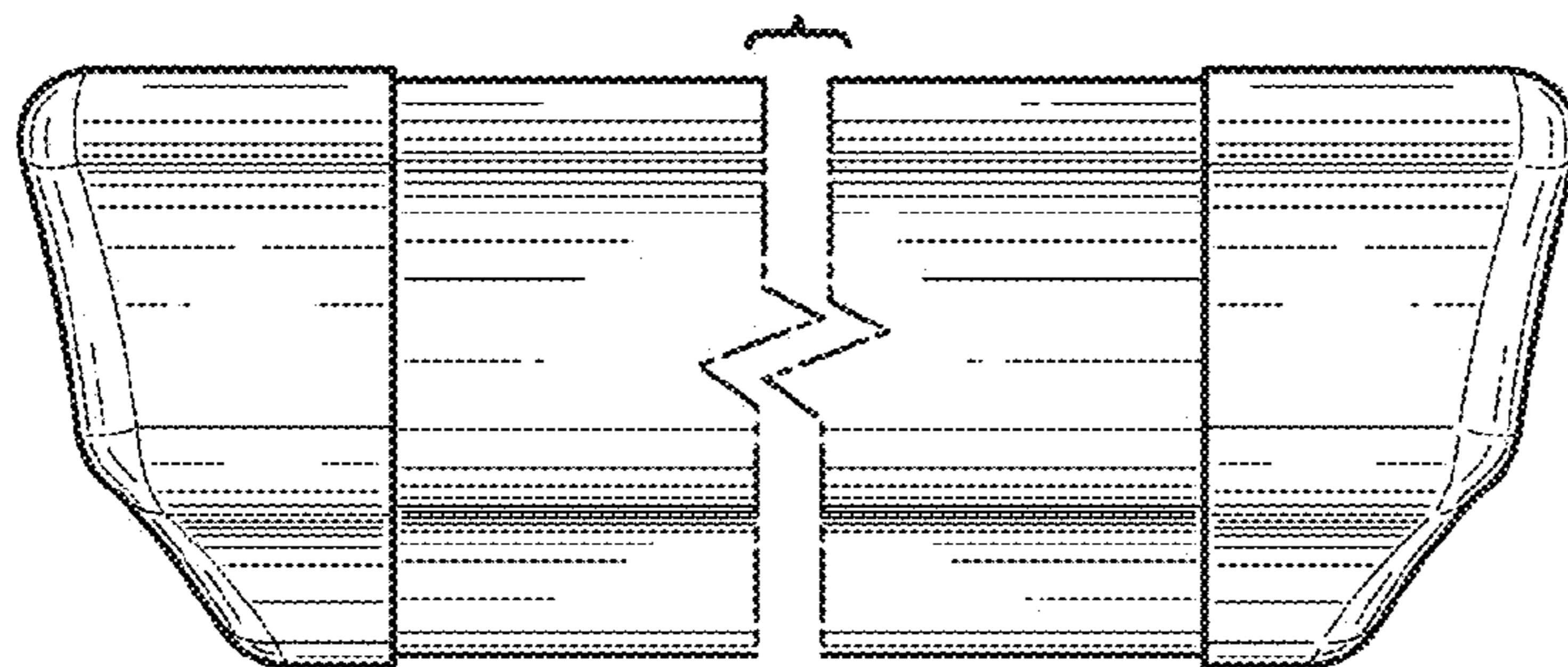
**FIG. 1**



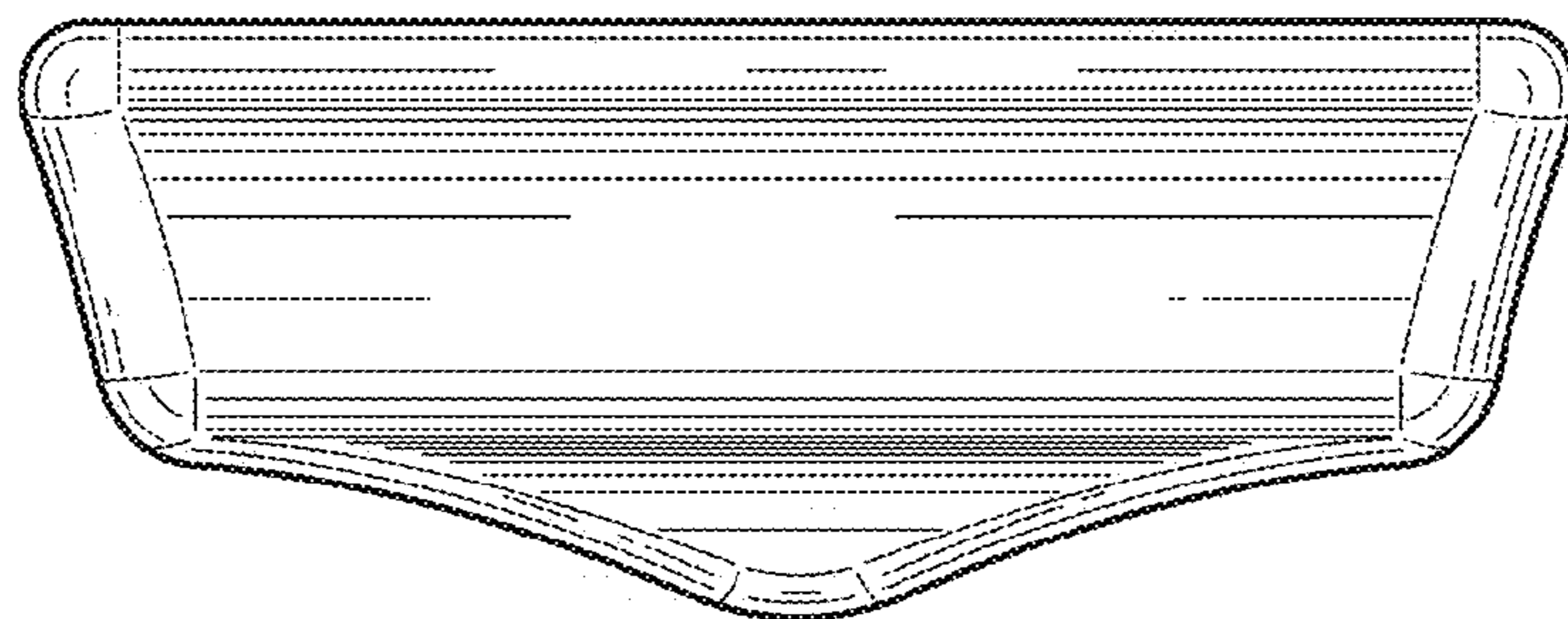
**FIG. 2**



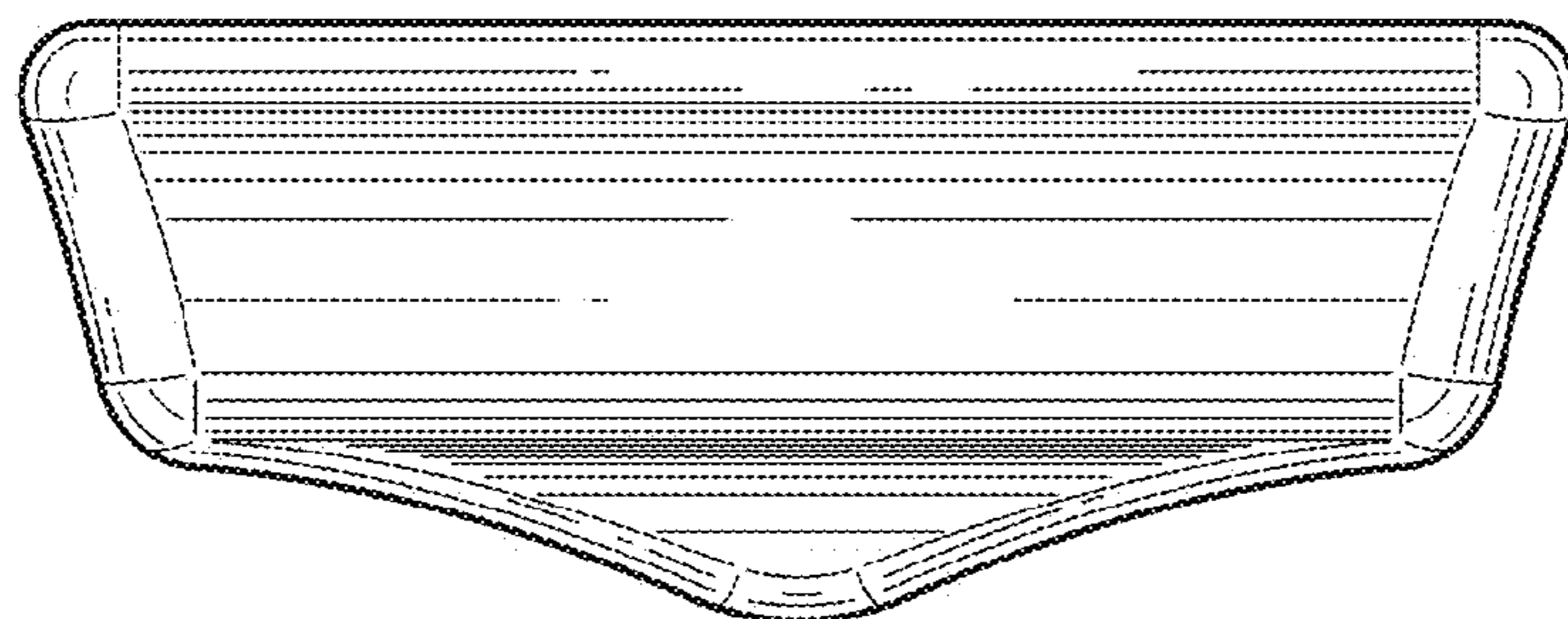
**FIG. 3**



**FIG. 4**

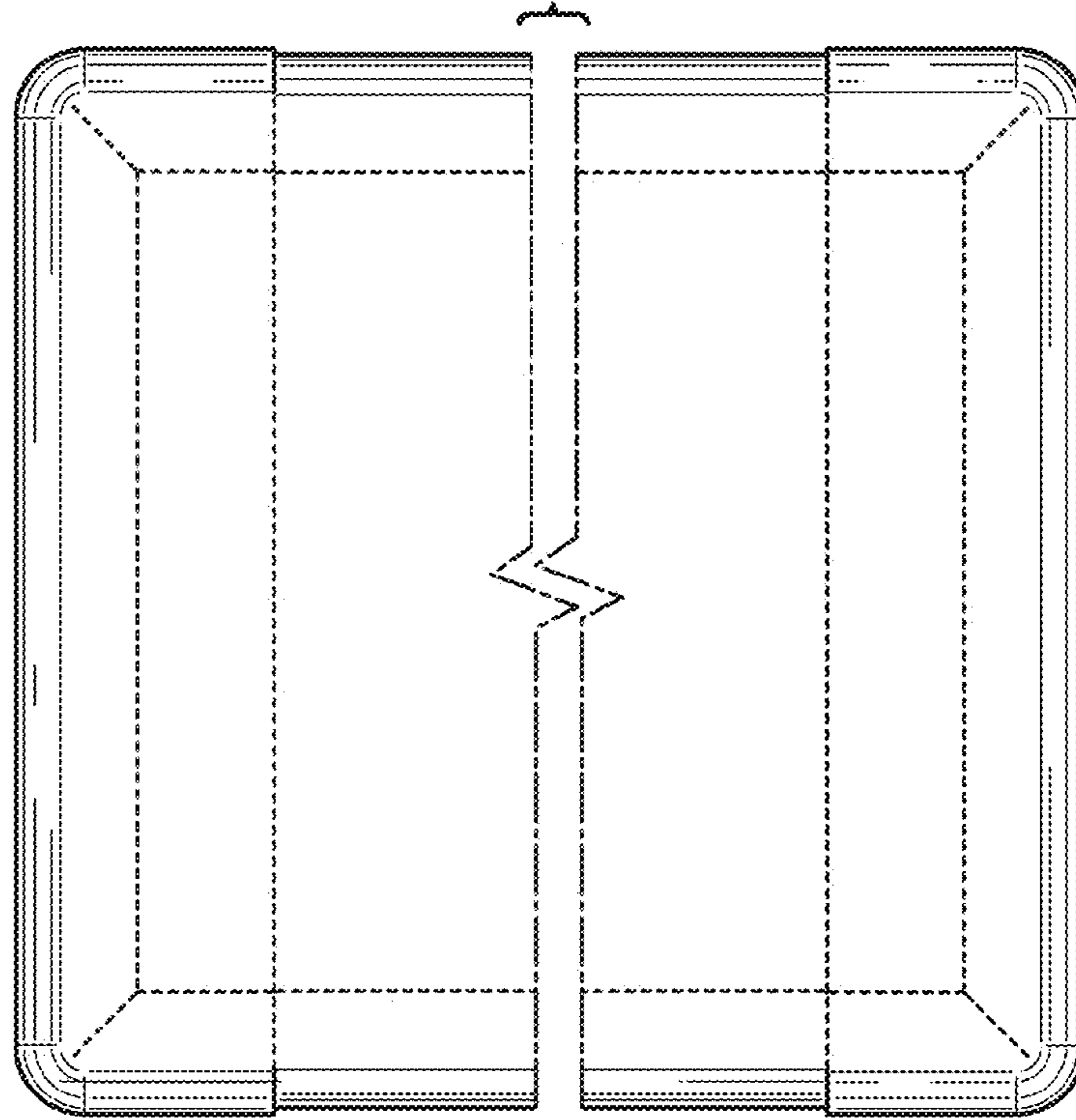


**FIG. 5**

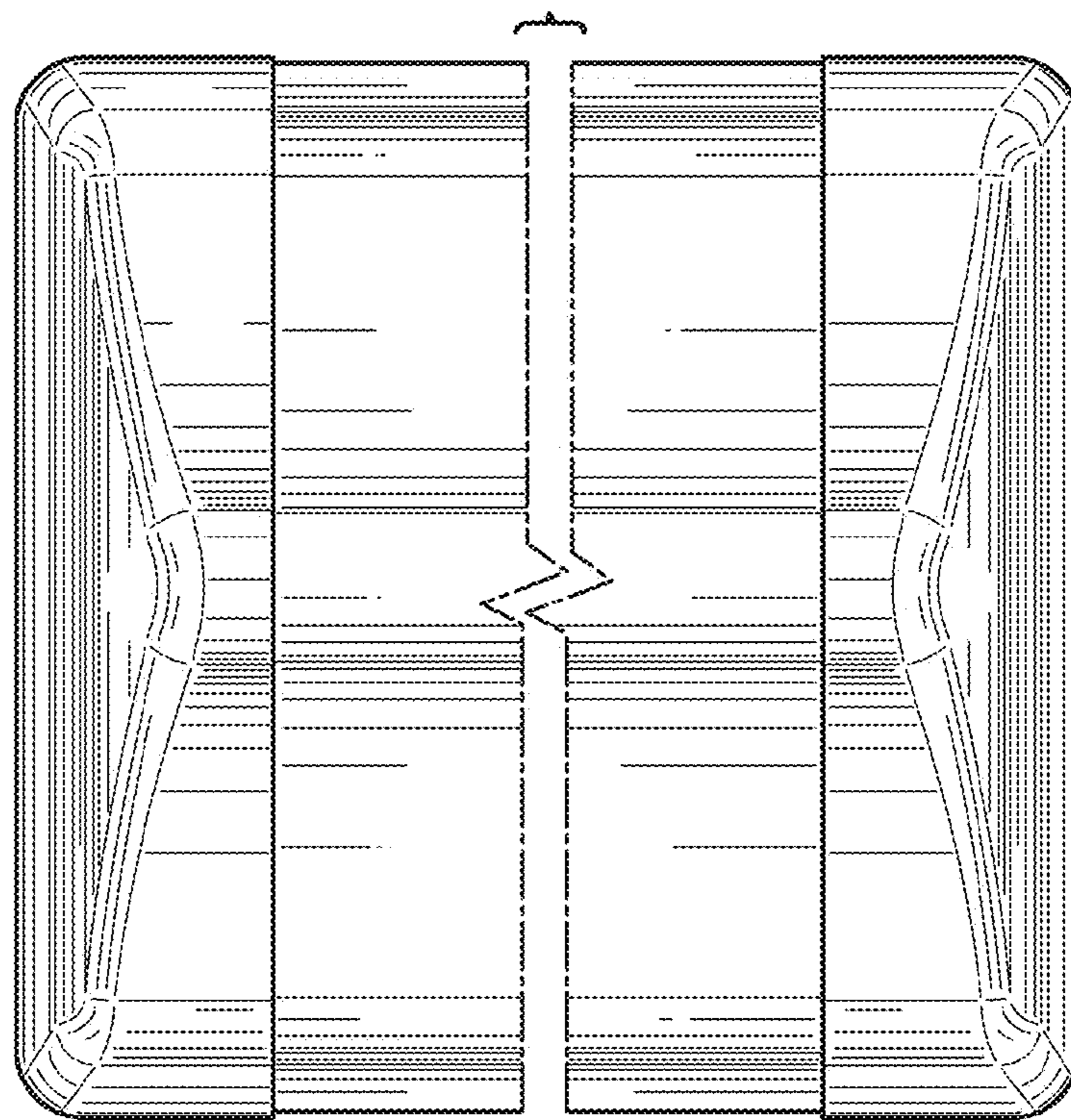


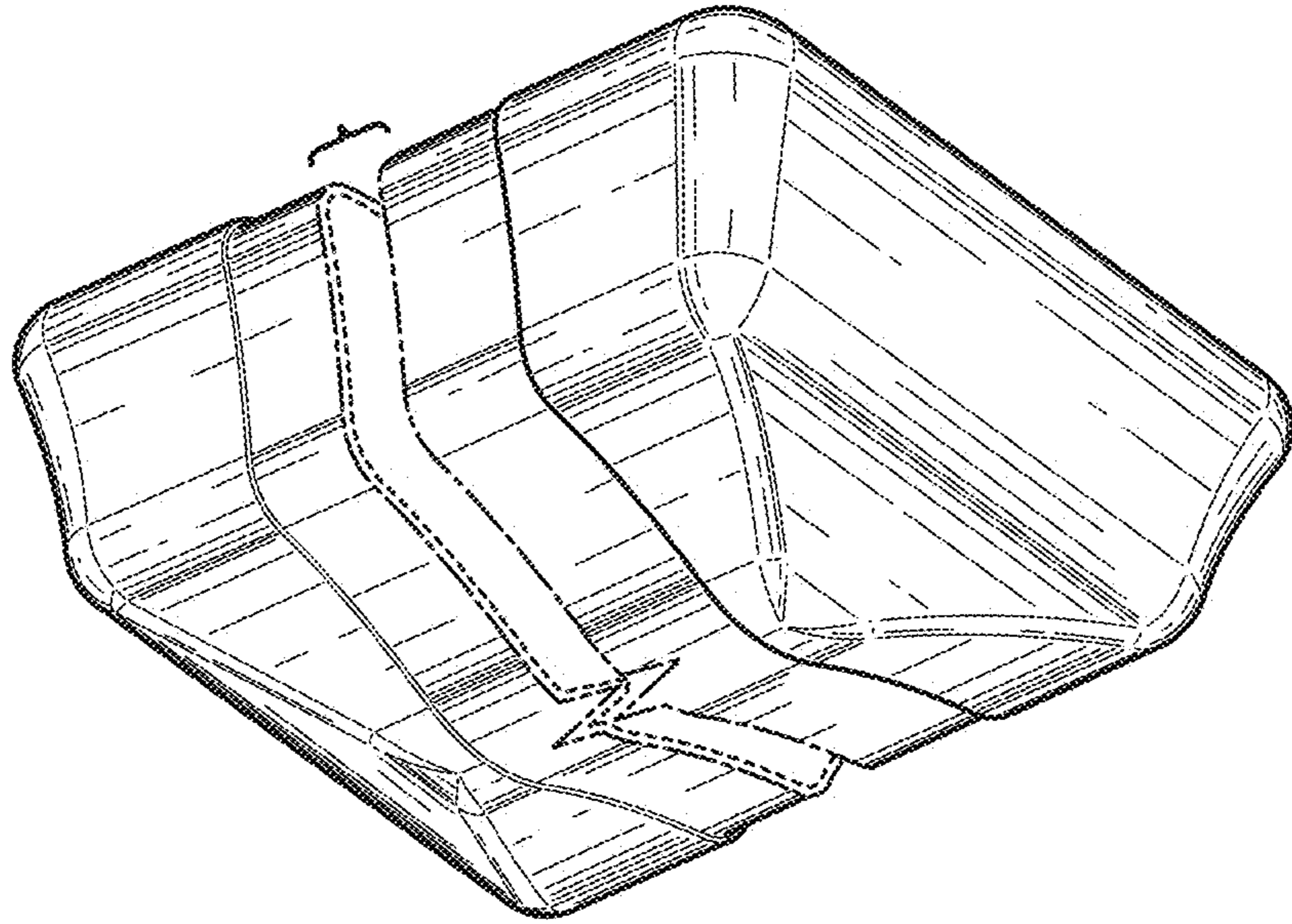
**FIG. 6**

**FIG. 7**

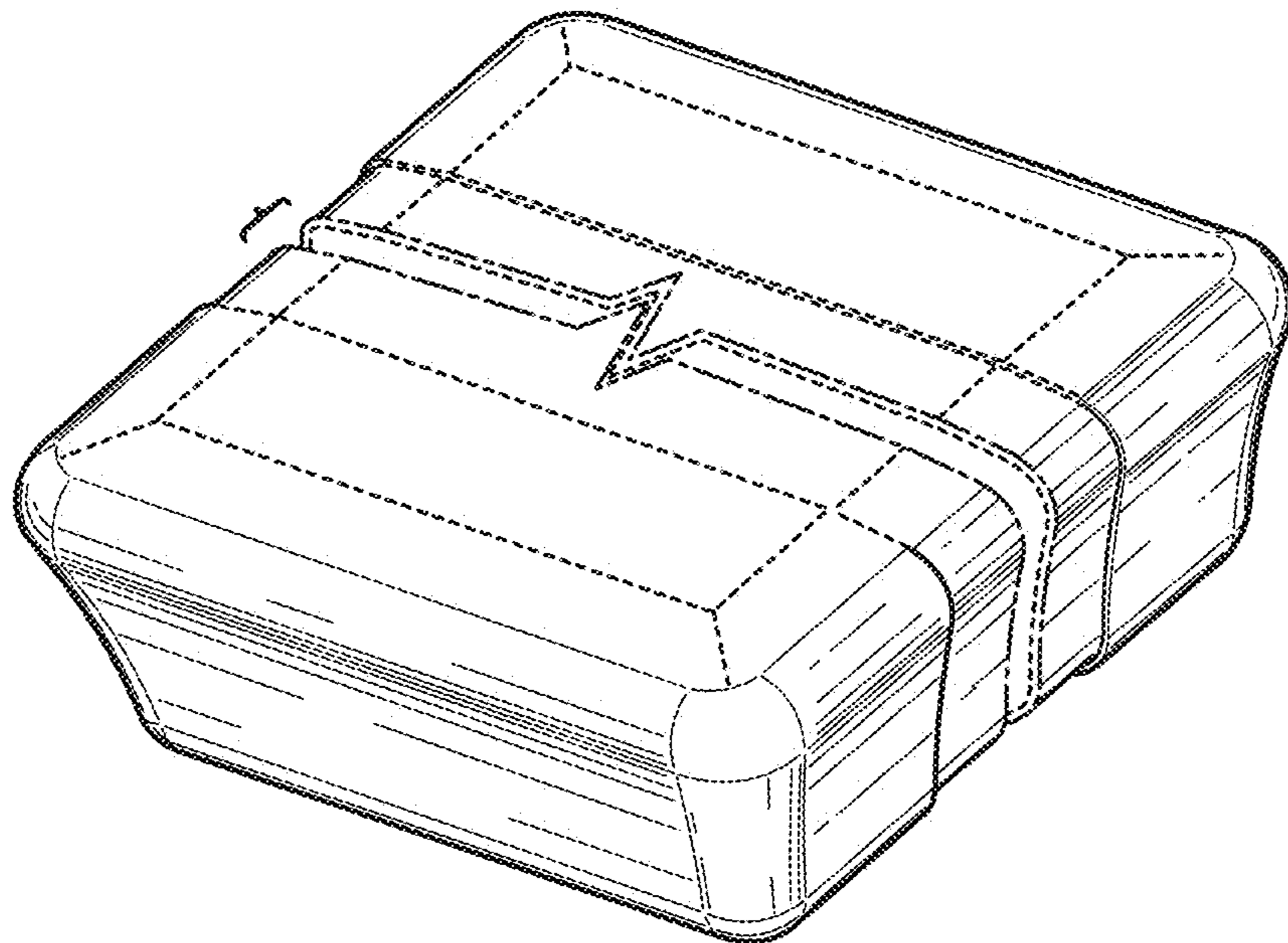


**FIG. 8**

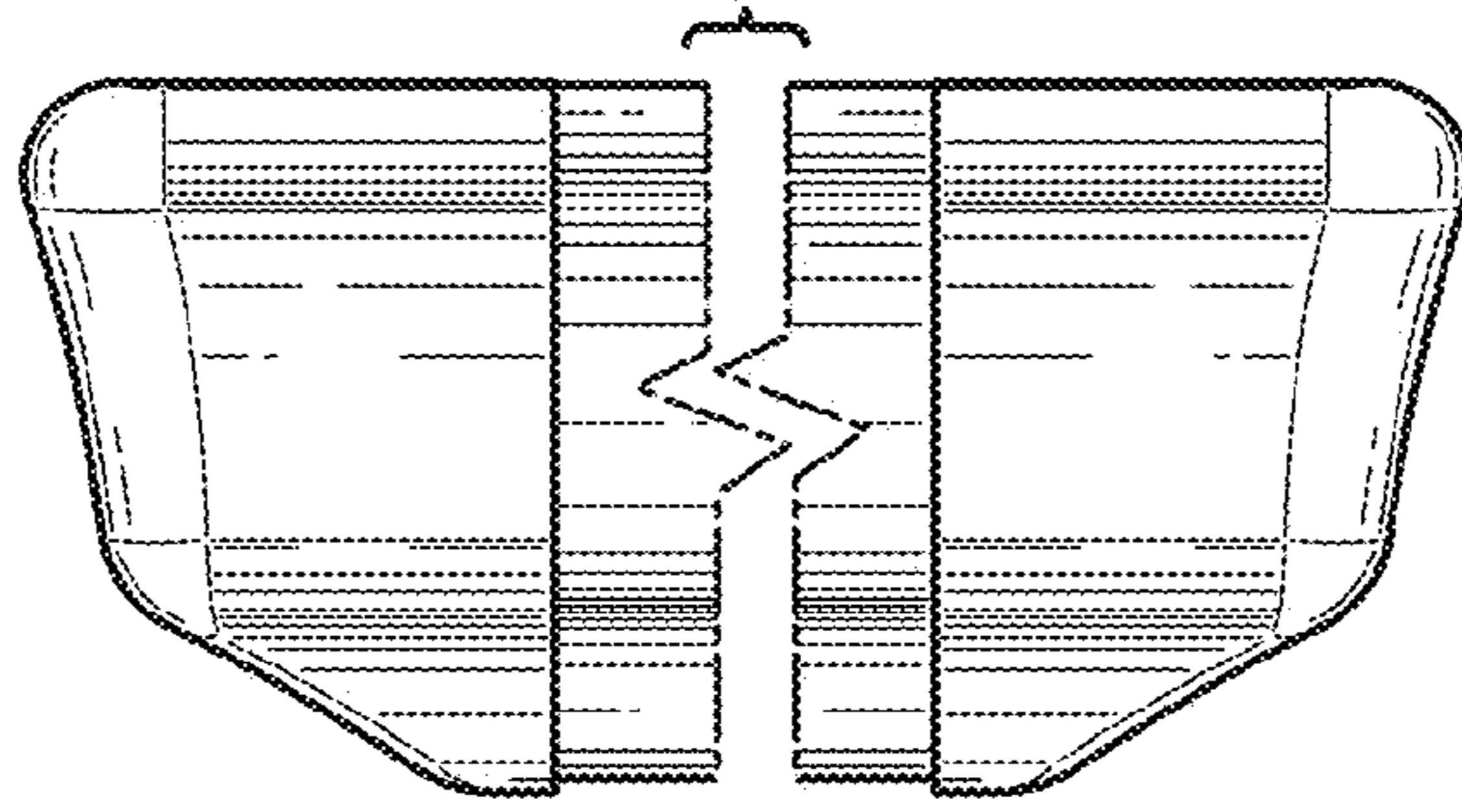




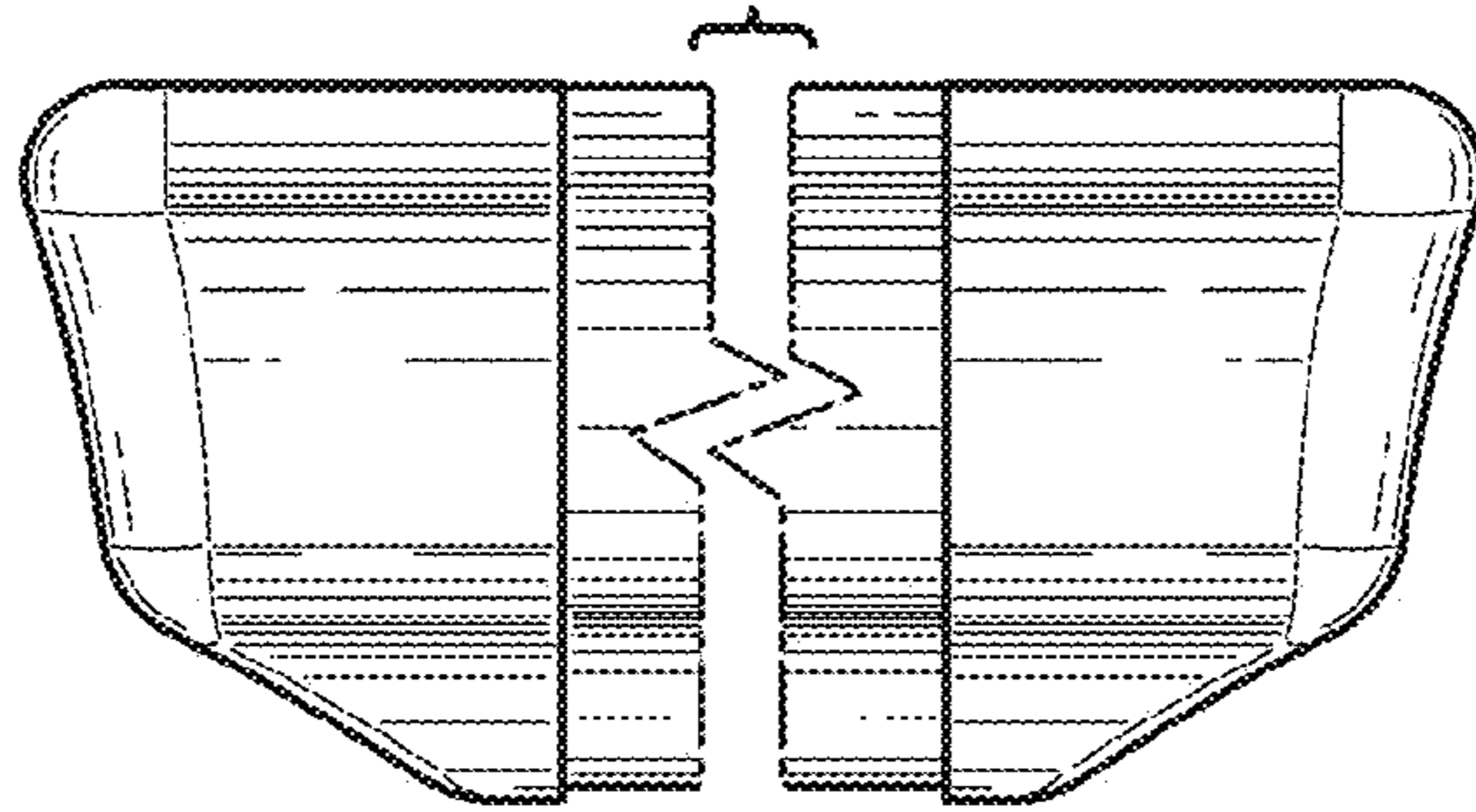
**FIG. 9**



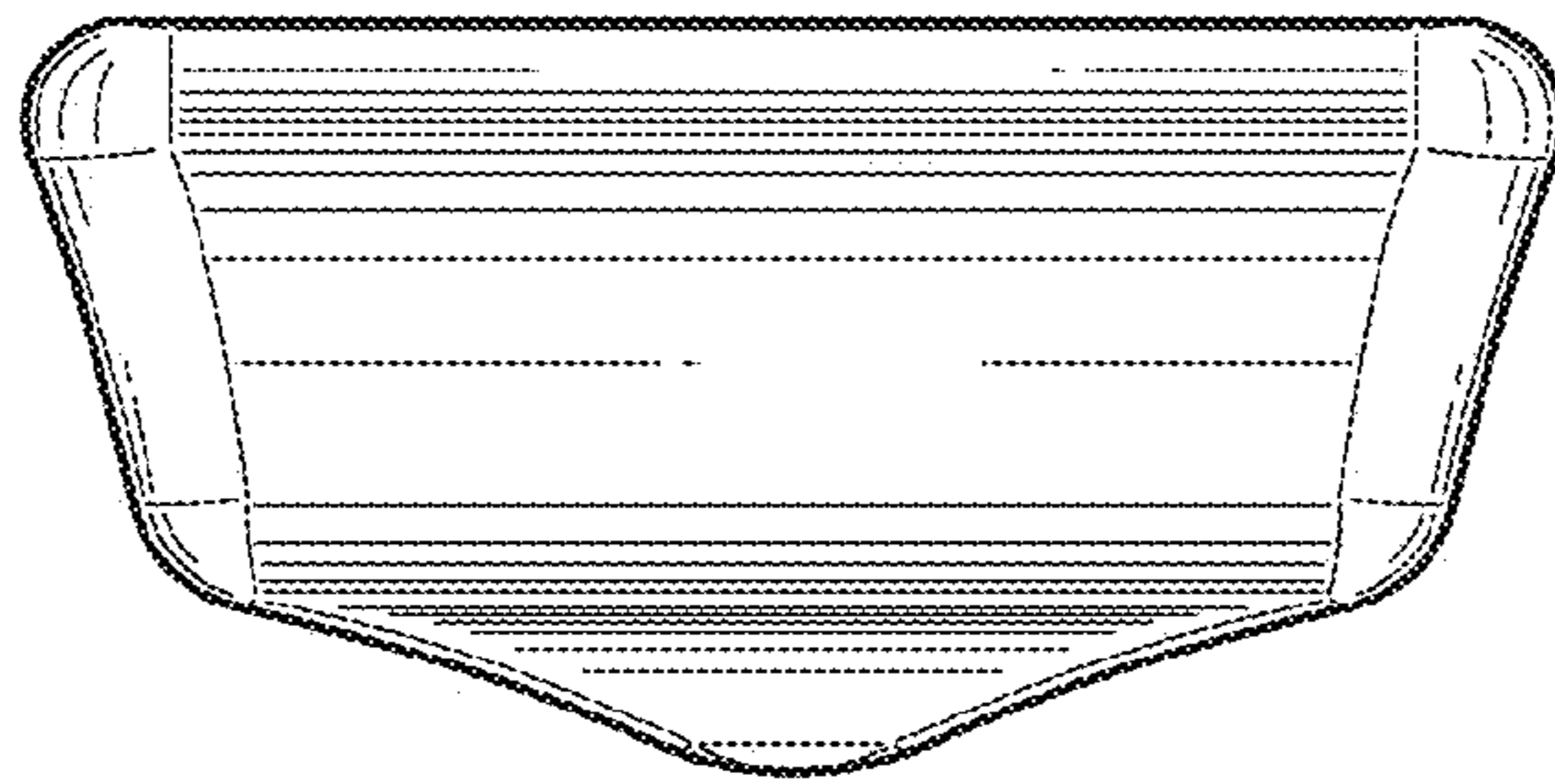
**FIG. 10**



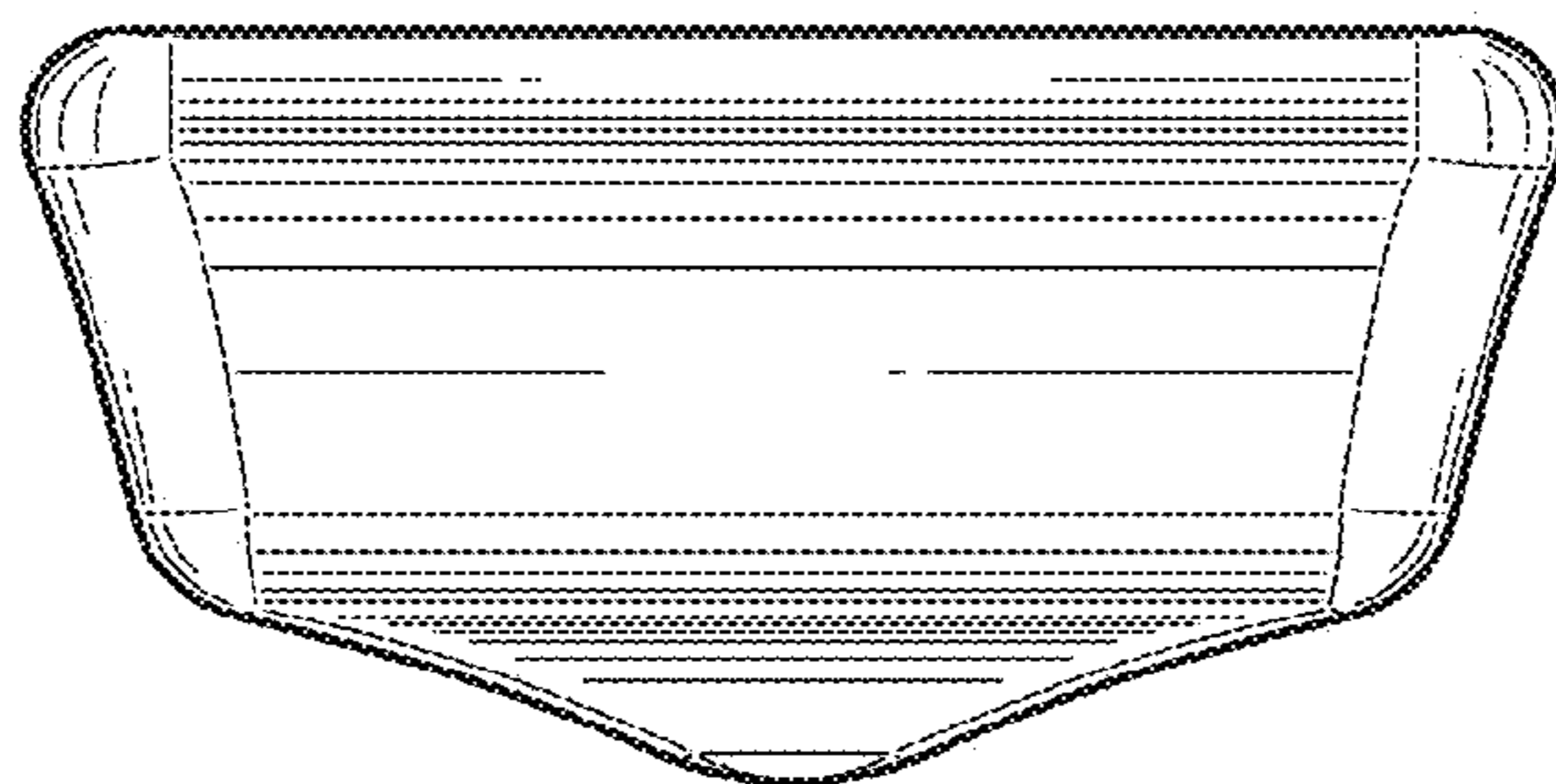
**FIG. 11**



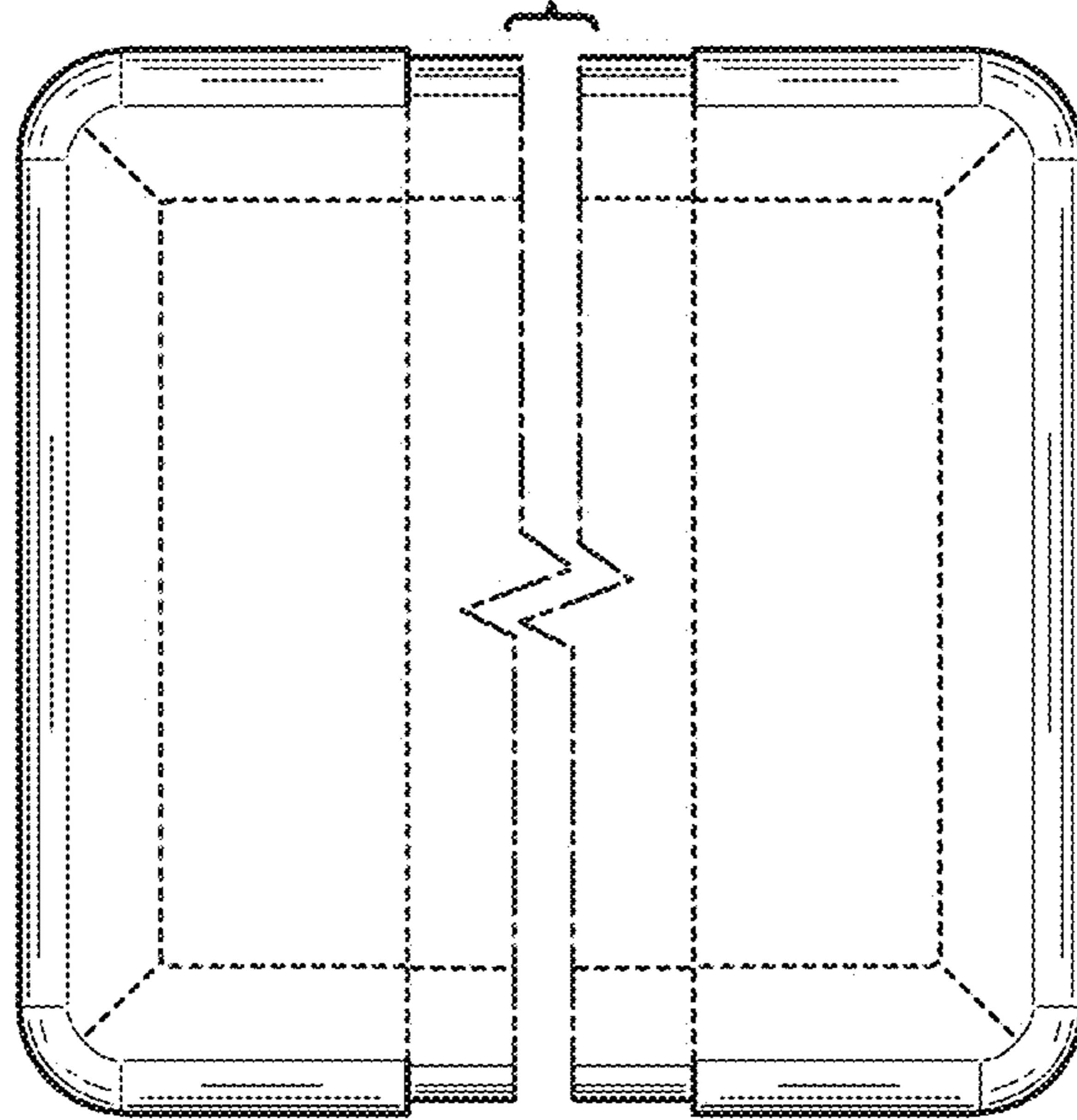
**FIG. 12**



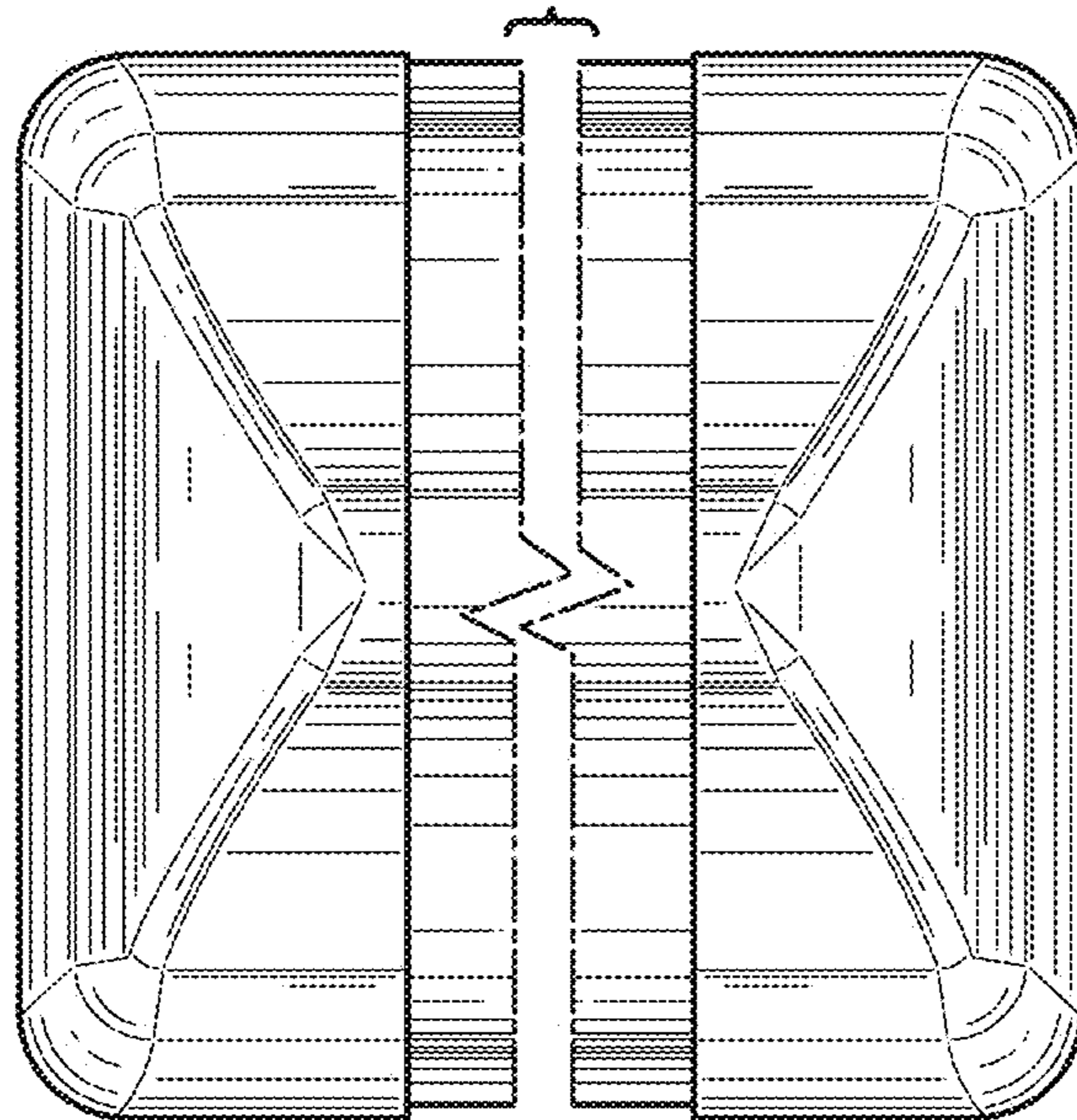
**FIG. 13**



**FIG. 14**



**FIG. 15**



**FIG. 16**