

US00D757330S

(12) **United States Design Patent**
Sieczkowski

(10) **Patent No.:** **US D757,330 S**

(45) **Date of Patent:** **** May 24, 2016**

(54) **LIGHT FIXTURE**

(71) Applicant: **ABL IP Holding LLC**, Conyers, GA
(US)

(72) Inventor: **Philip Sieczkowski**, Lawrenceville, GA
(US)

(73) Assignee: **ABL IP Holding LLC**, Decatur, GA
(US)

(**) Term: **14 Years**

(21) Appl. No.: **29/515,893**

(22) Filed: **Jan. 28, 2015**

(51) **LOC (10) Cl.** **26-03**

(52) **U.S. Cl.**

USPC **D26/89; D26/85**

(58) **Field of Classification Search**

USPC D26/26, 28, 72, 76, 85, 89

CPC F21S 8/00; F21S 8/03; F21S 8/04;

F21S 8/033; F21S 8/036; F21S 8/037; F21V

1/14; F21V 21/02; F21V 21/03; F21V 5/04;

F21W 2121/004; F21W 2111/08; F21W

2131/1005; F21W 2131/107; F21W 2131/402

See application file for complete search history.

(56) **References Cited**

U.S. PATENT DOCUMENTS

D110,165 S * 6/1938 Arenberg D26/76

D180,533 S 6/1957 Stevens

D180,535 S 6/1957 Stevens

D206,286 S 11/1966 Ostyn

D246,330 S 11/1977 Krase et al.

5,272,610 A * 12/1993 Namenye B60Q 1/2611

362/351

D399,019 S 9/1998 Wilmotte

D434,519 S 11/2000 Herst et al.

D456,552 S 4/2002 Russello et al.
D467,367 S * 12/2002 Campagna D26/28
D512,790 S * 12/2005 Handsaker D26/28
D514,733 S * 2/2006 Benensohn D26/89
D516,236 S * 2/2006 Yeh D26/89
D525,386 S * 7/2006 McCarthy, III D26/72
D526,082 S * 8/2006 McCarthy, III D26/72
D530,437 S * 10/2006 Neufeglise D26/28
D551,792 S * 9/2007 Philpot D26/76
D558,910 S * 1/2008 Martineau D26/85

(Continued)

Primary Examiner — Clare E Heflin

(74) *Attorney, Agent, or Firm* — Kilpatrick Townsend & Stockton, LLP

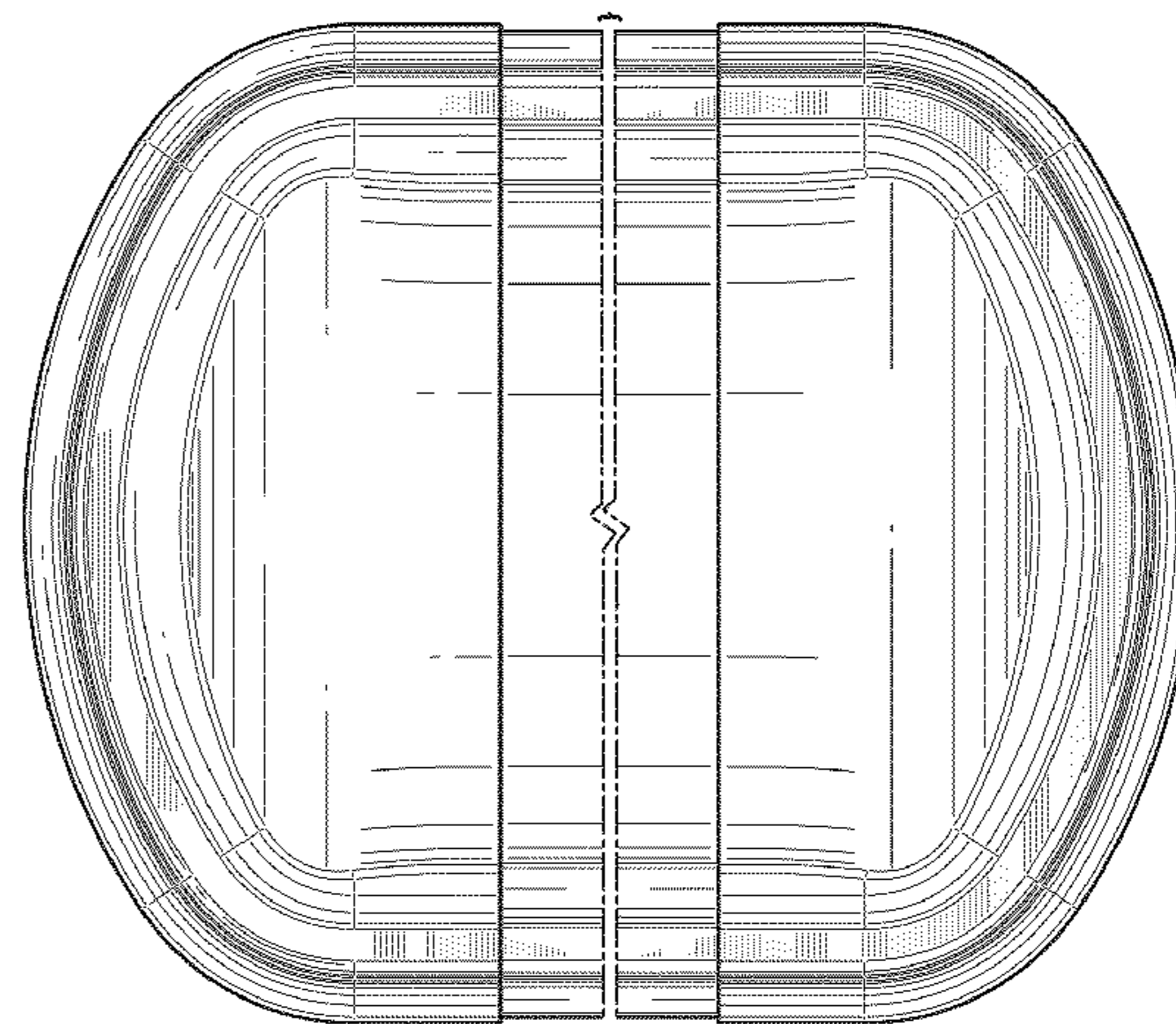
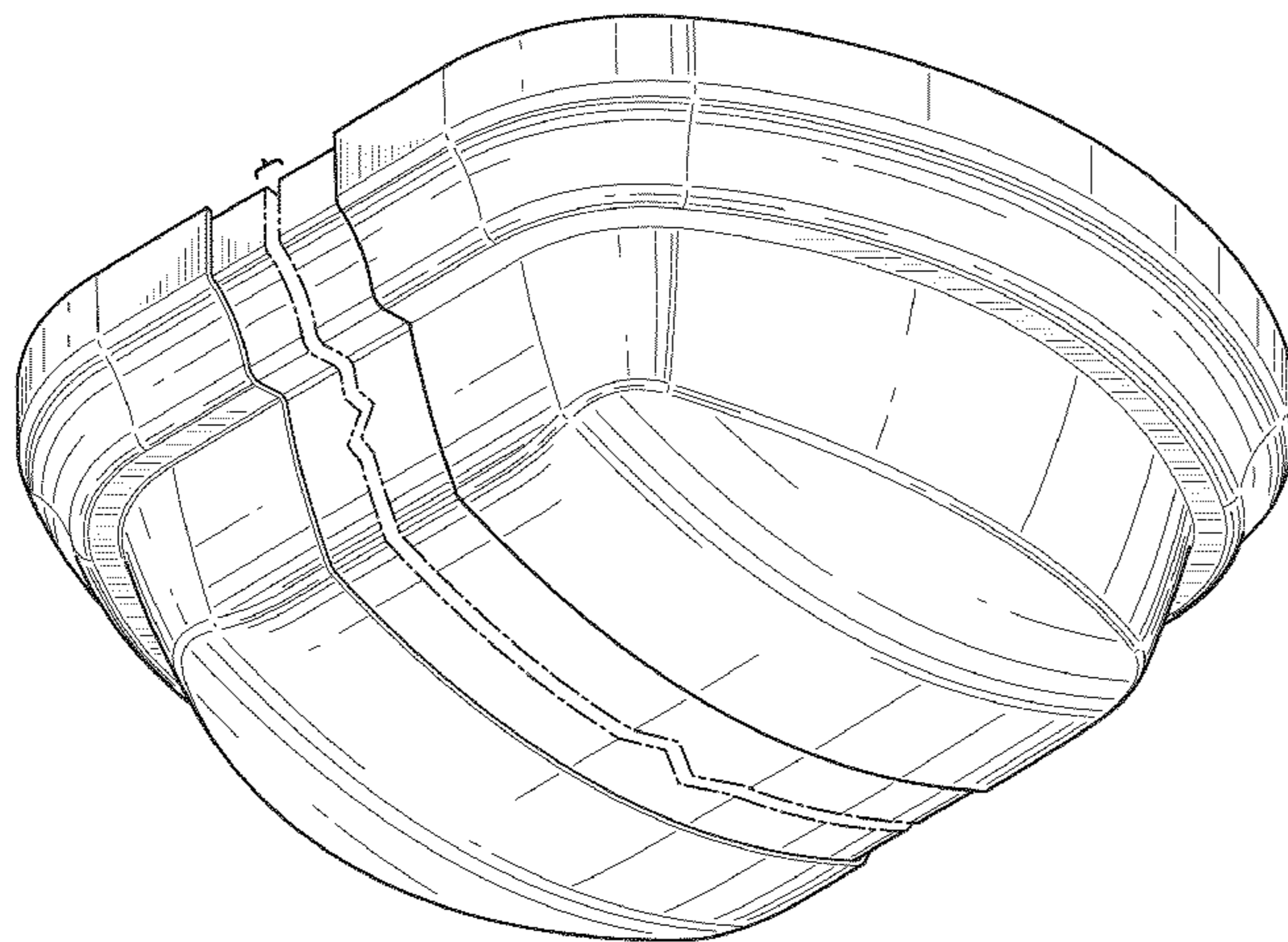
(57) **CLAIM**

The ornamental design for a light fixture, as shown and described.

DESCRIPTION

FIG. 1 is a bottom perspective view of the light fixture. FIG. 2 is a top perspective view of the light fixture of FIG. 1. FIG. 3 is a right elevation view of the light fixture of FIG. 1. FIG. 4 is left elevation view of the light fixture of FIG. 1. FIG. 5 is a front end view of the light fixture of FIG. 1. FIG. 6 is a rear end view of the light fixture of FIG. 1. FIG. 7 is a top plan view of the light fixture of FIG. 1; and, FIG. 8 is a bottom plan view of the light fixture of FIG. 1. Portions or features of the light fixture not shown in the drawings form no part of the claimed design. The evenly dotted broken lines in the drawings define the boundaries of the unclaimed portions of the claimed design and form no part of the claimed design. The dash-dot-dash-dot broken lines in the drawings represent a symbolic break along the fixture length. The appearance of any portion of the light fixture between this break forms no part of the claimed design.

1 Claim, 6 Drawing Sheets



(56)

References Cited

U.S. PATENT DOCUMENTS

D559,429 S *	1/2008	Kuo	D26/28	D647,241 S	10/2011	Takahashi et al.	
D559,430 S *	1/2008	Kuo	D26/28	D662,251 S *	6/2012	Wauters D26/85
D567,425 S	4/2008	Yates			D701,982 S *	4/2014	Kwon D26/28
D617,935 S	6/2010	Miletich et al.			D705,975 S	5/2014	Hedstrom et al.	
D635,710 S *	4/2011	Jean	D26/120	D735,393 S *	7/2015	Hennessey D26/89
					D735,907 S *	8/2015	Campagna D26/28
					2014/0104843 A1 *	4/2014	McCane F21V 3/0445 362/282

* cited by examiner

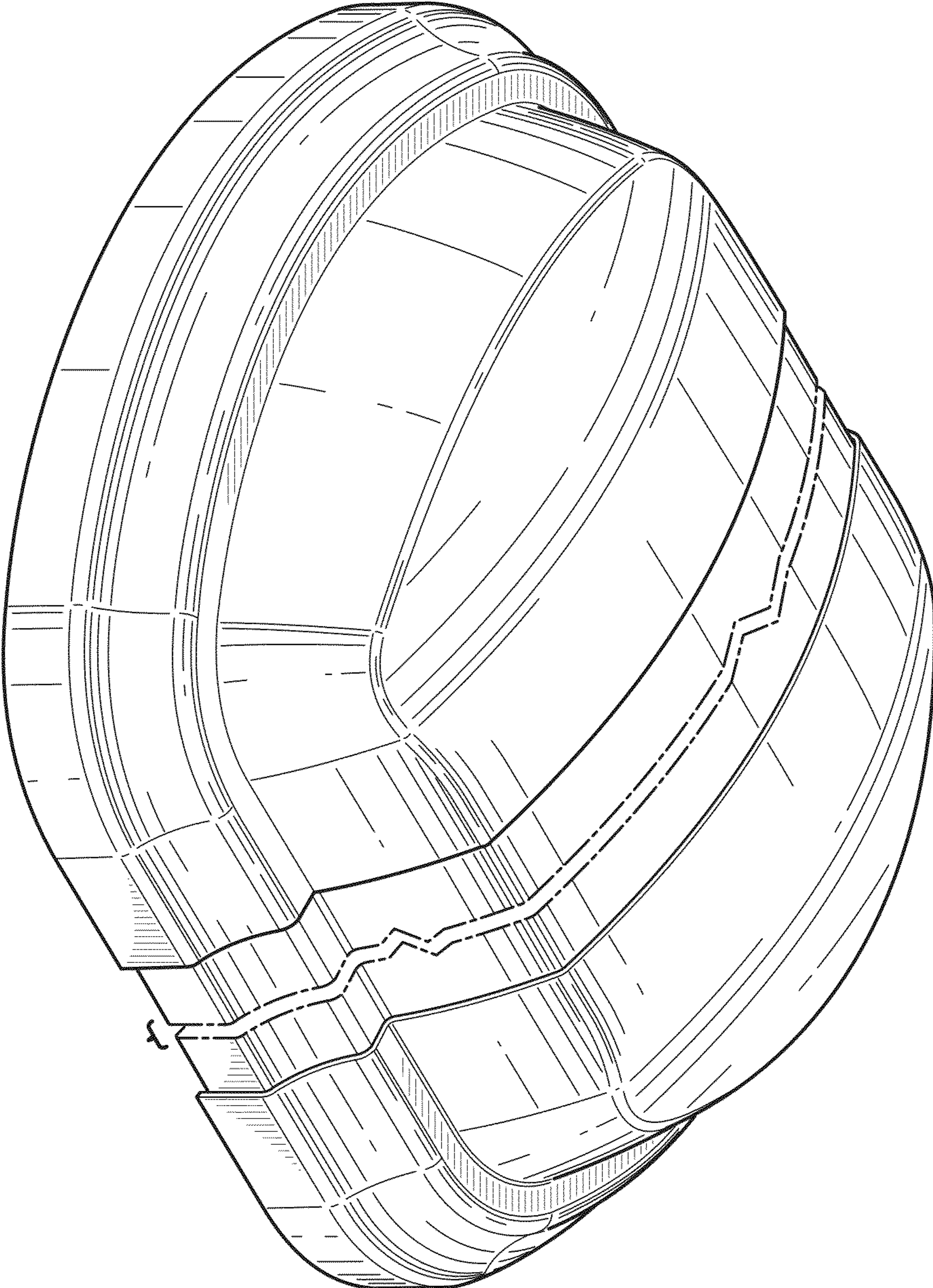


FIG. 1

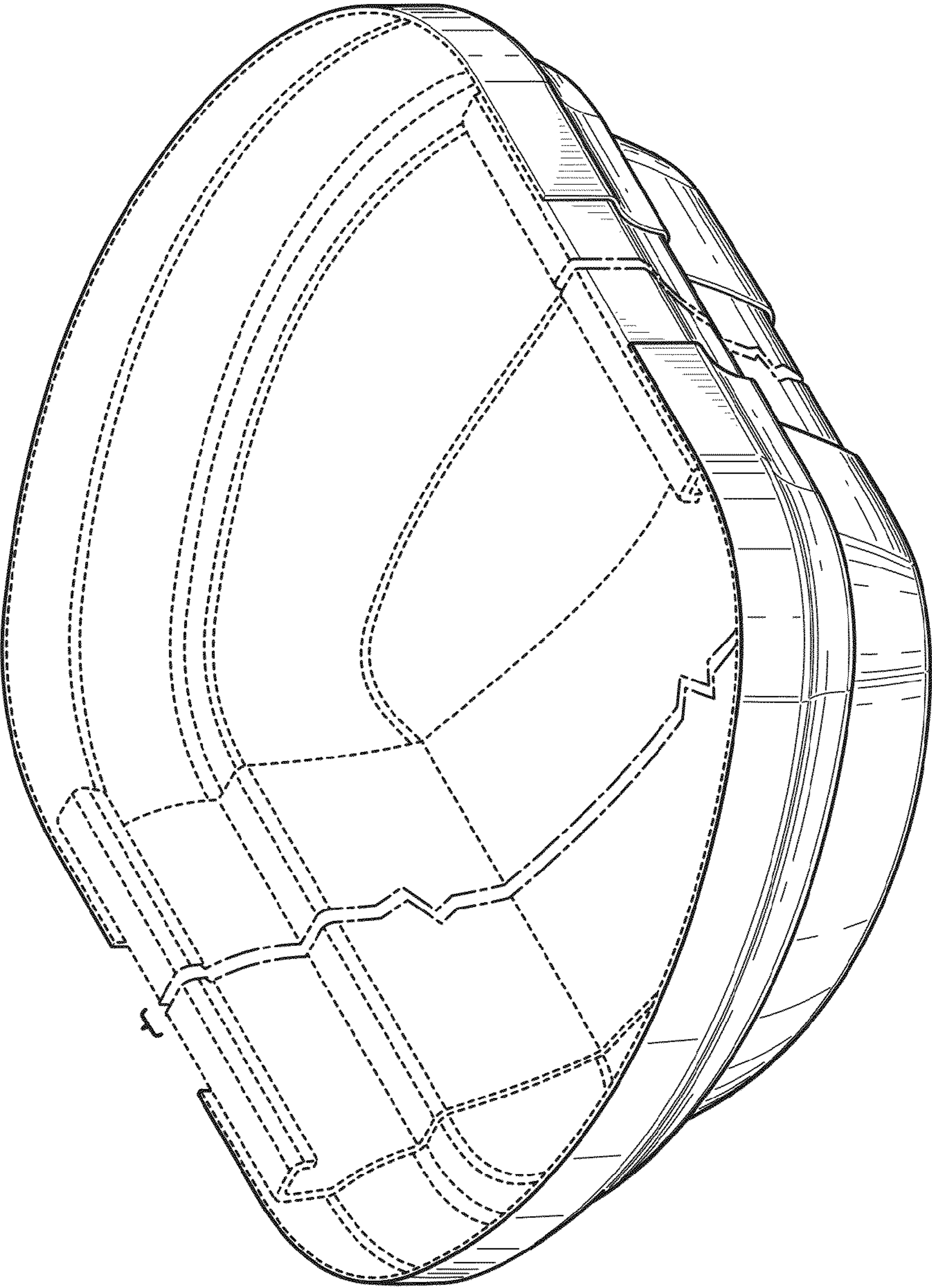


FIG. 2

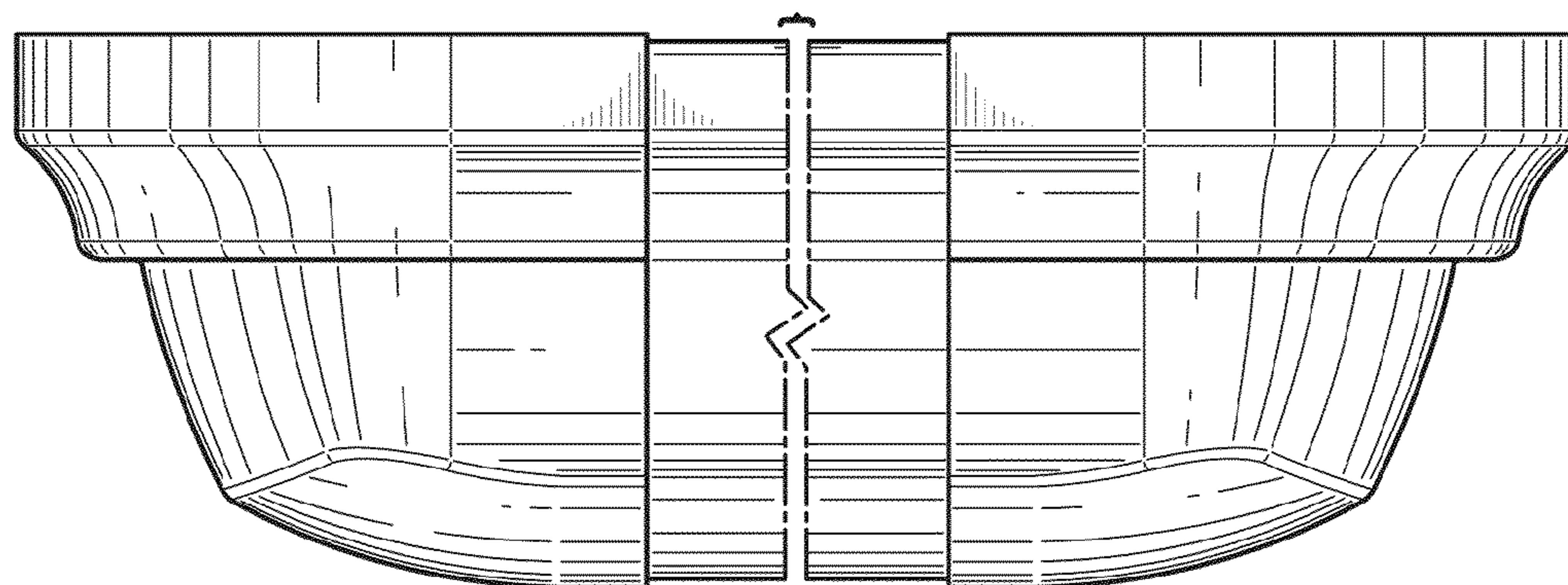


FIG. 3

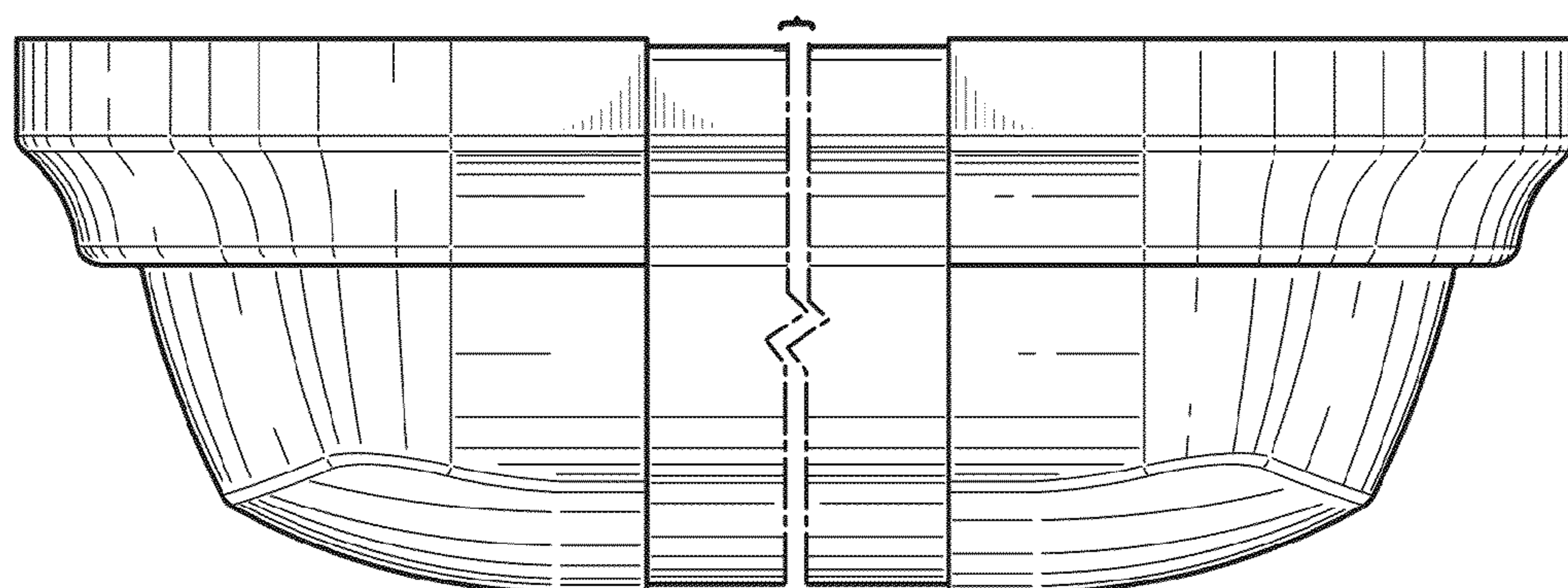


FIG. 4

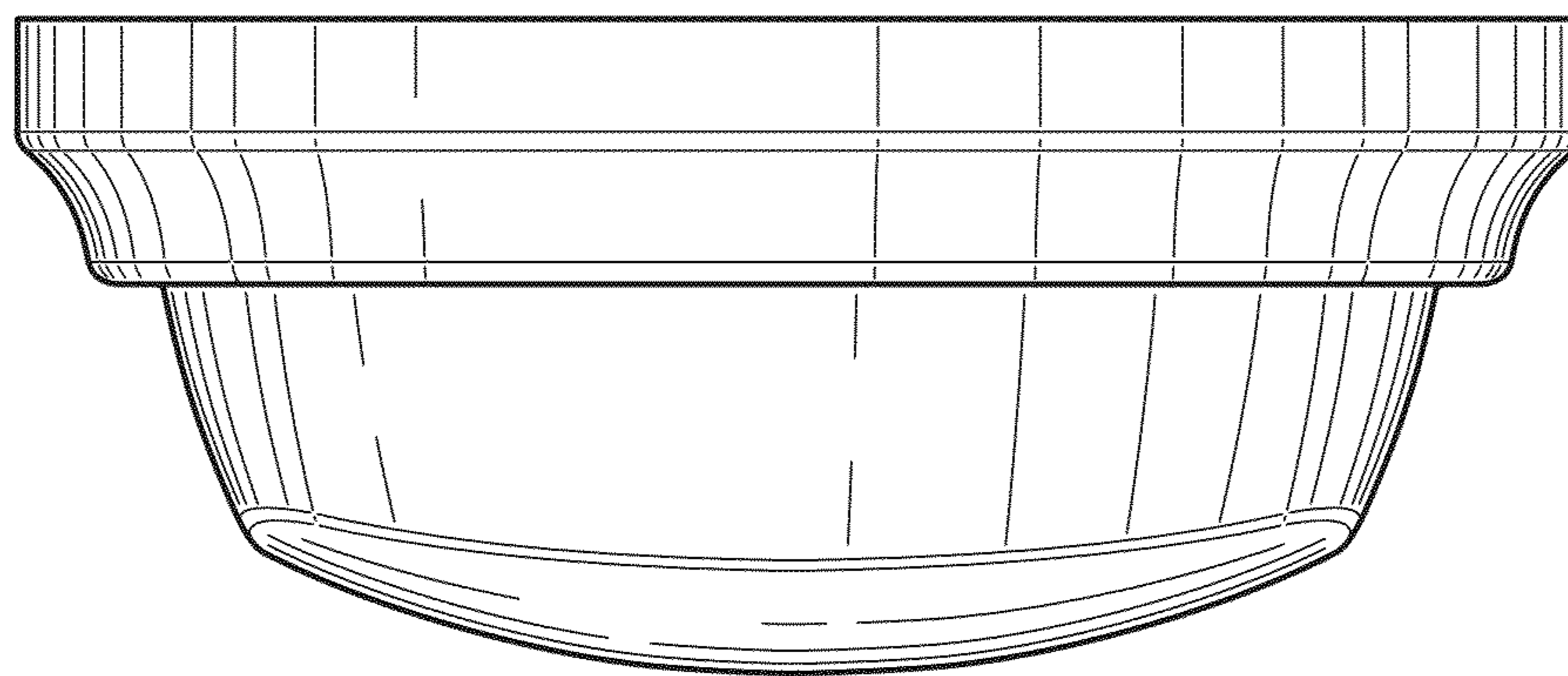


FIG. 5

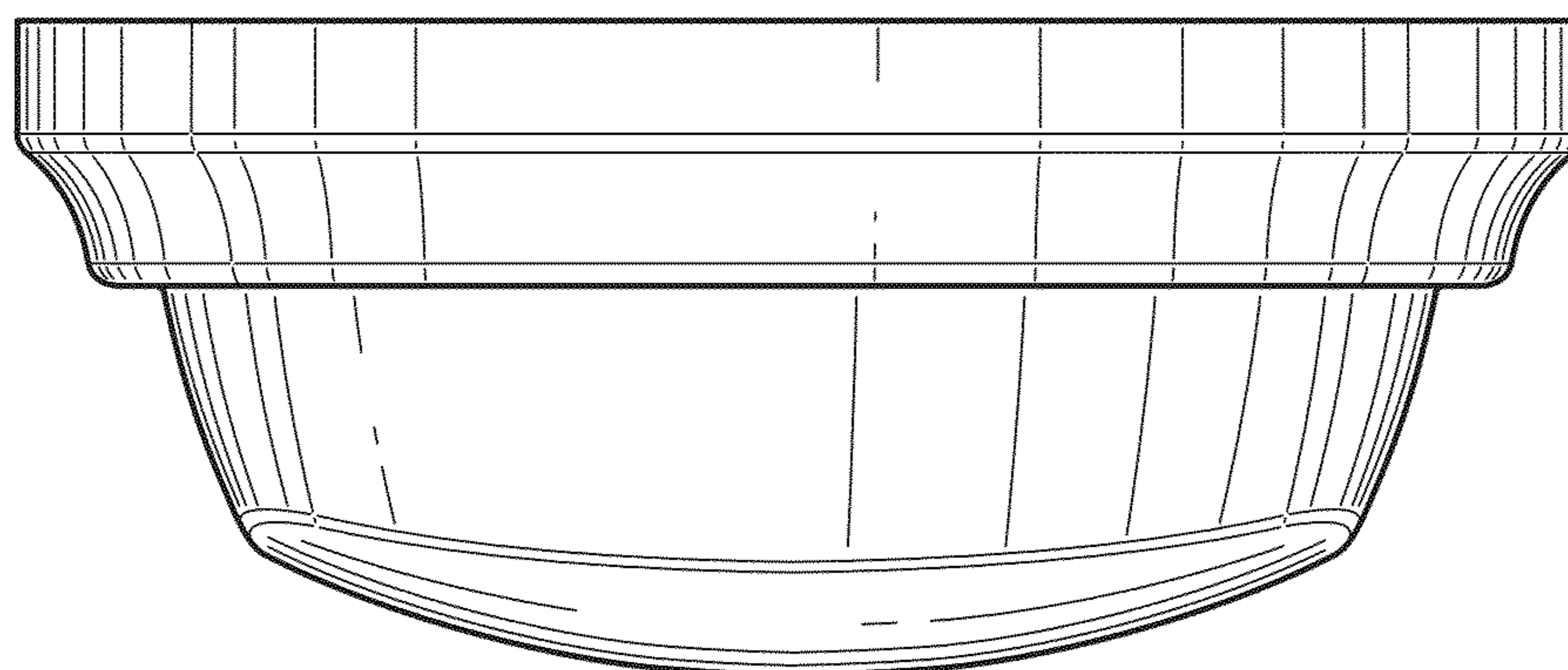


FIG. 6

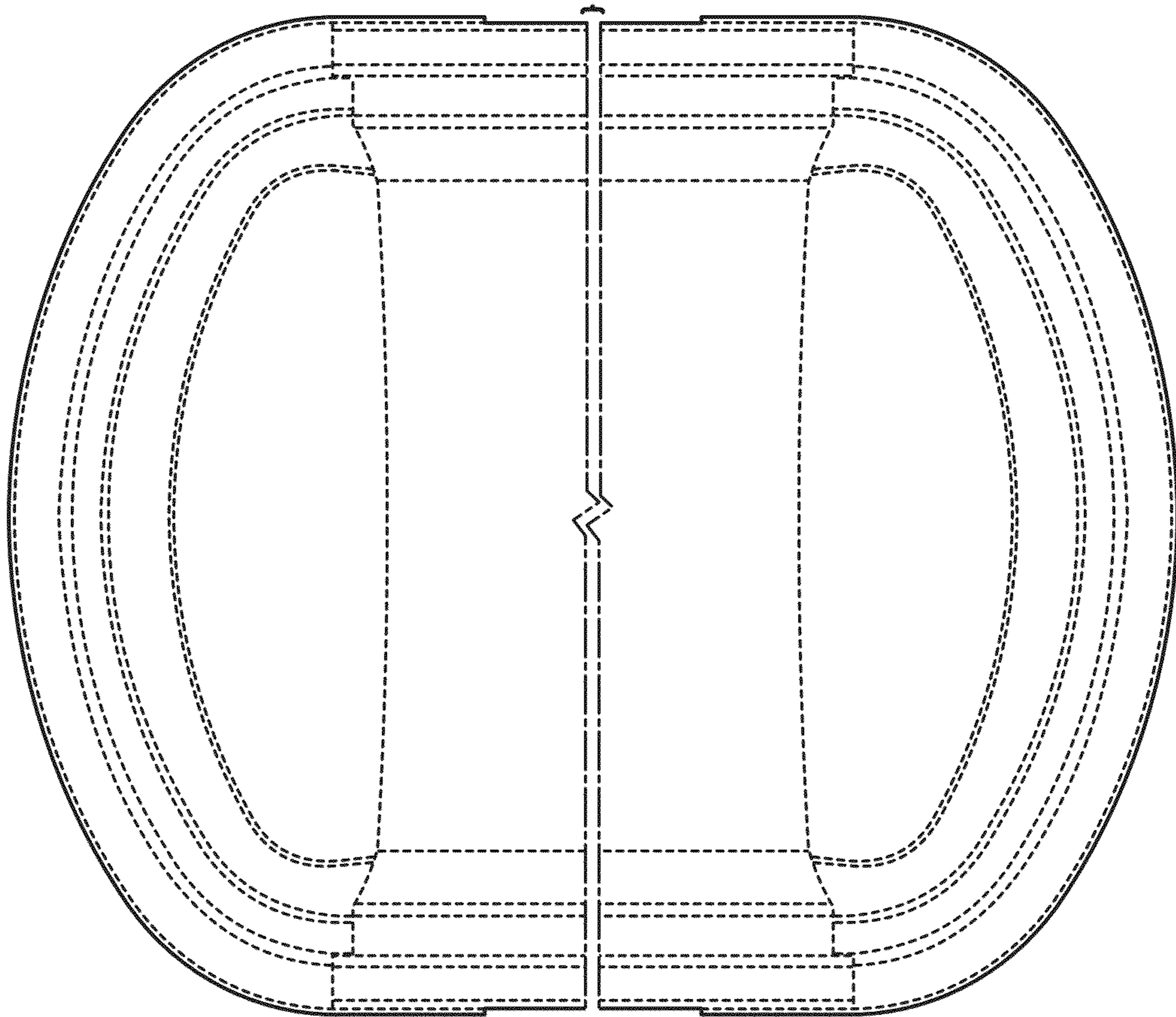


FIG. 7

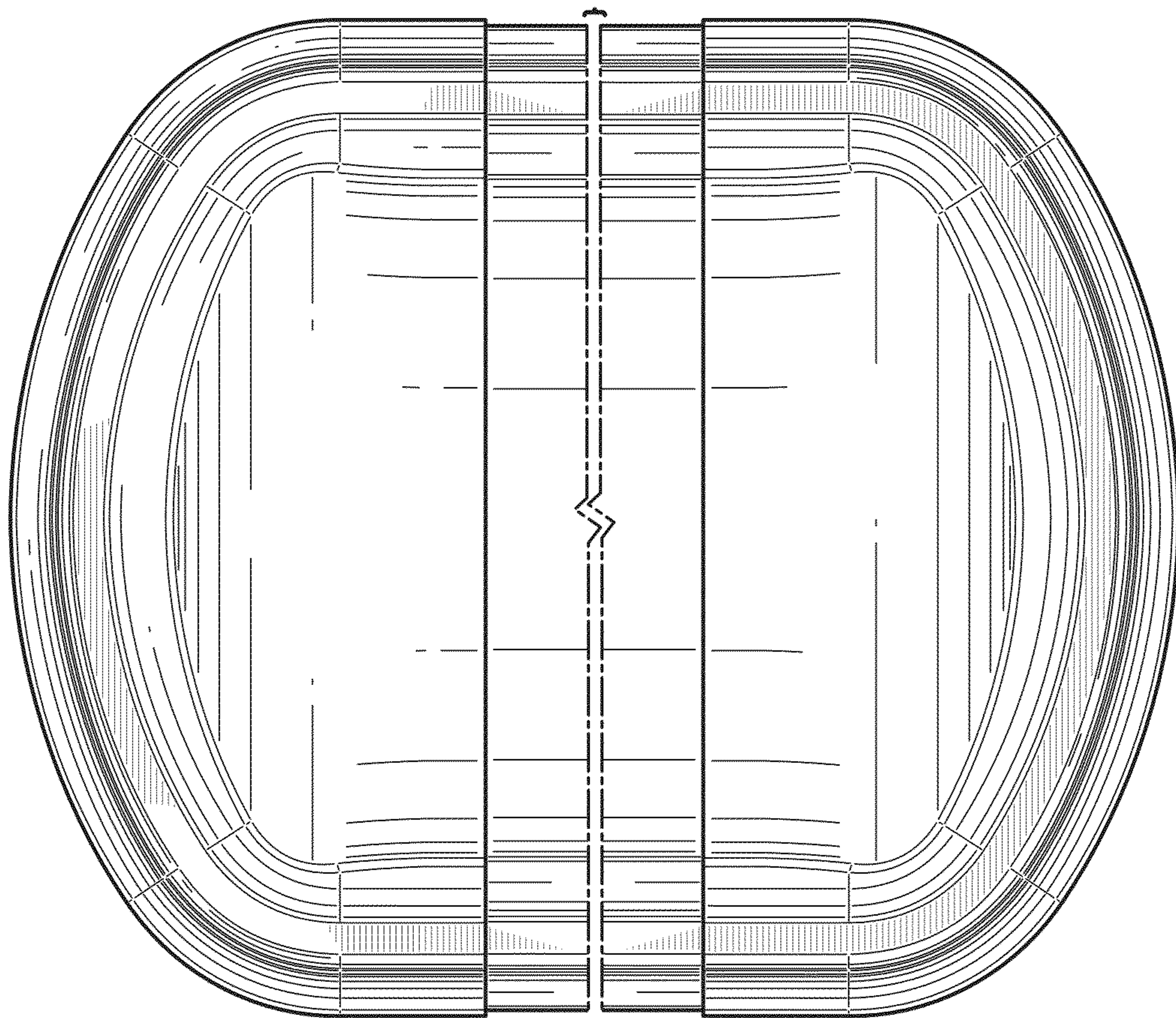


FIG. 8