



US00D757327S

(12) **United States Design Patent**
Reynolds

(10) **Patent No.:** **US D757,327 S**

(45) **Date of Patent:** **** May 24, 2016**

(54) **FLUORESCENT LIGHT FIXTURE**
(71) Applicant: **IP Holdings, LLC**, Vancouver, WA (US)
(72) Inventor: **Chris Reynolds**, Vancouver, WA (US)
(73) Assignee: **IP Holdings, LLC**, Vancouver, WA (US)
(**) Term: **14 Years**

Primary Examiner — George D Kirschbaum
Assistant Examiner — Natasha Vujcic
(74) *Attorney, Agent, or Firm* — J. Douglas Wells

(21) Appl. No.: **29/511,663**
(22) Filed: **Dec. 12, 2014**
(51) **LOC (10) Cl.** **26-03**
(52) **U.S. Cl.**
USPC **D26/77**
(58) **Field of Classification Search**
USPC D26/24, 39, 59, 67, 68, 69, 70, 71, 72,
D26/74, 76, 77, 80, 88, 89, 98, 138, 139,
D26/140, 141, 142, 151, 152
CPC F24S 4/001; F24S 4/005; F24S 8/00;
F24S 8/04; F24S 8/043; F24S 8/046; F24S
8/06-8/065; F24S 13/02; F24S 13/04; F24S
13/06
See application file for complete search history.

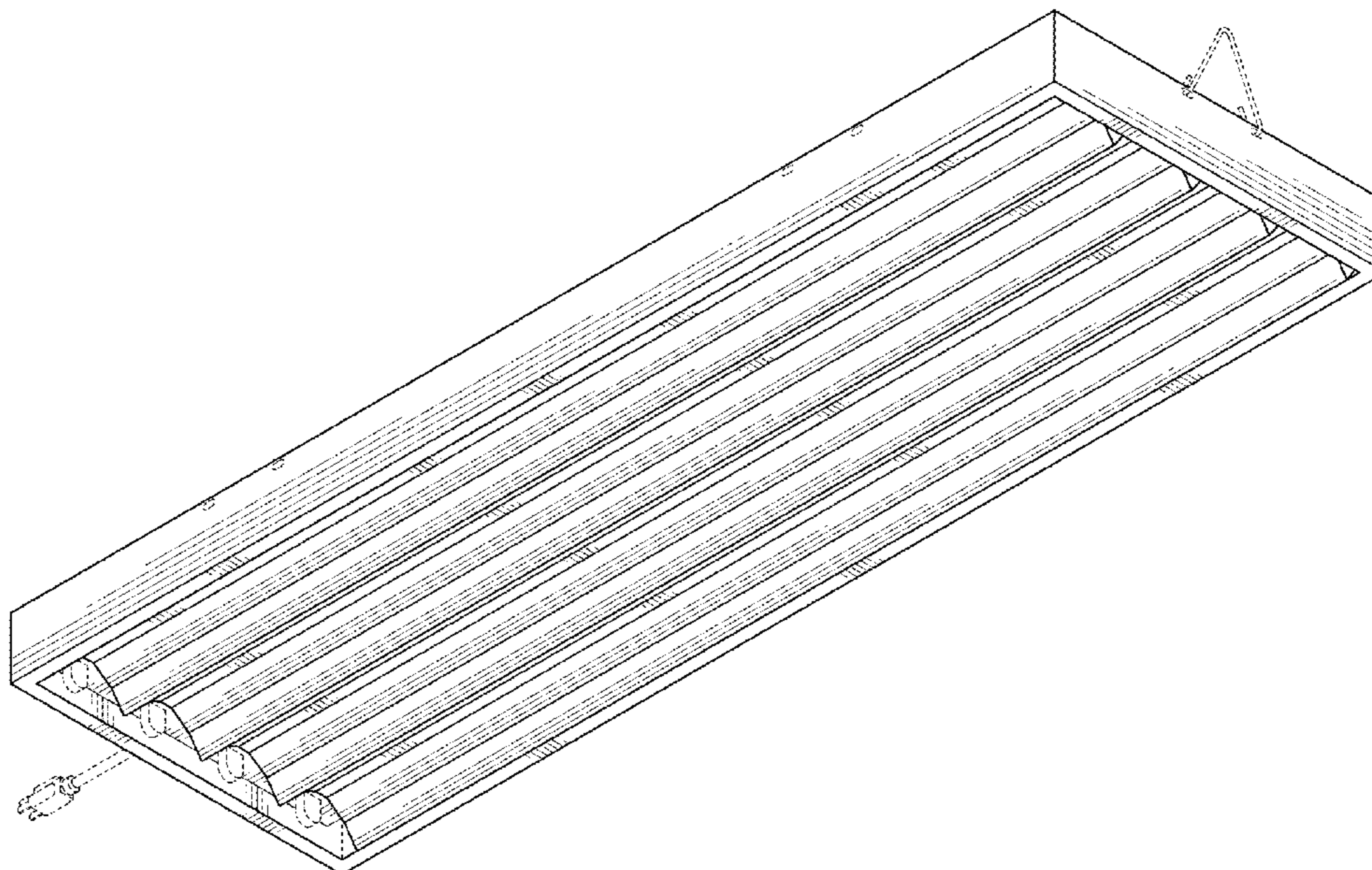
(57) **CLAIM**
The ornamental design for a fluorescent light fixture, as shown and described.

DESCRIPTION

FIG. 1 is a perspective view of a first embodiment of a fluorescent light fixture, as viewed from below, showing my new design;
FIG. 2 is a perspective view of the fixture shown in FIG. 1, as viewed from above;
FIG. 3 is a left side view of the fixture shown in FIG. 1;
FIG. 4 is a right side view of the fixture shown in FIG. 1;
FIG. 5 is a front elevation view of the fixture shown in FIG. 1;
FIG. 6 is a rear elevation view of the fixture shown in FIG. 1;
FIG. 7 is a top plan view of the fixture shown in FIG. 1;
FIG. 8 is a bottom plan view of the fixture shown in FIG. 1;
FIG. 9 is a perspective view of a second embodiment of a shop light fixture, as viewed from below, showing my new design;
FIG. 10 is a perspective view of the fixture shown in FIG. 9, as viewed from above;
FIG. 11 is a left side view of the fixture shown in FIG. 9;
FIG. 12 is a right side view of the fixture shown in FIG. 9;
FIG. 13 is a front elevation view of the fixture shown in FIG. 9;
FIG. 14 is a rear elevation view of the fixture shown in FIG. 9;
FIG. 15 is a top plan view of the fixture shown in FIG. 9; and
FIG. 16 is a bottom plan view of the fixture shown in FIG. 9.
The broken lines in the drawings illustrate portions of the fluorescent light fixture which form no part of the claimed design.

(56) **References Cited**
U.S. PATENT DOCUMENTS
1,410,945 A 3/1922 Walker
D122,145 S * 8/1940 MacCarthy 362/219
D123,768 S 12/1940 Scribner
D125,001 S 2/1941 Klingsick
D128,049 S 7/1941 Kurtz
D133,216 S 7/1942 Parlato
(Continued)

1 Claim, 9 Drawing Sheets



(56)

References Cited

U.S. PATENT DOCUMENTS

2,327,552 A	7/1943	Poehling	D456,928 S	5/2002	Russello	
2,379,798 A	10/1945	Guth	D456,938 S	5/2002	Wardenburg	
D147,812 S	11/1947	Picker	D463,059 S *	9/2002	Verfuertth	D26/78
D180,533 S	6/1957	Stevens	D465,869 S	11/2002	Bodell	
2,899,541 A	8/1959	De Mauro	6,527,422 B1	3/2003	Hutchison	
D186,329 S	10/1959	Guth	6,595,662 B2	7/2003	Wardenburg	
D187,337 S	3/1960	Arnold	D494,700 S *	8/2004	Hartman	D26/76
D198,183 S	5/1964	Akely	D497,026 S	10/2004	Hand	
D202,648 S	10/1965	Meyer	D499,504 S	12/2004	Meyer	
3,836,765 A	9/1974	Ritzow	6,908,212 B2	6/2005	Schultz	
3,860,829 A	1/1975	Fabbri	D520,173 S	5/2006	Plunk	
4,078,169 A	3/1978	Armstrong	D521,172 S	5/2006	Chen	
D259,738 S	6/1981	Boschetti	7,083,309 B2	8/2006	Chan	
4,342,072 A	7/1982	Guritz	D542,460 S	5/2007	Hargreaves	
D277,416 S	1/1985	Brown	D543,651 S	5/2007	Hargreaves	
D311,597 S	10/1990	Poot	D543,653 S	5/2007	Hargreaves	
5,025,356 A	6/1991	Gawad	D543,654 S	5/2007	Hargreaves	
D323,897 S	2/1992	Compton	D544,129 S	6/2007	Hargreaves	
5,089,940 A	2/1992	Lanzarone	D544,130 S	6/2007	Hargreaves	
5,113,328 A	5/1992	Foster	D544,139 S	6/2007	Hargreaves	
5,195,822 A	3/1993	Takahashi	D544,266 S	6/2007	Hargreaves	
D344,605 S	2/1994	Aspenwall	D544,980 S	6/2007	Hargreaves	
D349,358 S	8/1994	Herst	D544,981 S	6/2007	Hargreaves	
D352,126 S	11/1994	Ruud	D544,982 S	6/2007	Hargreaves	
D361,393 S	8/1995	Vakil	D544,983 S	6/2007	Hargreaves	
5,440,470 A	8/1995	Ly	D544,985 S	6/2007	Hargreaves	
5,479,327 A	12/1995	Chen	D545,475 S	6/2007	Hargreaves	
D375,180 S	10/1996	Lyons	7,524,090 B2	4/2009	Hargreaves	
D376,437 S	12/1996	Karlo	D592,786 S	5/2009	Bisberg	
D383,560 S	9/1997	Palmer	7,534,011 B2	5/2009	Townsley	
D391,382 S	2/1998	Rahn	D596,778 S *	7/2009	Yamazato	D26/76
D399,328 S	10/1998	Compton	D603,999 S *	11/2009	Fowler, Jr.	D26/76
D400,289 S	10/1998	Wardenburg	7,784,966 B2	8/2010	Verfuertth	
D405,907 S	2/1999	Herst	D632,418 S *	2/2011	Bisberg	D26/76
D415,304 S	10/1999	Brown	7,972,044 B2	7/2011	Burkhauser	
D417,303 S	11/1999	Rahn	7,982,376 B2	7/2011	Keen	
D418,626 S	1/2000	Herst	8,136,958 B2	3/2012	Verfuertth	
6,024,468 A	2/2000	Kassay	8,322,011 B2	12/2012	Hargreaves	
D428,516 S	7/2000	Reo	D675,365 S	1/2013	Beghelli	
D430,688 S	9/2000	Plunk	D703,858 S *	4/2014	Miller	D26/76
D431,876 S	10/2000	Lewis	D704,372 S	5/2014	Speier	
D445,943 S	7/2001	Littman	D711,037 S *	8/2014	Lehman	D26/77
D446,333 S	8/2001	Frois	D723,206 S	2/2015	Lewis, Jr.	
D447,266 S	8/2001	Verfuertth	8,960,950 B2	2/2015	Risley	
6,299,327 B1	10/2001	Camarota	2002/0141195 A1	10/2002	Wardenburg	
D456,551 S	4/2002	Russello	2006/0055293 A1	3/2006	Ngai	
D456,552 S	4/2002	Russello	2007/0211457 A1	9/2007	Mayfield	
D456,553 S	4/2002	Russello	2008/0117617 A1	5/2008	Hargreaves	
D456,927 S	5/2002	Russello	2008/0205071 A1	8/2008	Townsley	
			2011/0183308 A1	7/2011	Hsu	

* cited by examiner

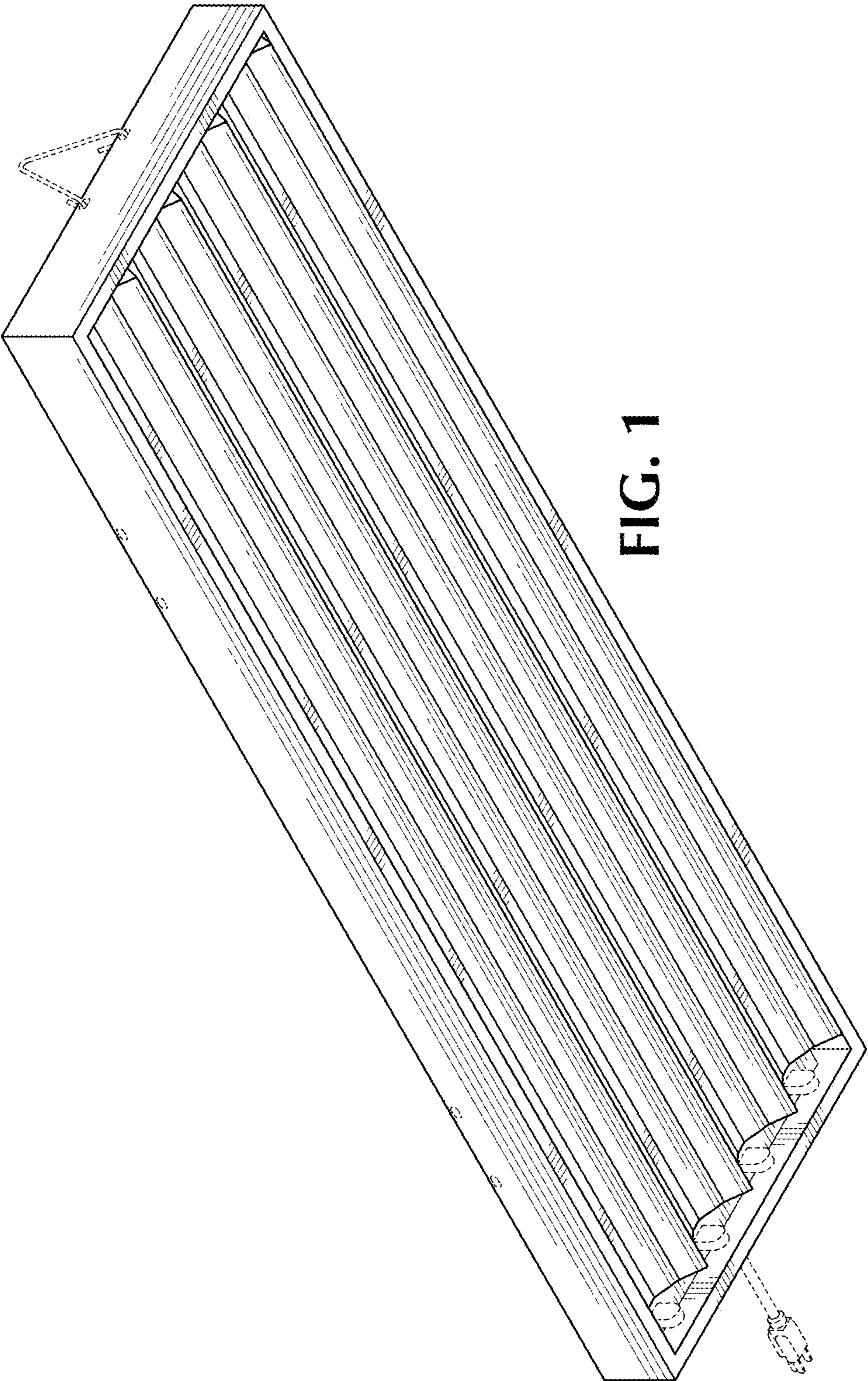


FIG. 1

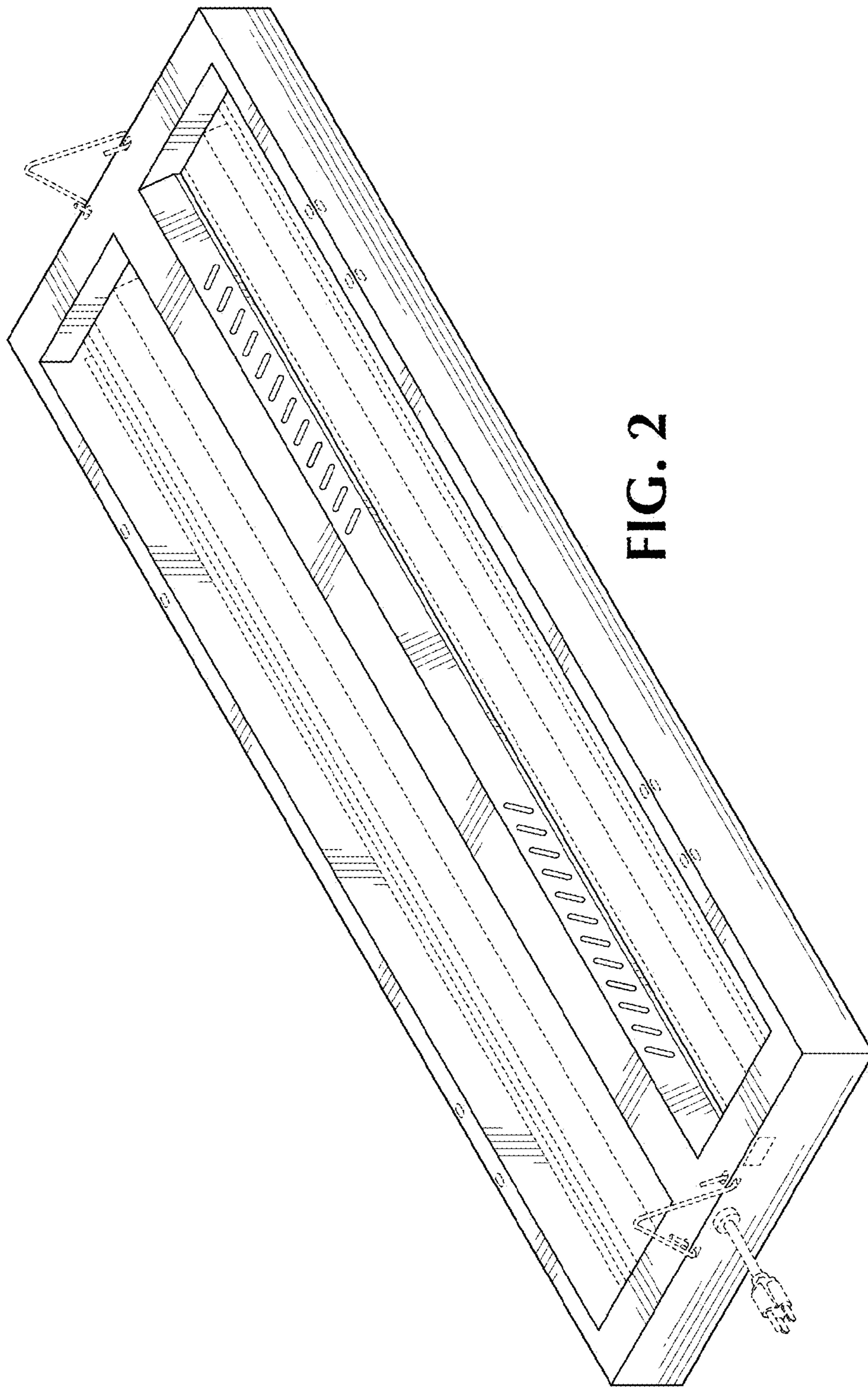


FIG. 2

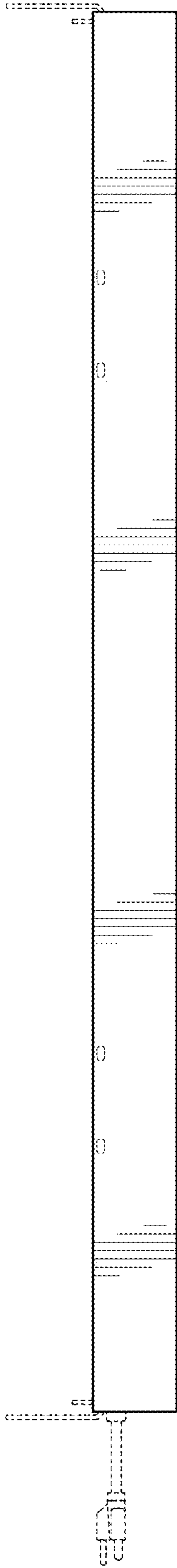


FIG. 3

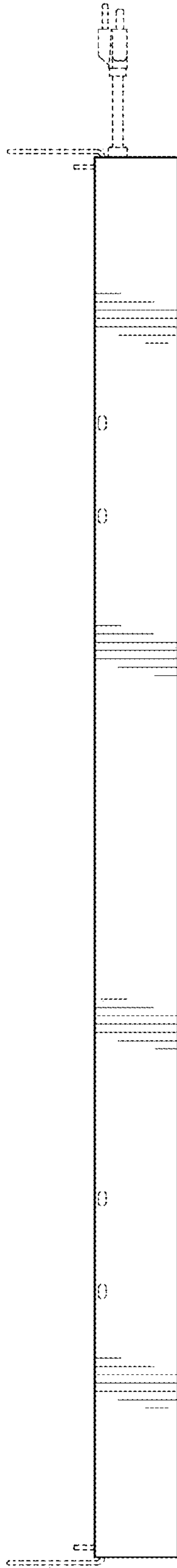


FIG. 4

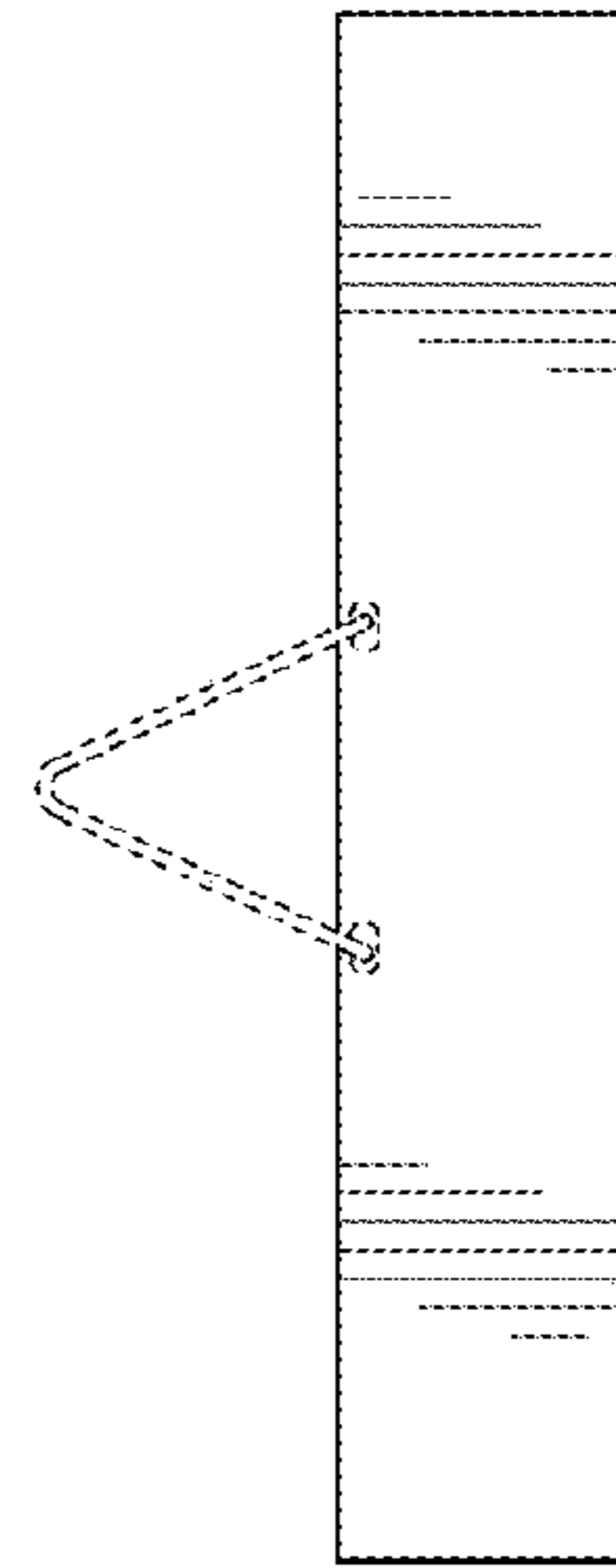


FIG. 5

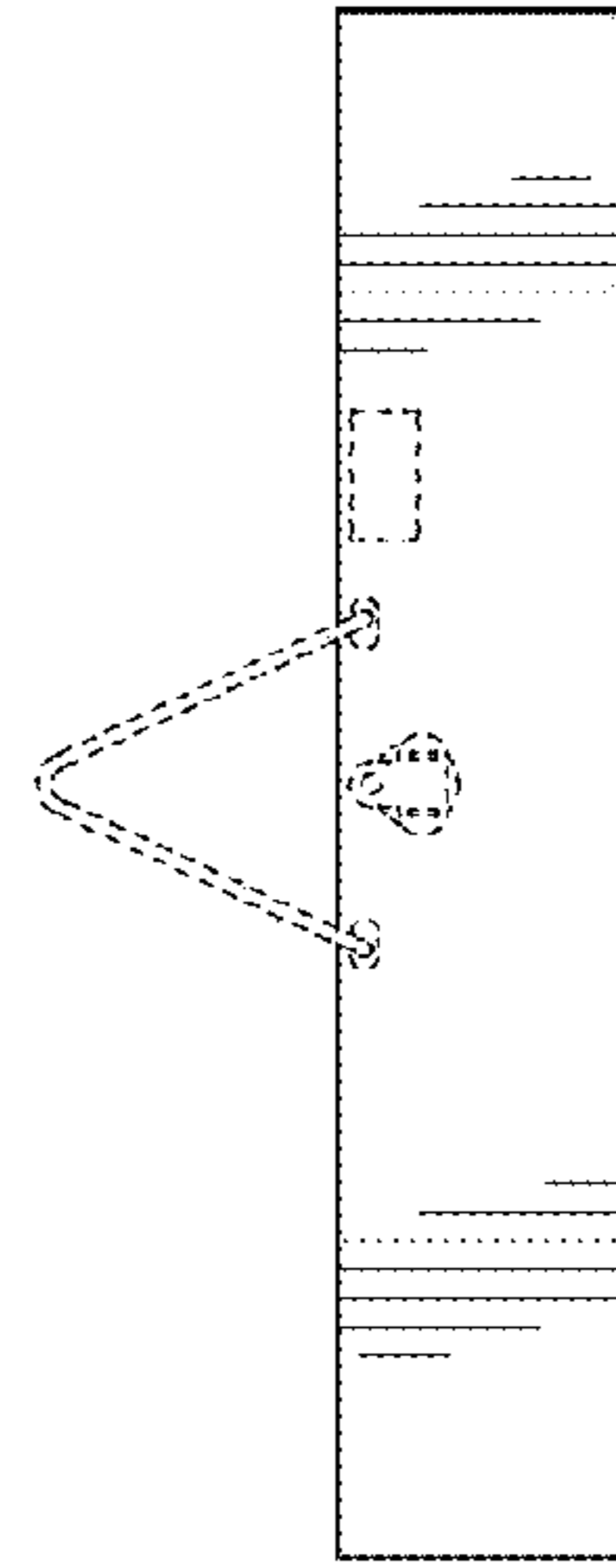


FIG. 6

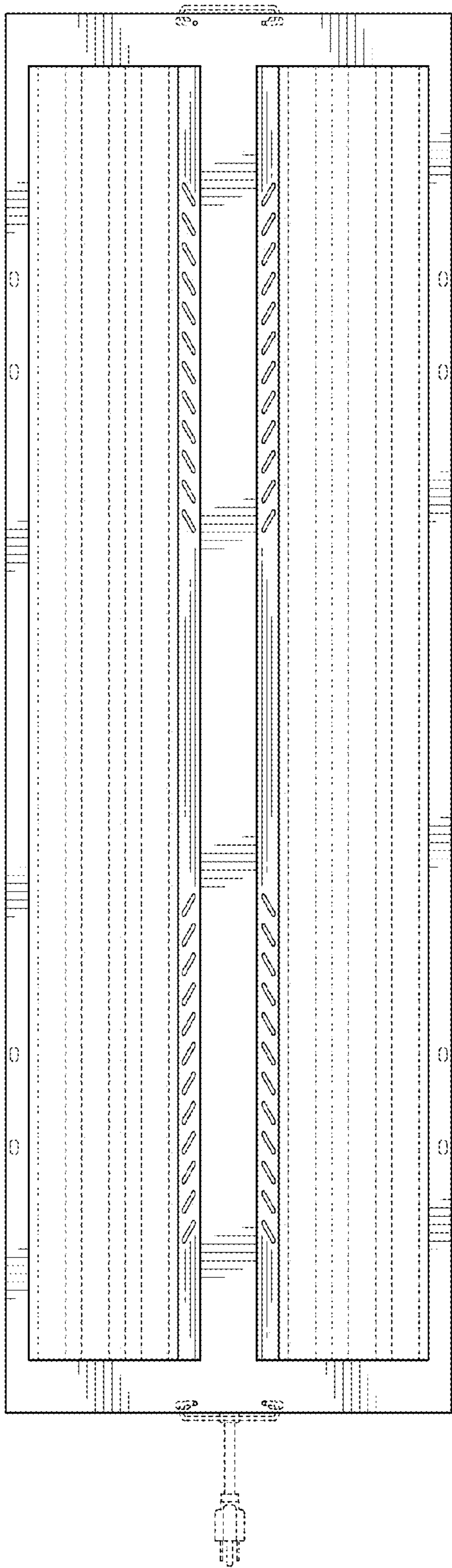


FIG. 7

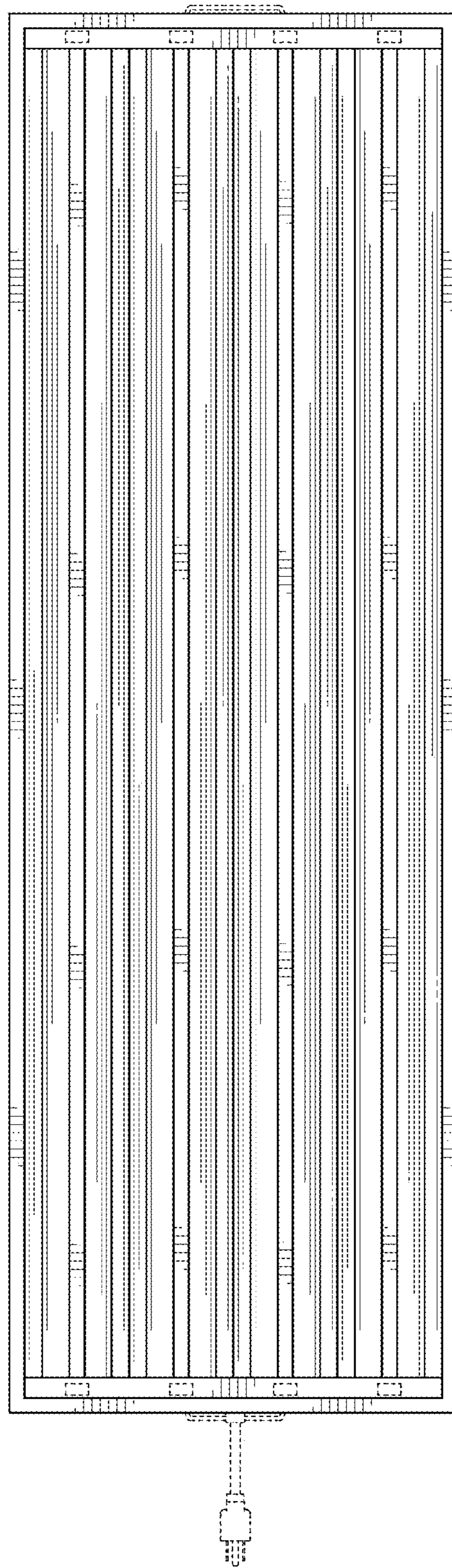


FIG. 8

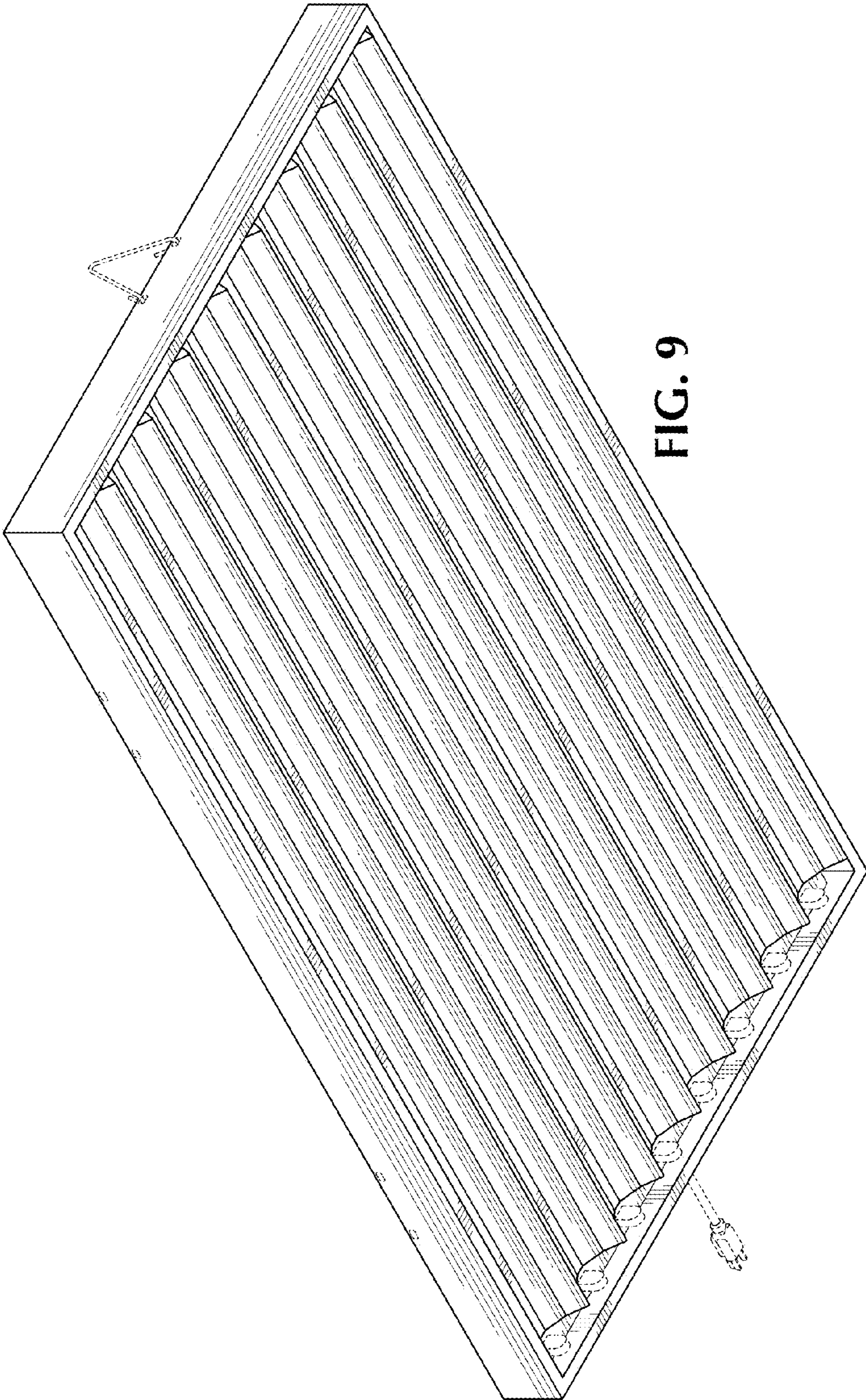


FIG. 9

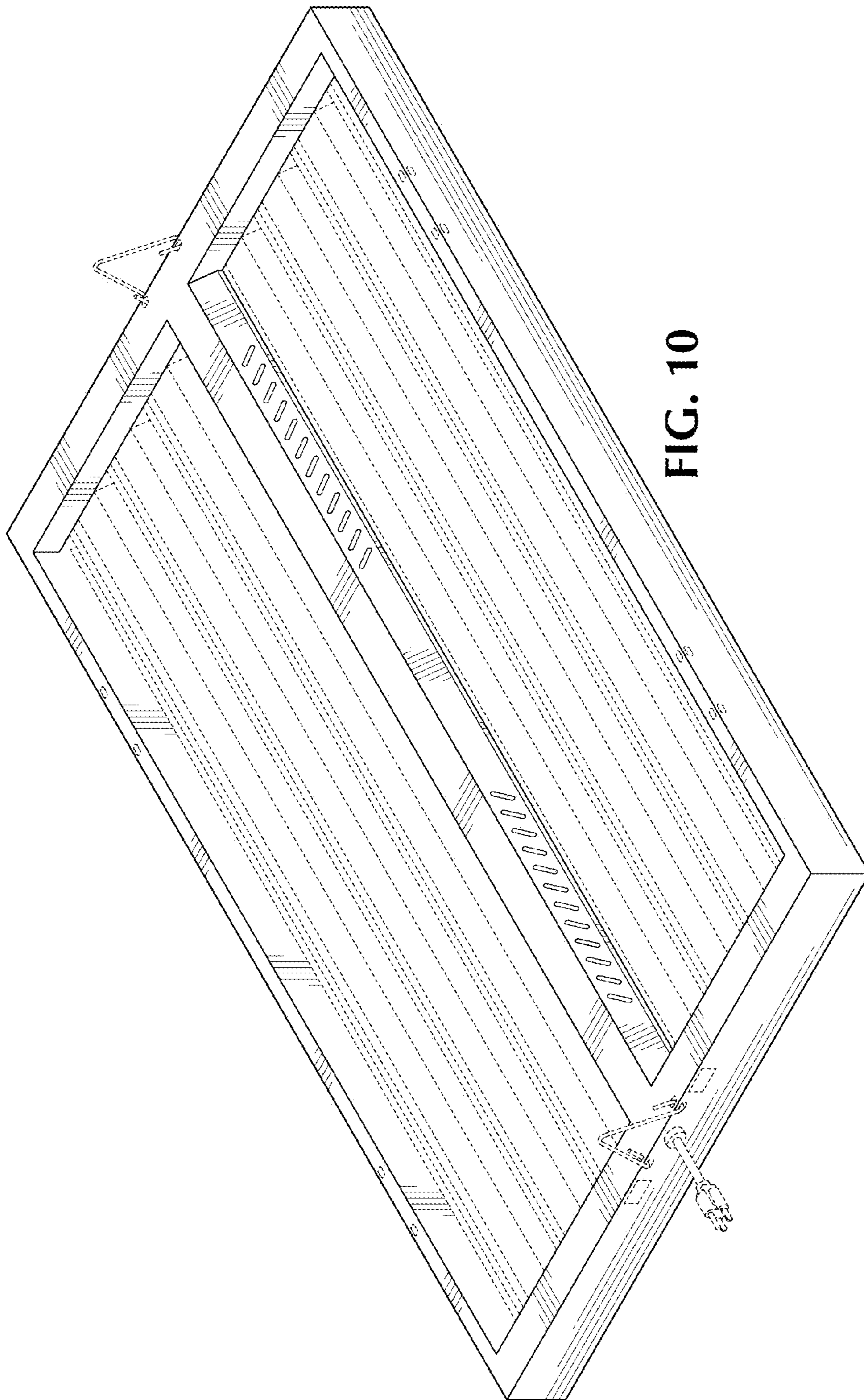


FIG. 10

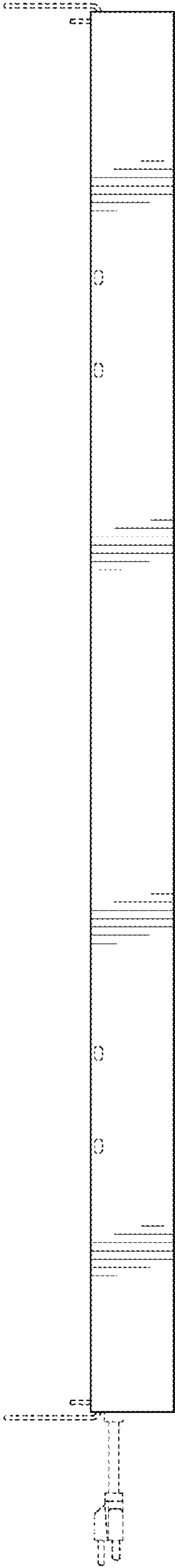


FIG. 11

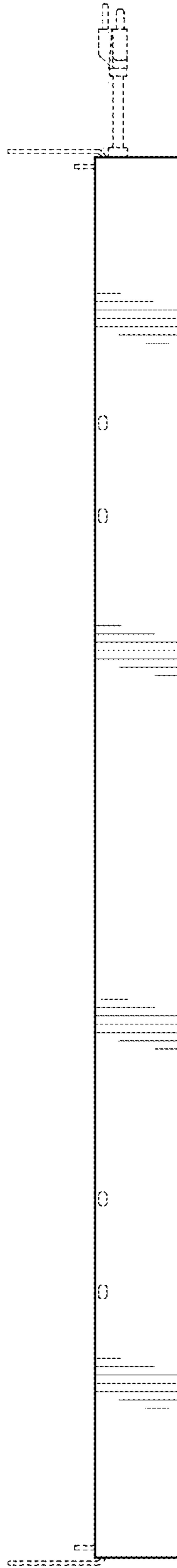


FIG. 12

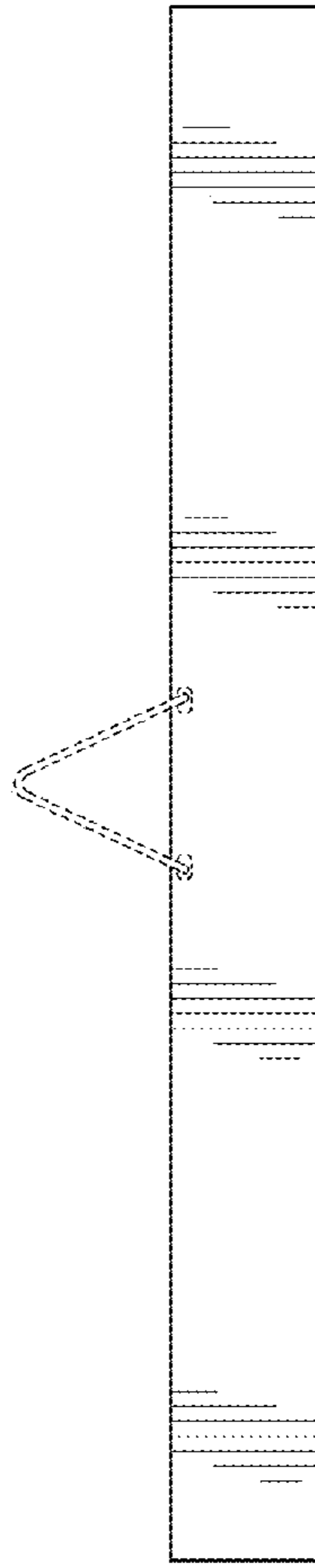


FIG. 13

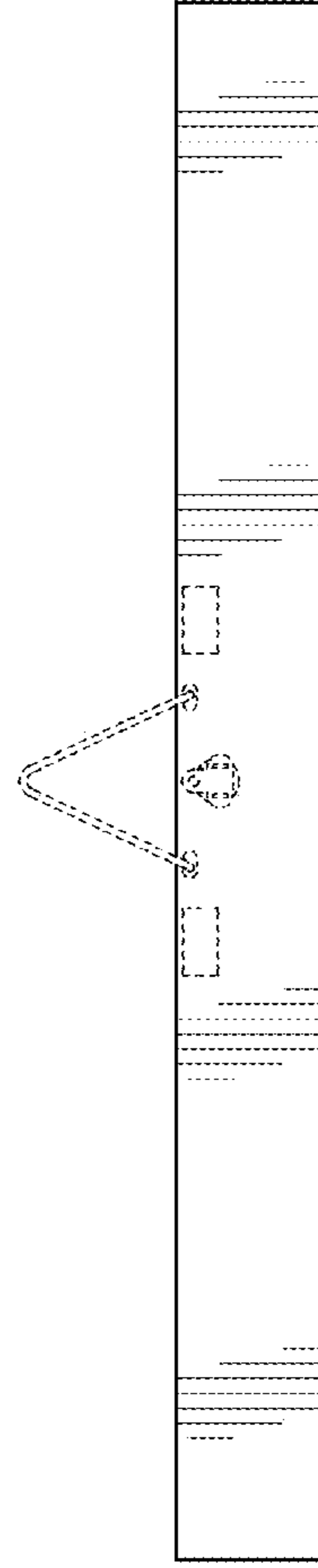


FIG. 14

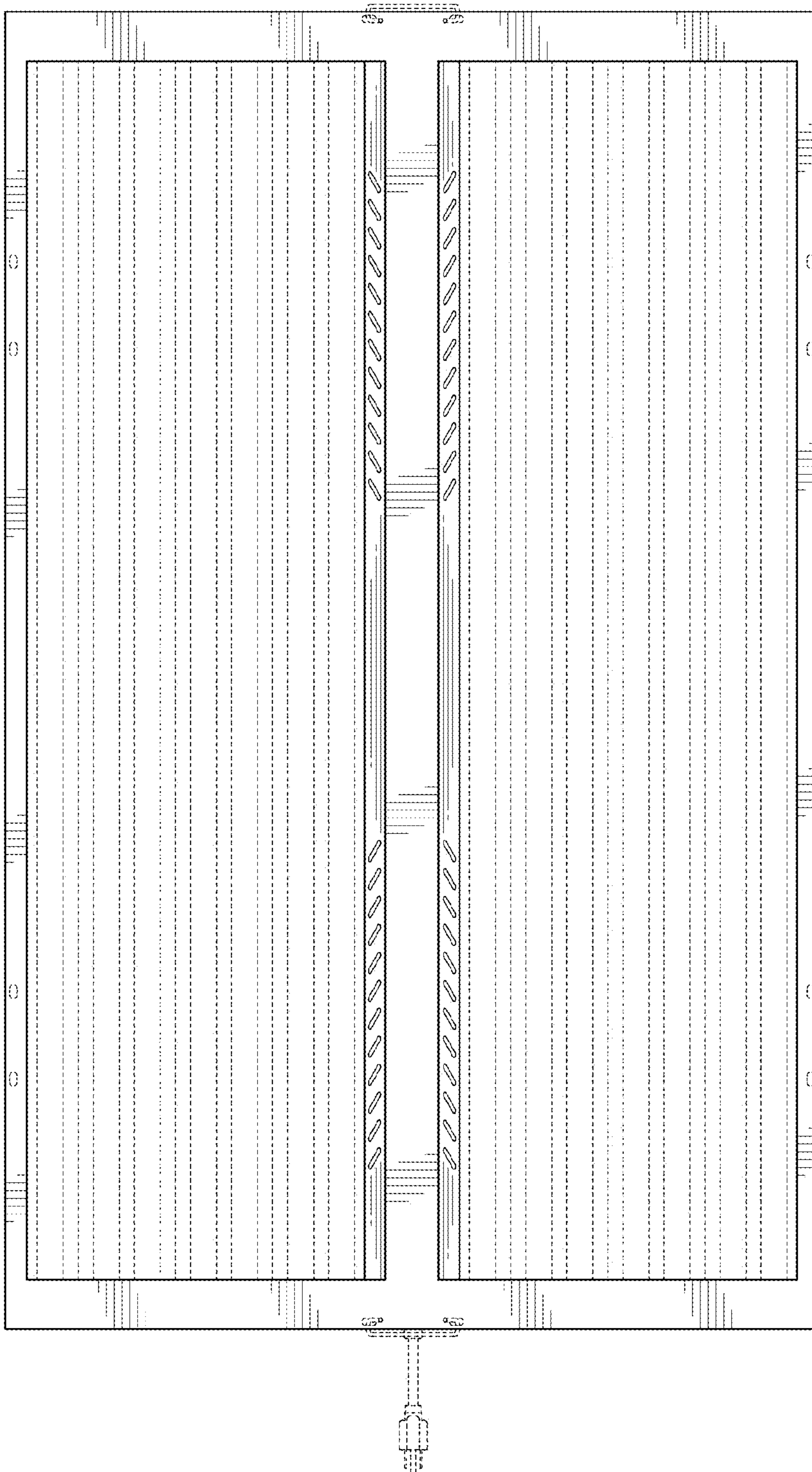


FIG. 15

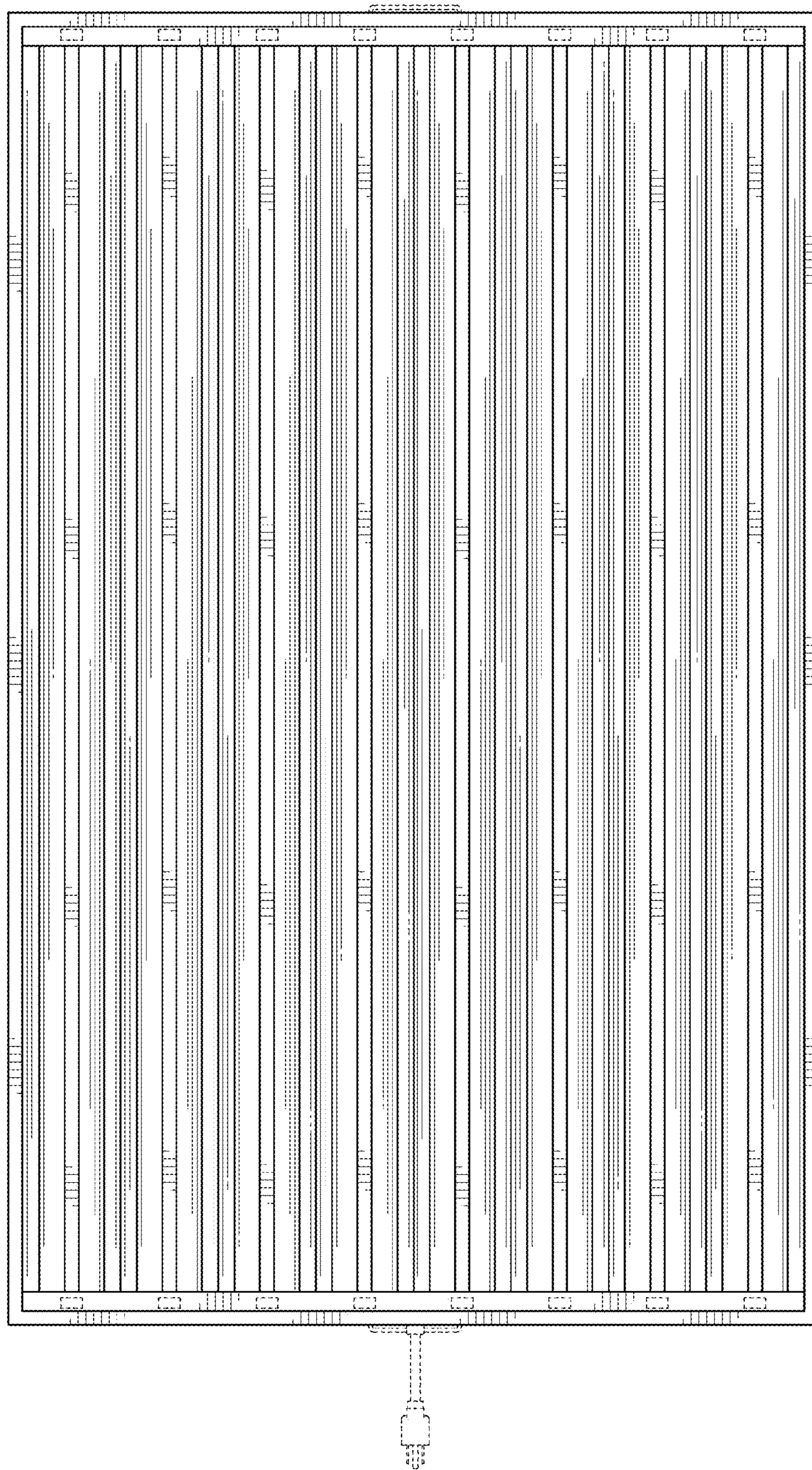


FIG. 16