



US00D757326S

(12) **United States Design Patent**
Reynolds

(10) **Patent No.:** **US D757,326 S**
(45) **Date of Patent:** **** May 24, 2016**

- (54) **FLUORESCENT LIGHT FIXTURE**
- (71) Applicant: **IP Holdings, LLC**, Vancouver, WA (US)
- (72) Inventor: **Christopher Reynolds**, Vancouver, WA (US)
- (73) Assignee: **IP Holdings, LLC**, Vancouver, WA (US)
- (**) Term: **14 Years**
- (21) Appl. No.: **29/496,420**
- (22) Filed: **Jul. 11, 2014**
- (51) **LOC (10) Cl.** **26-03**
- (52) **U.S. Cl.**
USPC **D26/76**
- (58) **Field of Classification Search**
USPC D26/24, 39, 59, 67, 68, 69, 70, 71, 72,
D26/74, 76, 77, 80, 88, 89, 98, 138, 139,
D26/140, 141, 142, 151, 152
CPC F24S 4/001; F24S 4/005; F24S 8/00;
F24S 8/04; F24S 8/043; F24S 8/046; F24S
8/06-8/065; F24S 13/02; F24S 13/04; F24S
13/06
See application file for complete search history.

- (56) **References Cited**
U.S. PATENT DOCUMENTS
1,410,945 A 3/1922 Walker
D122,145 S * 8/1940 MacCarthy 362/219
D123,768 S 12/1940 Scribner
D125,001 S 2/1941 Klingsick
D128,049 S 7/1941 Kurtz
D133,216 S 7/1942 Parlato
2,327,552 A 7/1943 Poehling
2,379,798 A 10/1945 Guth
D147,812 S 11/1947 Picker

- 2,619,583 A * 11/1952 Baumgartner F21S 8/04
362/221
- D180,533 S 6/1957 Stevens
- 2,899,541 A 8/1959 De Mauro
- D186,329 S 10/1959 Guth
- D187,337 S 3/1960 Arnold
- D198,183 S 5/1964 Akely
- D202,648 S 10/1965 Meyer
- 3,836,765 A 9/1974 Ritzow
- 3,860,829 A 1/1975 Fabbri
- 4,078,169 A 3/1978 Armstrong
- D259,738 S 6/1981 Boschetti
- 4,342,072 A 7/1982 Guritz
- D277,416 S 1/1985 Brown
- D311,597 S 10/1990 Poot

(Continued)

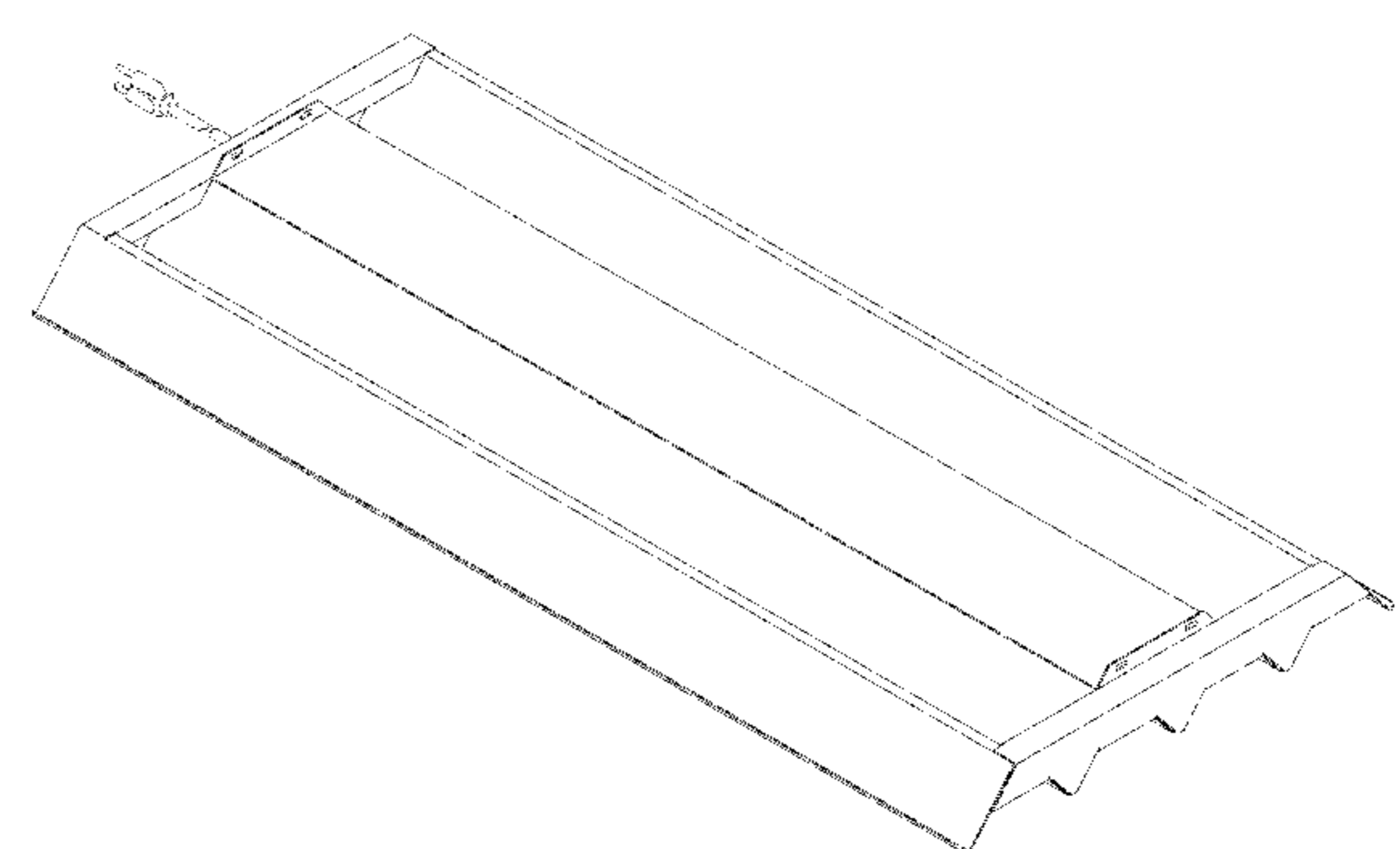
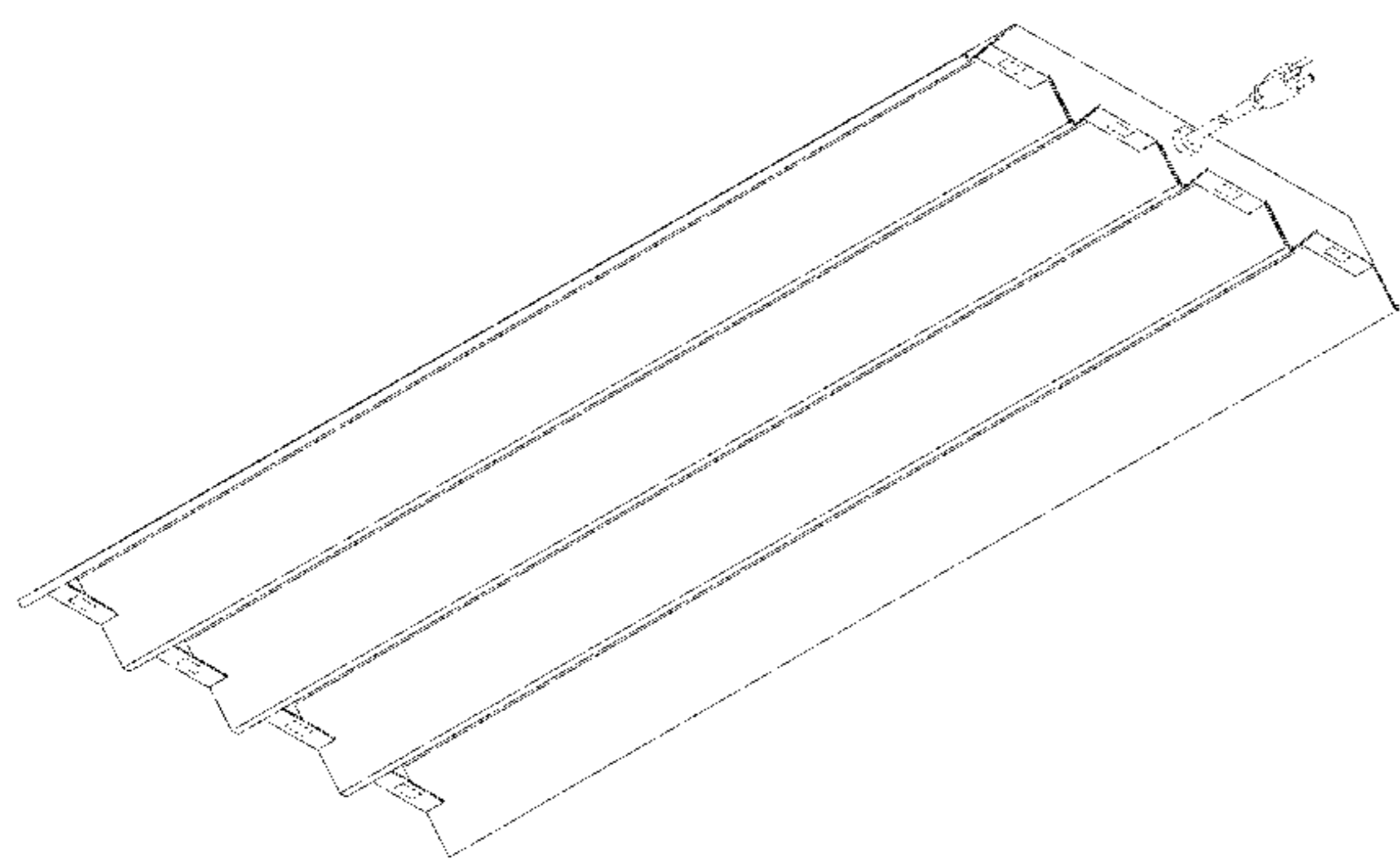
Primary Examiner — George D Kirschbaum
Assistant Examiner — Natasha Vujcic
(74) *Attorney, Agent, or Firm* — J. Douglas Wells

(57) **CLAIM**
The ornamental design for a fluorescent light fixture, as shown and described.

DESCRIPTION

FIG. 1 is a perspective view of a fluorescent light fixture, as viewed from below, showing my new design;
FIG. 2 is a perspective view of the fixture shown in FIG. 1, as viewed from above;
FIG. 3 is a left side view of the fixture shown in FIG. 1;
FIG. 4 is a right side view of the fixture shown in FIG. 1;
FIG. 5 is a front elevation view of the fixture shown in FIG. 1;
FIG. 6 is a rear elevation view of the fixture shown in FIG. 1;
FIG. 7 is a top plan view of the fixture shown in FIG. 1; and,
FIG. 8 is a bottom plan view of the fixture shown in FIG. 1.
The broken lines in the drawings illustrate portions of the fluorescent light fixture which form no part of the claimed design.

1 Claim, 5 Drawing Sheets



(56)

References Cited

U.S. PATENT DOCUMENTS

5,025,356 A	6/1991	Gawad		D499,504 S	12/2004	Meyer	
D323,897 S	2/1992	Compton		6,908,212 B2	6/2005	Schultz	
5,089,940 A	2/1992	Lanzarone		D520,173 S	5/2006	Plunk	
5,113,328 A	5/1992	Foster		D521,172 S	5/2006	Chen	
5,195,822 A	3/1993	Takahashi		7,083,309 B2	8/2006	Chan	
D344,605 S	2/1994	Aspenwall		D542,460 S	5/2007	Hargreaves	
D349,358 S	8/1994	Herst		D543,651 S	5/2007	Hargreaves	
D352,126 S	11/1994	Ruud		D543,653 S	5/2007	Hargreaves	
D361,393 S	8/1995	Vakil		D543,654 S	5/2007	Hargreaves	
5,440,470 A	8/1995	Ly		D544,129 S	6/2007	Hargreaves	
5,479,327 A	12/1995	Chen		D544,130 S *	6/2007	Hargreaves	D26/76
D375,180 S	10/1996	Lyons		D544,139 S	6/2007	Hargreaves	
D376,437 S	12/1996	Karlo		D544,626 S	6/2007	Hargreaves	
D383,560 S	9/1997	Palmer		D544,980 S	6/2007	Hargreaves	
D391,382 S	2/1998	Rahn		D544,981 S	6/2007	Hargreaves	
D399,328 S	10/1998	Compton		D544,982 S	6/2007	Hargreaves	
D400,289 S	10/1998	Wardenburg		D544,983 S	6/2007	Hargreaves	
D405,907 S	2/1999	Herst		D544,985 S	6/2007	Hargreaves	
D415,304 S	10/1999	Brown		D545,475 S	6/2007	Hargreaves	
D417,303 S	11/1999	Rahn		7,524,090 B2	4/2009	Hargreaves	
D418,626 S	1/2000	Herst		D592,786 S	5/2009	Bisberg	
6,024,468 A	2/2000	Kassay		7,534,011 B2	5/2009	Townsley	
D428,516 S	7/2000	Reo		D595,894 S *	7/2009	Verfuert	D26/122
D430,688 S	9/2000	Plunk		7,628,506 B2 *	12/2009	Verfuert	F21S 8/06 362/218
D431,876 S	10/2000	Lewis		7,784,966 B2	8/2010	Verfuert	
D445,943 S	7/2001	Littman		D632,418 S *	2/2011	Bisberg	D26/76
D446,333 S	8/2001	Frois		7,972,044 B2	7/2011	Burkhauser	
D447,266 S	8/2001	Verfuert		7,982,376 B2	7/2011	Keen	
6,299,327 B1	10/2001	Camarota		8,136,958 B2	3/2012	Verfuert	
D456,551 S	4/2002	Rusello		8,322,011 B2	12/2012	Hargreaves	
D456,552 S	4/2002	Rusello		D675,365 S	1/2013	Beghelli	
D456,553 S	4/2002	Rusello		8,376,583 B2 *	2/2013	Wang	F21V 17/002 362/249.02
D456,927 S	5/2002	Rusello		D704,372 S	5/2014	Speier	
D456,928 S	5/2002	Rusello		D723,206 S	2/2015	Lewis, Jr.	
D456,938 S	5/2002	Wardenburg		8,960,950 B2	2/2015	Risley	
D465,869 S *	11/2002	Bodell	D26/78	2002/0141195 A1	10/2002	Wardenburg	
6,527,422 B1	3/2003	Hutchison		2006/0055293 A1	3/2006	Ngai	
6,585,396 B1 *	7/2003	Verfuert	F21S 8/06 362/221	2007/0211457 A1	9/2007	Mayfield	
6,595,662 B2	7/2003	Wardenburg		2008/0117617 A1	5/2008	Hargreaves	
D497,026 S	10/2004	Hand		2008/0205071 A1	8/2008	Townsley	
				2011/0183308 A1	7/2011	Hsu	

* cited by examiner

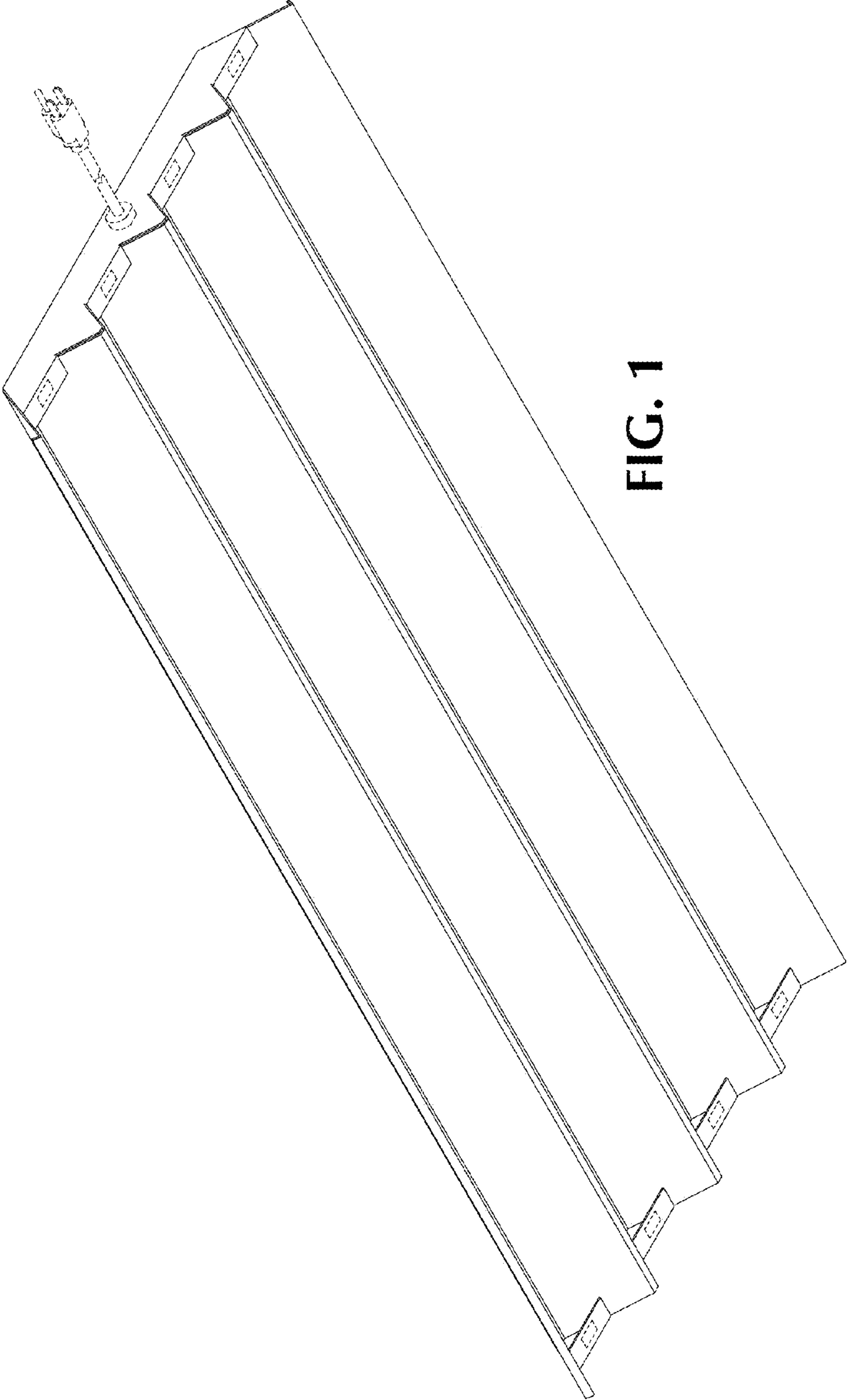


FIG. 1

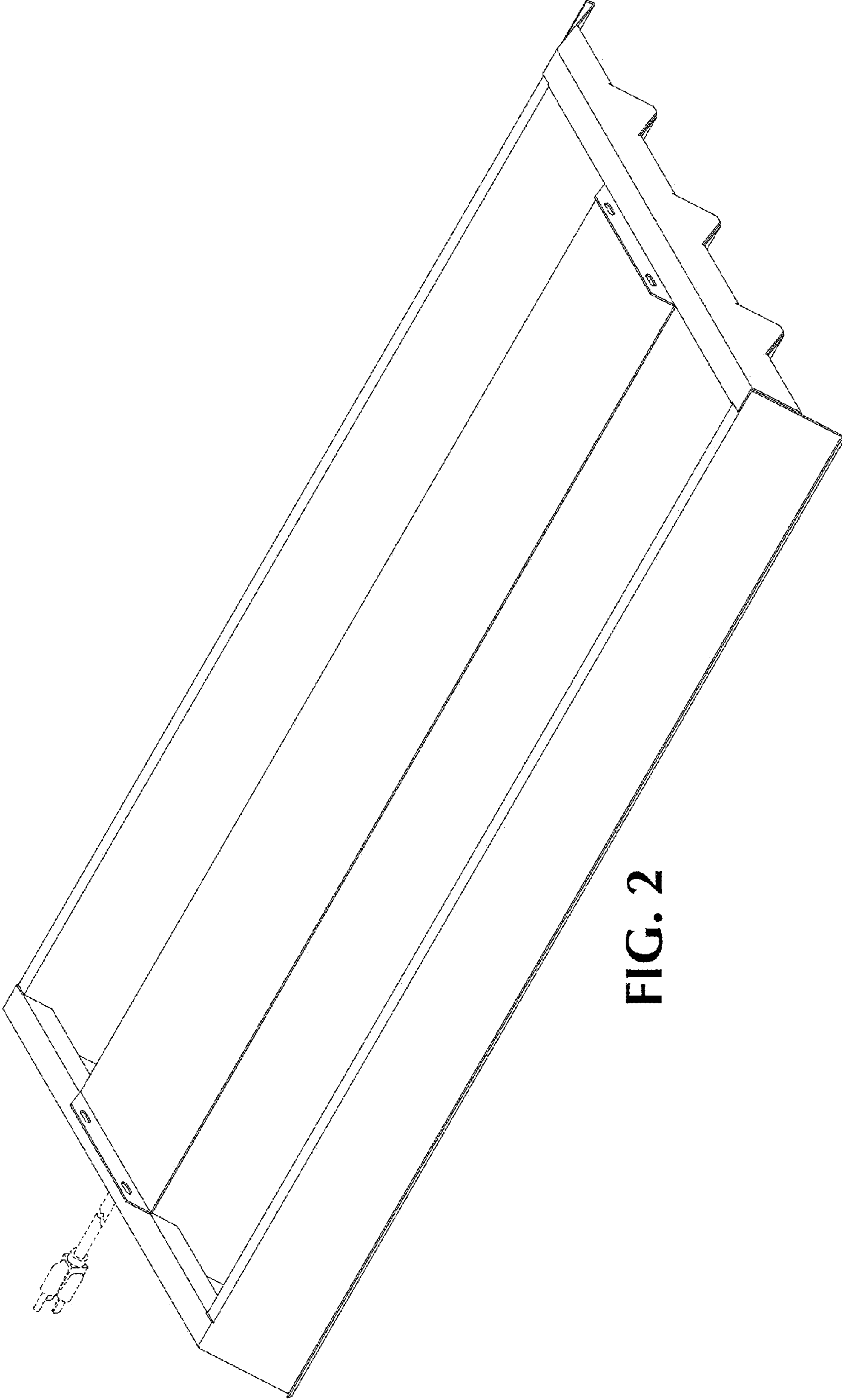


FIG. 2

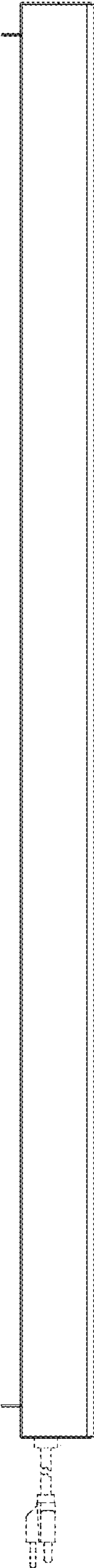


FIG. 3

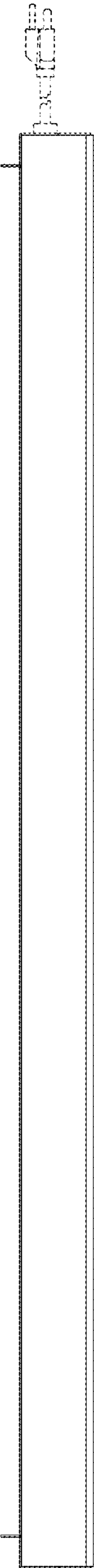


FIG. 4

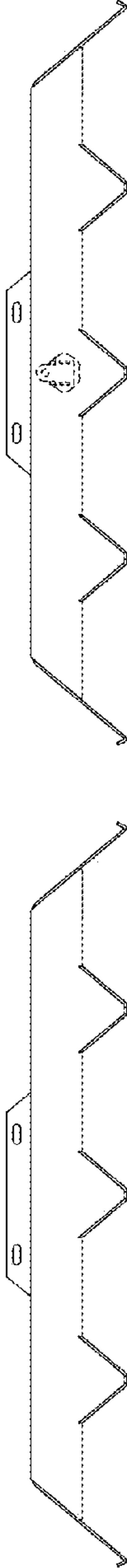


FIG. 5

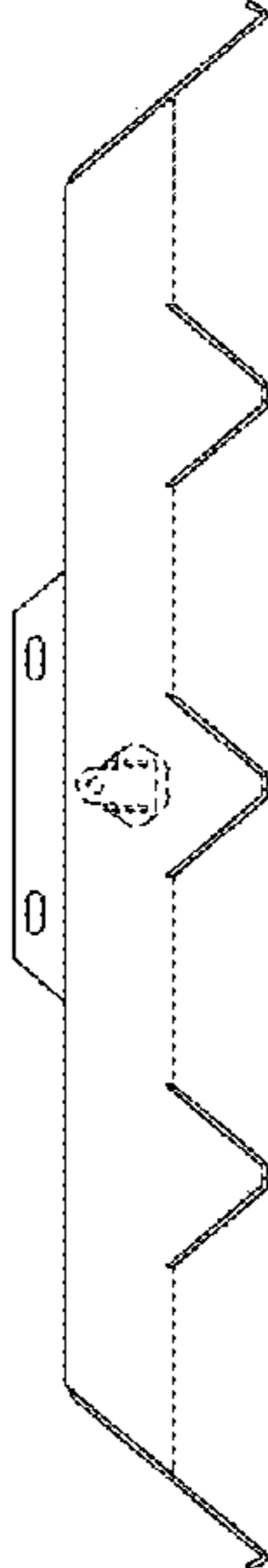


FIG. 6

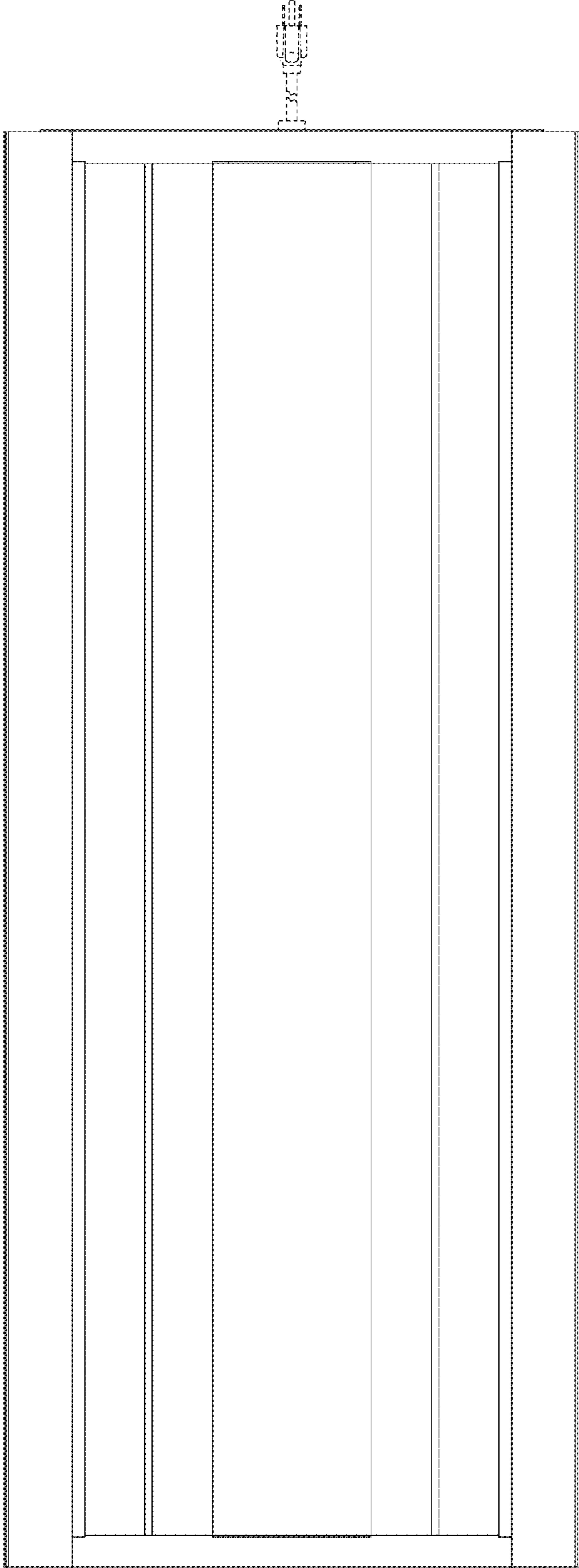


FIG. 7

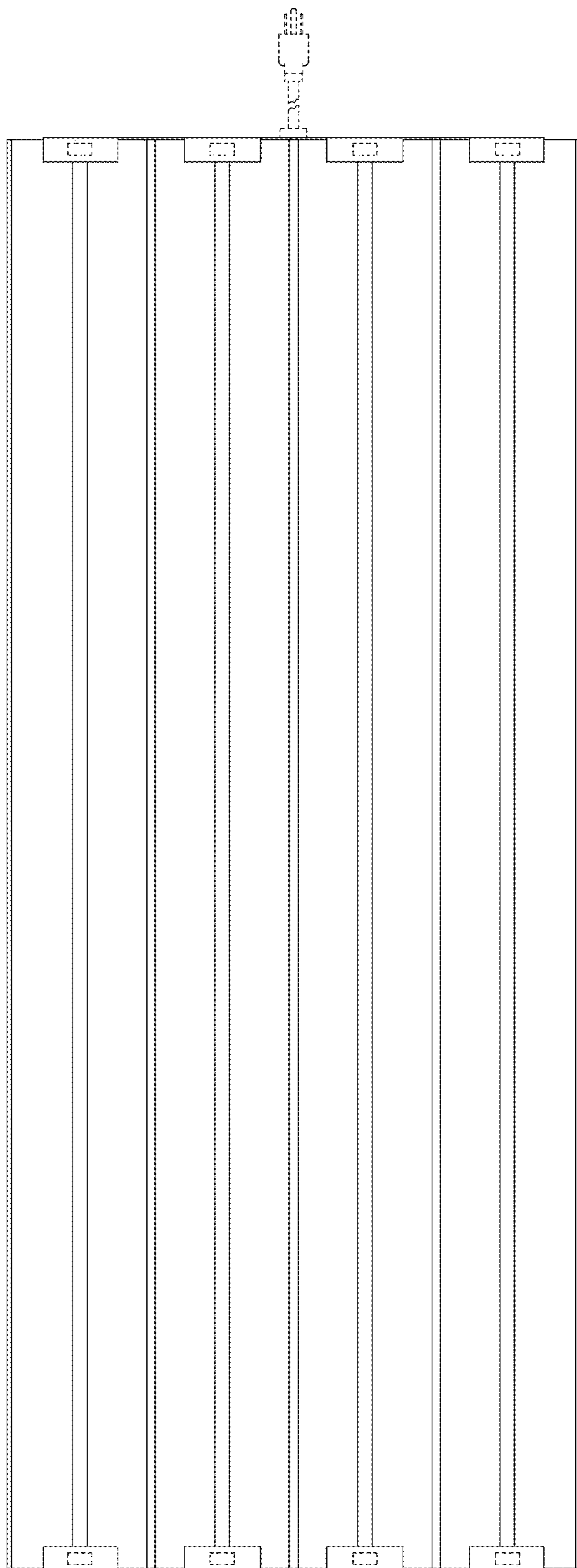


FIG. 8