



US00D757324S

(12) **United States Design Patent**
Rodgers et al.

(10) **Patent No.:** **US D757,324 S**

(45) **Date of Patent:** **** May 24, 2016**

(54) **LINEAR SHELF LIGHT FIXTURE WITH REFLECTORS**

(71) Applicant: **CREE, INC.**, Durham, NC (US)

(72) Inventors: **Elizabeth Rodgers**, Raleigh, NC (US);
Benjamin Beck, Union Grove, WI (US);
James Bowden, Fuquay-Varina, NC (US);
Yaote Huang, Morrisville, NC (US);
William Laird Dungan, Cary, NC (US)

(73) Assignee: **CREE, INC.**, Durham, NC (US)

(**) Term: **14 Years**

(21) Appl. No.: **29/487,979**

(22) Filed: **Apr. 14, 2014**

(51) **LOC (10) Cl.** **26-03**

(52) **U.S. Cl.**
USPC **D26/76**

(58) **Field of Classification Search**
USPC D26/72, 75-78, 80, 92, 118; 362/147,
362/217.01, 218, 219, 223
CPC F21S 8/06; F21S 8/031; F21S 4/00;
F21Y 2101/00

See application file for complete search history.

(56) **References Cited**

U.S. PATENT DOCUMENTS

908,838	A *	1/1909	Brown	362/322
1,150,118	A *	8/1915	Hewitt	362/84
1,746,024	A *	2/1930	Brandt, Sr.	313/358
D110,198	S *	6/1938	Stewart	D26/78
2,227,739	A *	1/1941	Pollard	362/218
D127,475	S *	5/1941	House	D26/78
D133,986	S *	10/1942	Gordon	D26/76
D134,081	S *	10/1942	Gordon	D26/76
2,332,770	A *	10/1943	Abernathy	362/221
2,379,798	A *	7/1945	Guth	362/225
D153,837	S *	5/1949	Walsh	D26/76
D159,426	S *	7/1950	Lepore	D26/76

2,526,074	A *	10/1950	Guth	362/224
4,118,763	A	10/1978	Osteen	359/833
4,300,185	A	11/1981	Wakamatsu	362/147
4,464,707	A	8/1984	Forrest	362/271.06
4,472,767	A	9/1984	Wenman	362/147

(Continued)

OTHER PUBLICATIONS

Office Action from U.S. Appl. No. 13/834,605, dated Apr. 9, 2015.
(Continued)

Primary Examiner — Clare E Heflin

(74) *Attorney, Agent, or Firm* — Koppel, Patrick, Heybl & Philpott

(57) **CLAIM**

The ornamental design for a linear shelf light fixture with reflectors, as shown and described.

DESCRIPTION

FIGS. 1A-B are a bottom perspective view of a light fixture according to an embodiment of the present invention.

FIG. 2 is a right end elevation view thereof, with the left end being identical.

FIGS. 3A-B are a top plan view thereof.

FIGS. 4A-B are a right side elevation view thereof, with the left side being identical.

FIGS. 5A-B are a bottom plan view thereof.

FIGS. 6A-D are a bottom perspective view of a light fixture according to an embodiment of the present invention.

FIG. 7 is a right end elevation view thereof, with the left end being identical.

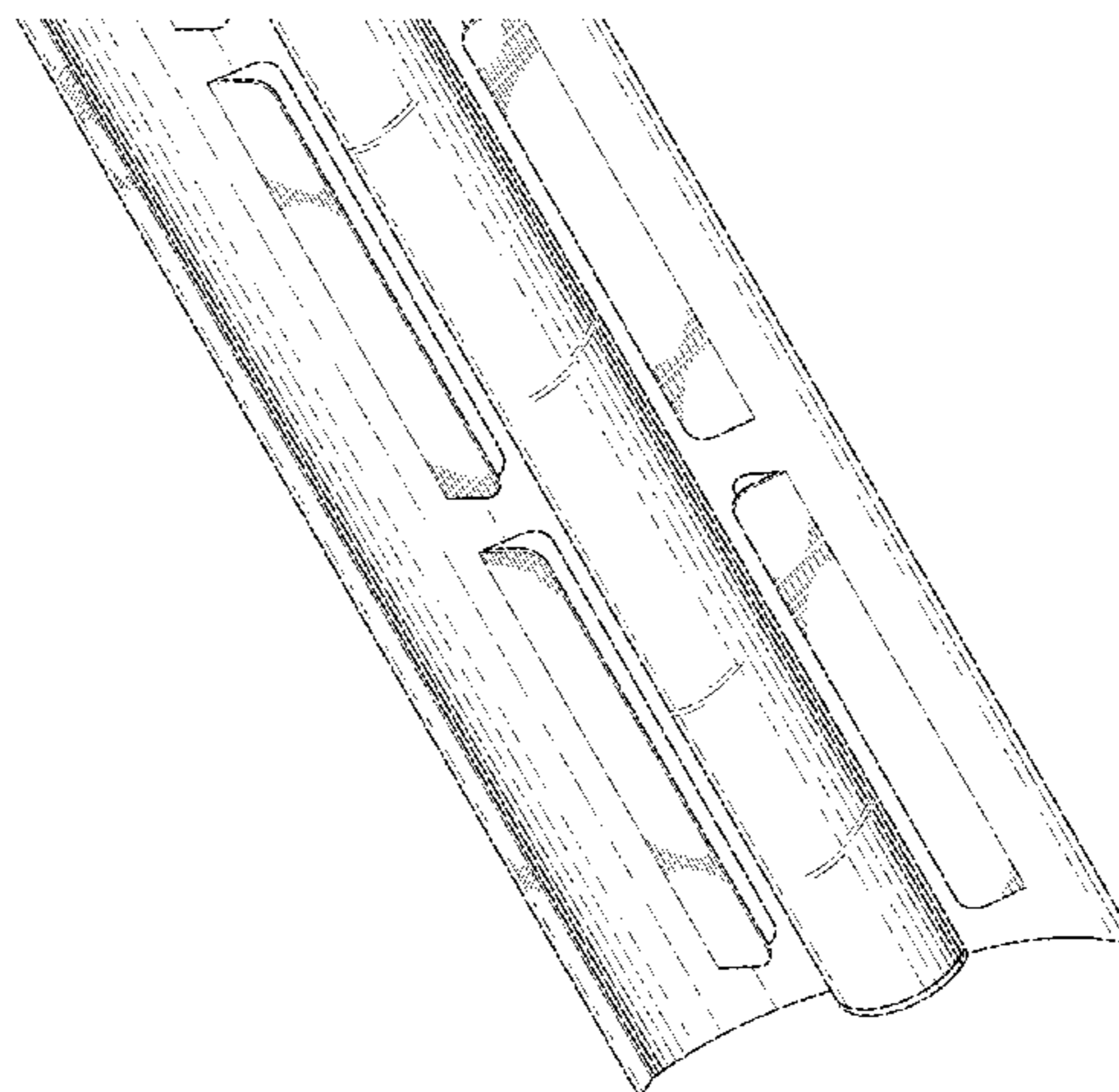
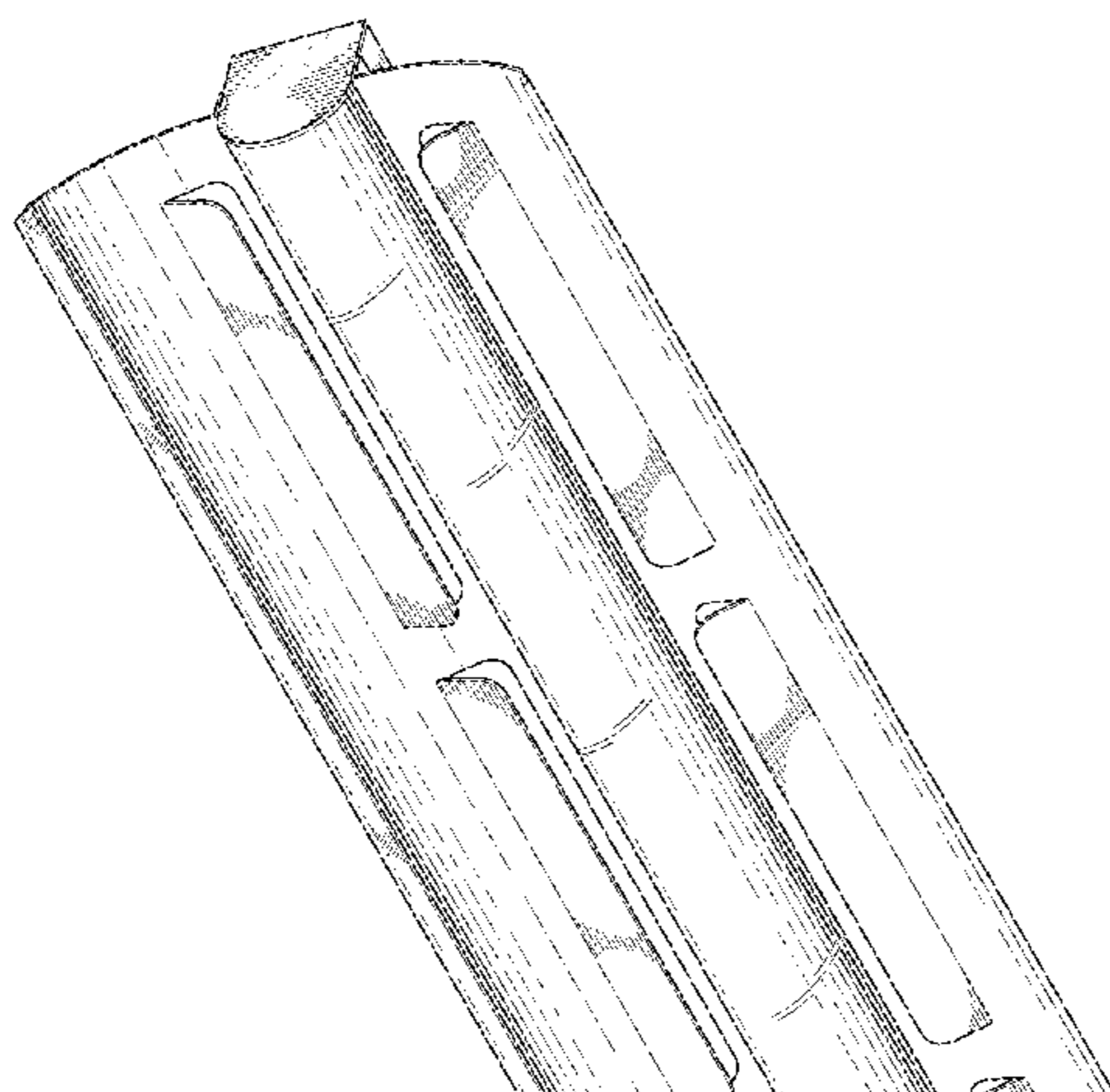
FIGS. 8A-D are a top plan view thereof.

FIGS. 9A-D are a right side elevation view thereof, with the left side being identical; and,

FIGS. 10A-D are a bottom plan view thereof.

The broken lines shown on the drawing figures represent portions of the light fixture that form no part of the claimed design.

1 Claim, 25 Drawing Sheets



(56)

References Cited

U.S. PATENT DOCUMENTS

- 4,946,547 A 8/1990 Palmour et al.
5,200,022 A 4/1993 Kong et al.
RE34,861 E 2/1995 Davis et al.
D364,478 S * 11/1995 Pesau D26/76
5,530,628 A 6/1996 Ngai 362/127
5,690,415 A 11/1997 Krehl 362/125
5,823,663 A 10/1998 Bell et al.
5,951,150 A 9/1999 Helstern 362/293
D430,688 S * 9/2000 Plunk D26/76
6,161,939 A * 12/2000 Bansbach 362/223
D438,326 S * 2/2001 Kan D26/76
6,210,025 B1 4/2001 Schmidt et al.
D450,874 S * 11/2001 Heiny et al. D26/78
6,350,041 B1 2/2002 Tarsa et al.
D459,014 S * 6/2002 Chen D26/85
6,435,697 B1 8/2002 Simmons et al. 362/219
D463,058 S * 9/2002 Nourishad D26/76
D464,161 S * 10/2002 Nourishad D26/78
6,536,924 B2 3/2003 Segretto 362/345
6,667,451 B1 12/2003 Hart 200/314
6,739,734 B1 5/2004 Hulgan 362/243
D505,221 S * 5/2005 Hetfield D26/76
6,914,194 B2 7/2005 Fan
D509,616 S * 9/2005 Hetfield D26/76
D511,221 S * 11/2005 Zucker D26/76
D513,439 S * 1/2006 Hetfield D26/76
7,131,747 B1 11/2006 Yates 362/219
7,156,540 B2 * 1/2007 Haines 362/298
7,213,940 B1 5/2007 Lu et al.
7,217,023 B2 5/2007 Iwasa et al. 362/555
D544,628 S * 6/2007 Quintal D26/76
7,228,253 B2 6/2007 Chen 318/11
D569,026 S * 5/2008 Silver D26/76
7,387,410 B2 6/2008 Sibout 362/375
7,540,627 B2 6/2009 Handsaker 362/225
D597,242 S * 7/2009 Purcell D26/76
D604,001 S * 11/2009 Thun D26/76
7,628,506 B2 12/2009 Verfuert et al. 362/218
D610,736 S * 2/2010 Klaus D26/76
7,654,703 B2 2/2010 Kan et al. 362/362
D612,088 S * 3/2010 Wassel et al. D26/76
D616,138 S * 5/2010 Lasthein et al. D26/76
7,722,220 B2 5/2010 Van de Ven et al.
7,758,207 B1 7/2010 Zhou et al. 362/218
D621,086 S * 8/2010 Purcell D26/76
7,791,061 B2 9/2010 Edmond et al.
D632,818 S * 2/2011 Kong et al. D26/58
D632,823 S * 2/2011 Kong et al. D26/88
8,058,088 B2 11/2011 Cannon et al.
8,206,004 B2 6/2012 Serak et al. 362/217
8,313,212 B1 11/2012 Mayer et al. 362/219
8,317,369 B2 11/2012 McCannless 362/368
8,342,714 B1 1/2013 Rea 362/264
8,376,578 B2 2/2013 Kong 362/241
8,459,824 B1 6/2013 Esmailzadeh et al. 362/147
8,476,836 B2 7/2013 Van de Ven et al.
8,523,383 B1 9/2013 Grigore 362/221
D704,878 S * 5/2014 Wilson et al. D26/76
8,714,770 B2 5/2014 Kato 362/217.06
8,764,220 B2 7/2014 Chan et al. 362/217.02
9,057,493 B2 6/2015 Silmon
2001/0048599 A1 12/2001 Hess 362/290
2004/0240214 A1 12/2004 Whitlow et al. 362/373
2004/0252521 A1 12/2004 Clark 362/554
2005/0146867 A1 7/2005 Kassay 362/217.05
2006/0050505 A1 3/2006 McCarthy 362/219
2006/0266955 A1 11/2006 Arvin 250/492.1
2006/0278882 A1 12/2006 Leung 257/98
2007/0158668 A1 7/2007 Tarsa et al.
2008/0128723 A1 6/2008 Pang
2008/0173884 A1 7/2008 Chitnis et al.
2008/0179611 A1 7/2008 Chitnis et al.
2008/0258130 A1 10/2008 Bergmann et al.
2008/0285267 A1 11/2008 Santoro 362/224
2008/0314944 A1 12/2008 Tsai et al. 224/331
2009/0040782 A1 2/2009 Liu et al. 362/555
2009/0046457 A1 2/2009 Everhart 362/235
2009/0161356 A1 6/2009 Negley et al. 362/231
2009/0184333 A1 7/2009 Wang et al.
2009/0207602 A1 8/2009 Reed et al. 362/225
2009/0212304 A1 8/2009 Wang et al.
2009/0224265 A1 9/2009 Wang et al.
2009/0290345 A1 11/2009 Shaner 362/249.01
2009/0290348 A1 11/2009 Van Laanen et al. 362/249
2009/0296381 A1 12/2009 Dubord 362/218
2010/0002426 A1 1/2010 Wu 362/223
2010/0142205 A1 6/2010 Bishop 362/249.02
2010/0155763 A1 6/2010 Donofrio et al.
2010/0171404 A1 7/2010 Liu et al. 313/46
2010/0214770 A1 8/2010 Anderson 362/133
2010/0214785 A1 8/2010 Chen 362/267
2010/0220469 A1 9/2010 Ivey et al. 362/218
2010/0259927 A1 10/2010 Chien 362/235
2010/0328945 A1 12/2010 Song et al. 362/240
2011/0006688 A1 1/2011 Shim 315/119
2011/0007514 A1 1/2011 Sloan 362/368
2011/0013400 A1 1/2011 Kanno et al.
2011/0028006 A1 2/2011 Shah et al. 439/39
2011/0090682 A1 4/2011 Zheng 362/218
2011/0103043 A1 5/2011 Ago 362/147
2011/0163683 A1 7/2011 Steele et al. 315/192
2011/0211330 A1 9/2011 Wang 362/20
2011/0222270 A1 9/2011 Porciatti
2011/0285314 A1 11/2011 Carney et al. 315/294
2011/0286207 A1 11/2011 Chan et al. 362/217.1
2011/0286208 A1 11/2011 Chen 362/217.1
2011/0310604 A1 12/2011 Shimizu 362/235
2012/0002408 A1 1/2012 Lichten et al. 362/218
2012/0051041 A1 3/2012 Edmond 362/231
2012/0075857 A1 3/2012 Verbrugh 362/249
2012/0081883 A1 4/2012 Wang 362/101
2012/0098424 A1 4/2012 Arik 315/35
2012/0120666 A1 5/2012 Moeller 362/308
2012/0169234 A1 7/2012 Shew 315/88
2012/0182755 A1 7/2012 Wildner 362/555
2012/0218757 A1 8/2012 Gill 362/235
2012/0235199 A1 9/2012 Andrews et al.
2012/0250302 A1 10/2012 Edwards 362/223
2013/0039090 A1 2/2013 Dau 362/551
2013/0050998 A1 2/2013 Chu et al. 362/218
2013/0094225 A1 4/2013 Leichner 362/368
2013/0155670 A1 6/2013 Handsaker 362/223
2013/0271979 A1 10/2013 Pearson et al. 362/235
2013/0279180 A1 10/2013 Pearson et al. 362/371
2013/0329425 A1 12/2013 Lowes et al.
2014/0265809 A1 9/2014 Hussell

OTHER PUBLICATIONS

- Office Action from U.S. Appl. No. 13/840,812, dated May 12, 2015.
Office Action from U.S. Appl. No. 13/910,486, dated May 7, 2015.
Office Action from U.S. Appl. No. 13/763,270, dated May 19, 2015.
Office Action from U.S. Appl. No. 29/449,316, dated Jun. 5, 2014.
Office Action from U.S. Appl. No. 13/842,150, dated Jun. 18, 2014.
Leviton LED Magnetic Tube Retrofit Series datasheet, 1 page, from www.leviton.com.
U.S. Appl. No. 13/649,052, filed Oct. 10, 2012, Lowes, et al.
U.S. Appl. No. 13/649,067, filed Oct. 10, 2012, Lowes, et al.
U.S. Appl. No. 13/770,389 filed Feb. 19, 2013, Lowes, et al.
U.S. Appl. No. 13/782,820, filed Mar. 1, 2013, Dixon, et al.
U.S. Appl. No. 12/873,303, filed Aug. 31, 2010, Edmond, et al.
U.S. Appl. No. 13/345,215, filed Jan. 6, 2012, Lu, et al.
U.S. Appl. No. 13/442,311, filed Apr. 9, 2012, Lu, et al.
U.S. Appl. No. 12/463,709, filed May 11, 2009, Donofrio, et al.
U.S. Appl. No. 11/656,759, filed Jan. 22, 2007, Chitnis, et al.
U.S. Appl. No. 11/899,790, filed Sep. 7, 2007, Chitnis, et al.
U.S. Appl. No. 13/830,698, filed Mar. 14, 2013, Durkee, et al.
U.S. Appl. No. 29/462,422, filed Aug. 2, 2013, Lay, et al.
Circalok™ conductive adhesive, 6972 and 6968, by Lord Corporation, 2 pages.
WhiteOpticstm White97 Film, Reflector Film Technical Data Sheet, WhiteOptics. LLC, New Castle, DE.

(56)

References Cited

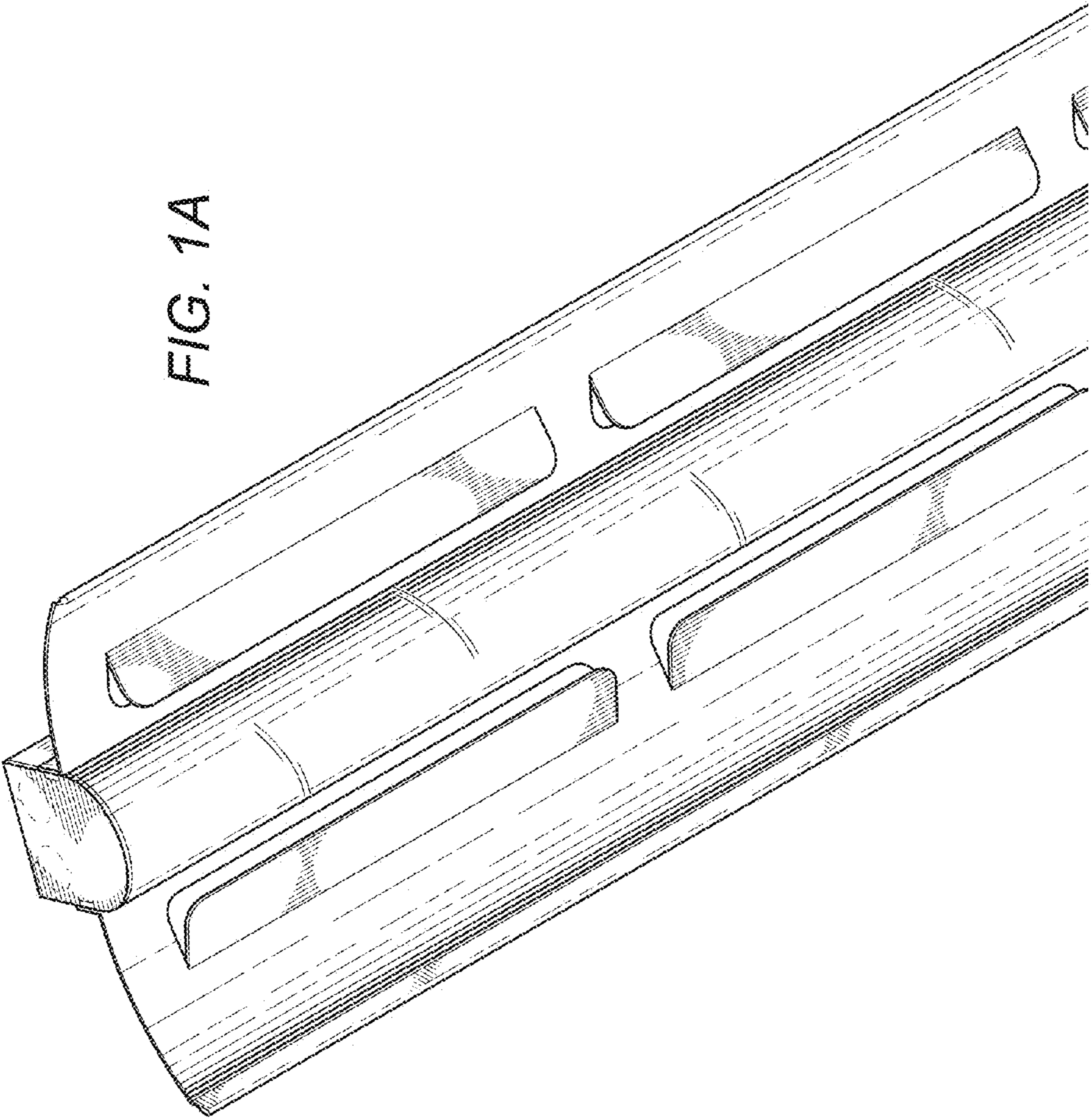
OTHER PUBLICATIONS

U.S. Appl. No. 11/473,089, filed Mar. 21, 2006, Tarsa, et al.
U.S. Appl. No. 13/018,291, filed Jan. 31, 2011, Tong, et al.
U.S. Appl. No. 13/671,089, filed Nov. 7, 2012, Hussell, et al.
U.S. Appl. No. 13/662,618, filed Oct. 29, 2012, Athalye, et al.
U.S. Appl. No. 13/462,388, filed Aug. 10, 2011, Athalye, et al.
U.S. Appl. No. 13/207,204, filed Aug. 10, 2011, Athalye, et al.
Cree XLamp XH-G, Information Data Sheet, from www.cree.com/xlamp, 11 pages.
Cree CS18 8' LED Linear Luminaire from Cree, www.cree.com/lighting, 2 pages.
Office Action from U.S. Appl. No. 13/672,592, dated Jan. 7, 2015.
Office Action from U.S. Appl. No. 13/899,314, dated Jan. 15, 2015.
Office Action from U.S. Appl. No. 13/842,150, dated Jan. 22, 2015.
Office Action from U.S. Appl. No. 13/829,558, dated Mar. 9, 2015.
Office Action from U.S. Appl. No. 13/958,462, dated Mar. 10, 2015.
Restriction Requirement from U.S. Appl. No. 13/839,130, dated Jul. 28, 2014.
Office Action from U.S. Appl. No. 13/839,130, dated Sep. 25, 2014.
Office Action from U.S. Appl. No. 13/829,558, dated Sep. 30, 2014.
Office Action from U.S. Appl. No. 29/450,283, dated Nov. 5, 2014.
Office Action from U.S. Appl. No. 29/449,316, dated Nov. 26, 2014.

Office Action from U.S. Appl. No. 13/840,812, dated Nov. 28, 2014.
Office Action from U.S. Appl. No. 13/763,270, dated Oct. 3, 2014.
Office Action from U.S. Appl. No. 13/899,314, dated Jul. 29, 2015.
Response to OA from U.S. Appl. No. 13/899,314, filed Sep. 15, 2015.
Office Action from U.S. Appl. No. 13/672,592, dated Aug. 6, 2015.
Response to OA from U.S. Appl. No. 13/672,592, filed Sep. 21, 2015.
Office Action from U.S. Appl. No. 13/842,150, dated Aug. 10, 2015.
Office Action from U.S. Appl. No. 13/829,558, dated Sep. 11, 2015.
Office Action from U.S. Appl. No. 14/252,685, dated Oct. 1, 2015.
Office Action from U.S. Appl. No. 13/958,461, dated Oct. 15, 2015.
Office Action from U.S. Appl. No. 13/910,486, dated Oct. 15, 2015.
Response to OA from U.S. Appl. No. 13/910,486, filed Dec. 15, 2015.
Office Action from U.S. Appl. No. 13/782,820, dated Oct. 30, 2015.
Office Action from U.S. Appl. No. 13/899,314, dated Nov. 13, 2015.
Response to OA from U.S. Appl. No. 13/899,314, filed Dec. 16, 2015.
Office Action from U.S. Appl. No. 13/672,592, dated Nov. 23, 2015.
Office Action from U.S. Appl. No. 14/020,750, dated Dec. 14, 2015.
Office Action from U.S. Appl. No. 14/108,168; Dec. 24, 2015.
Office Action from U.S. Appl. No. 13/842,150; Dec. 30, 2015.
Office Action from U.S. Appl. No. 13/763,270; Jan. 12, 2016.
Office Action from U.S. Appl. No. 13/899,314; Feb. 4, 2016.
Office Action from U.S. Appl. No. 14/070,098; Feb. 5, 2016.
Office Action from U.S. Appl. No. 13/829,558; Feb. 19, 2016.

* cited by examiner

FIG. 1A



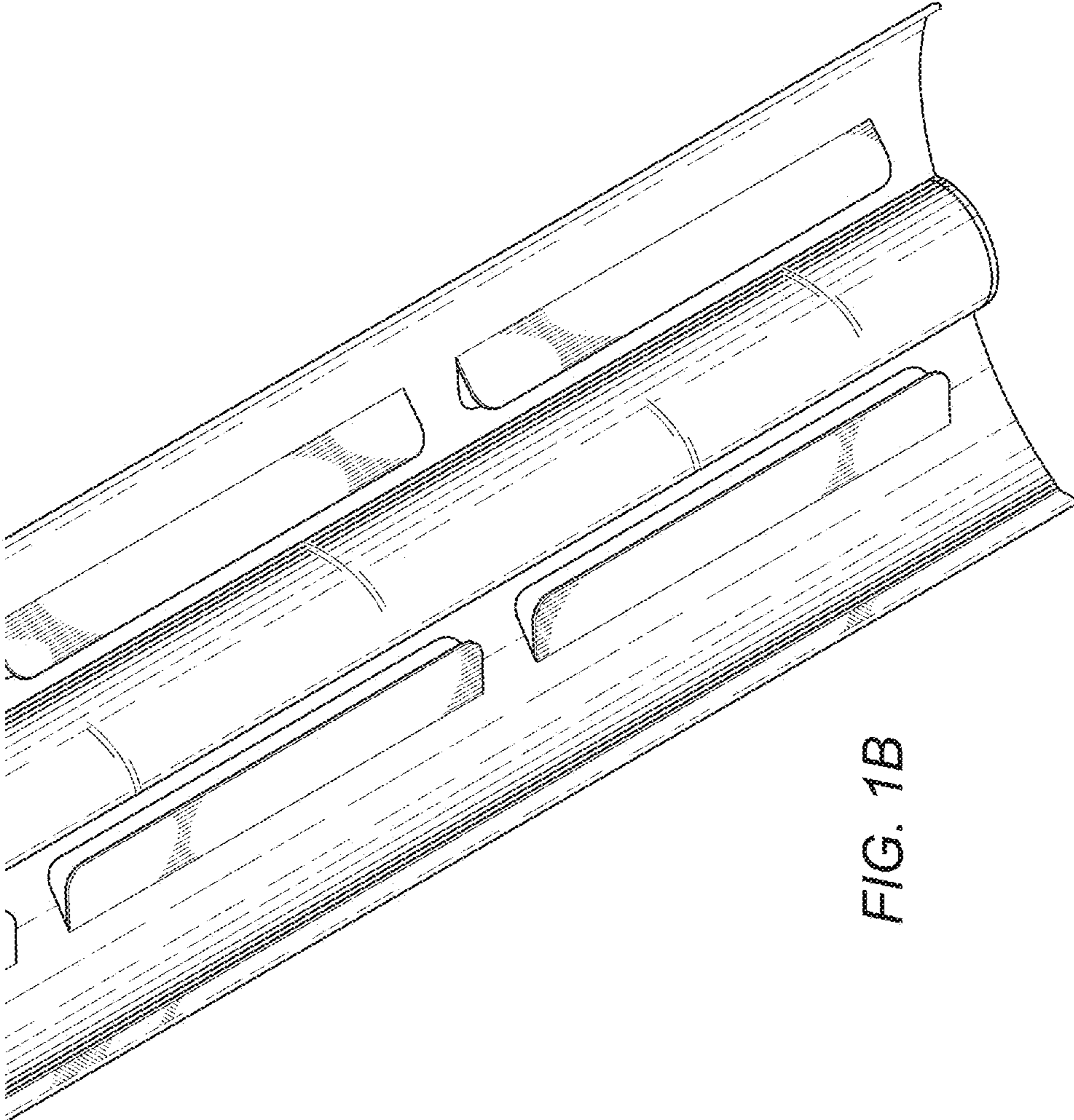


FIG. 1B

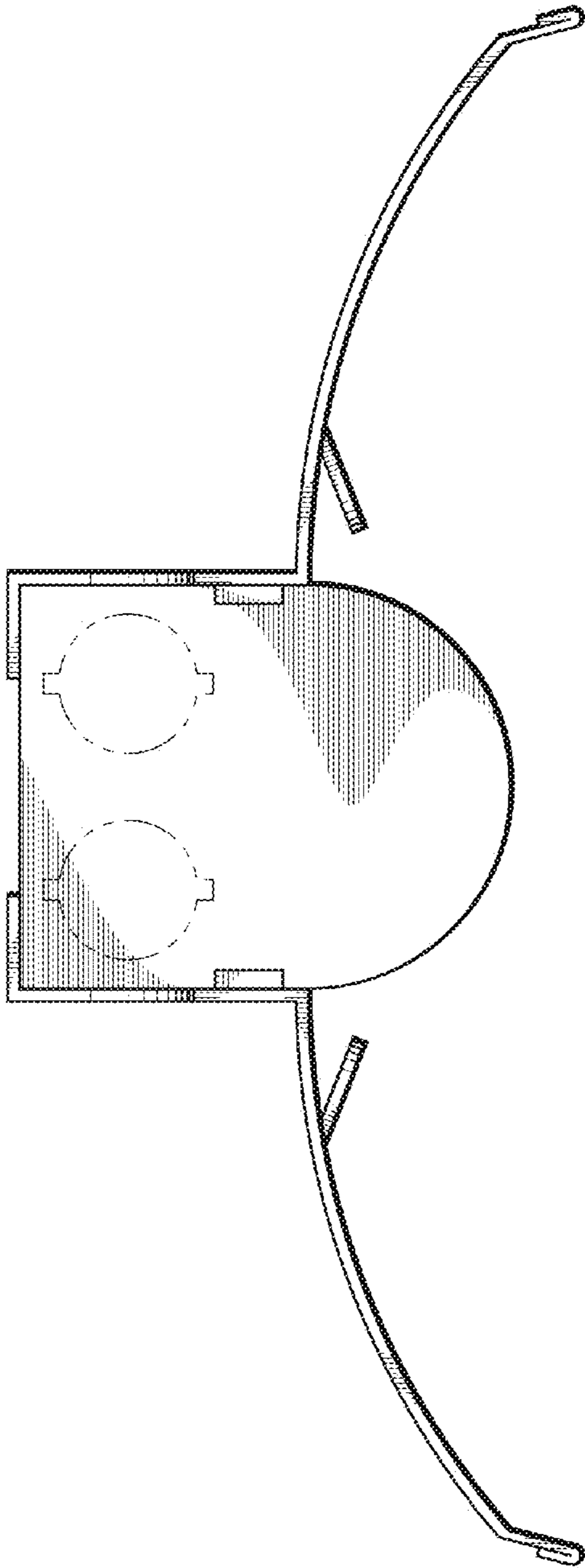


FIG. 2

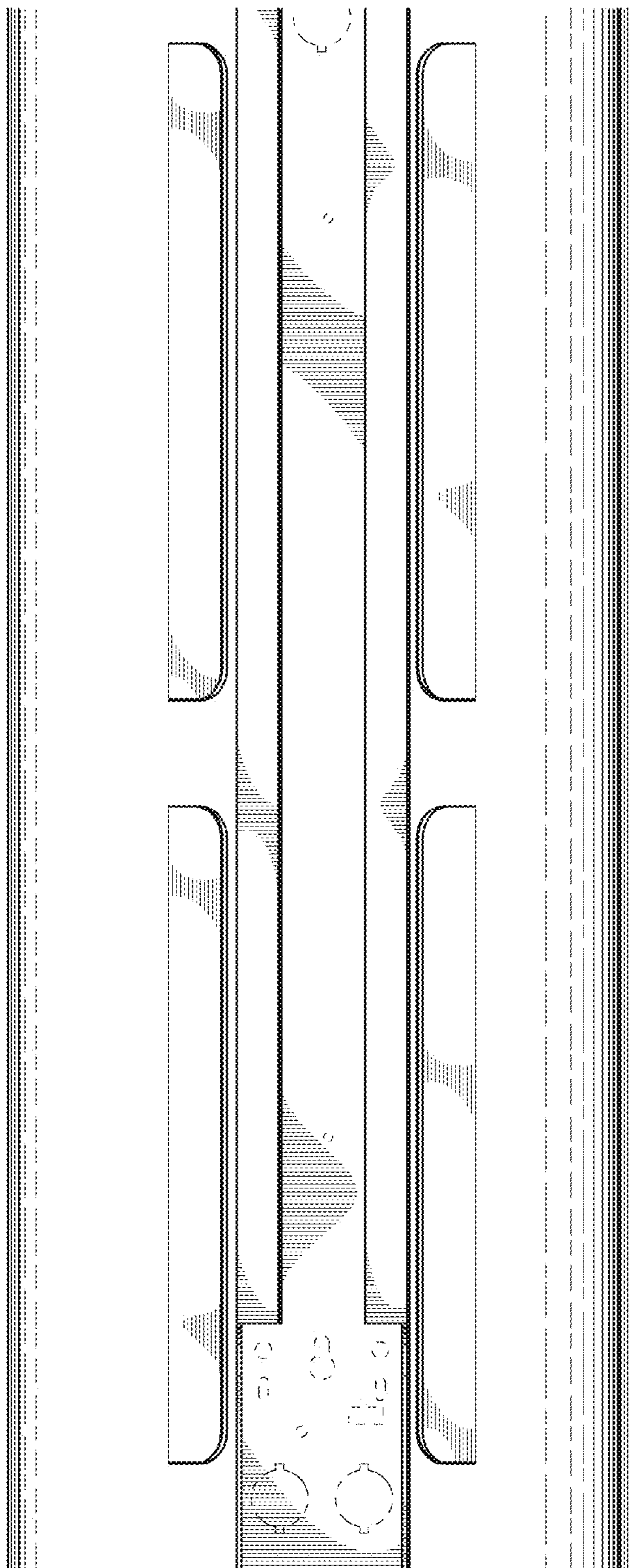


FIG. 3A

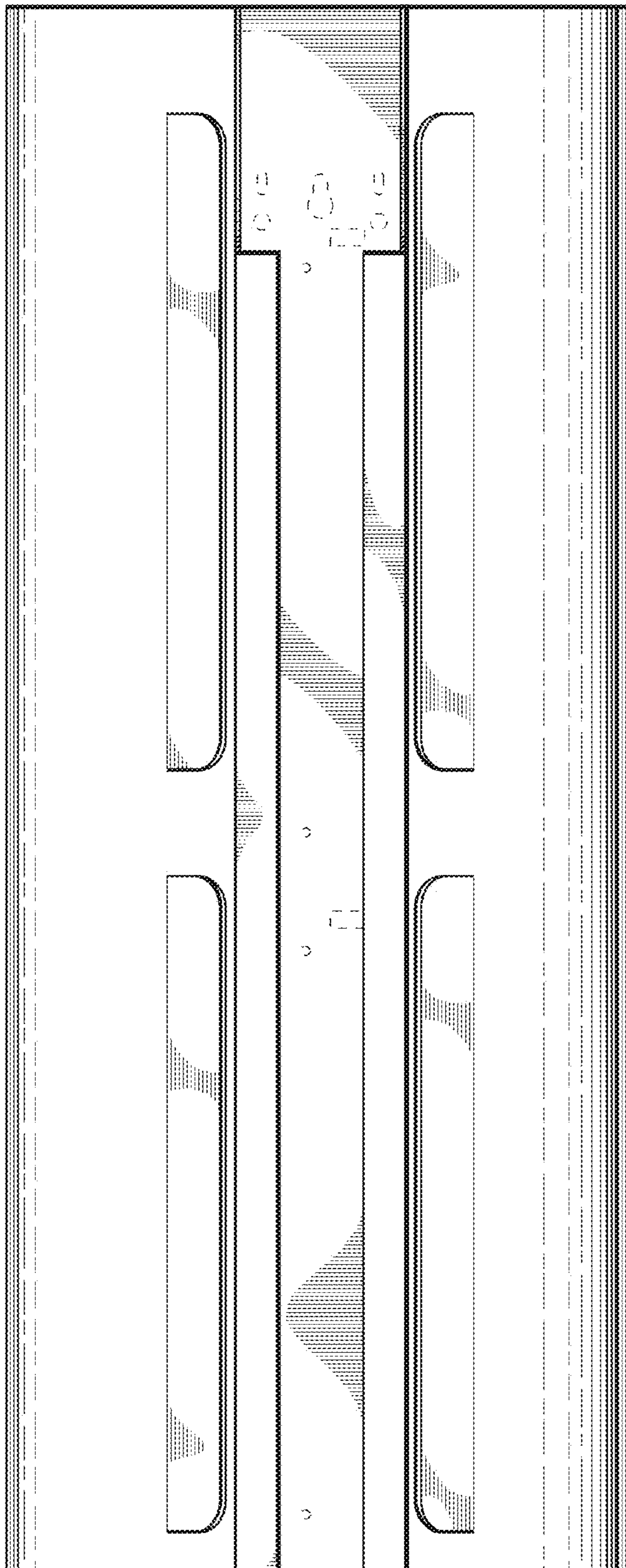


FIG. 3B

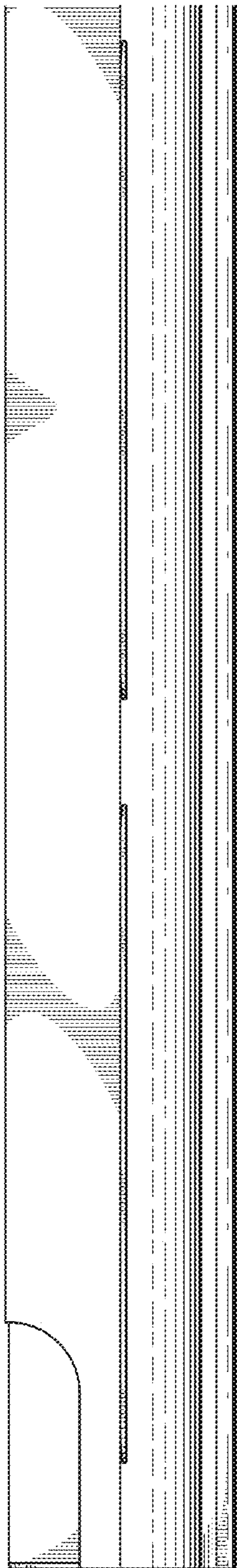


FIG. 4A

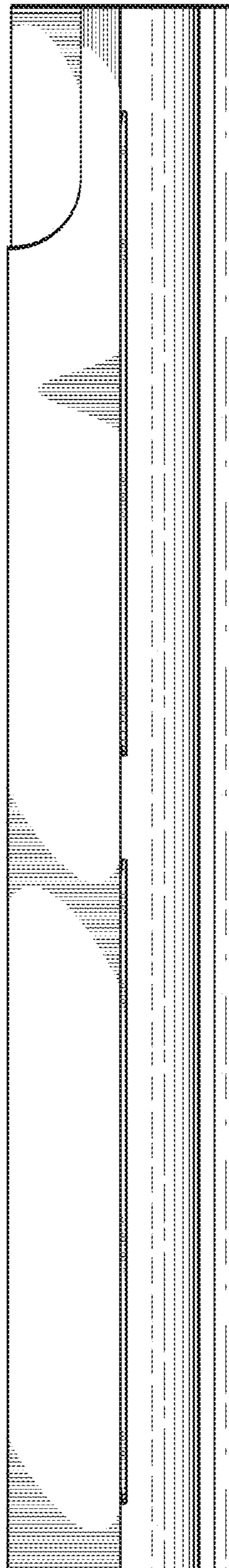


FIG. 4B

FIG. 5A

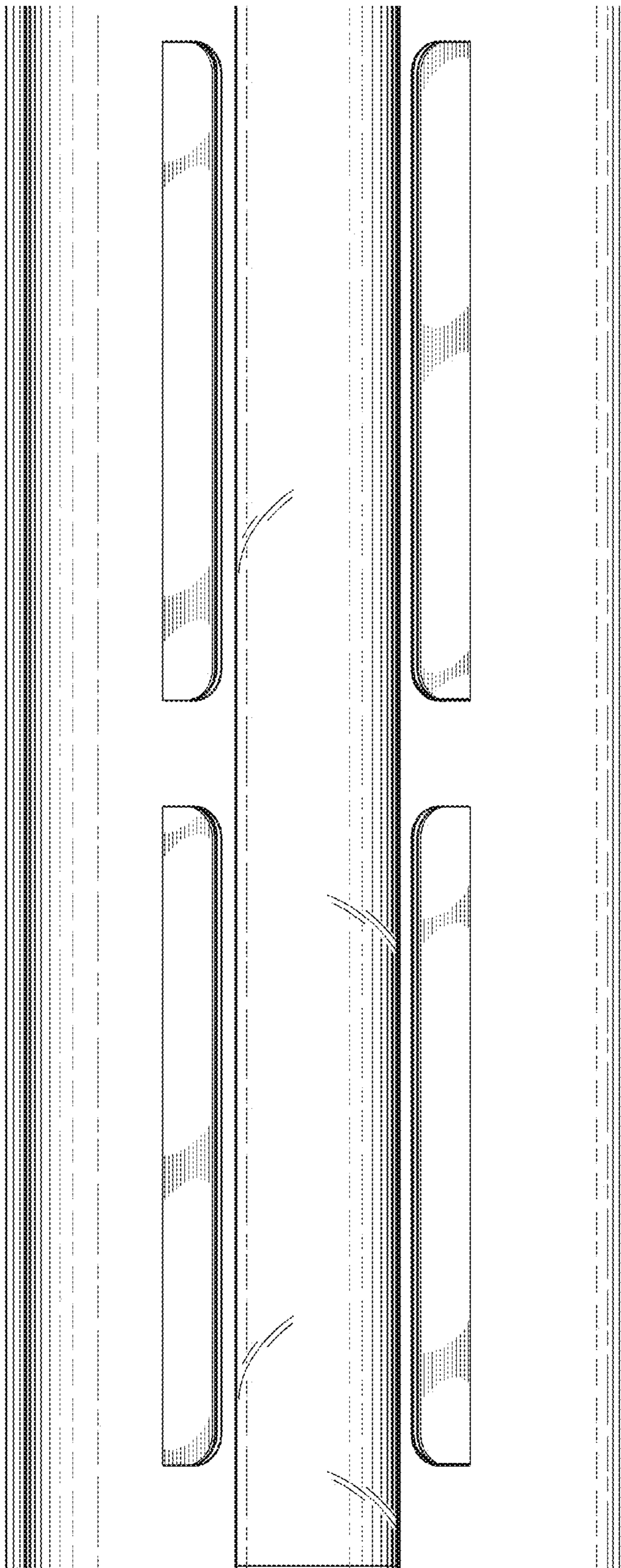


FIG. 5B

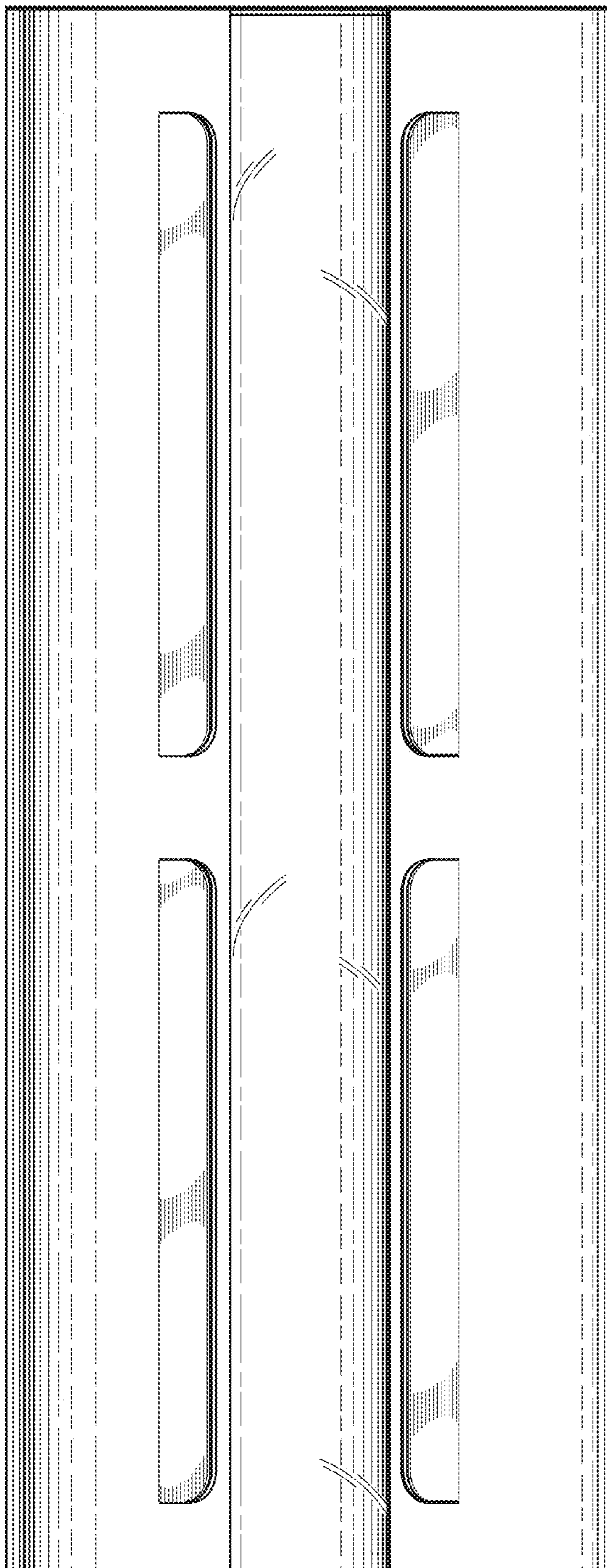
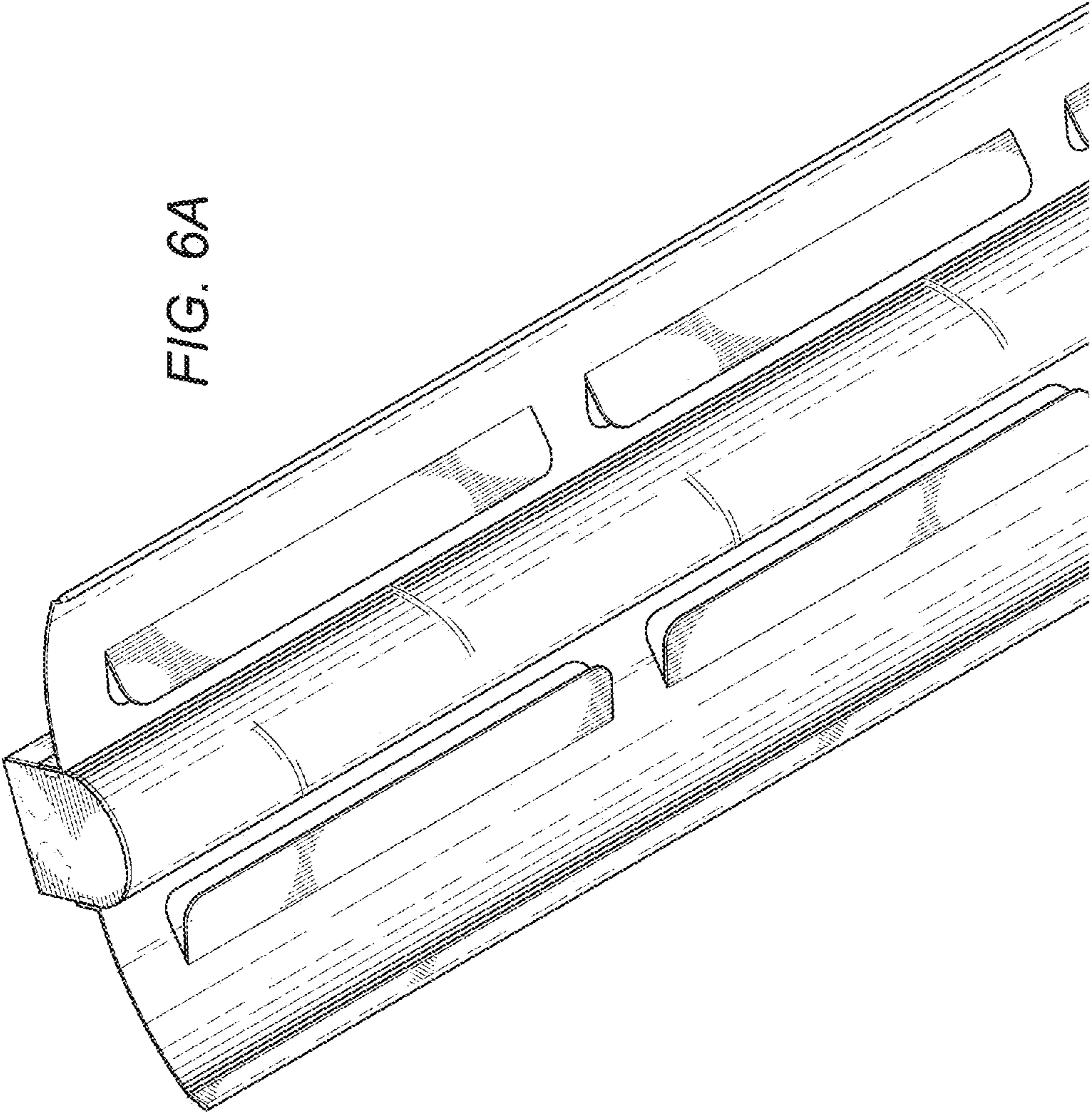


FIG. 6A



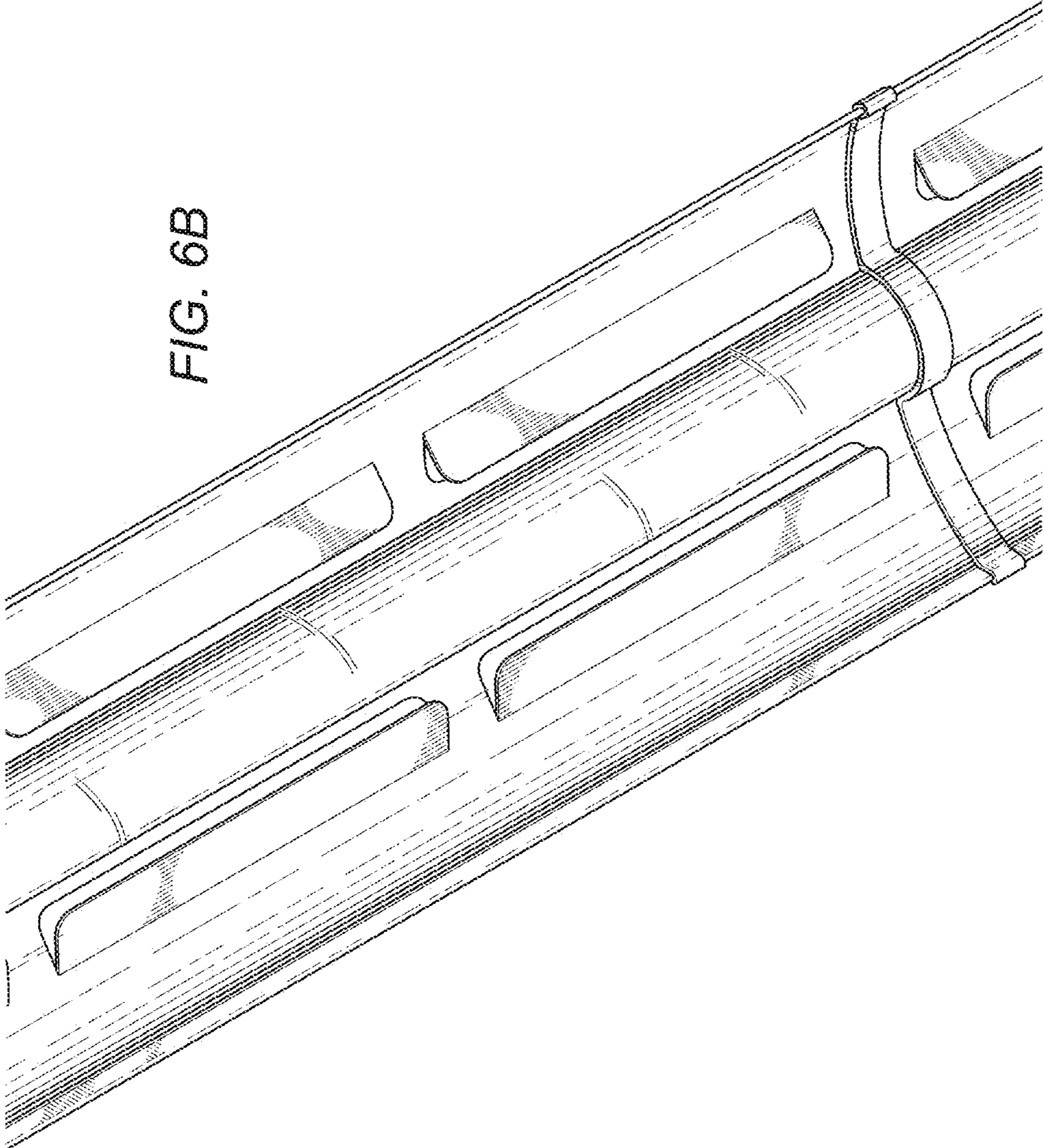


FIG. 6B

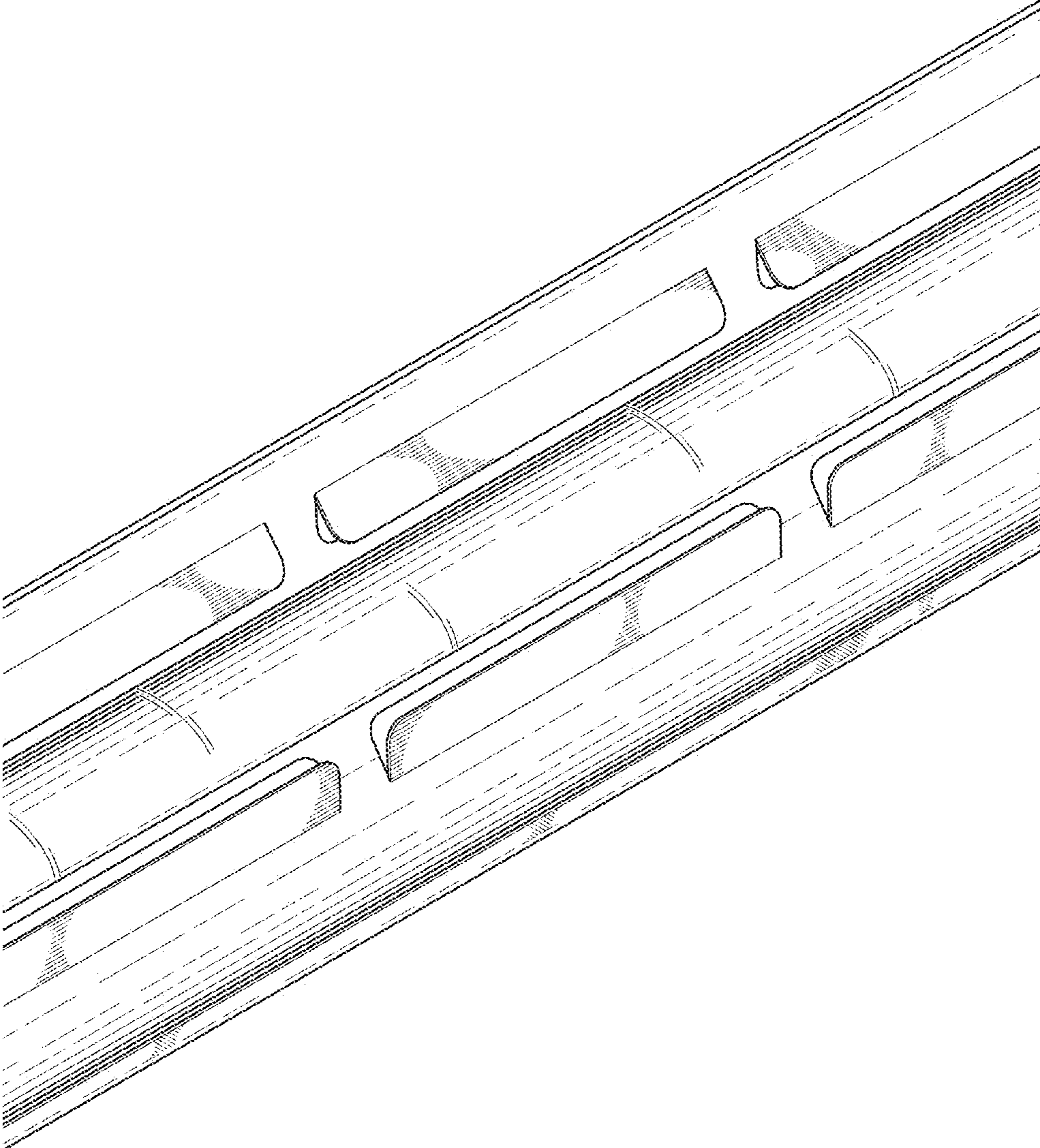


FIG. 6C

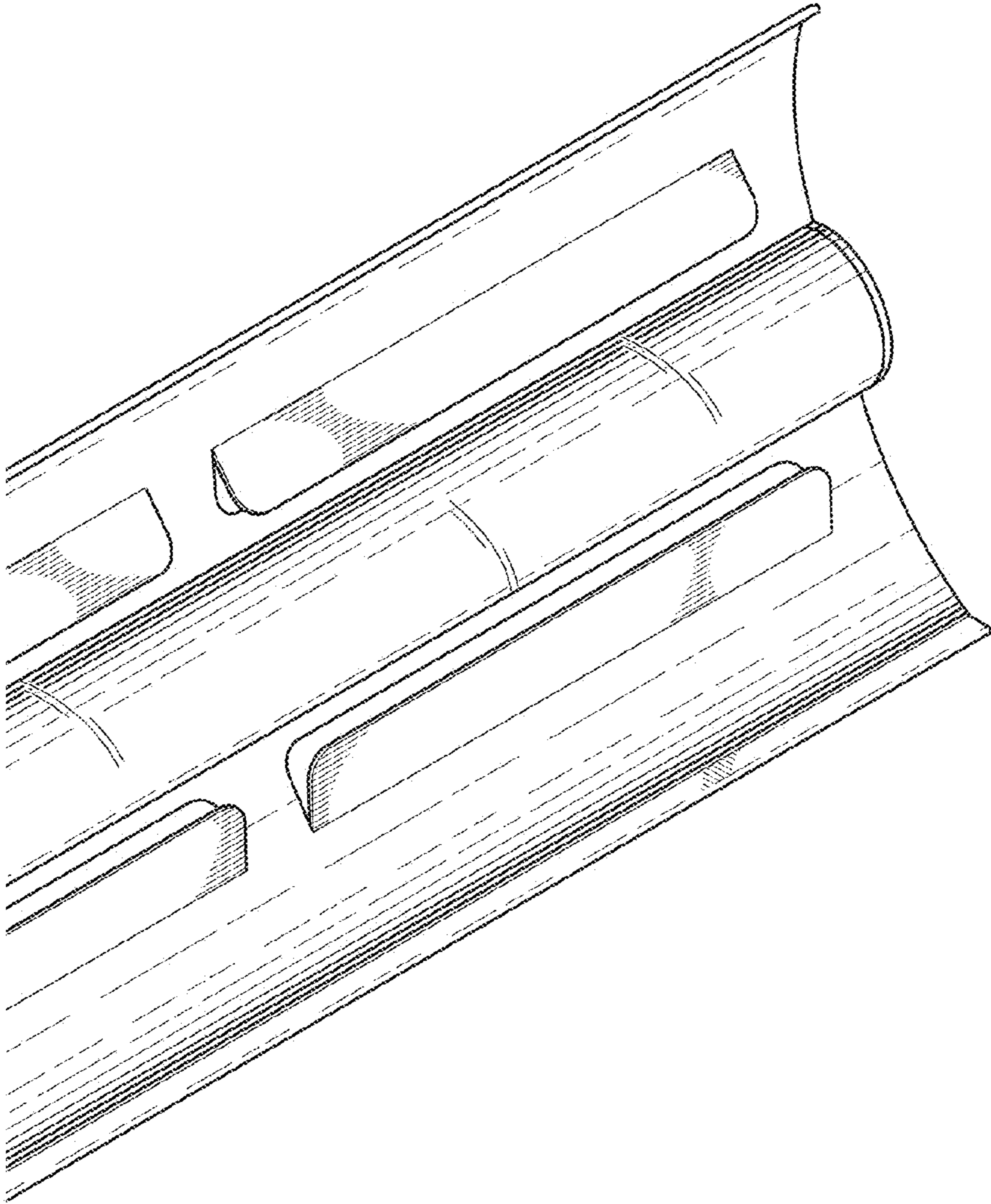


FIG. 6D

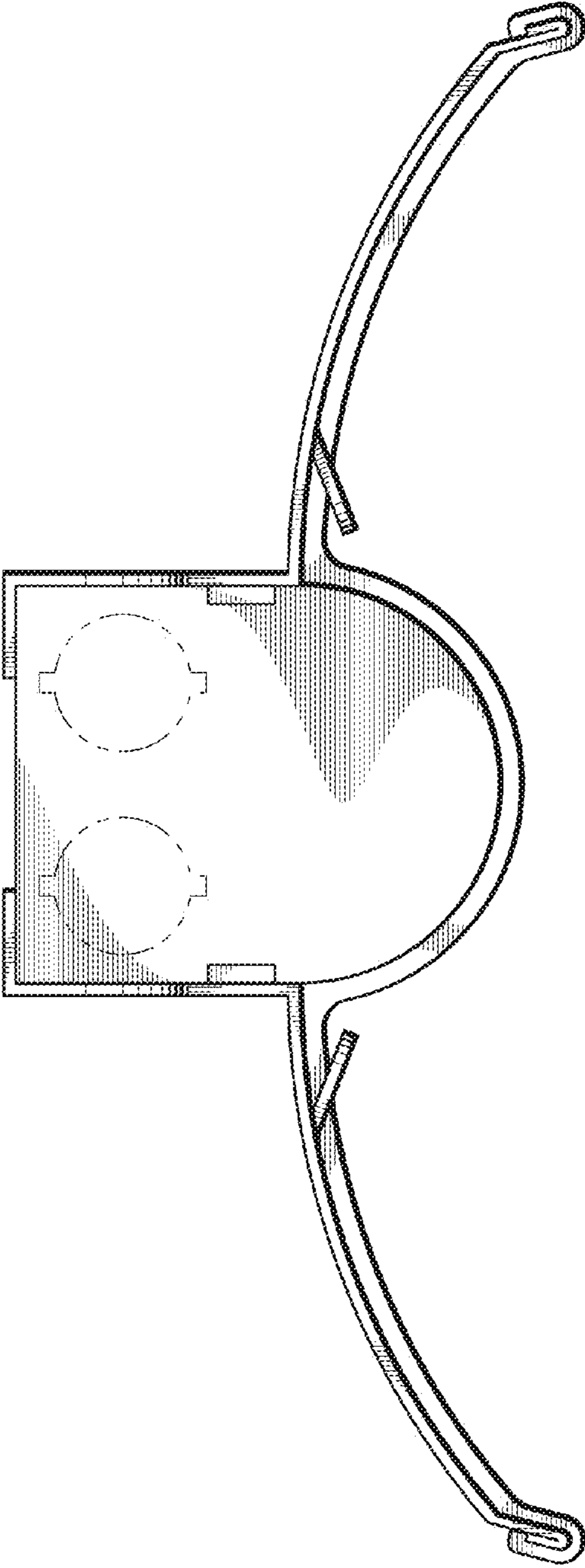


FIG. 7

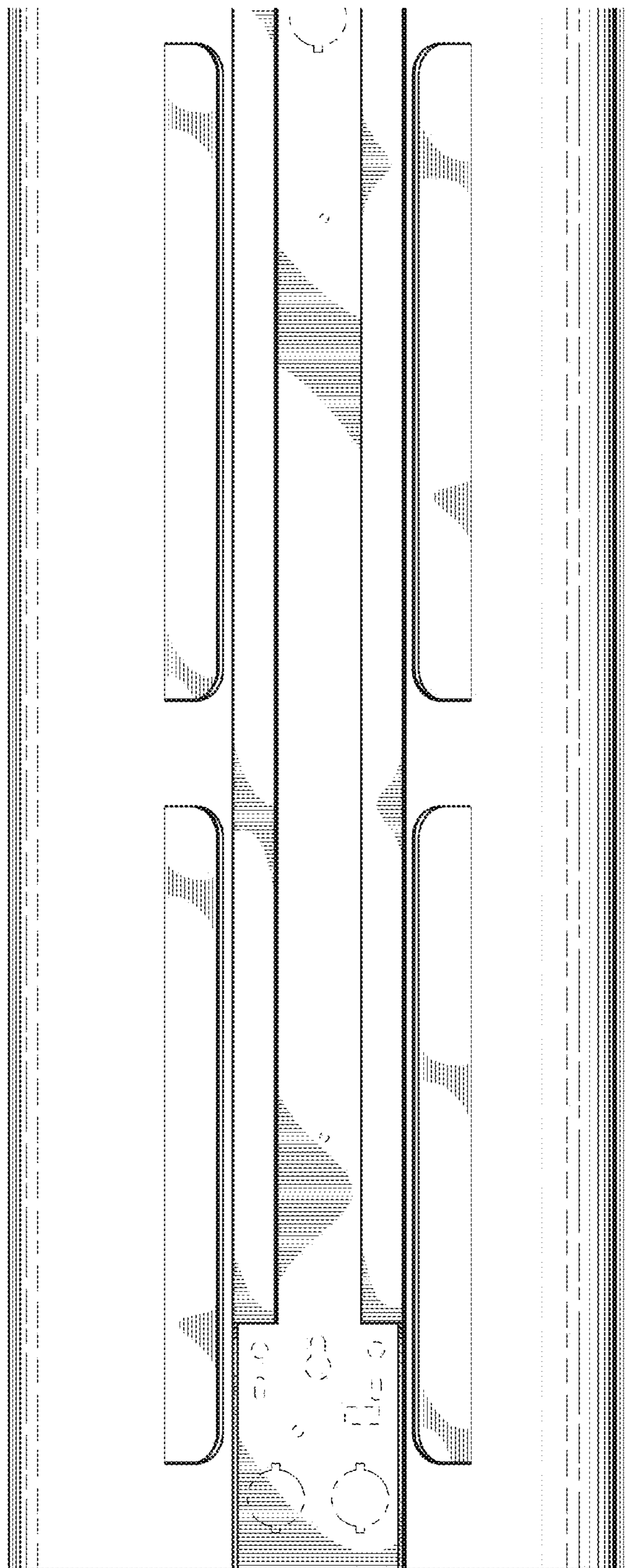


FIG. 8A

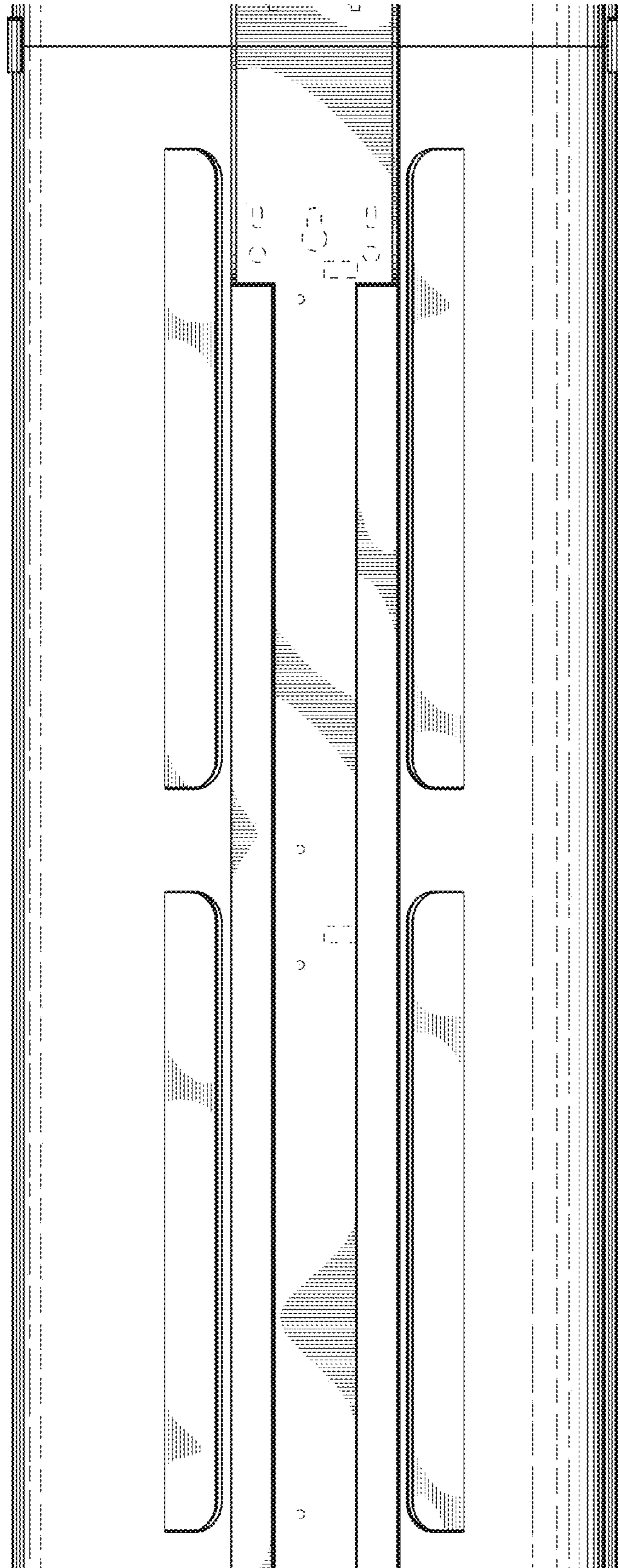


FIG. 8B

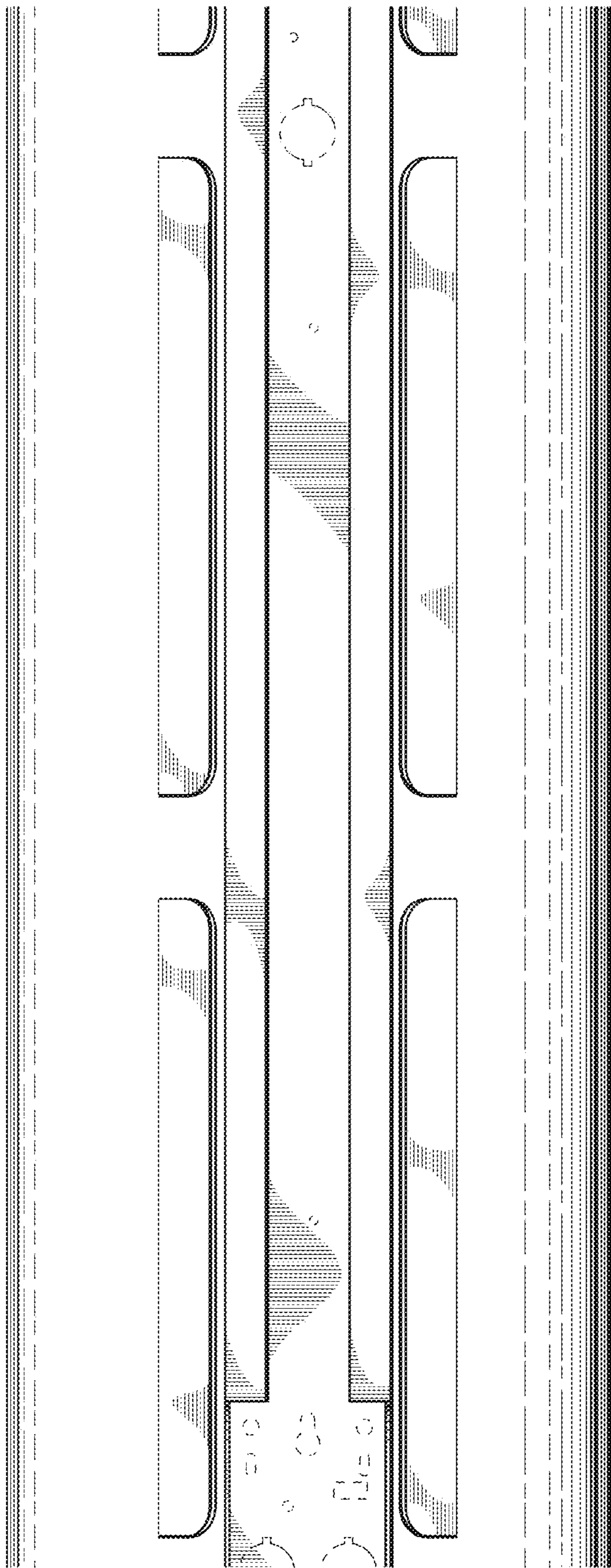


FIG. 8C

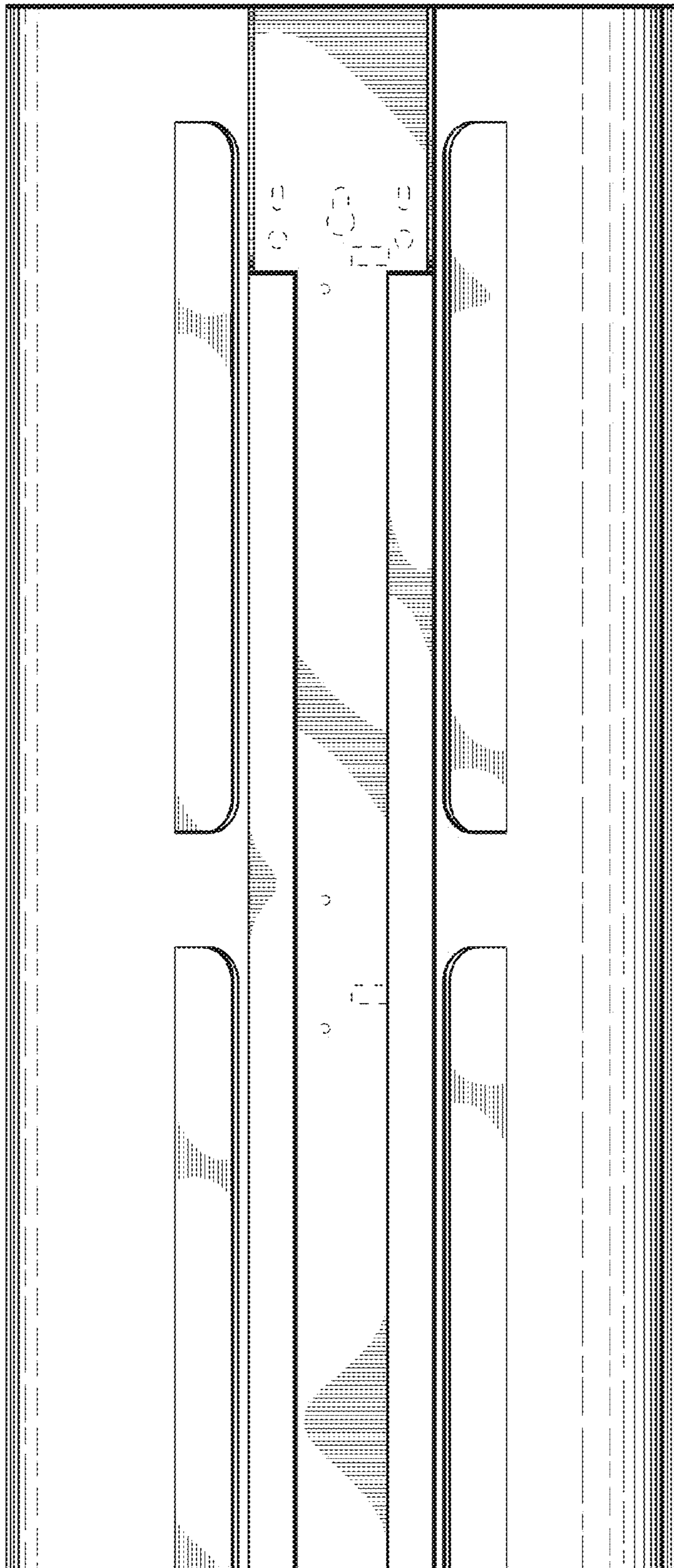


FIG. 8D

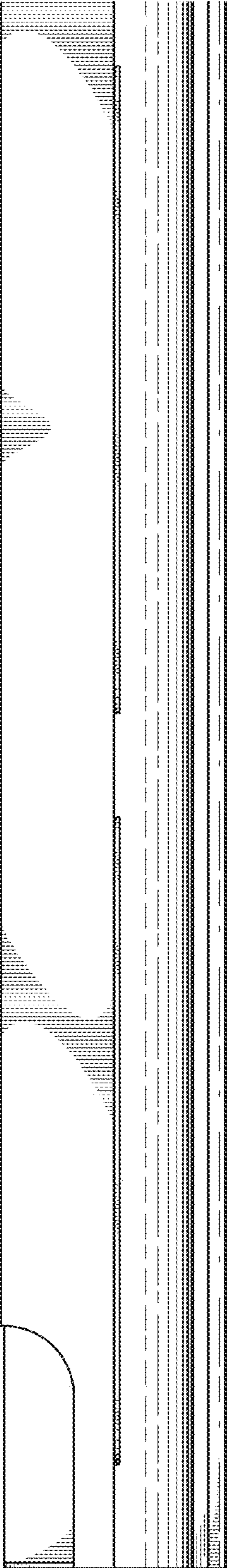


FIG. 9A

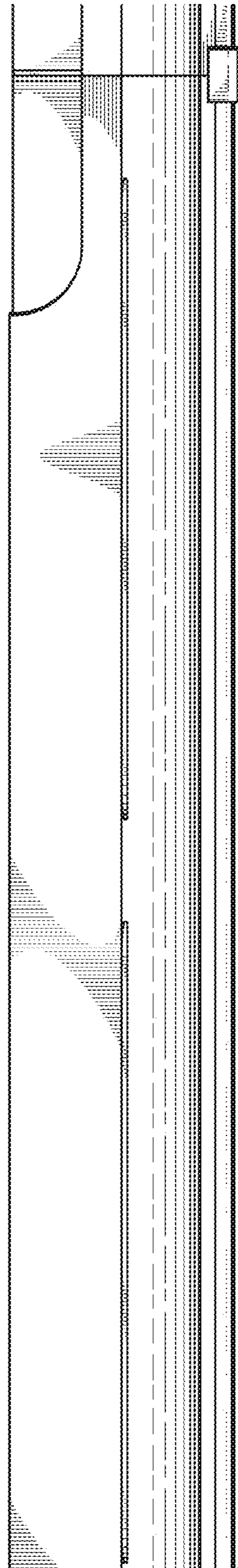


FIG. 9B

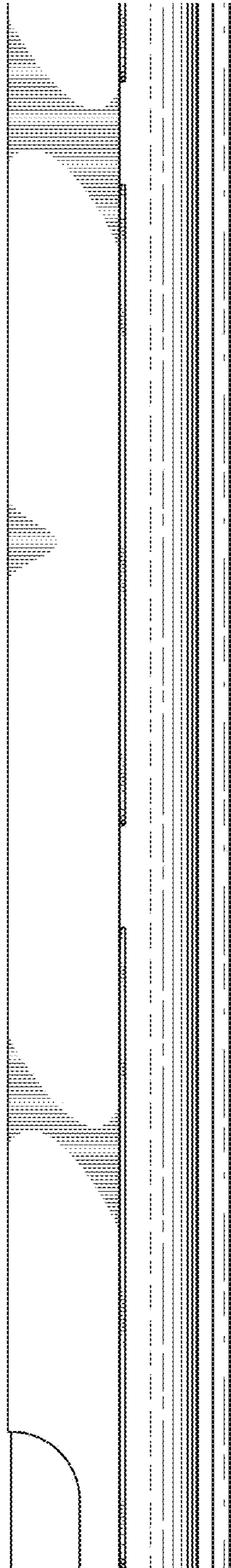


FIG. 9C

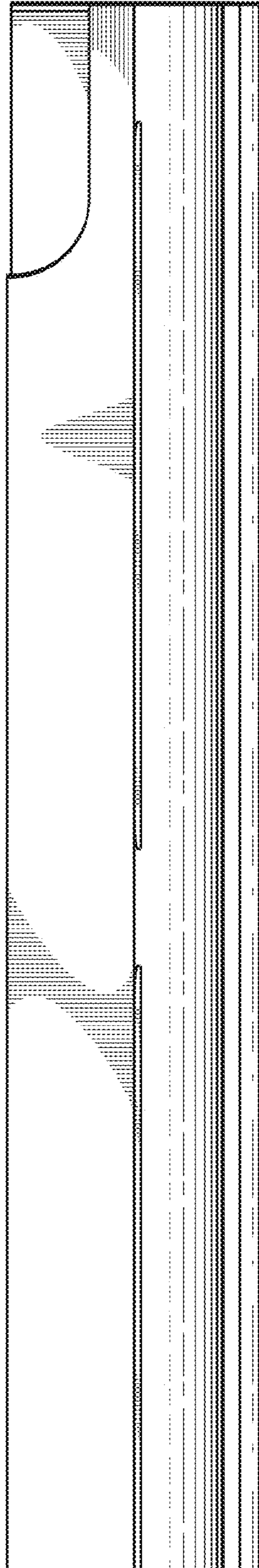


FIG. 9D

FIG. 10A

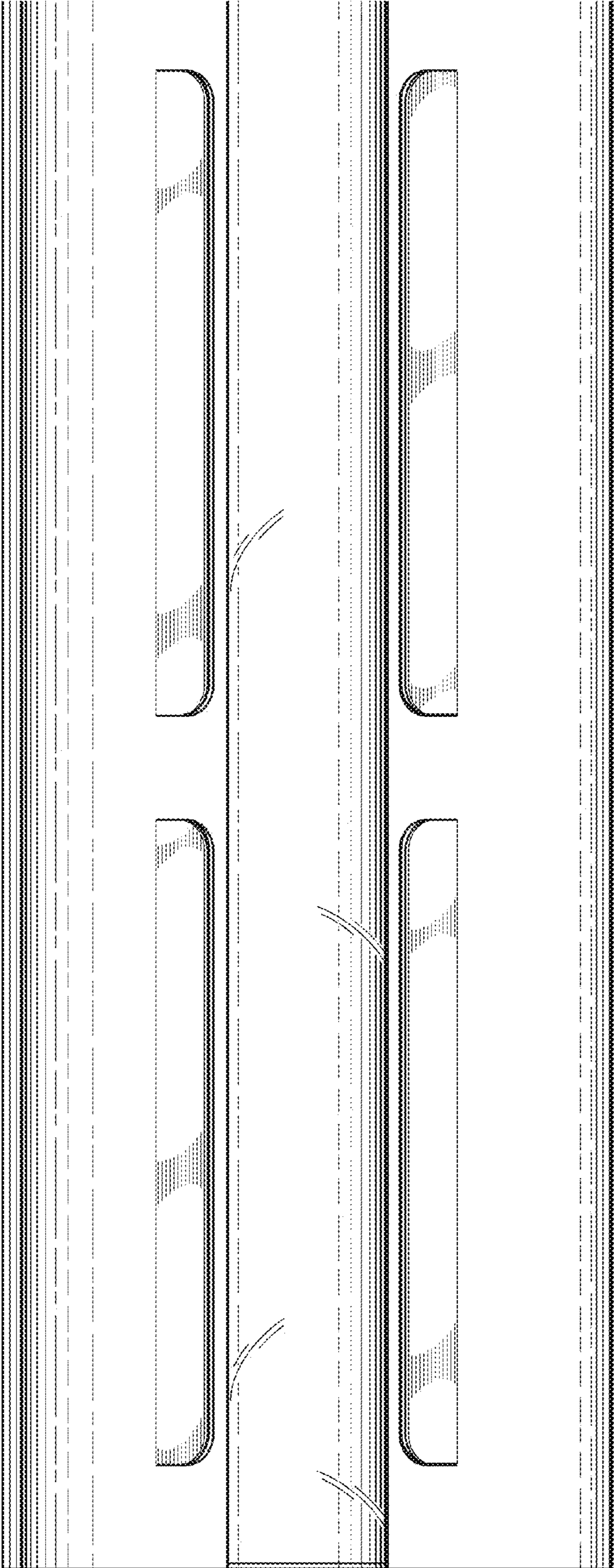


FIG. 10B

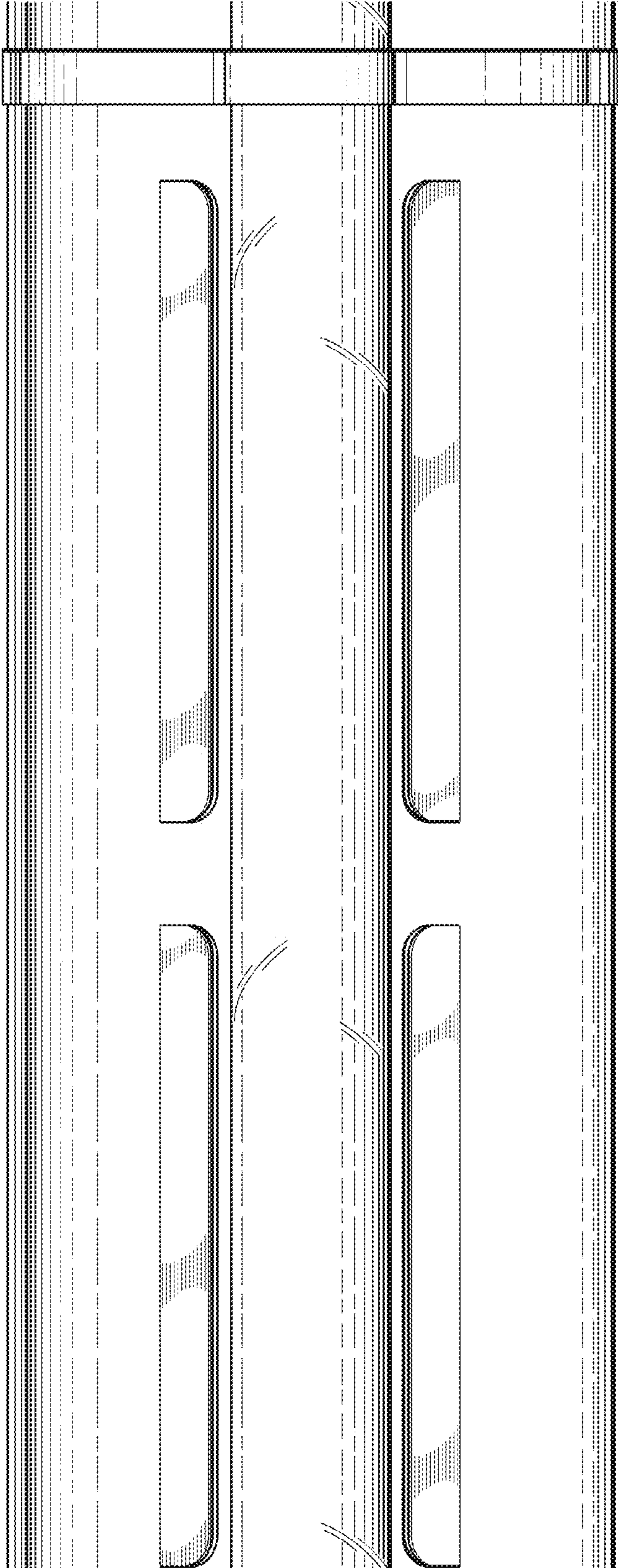


FIG. 10C

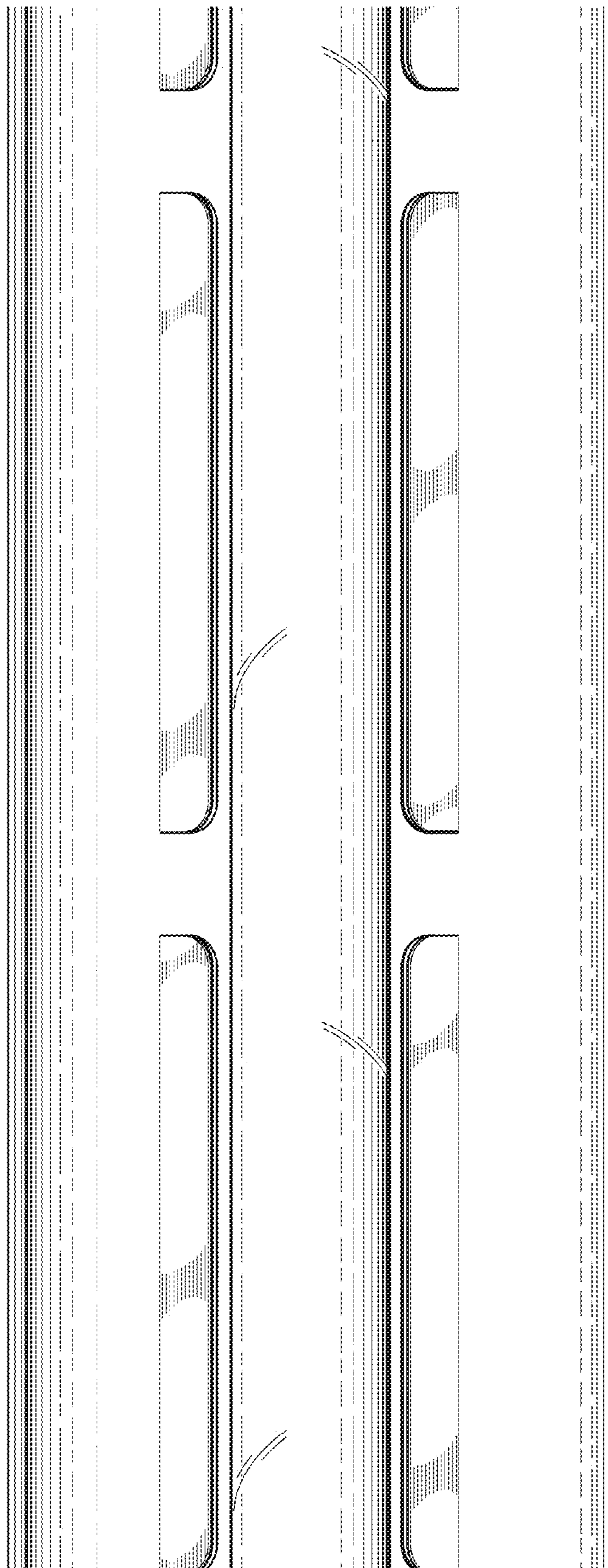


FIG. 10D

