



US00D757323S

(12) **United States Design Patent**
Reynolds

(10) **Patent No.:** **US D757,323 S**

(45) **Date of Patent:** **** May 24, 2016**

(54) **GREENHOUSE LIGHT**

(71) Applicant: **IP Holdings, LLC**, Vancouver, WA (US)

(72) Inventor: **Christopher Reynolds**, Vancouver, WA (US)

(73) Assignee: **IP Holdings, LLC**, Vancouver, WA (US)

(**) Term: **14 Years**

(21) Appl. No.: **29/518,836**

(22) Filed: **Feb. 27, 2015**

(51) **LOC (10) Cl.** **26-05**

(52) **U.S. Cl.**
USPC **D26/72**

(58) **Field of Classification Search**
USPC D26/72, 76, 78, 118
CPC F21S 8/04; F21W 2131/40; F21V 9/02;
F21V 5/02; F21V 5/002; F21V 7/005; F21V
7/043; F21V 7/041; F21V 7/04; F21V 29/00;
F21V 29/02; A01G 9/20; A01G 9/24
See application file for complete search history.

(56) **References Cited**

U.S. PATENT DOCUMENTS

D106,614 S * 10/1937 Waterbury D26/91
D123,768 S 12/1940 Scribner

(Continued)

FOREIGN PATENT DOCUMENTS

CN ZL 201430166983.7 4/2015

OTHER PUBLICATIONS

Horticultural Lights, image post date Jul. 7, 2014, site visited Sep. 30, 2015 (online), <<http://web.archive.org/web/20140707223459/http://>

www.kindgreenbuds.com/cannabis-grow-bible/best-lighting-systems/>.

(Continued)

Primary Examiner — Clare E Heflin

(74) *Attorney, Agent, or Firm* — J. Douglas Wells

(57) **CLAIM**

The ornamental design for a greenhouse light, as shown and described.

DESCRIPTION

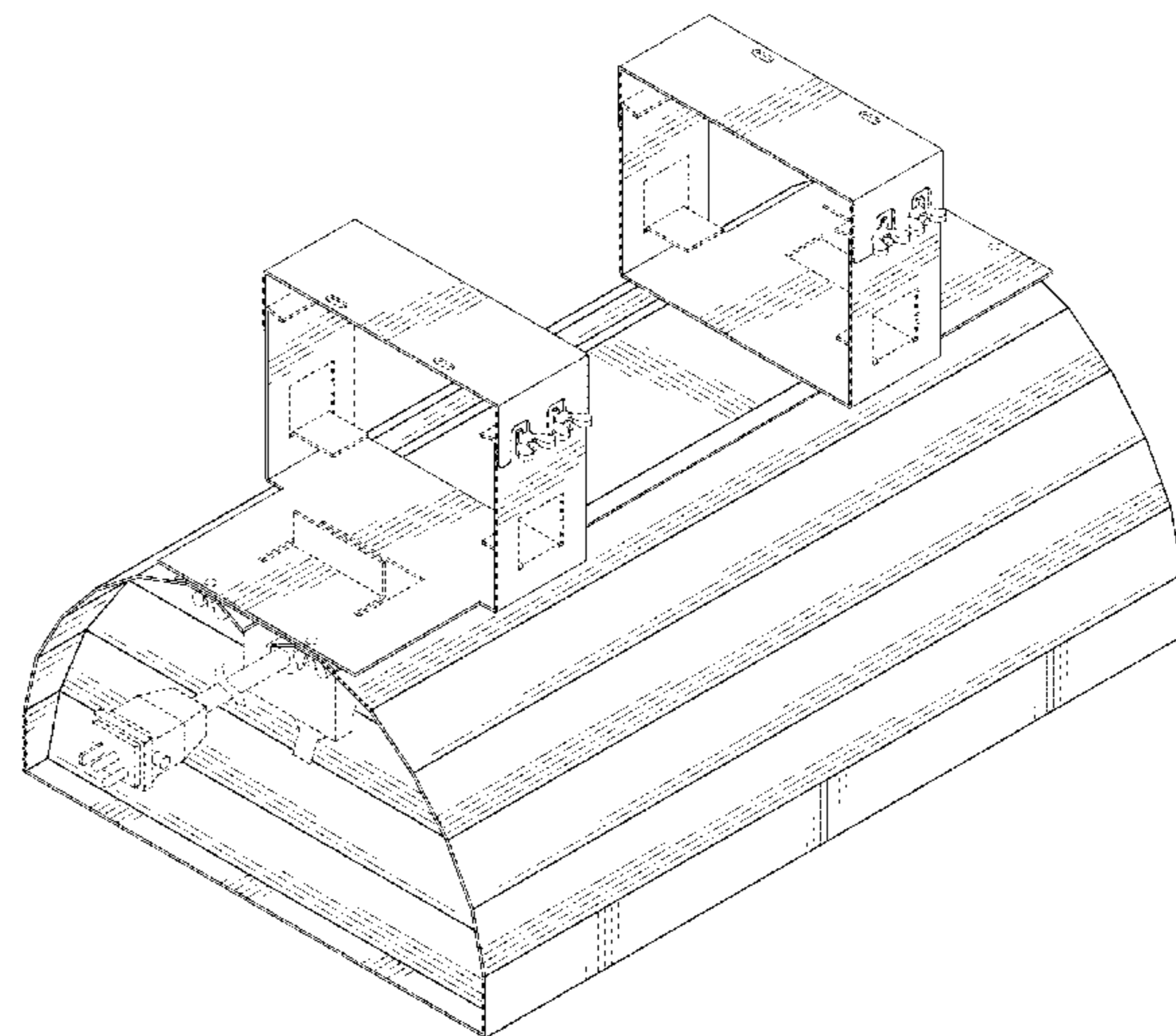
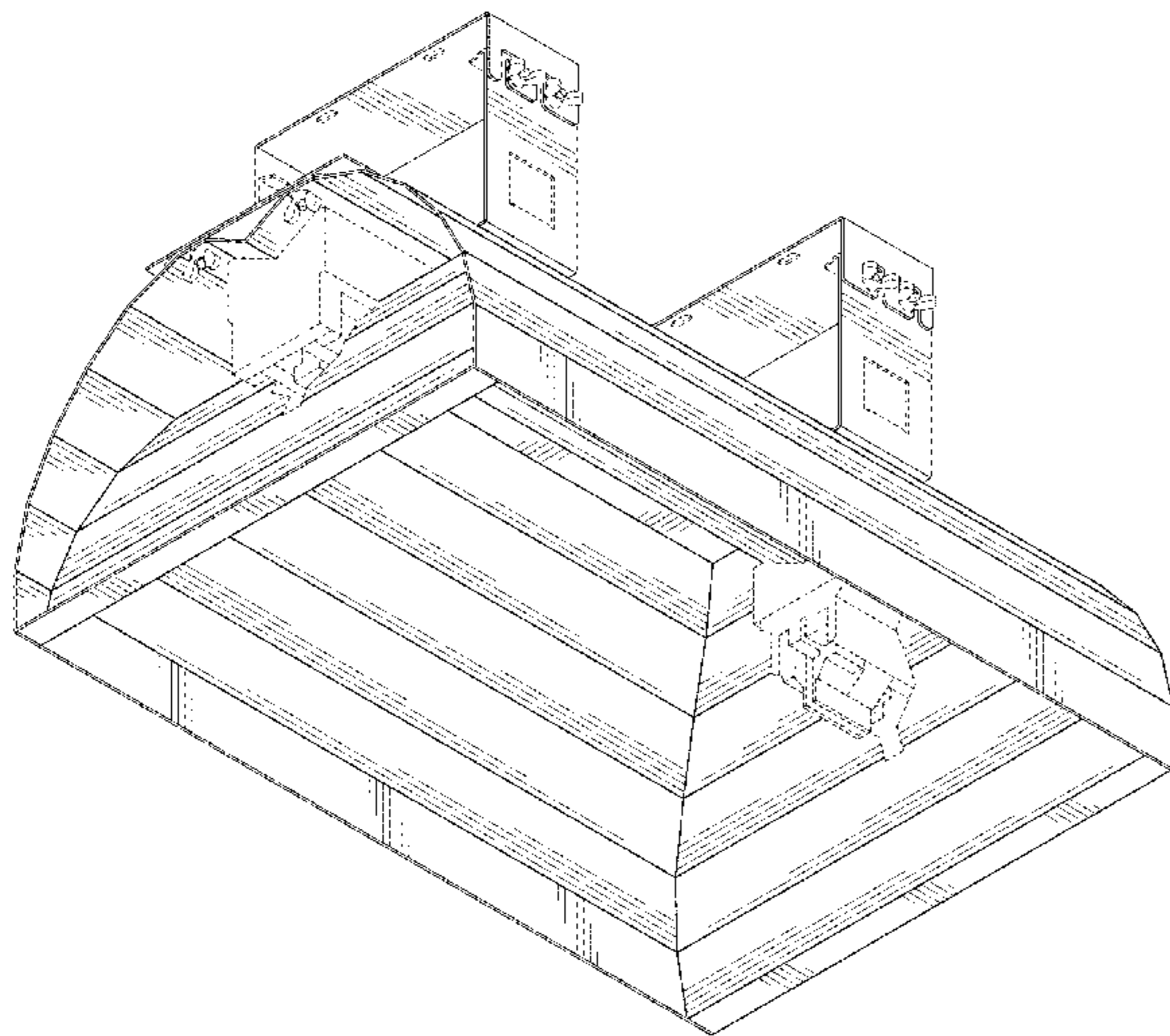
FIG. 1 is a perspective view of a first embodiment of a greenhouse light, as viewed from below, showing my new design; FIG. 2 is a perspective view of the light shown in FIG. 1, as viewed from above;

FIG. 3 is a left side view of the light shown in FIG. 1; FIG. 4 is a right side view of the light shown in FIG. 1; FIG. 5 is a front elevation view of the light shown in FIG. 1; FIG. 6 is a rear elevation view of the light shown in FIG. 1; FIG. 7 is a top plan view of the light shown in FIG. 1; FIG. 8 is a bottom plan view of the light shown in FIG. 1; FIG. 9 is a perspective view of a second embodiment of a greenhouse light, as viewed from below, showing my new design;

FIG. 10 is a perspective view of the light shown in FIG. 9, as viewed from above; FIG. 11 is a left side view of the light shown in FIG. 9; FIG. 12 is a right side view of the light shown in FIG. 9; FIG. 13 is a front elevation view of the light shown in FIG. 9; FIG. 14 is a rear elevation view of the light shown in FIG. 9; FIG. 15 is a top plan view of the light shown in FIG. 9; and, FIG. 16 is a bottom plan view of the light shown in FIG. 9.

The broken-line disclosure shown in the views is understood to represent portions of the article in which the claimed design is embodied, but which form no part of the claimed design.

1 Claim, 16 Drawing Sheets



(56)

References Cited

U.S. PATENT DOCUMENTS

D135,375 S 3/1943 Biller
 D143,061 S * 12/1945 Creed D26/78
 2,740,883 A 4/1956 Michael
 3,272,978 A 9/1966 Jackson
 D268,287 S 3/1983 Boschetti
 4,531,180 A 7/1985 Hernandez
 4,779,178 A * 10/1988 Spitz F21S 8/06
 362/220
 4,933,821 A 6/1990 Anderson
 D311,597 S 10/1990 Poot
 D352,126 S 11/1994 Ruud
 D377,234 S 1/1997 Roberts
 D447,272 S 8/2001 Smith
 D456,938 S * 5/2002 Wardenburg D26/118
 D459,825 S 7/2002 Field
 D469,564 S 1/2003 Brok
 6,527,422 B1 3/2003 Hutchison
 6,595,662 B2 7/2003 Wardenburg
 D542,460 S * 5/2007 Hargreaves D26/118
 D543,652 S 5/2007 Hargreaves
 D543,654 S 5/2007 Hargreaves
 D544,131 S 6/2007 Blackman
 D544,139 S 6/2007 Hargreaves
 D544,626 S 6/2007 Hargreaves
 D544,983 S 6/2007 Hargreaves
 D544,984 S 6/2007 Hargreaves
 D544,985 S 6/2007 Hargreaves
 D544,987 S 6/2007 Hargreaves
 D544,995 S * 6/2007 Hargreaves D26/118
 D545,484 S * 6/2007 Hargreaves D26/118
 D586,030 S 2/2009 Genova
 7,524,090 B2 4/2009 Hargreaves
 D613,900 S 4/2010 Hargreaves
 D614,801 S 4/2010 Collins
 7,722,208 B1 5/2010 Dupre
 7,722,228 B2 5/2010 Broer
 D634,060 S 3/2011 Wardenburg
 D634,468 S 3/2011 Hargreaves
 D634,469 S 3/2011 Hargreaves
 D637,162 S 5/2011 Bridgman
 D637,752 S 5/2011 Mehktarian

7,959,331 B2 6/2011 Ho
 7,972,044 B2 7/2011 Burkhauser
 8,209,912 B2 7/2012 Hargreaves
 D672,911 S 12/2012 Mayfield
 D675,369 S 1/2013 Michaud
 8,348,481 B2 1/2013 Chang
 D678,599 S 3/2013 Boyer
 D683,064 S 5/2013 Tuck
 D698,987 S * 2/2014 Stanley D26/118
 D725,819 S 3/2015 Reynolds
 9,010,970 B2 4/2015 Guercio
 9,016,907 B2 4/2015 Stanley
 D731,701 S 6/2015 Hargreaves
 D732,233 S 6/2015 Reynolds
 D732,235 S 6/2015 Reynolds
 D732,236 S * 6/2015 Reynolds D26/118
 D736,450 S 8/2015 Reynolds
 D737,134 S 8/2015 Thompson
 D737,498 S 8/2015 Stanley
 9,110,209 B2 8/2015 Blessitt
 D739,595 S 9/2015 Reynolds
 D750,312 S * 2/2016 Reynolds D26/118
 D751,244 S * 3/2016 Reynolds D26/118
 2001/0023173 A1 9/2001 Schiedegger
 2002/0141195 A1 * 10/2002 Peter A01G 7/045
 362/362
 2008/0205030 A1 8/2008 Hargreaves
 2008/0205071 A1 8/2008 Townsley
 2008/0278950 A1 11/2008 Pickard
 2009/0262540 A1 10/2009 Hargreaves
 2009/0323335 A1 12/2009 Yang
 2013/0083539 A1 4/2013 Dimitriadis
 2015/0082692 A1 * 3/2015 Wardenburg F21V 7/0016
 47/19.2

OTHER PUBLICATIONS

Horticultural Lighting, image post date Sep. 2008, site visted Sep. 30, 2015, (online), <<http://www.dendroboard.com/forum/sponsor-classifieds/104681-grow-your-own-plants-horticulture-neherp.html>>.
 Steel S Section, image post date Aug. 30, 2000, site visted Sep. 30, 2015 (online), <<http://web.archive.org/web/20000830093120/http://www.efunda.com/math/areas/RolledSteelBeamsS.cfm>>.

* cited by examiner

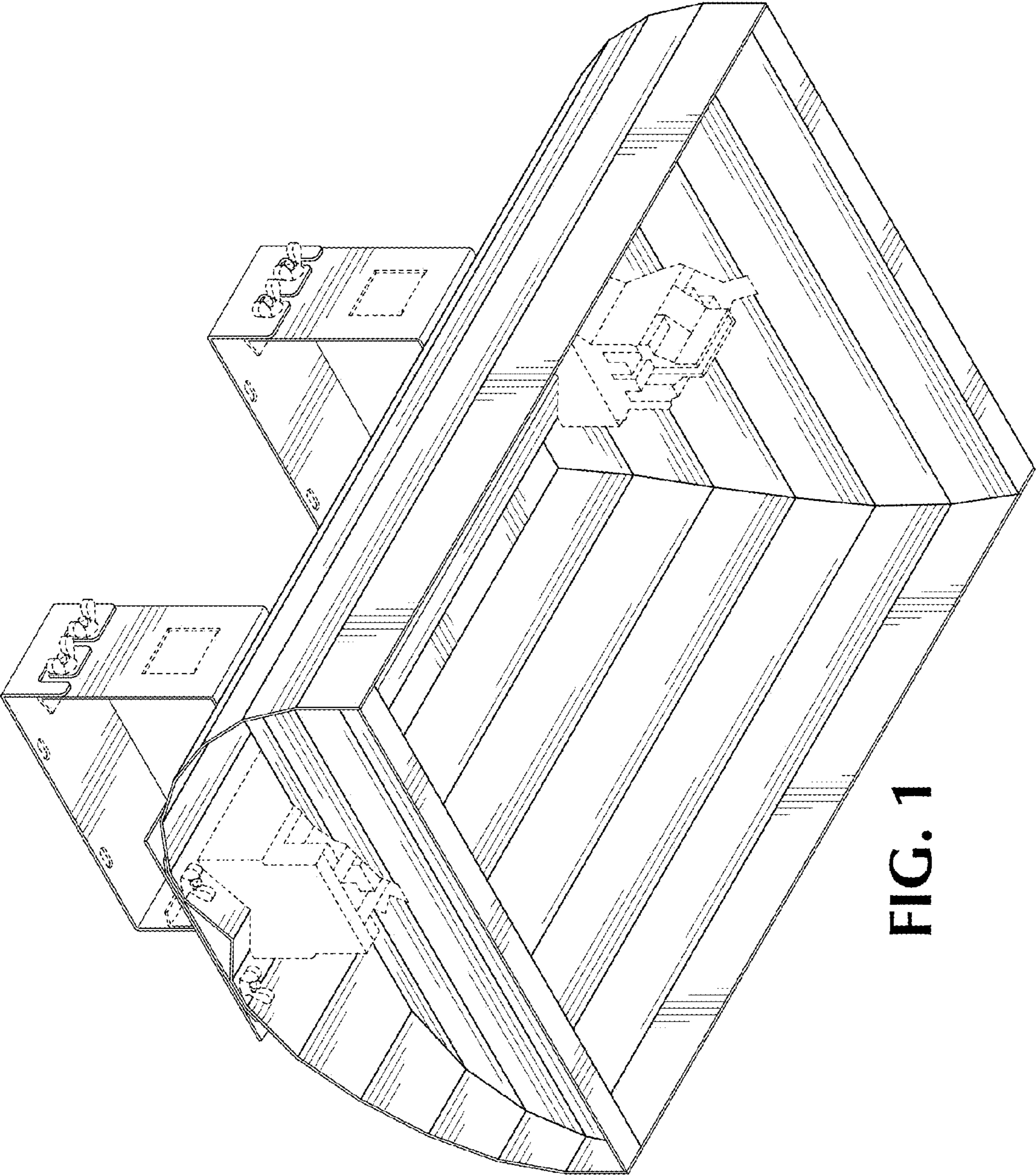


FIG. 1

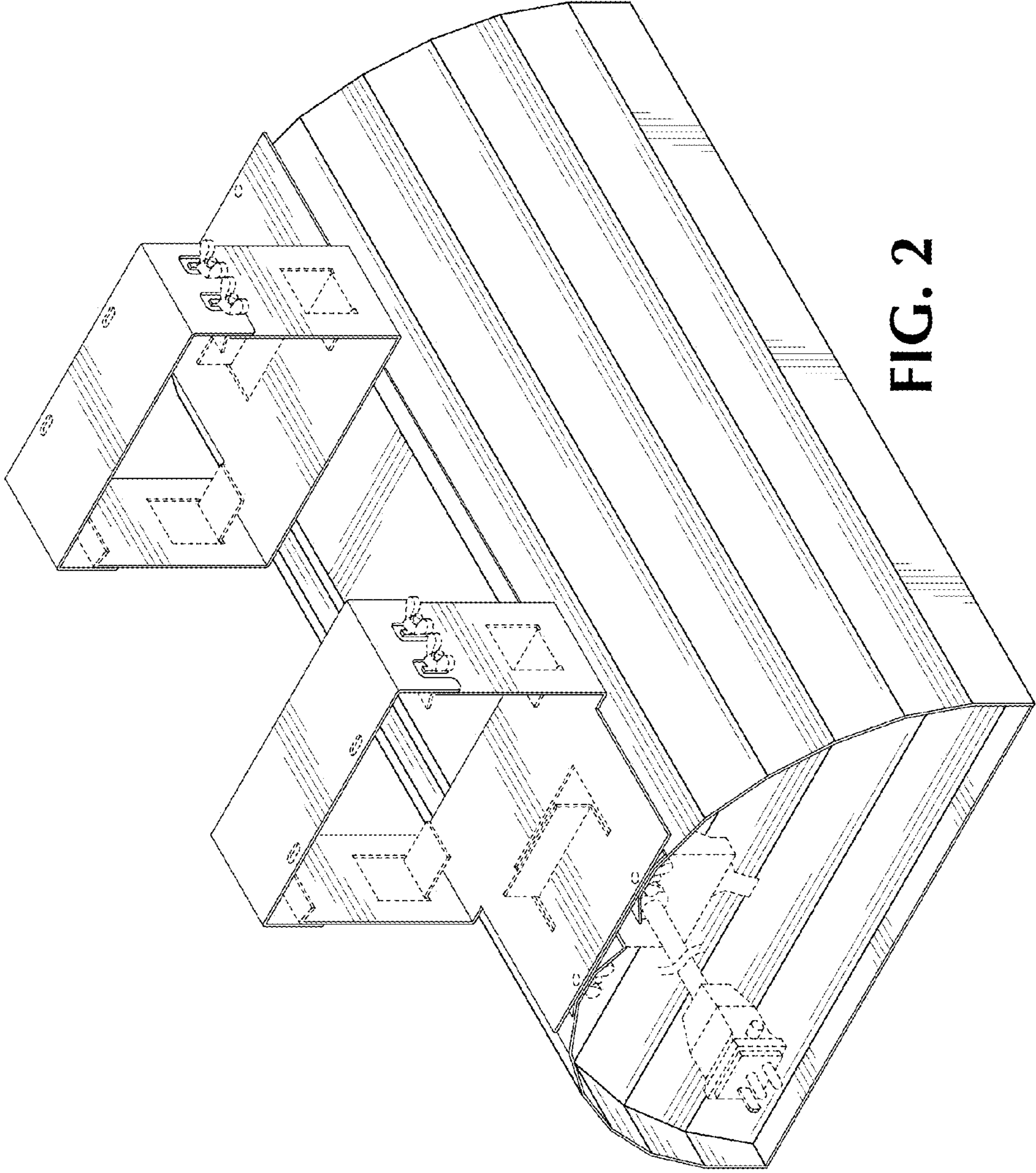


FIG. 2

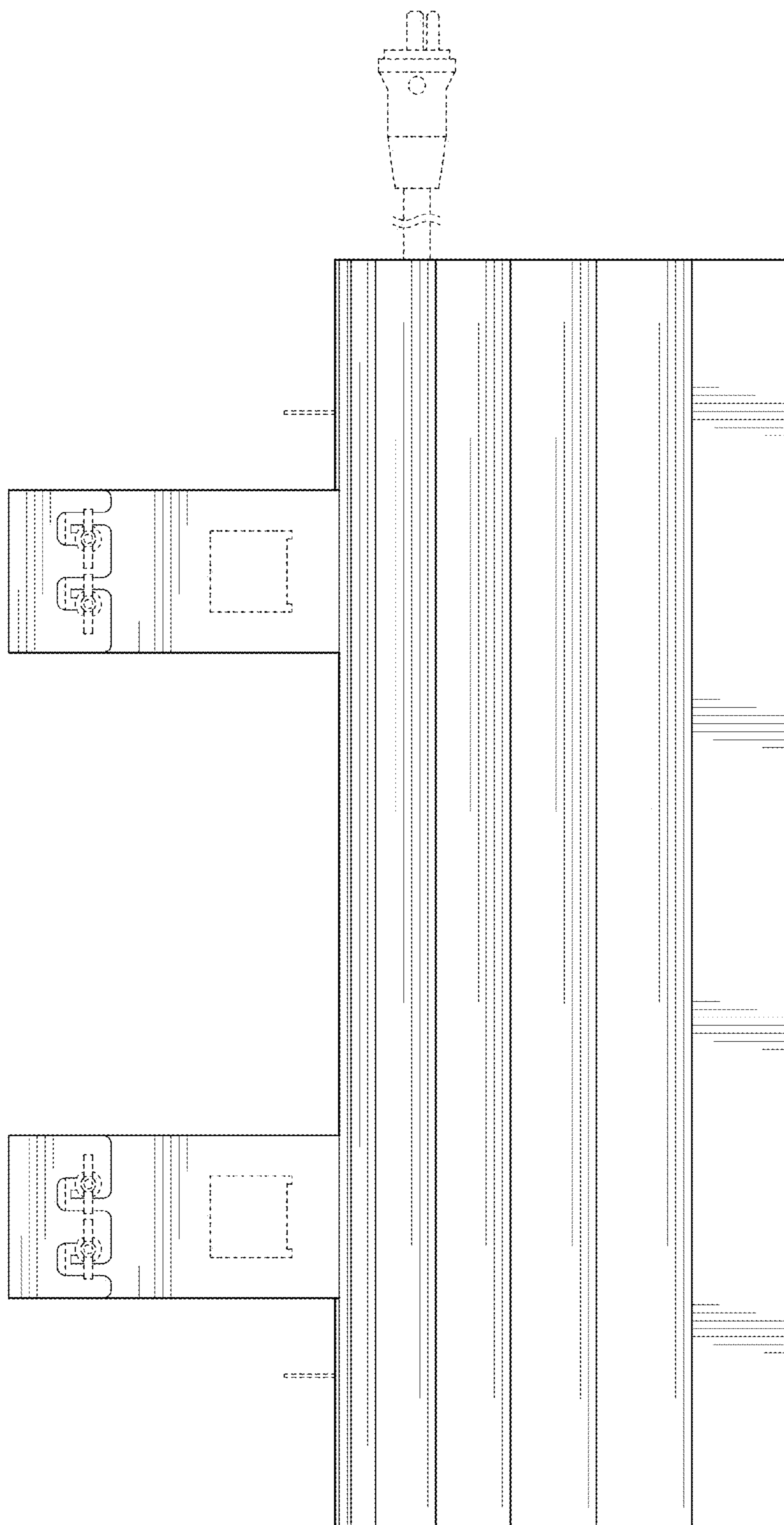


FIG. 3

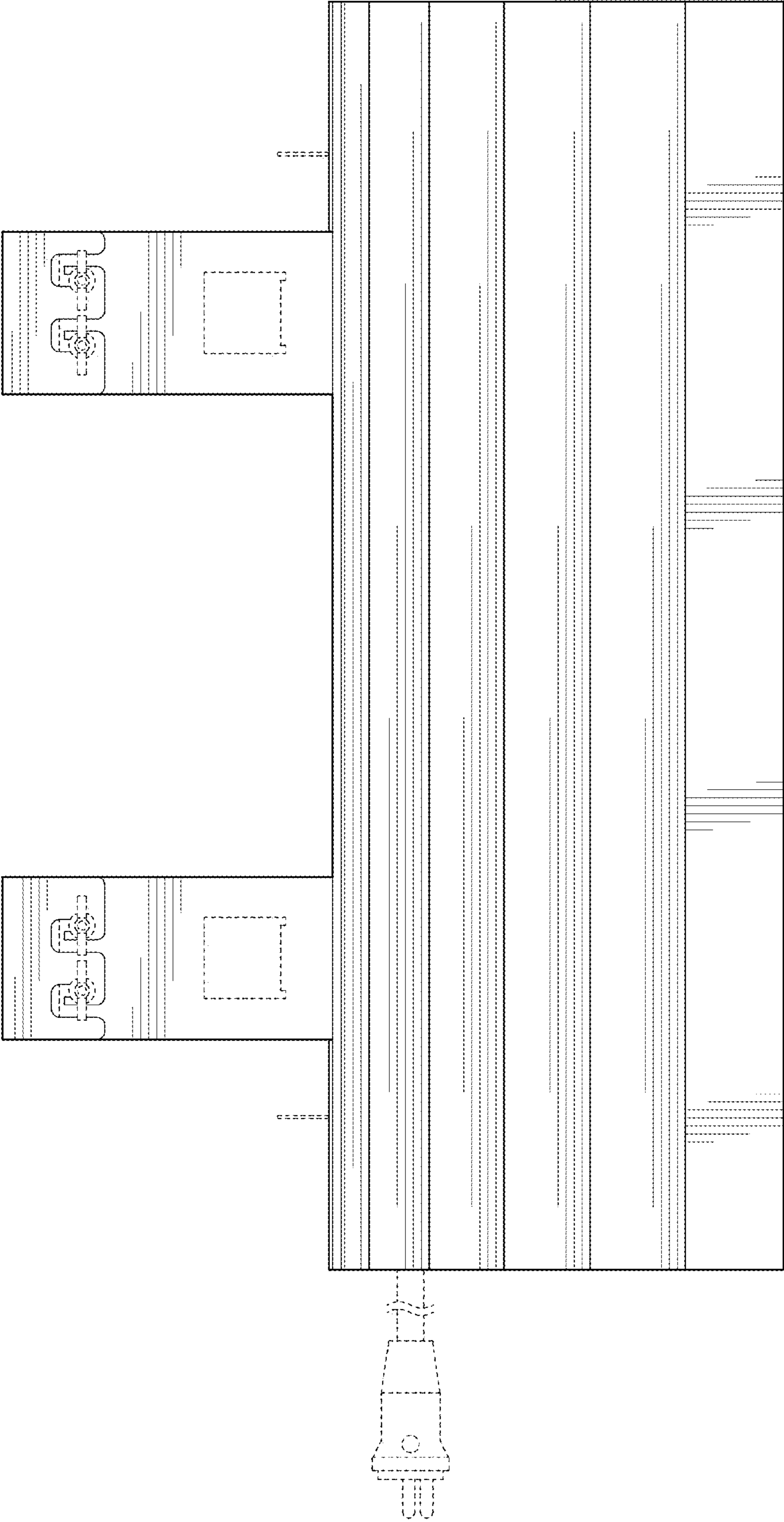


FIG. 4

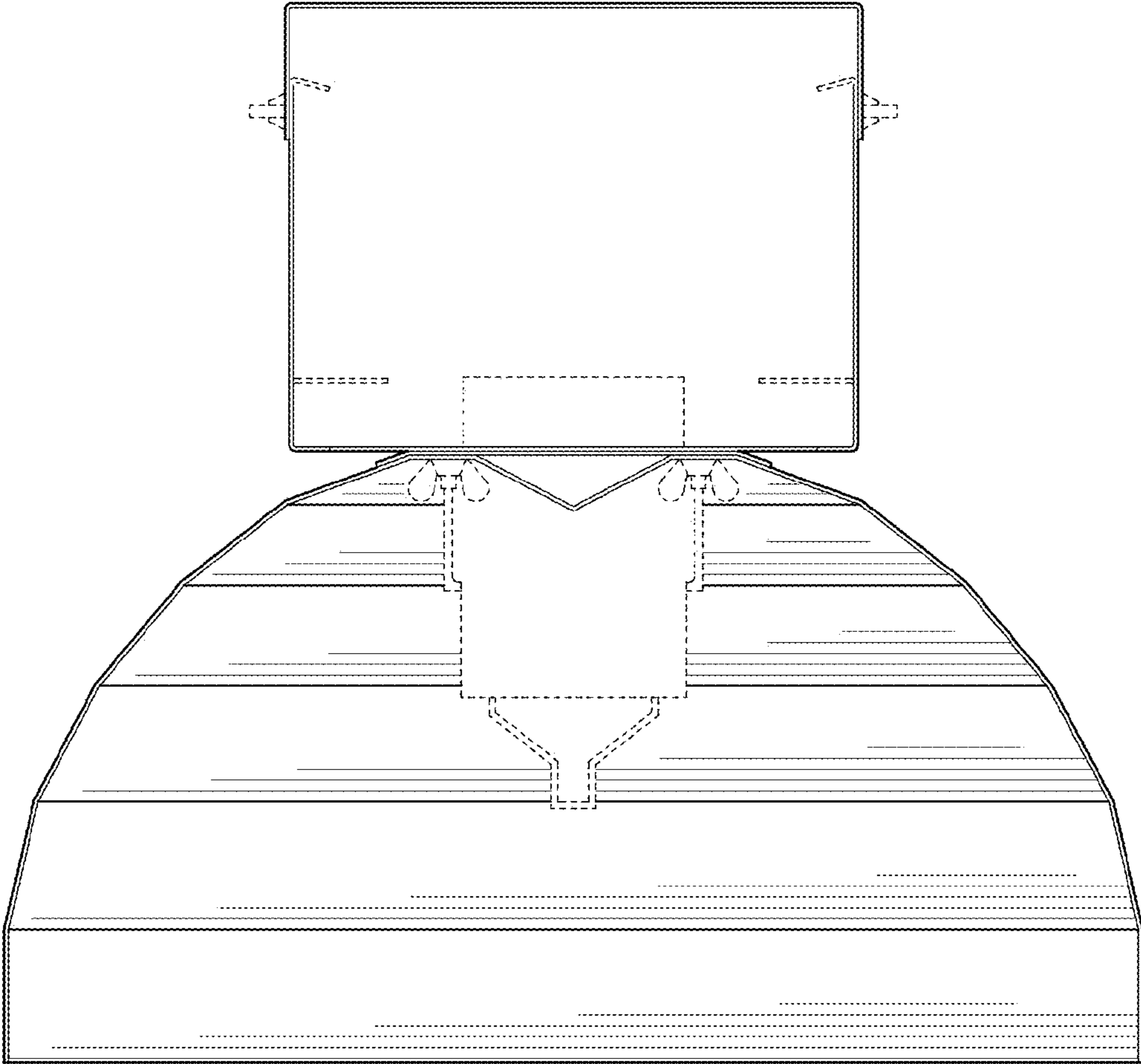


FIG. 5

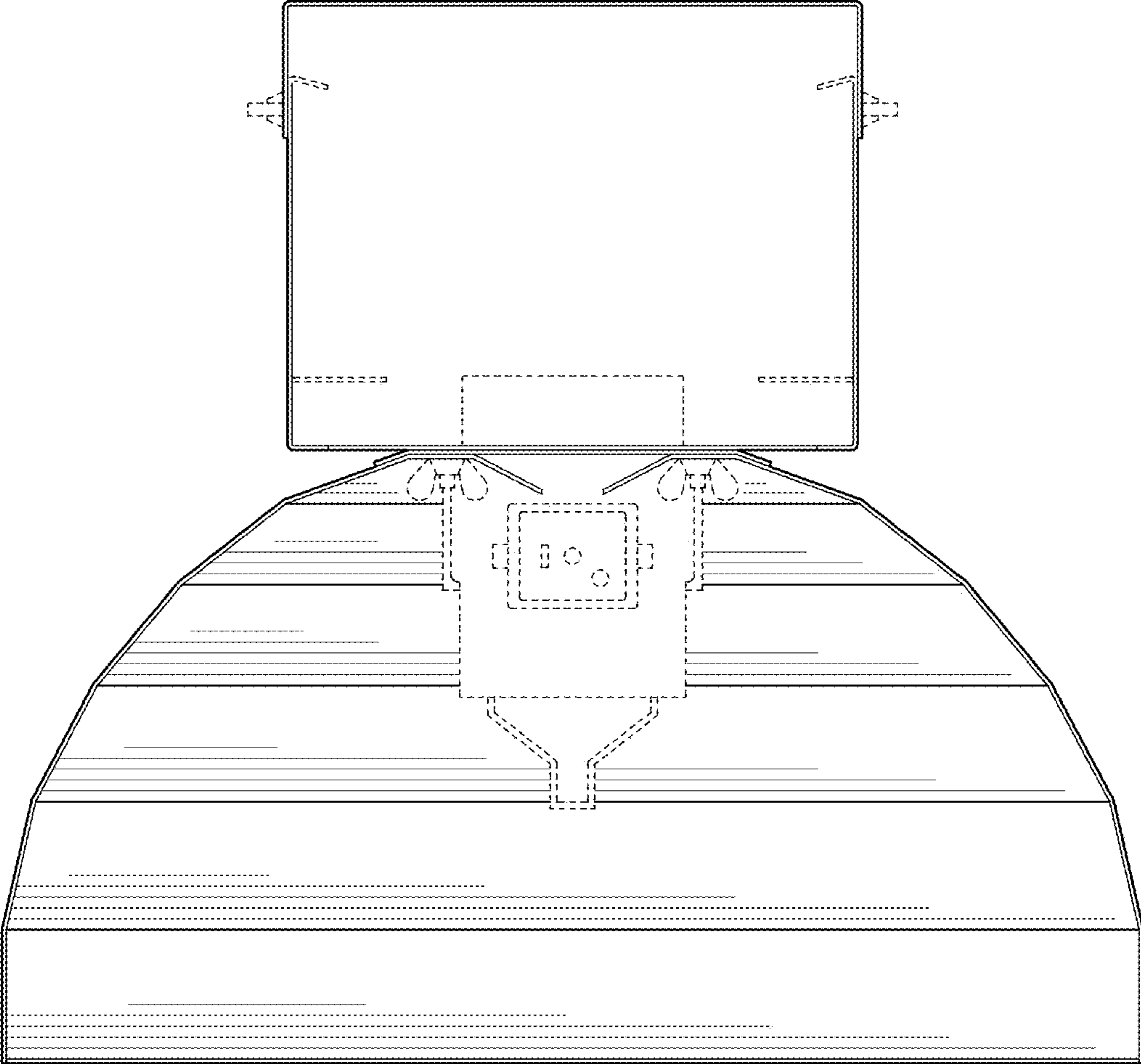


FIG. 6

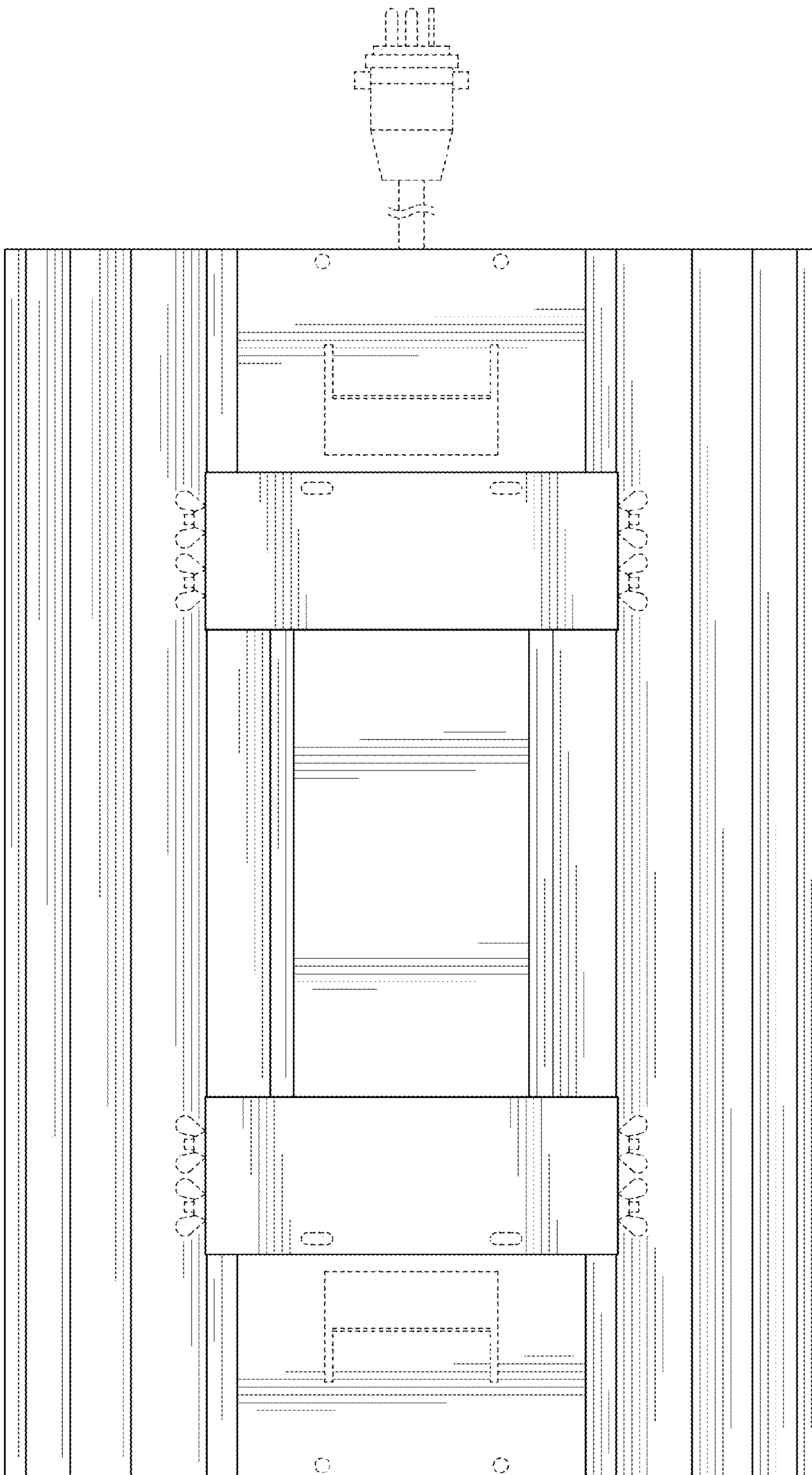


FIG. 7

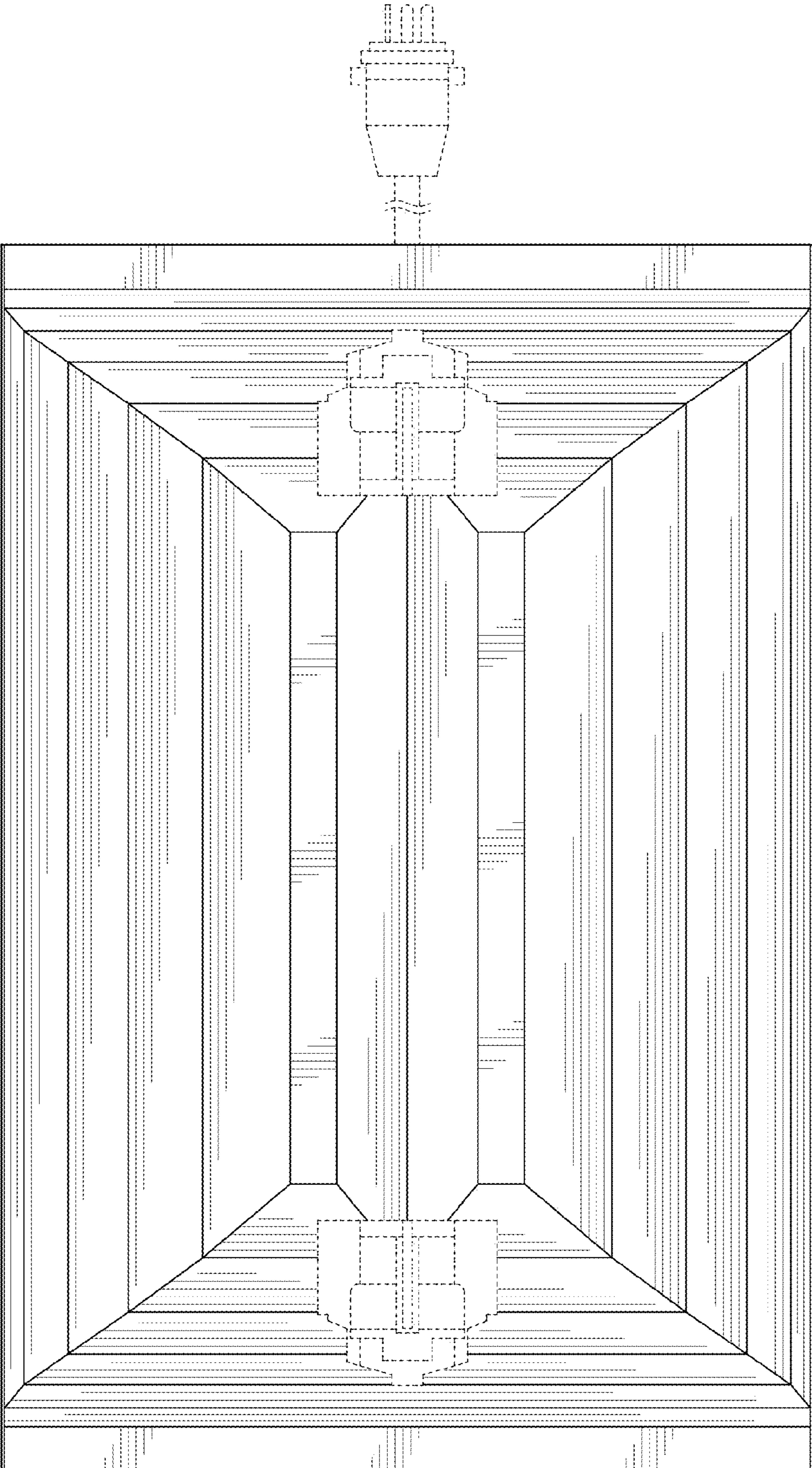


FIG. 8

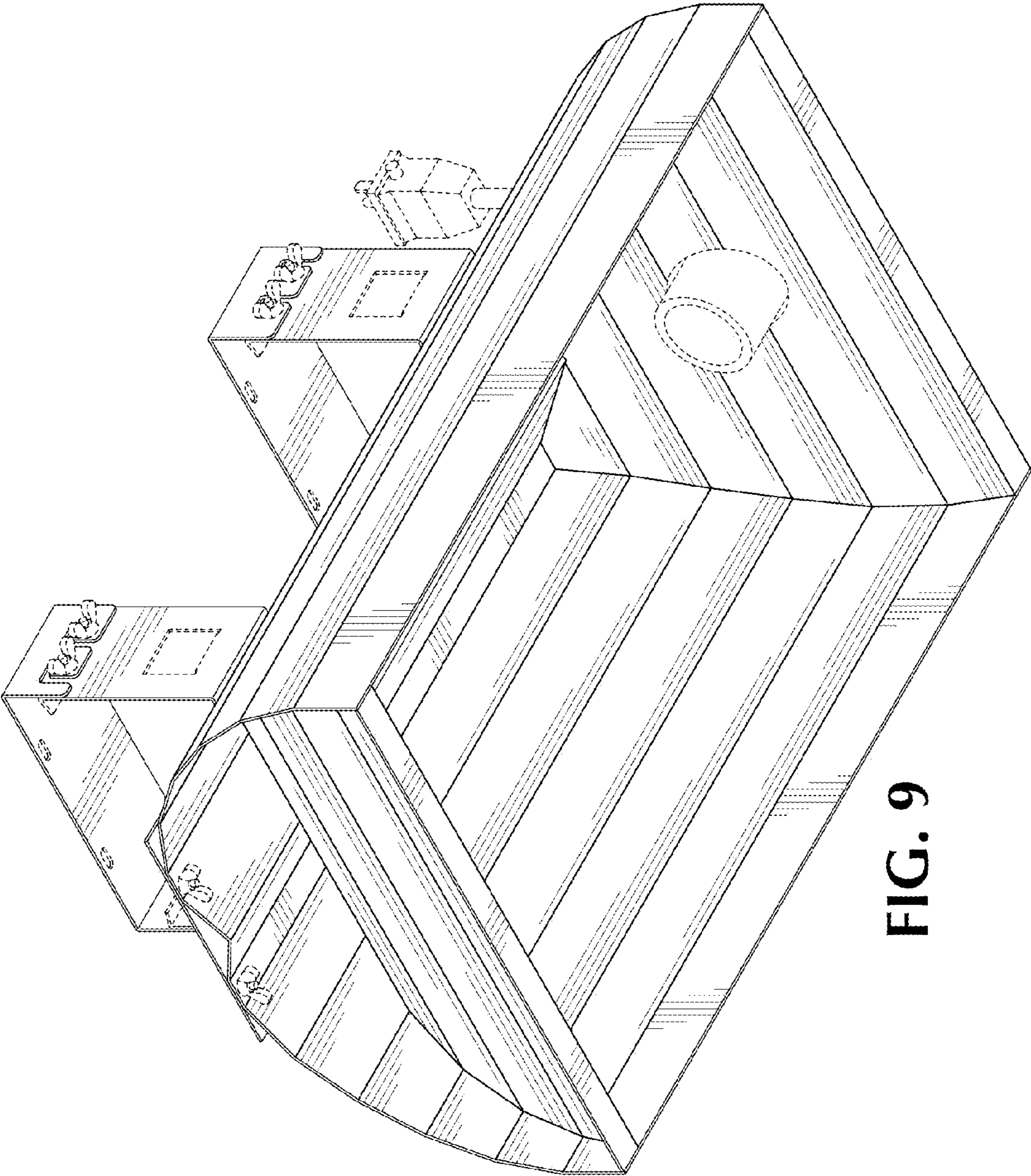


FIG. 9

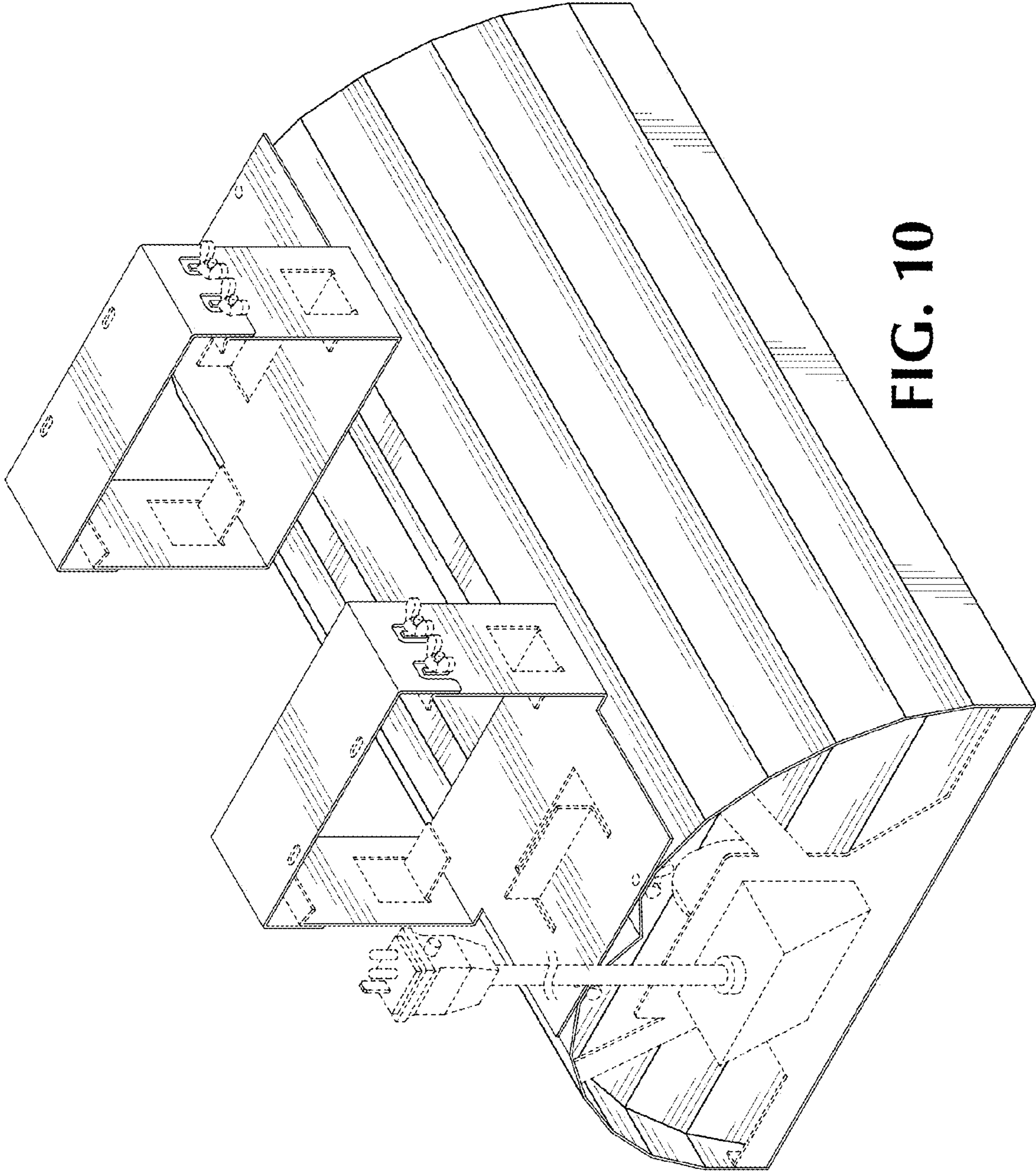


FIG. 10

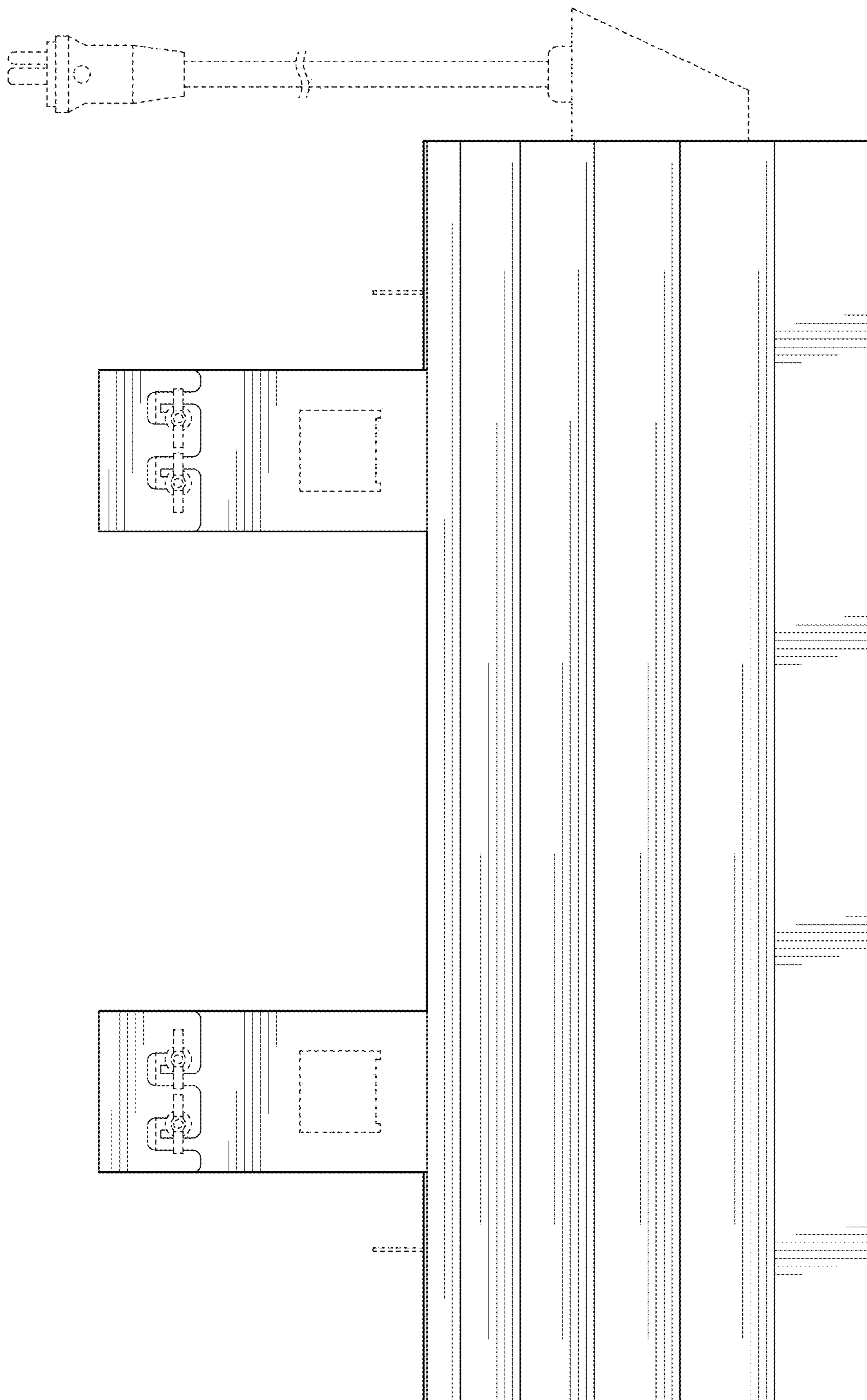


FIG. 11

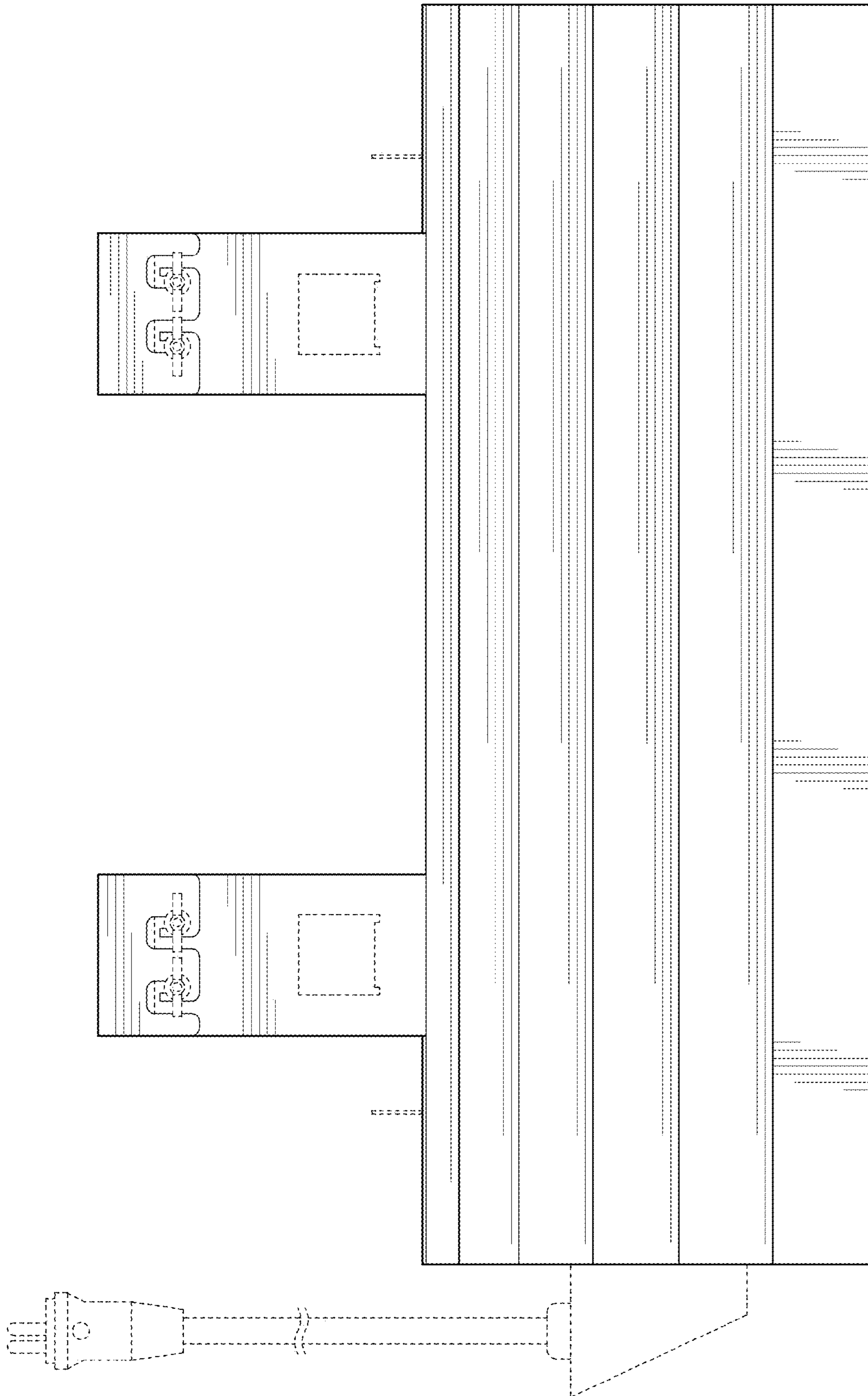


FIG. 12

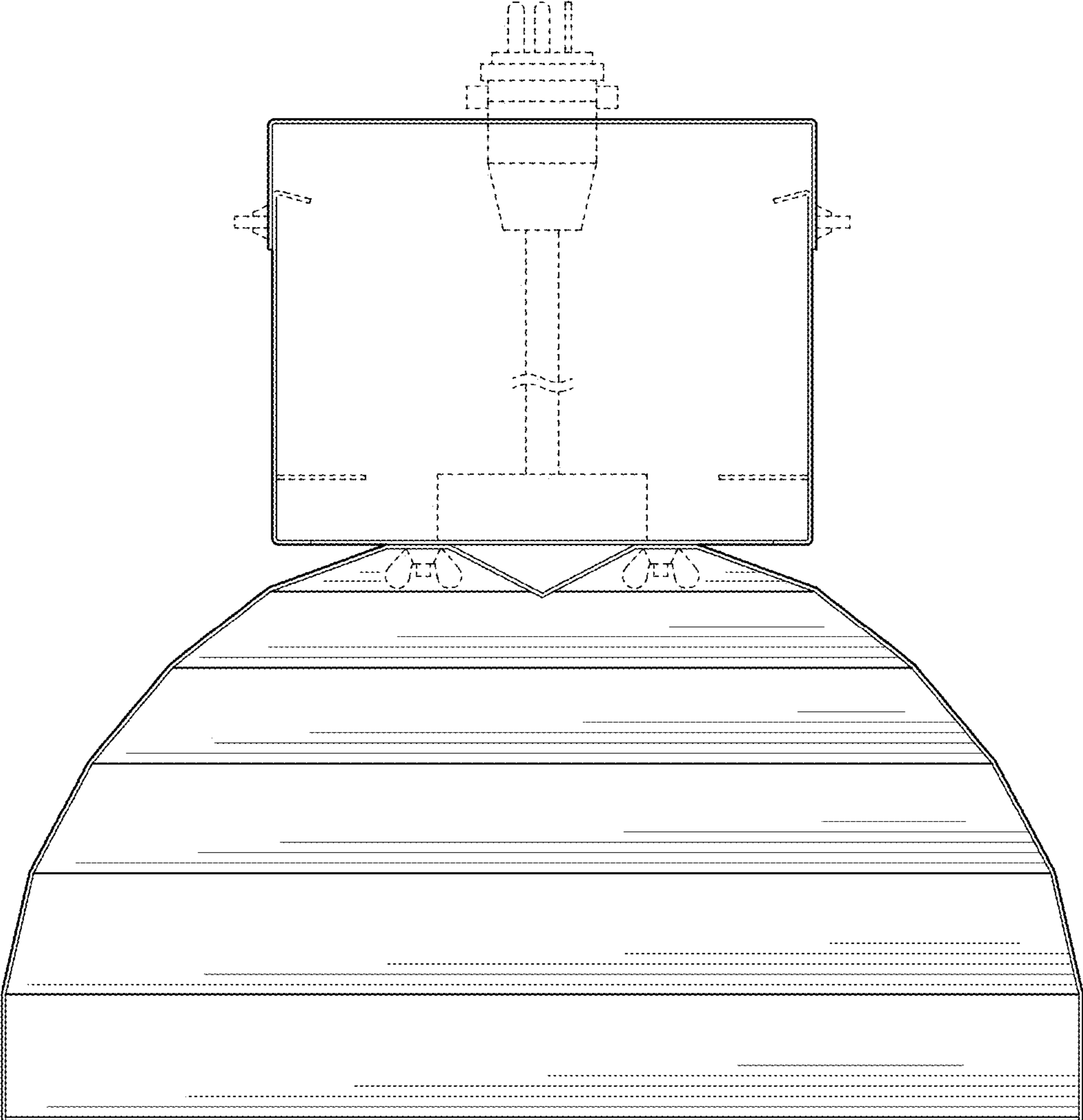


FIG. 13

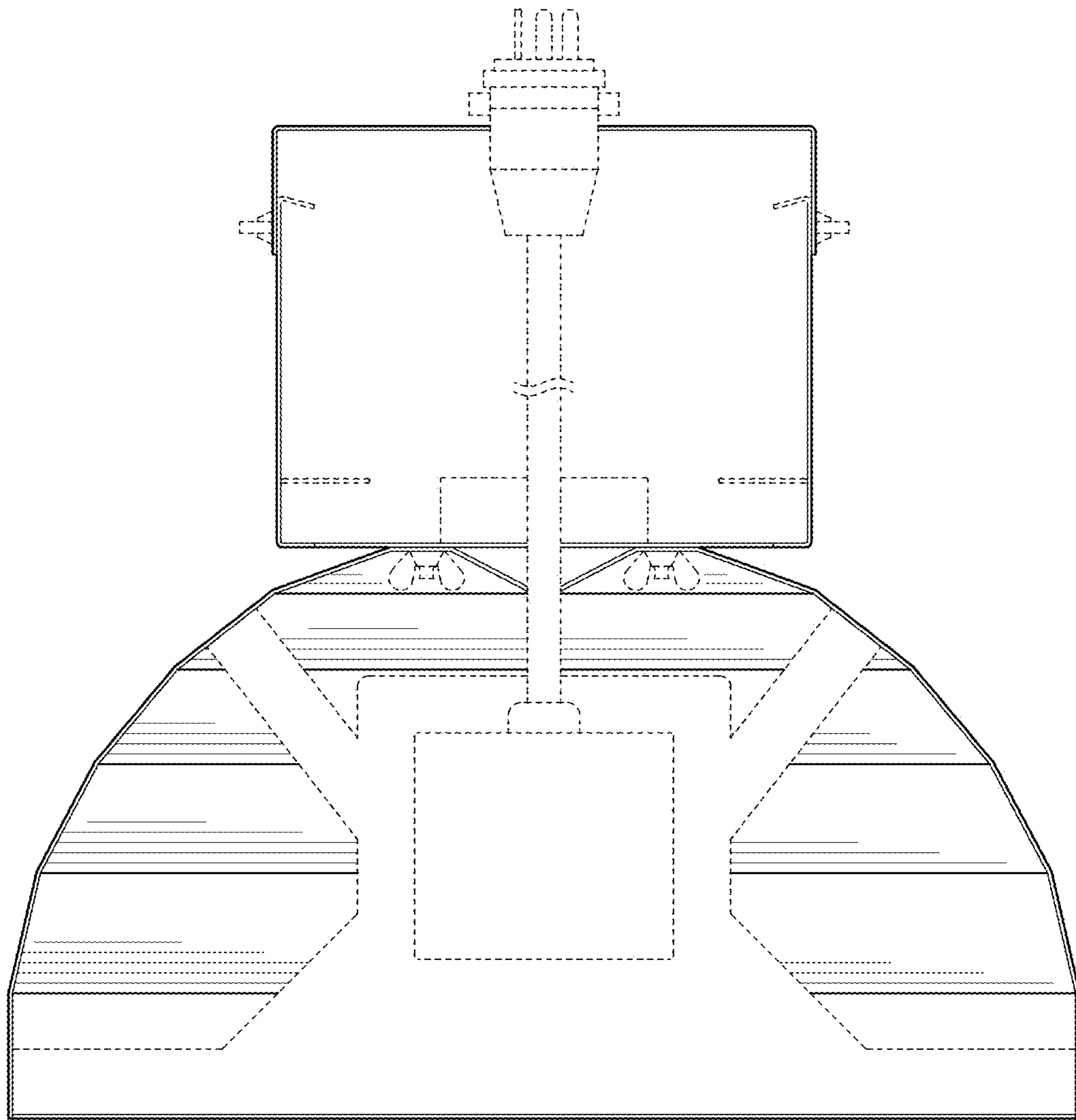


FIG. 14

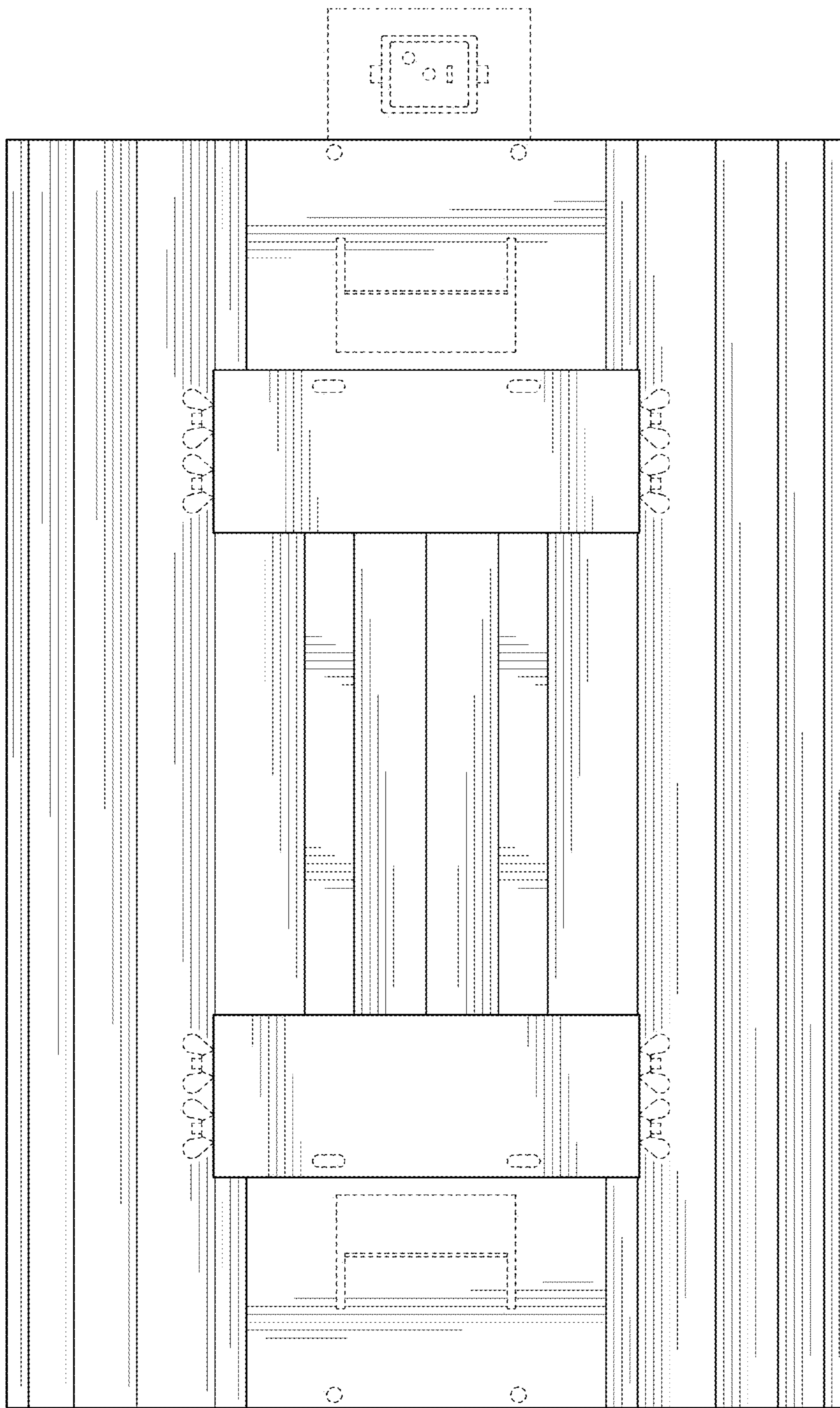


FIG. 15

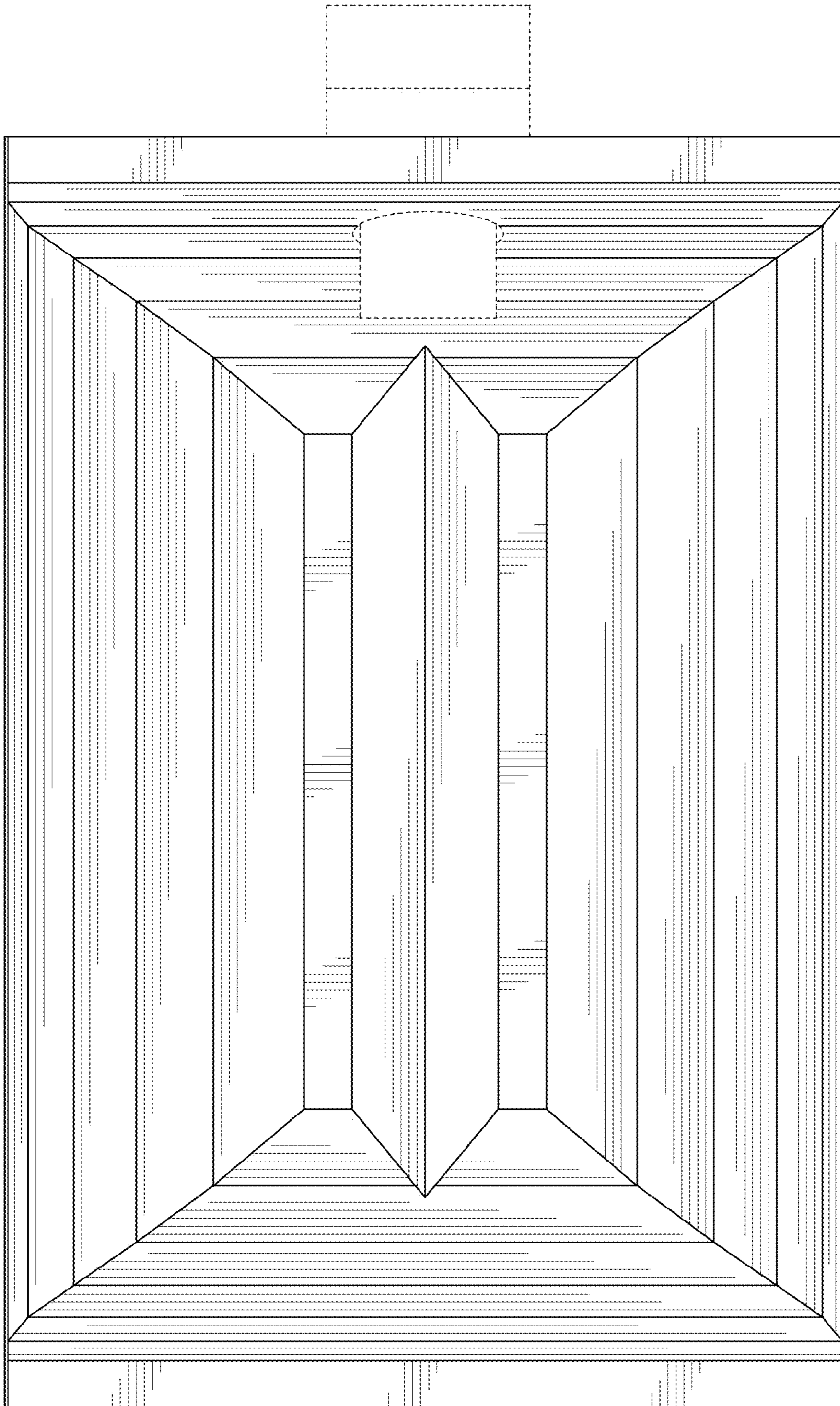


FIG. 16