



US00D757322S

(12) **United States Design Patent**
Martin

(10) **Patent No.:** **US D757,322 S**
(45) **Date of Patent:** **** May 24, 2016**

(54) **LAMP**
(71) Applicant: **Hubbardton Forge LLC**, Castleton, VT (US)
(72) Inventor: **David Martin**, Brandon, VT (US)
(73) Assignee: **Hubbardton Forge LLC**, Castleton, VT (US)
(**) Term: **14 Years**

D203,294 S * 12/1965 Cianca D26/71
D224,753 S * 9/1972 Breed D26/71
D226,326 S * 2/1973 Anderson, Jr. D26/71
5,997,151 A * 12/1999 Douglass, II F21S 8/06
362/239
D672,078 S * 12/2012 Lui D26/71
D672,491 S * 12/2012 Shin D26/71
D691,759 S * 10/2013 Boyer D26/71
D707,381 S * 6/2014 Maxik D26/71
D729,967 S * 5/2015 Szalontai D26/71
D729,968 S * 5/2015 Szalontai D26/71
9,159,520 B2 * 10/2015 Carpenter H01J 65/044

* cited by examiner

(21) Appl. No.: **29/511,267**

Primary Examiner — Clare E Heflin

(22) Filed: **Dec. 9, 2014**

(51) **LOC (10) Cl.** **26-05**

(52) **U.S. Cl.**
USPC **D26/71**

(57) **CLAIM**
The ornamental design for a lamp, as shown.

(58) **Field of Classification Search**
USPC D26/69–72, 85, 87, 92
CPC F21S 8/033; F21S 8/036; F21S 8/085;
F21S 8/086; F21S 8/088; F21S 9/03; F21S
9/032; F21S 9/035; F21S 9/037; F21W
2131/103; F21W 2131/107
See application file for complete search history.

DESCRIPTION

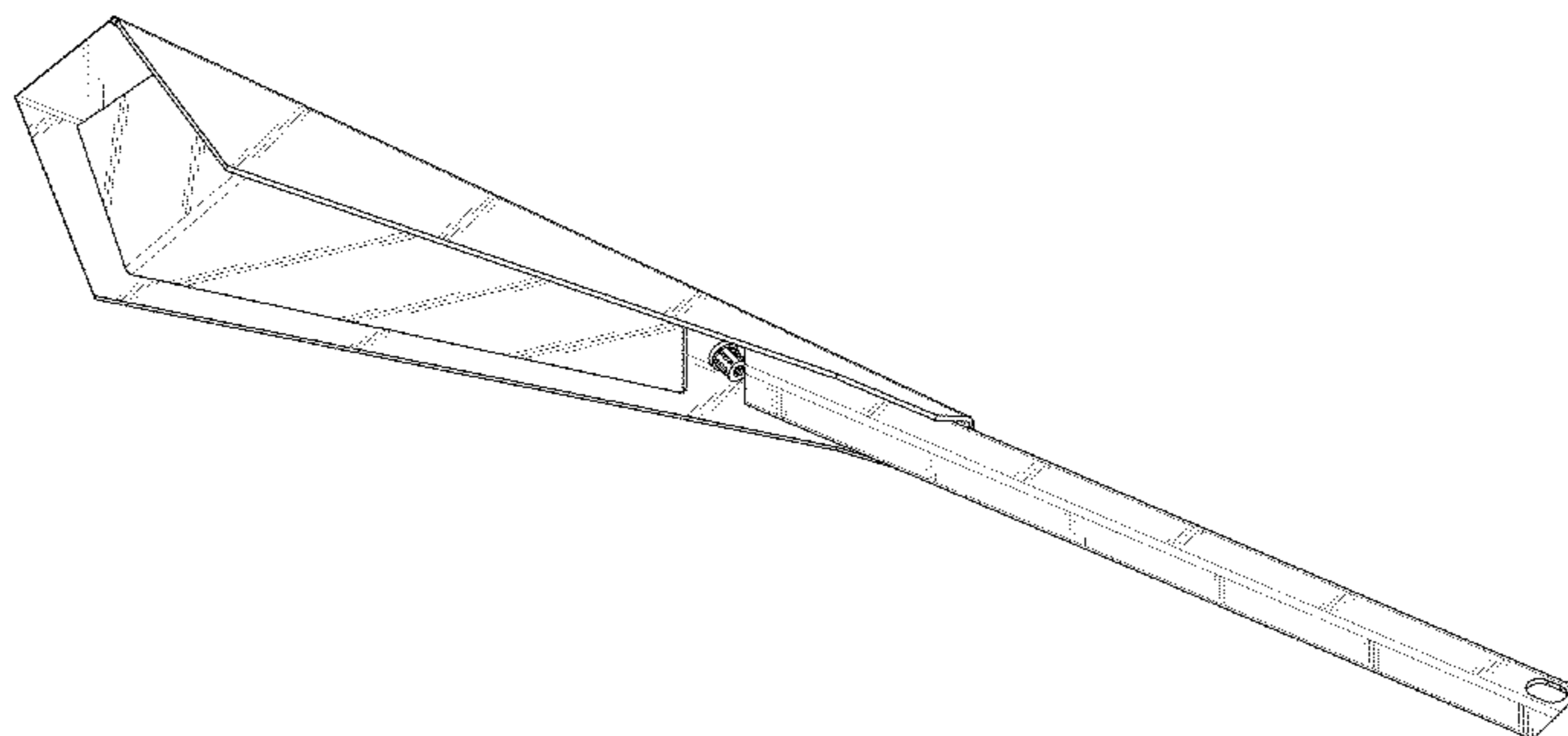
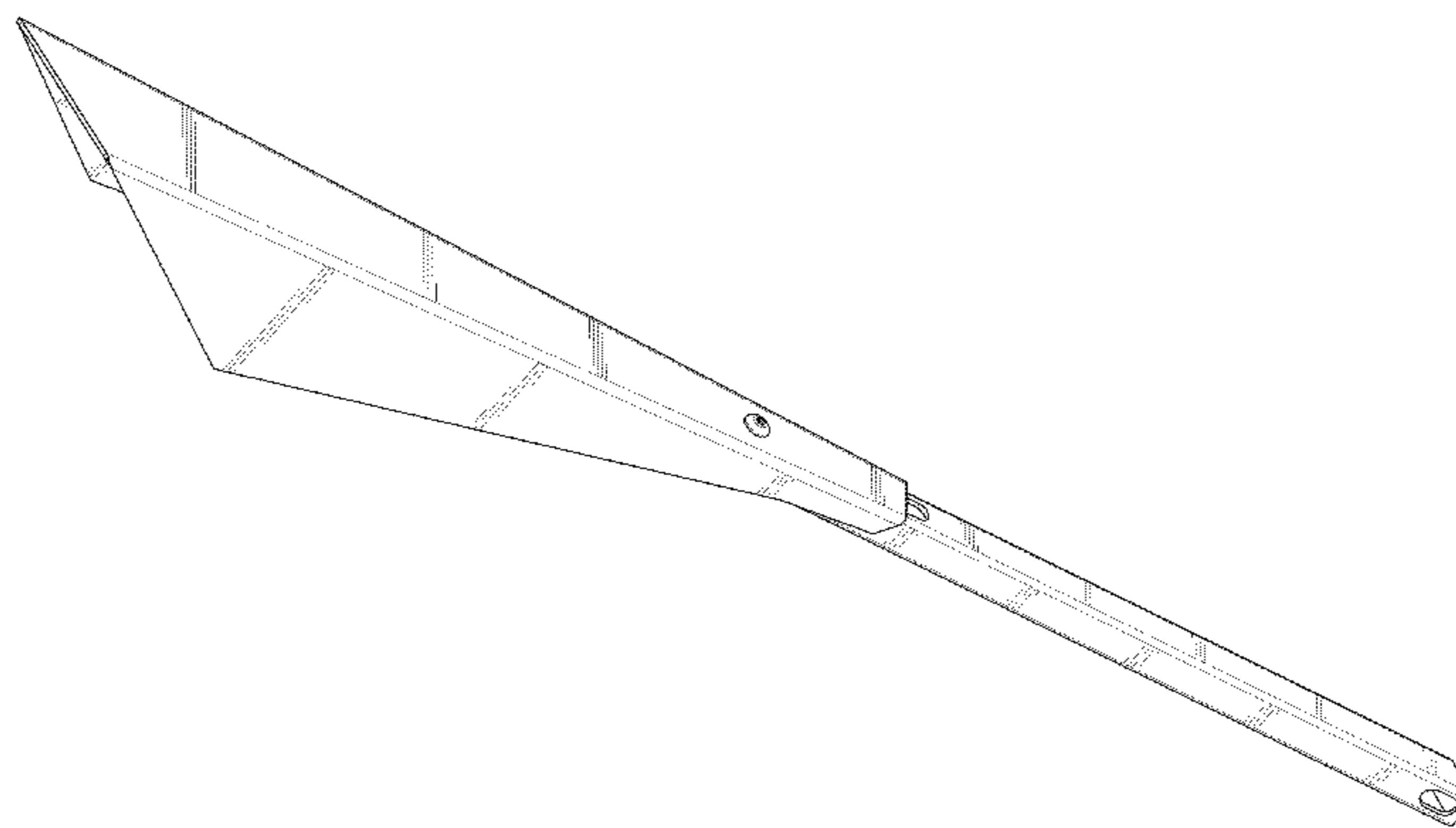
FIG. 1 is a front elevation view of the lamp according to the present invention;
FIG. 2 is a front, right side perspective view thereof;
FIG. 3 is a rear, left side perspective view thereof;
FIG. 4 is a front, perspective view thereof;
FIG. 5 is a rear, perspective view thereof;
FIG. 6 is a front, left side perspective view thereof; and,
FIG. 7 is a rear, right side perspective view thereof.

(56) **References Cited**

U.S. PATENT DOCUMENTS

D201,764 S * 7/1965 Mox D26/71
D201,765 S * 7/1965 Mox D26/71

1 Claim, 7 Drawing Sheets



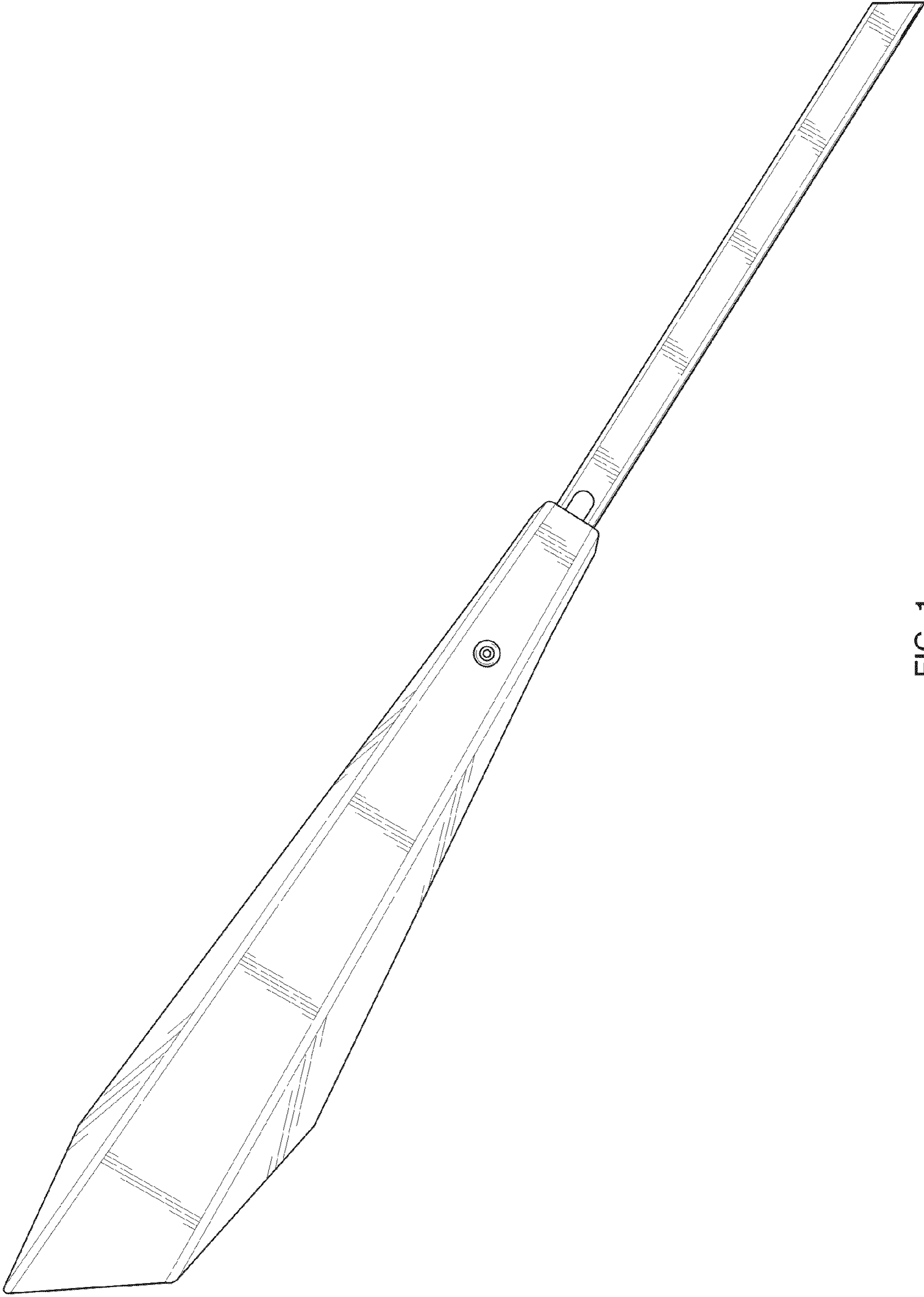


FIG. 1

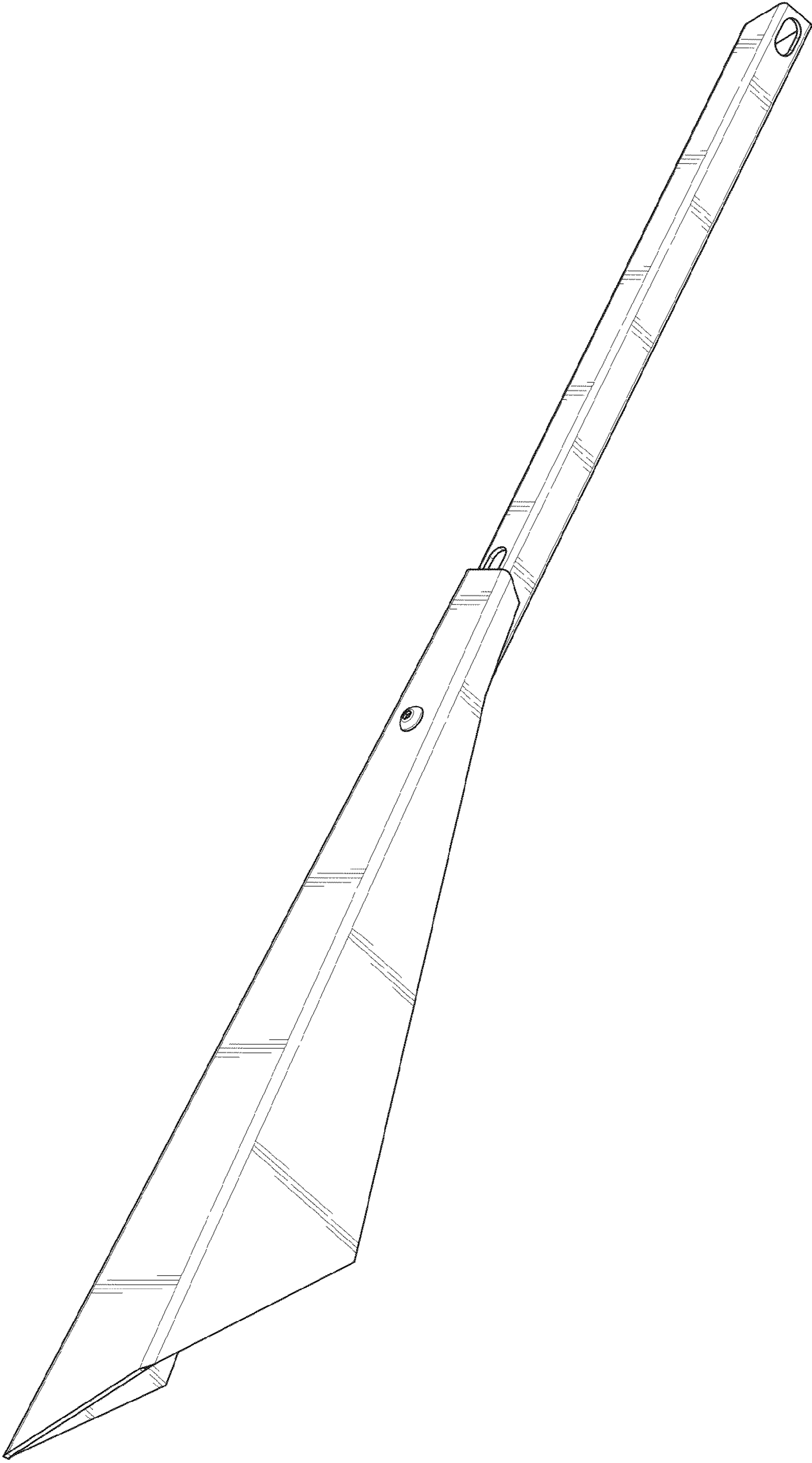


FIG. 2

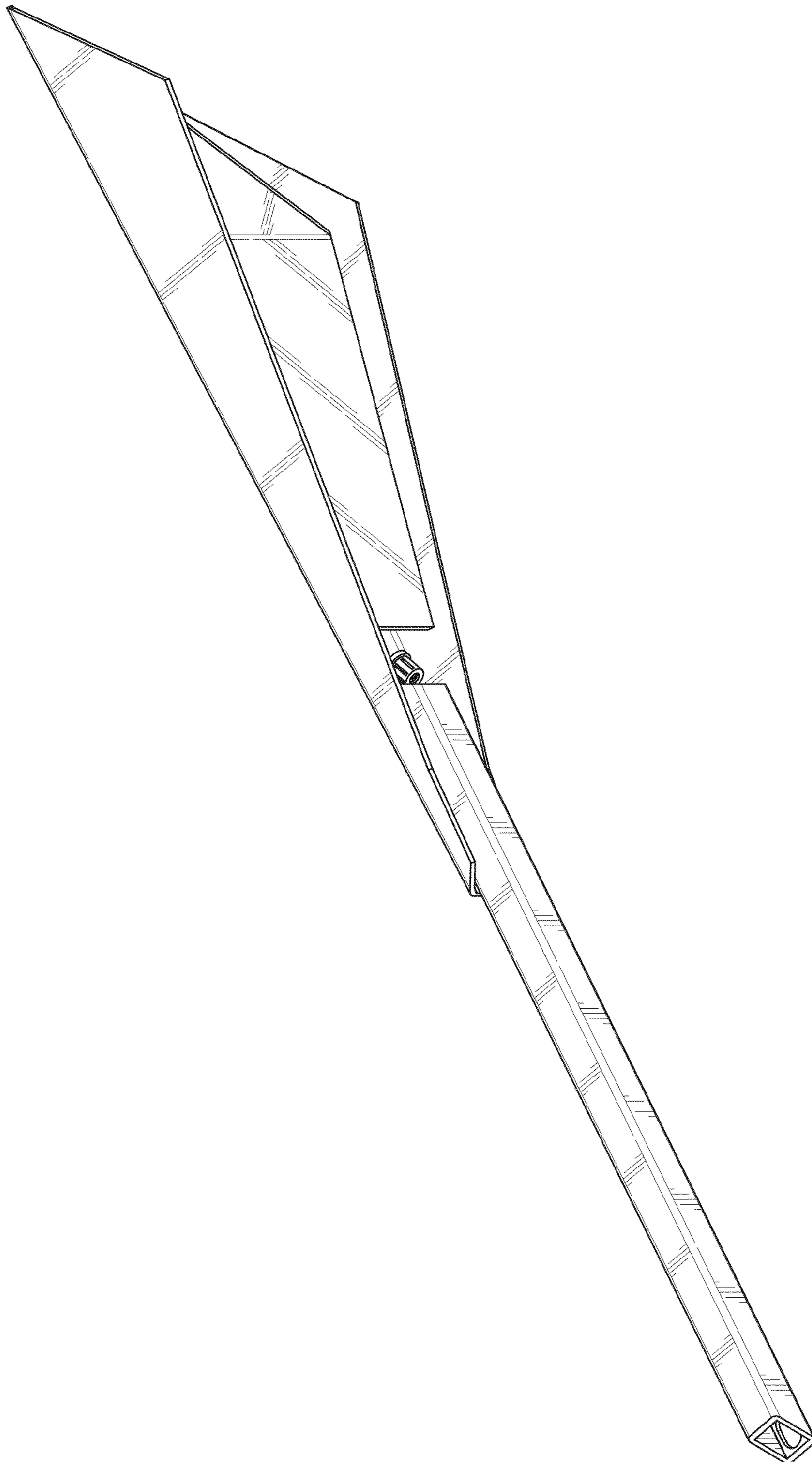


FIG. 3

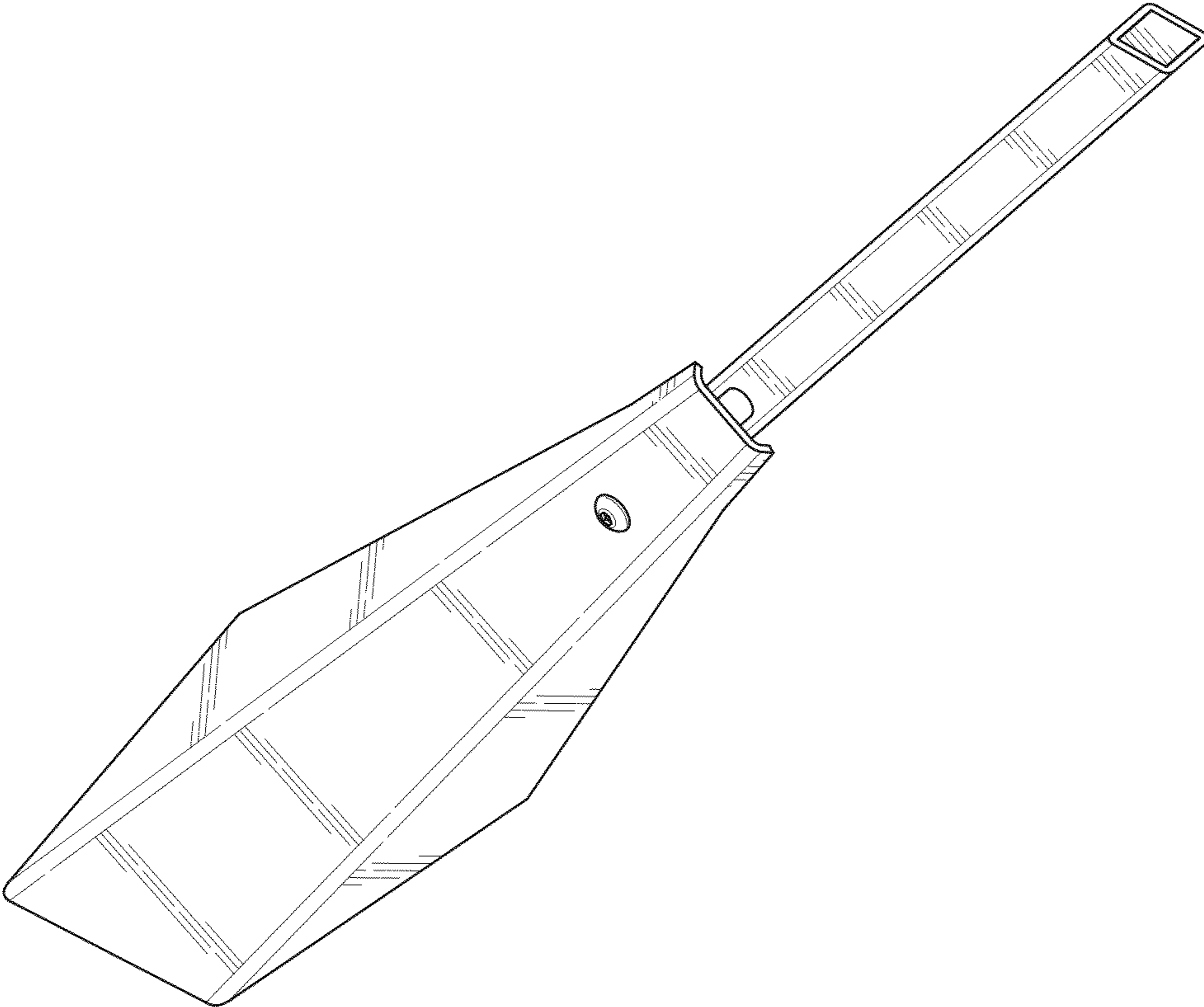


FIG. 4

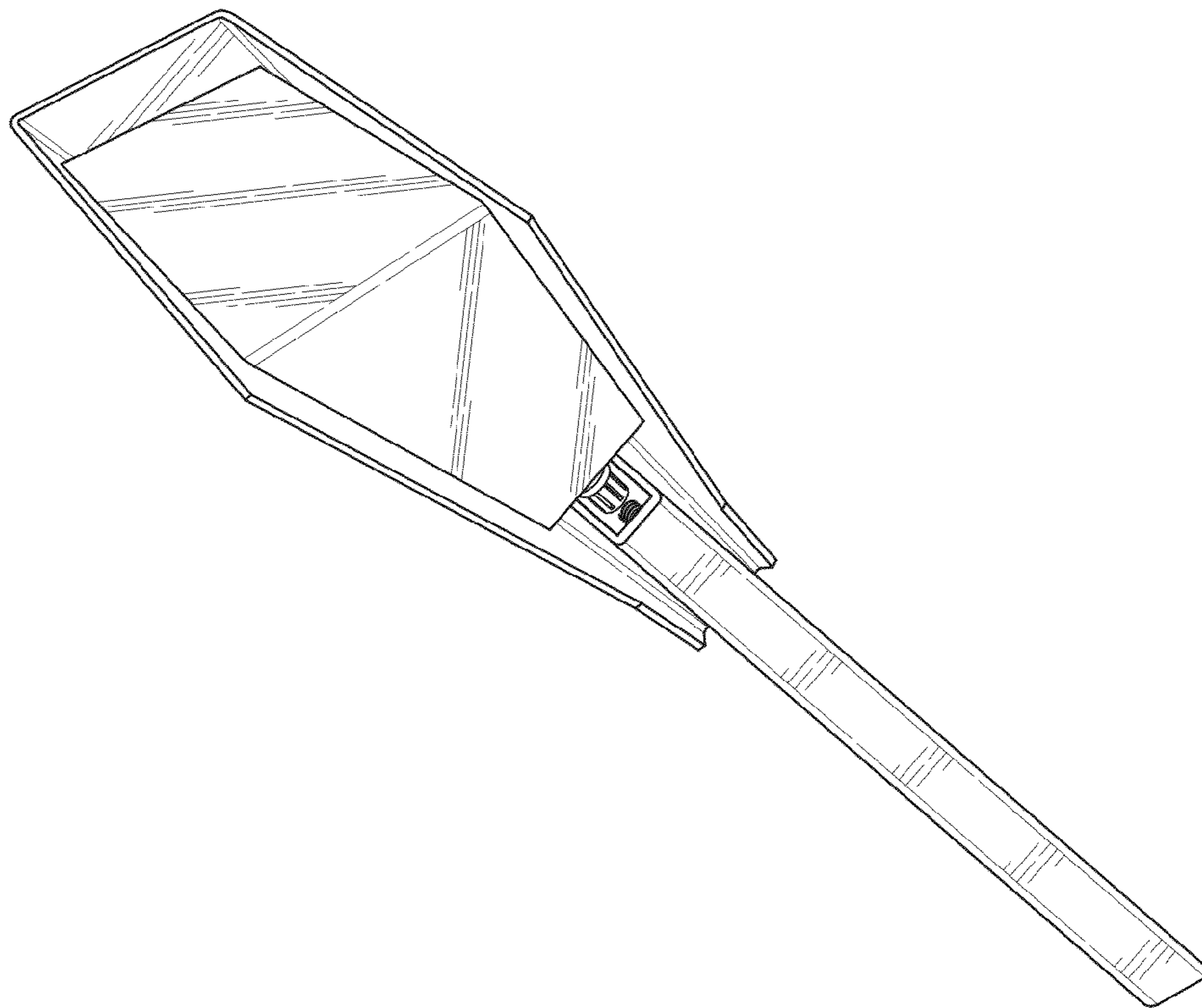


FIG. 5

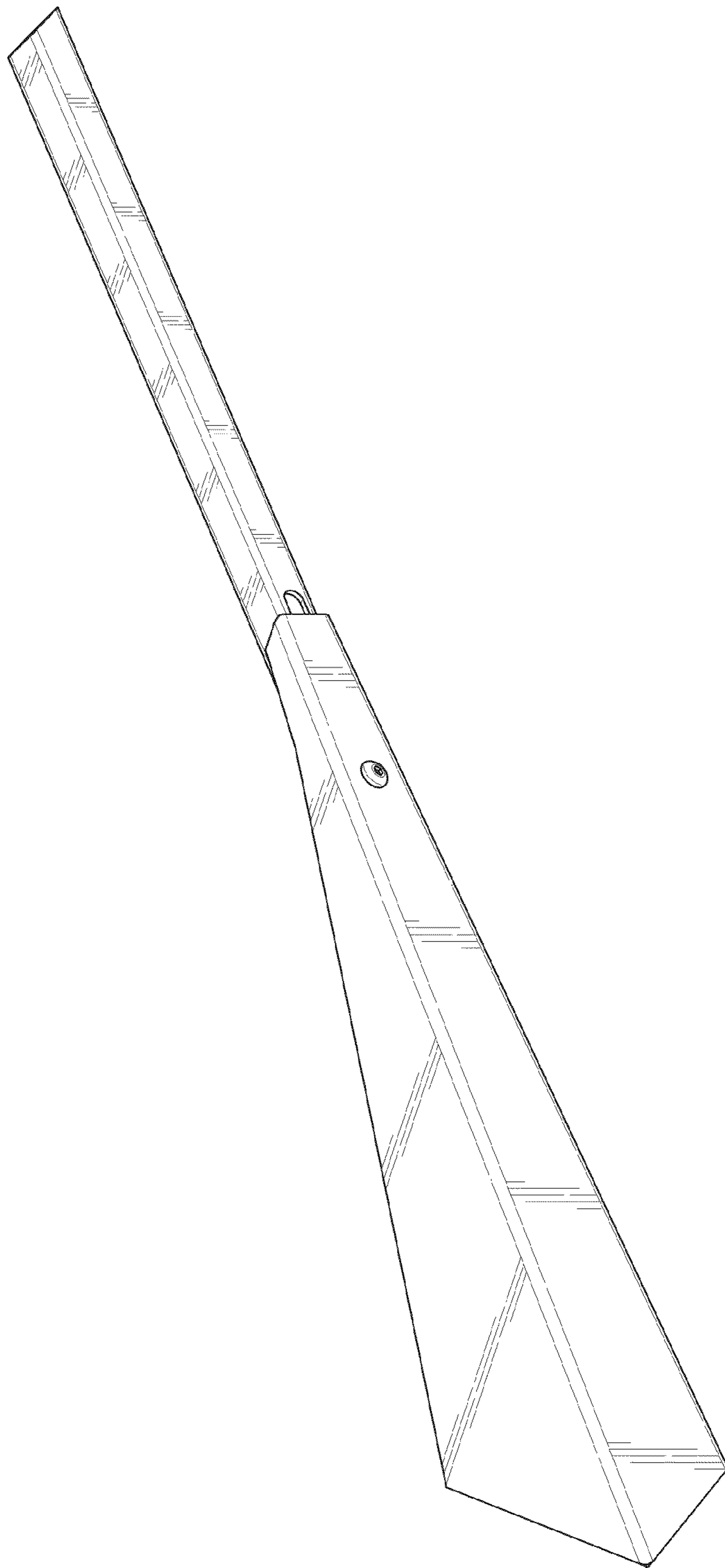


FIG. 6

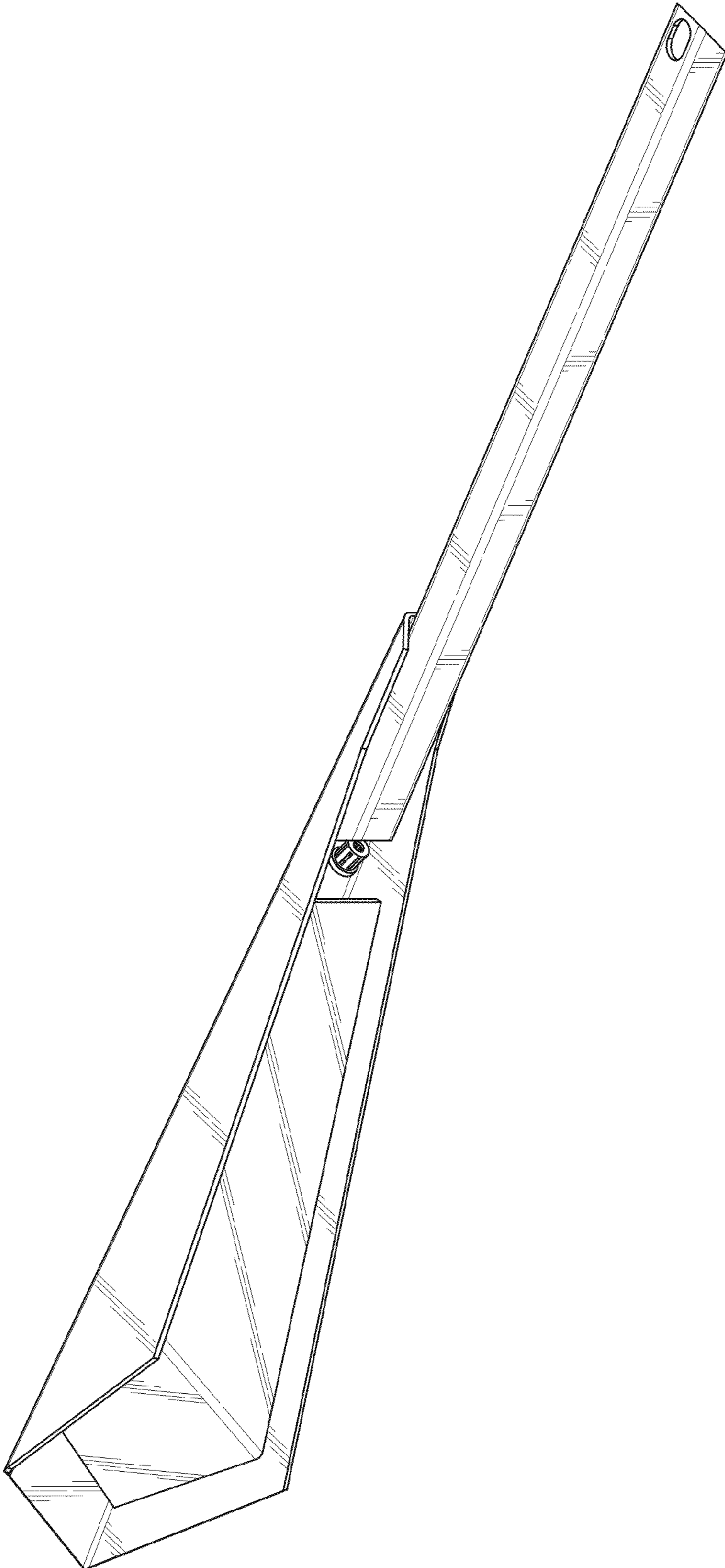


FIG. 7