



US00D757319S

(12) **United States Design Patent**
Green

(10) **Patent No.:** **US D757,319 S**

(45) **Date of Patent:** **** May 24, 2016**

(54) **FLASHLIGHT**

(71) Applicant: **Homer TLC, Inc.**, Wilmington, DE
(US)

(72) Inventor: **Adam Green**, Atlanta, GA (US)

(73) Assignee: **Home Depot Product Authority, LLC**,
Atlanta, GA (US)

(**) Term: **14 Years**

(21) Appl. No.: **29/500,257**

(22) Filed: **Aug. 22, 2014**

(51) **LOC (10) Cl.** **26-02**

(52) **U.S. Cl.**
USPC **D26/49**

(58) **Field of Classification Search**

USPC D26/37-51, 56-60, 67; 362/103-105,
362/184, 194-196, 202-206; D22/117
CPC F21L 4/00; F21L 4/005; F21L 4/022;
F21L 4/025; F21L 4/027; F21L 7/00; F21L
19/00; F21V 21/084; F21V 21/0085; F21W
2111/10

See application file for complete search history.

(56) **References Cited**

U.S. PATENT DOCUMENTS

D565,769 S *	4/2008	Shiu	D26/49
D604,437 S *	11/2009	Yang	D26/49
D608,033 S *	1/2010	Hesse	D26/37
D608,034 S *	1/2010	Hesse	D26/37
D640,400 S *	6/2011	Huang	D26/42
D656,261 S *	3/2012	Lee	D26/49
D659,270 S *	5/2012	Nguyen	D26/49
D659,272 S *	5/2012	Nguyen	D26/49
D671,249 S *	11/2012	Sheikh	D26/38
D710,526 S *	8/2014	Lee	D26/49

* cited by examiner

OTHER PUBLICATIONS

Images of Rayovac Indestructible 2 AA Flashlight, DIY2AA-B, publicly available prior to Aug. 22, 2014.

Primary Examiner — Sandra Morris

(74) *Attorney, Agent, or Firm* — Greenberg Traurig, LLP

(57) **CLAIM**

The ornamental design for a flashlight, as shown and described.

DESCRIPTION

FIG. 1 is a perspective view of a first embodiment of my flashlight;

FIG. 2 is a front view thereof;

FIG. 3 is a back view thereof;

FIG. 4 is a right side view thereof;

FIG. 5 is a left side view thereof;

FIG. 6 is a top view thereof;

FIG. 7 is a bottom view thereof;

FIG. 8 is a perspective view of a second embodiment of my flashlight;

FIG. 9 is a front view thereof;

FIG. 10 is a back view thereof;

FIG. 11 is a right side view thereof;

FIG. 12 is a left side view thereof;

FIG. 13 is a top view thereof;

FIG. 14 is a bottom view thereof;

FIG. 15 is a perspective view of a third embodiment of my flashlight;

FIG. 16 is a front view thereof;

FIG. 17 is a back view thereof;

FIG. 18 is a right side view thereof;

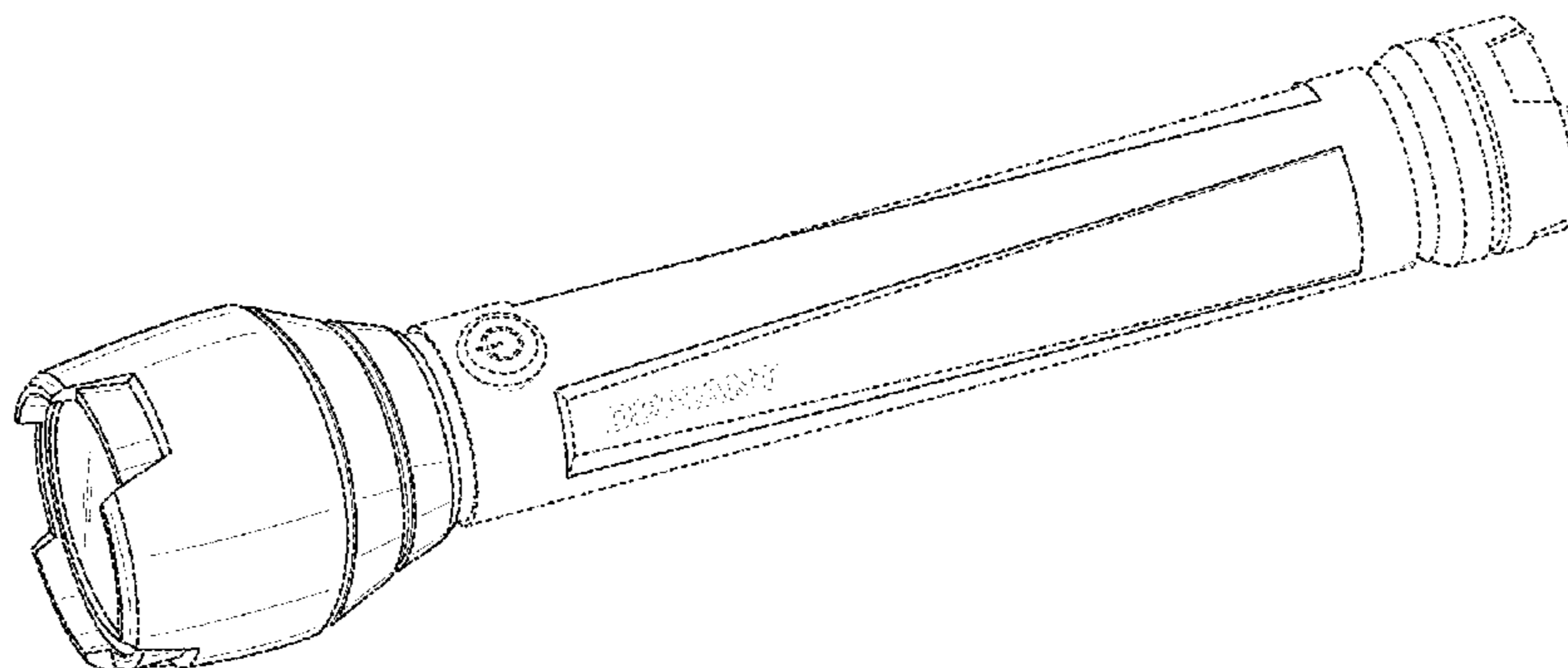
FIG. 19 is a left side view thereof;

FIG. 20 is a top view thereof; and,

FIG. 21 is a bottom view thereof.

The oblique lines on the lenses of my designs (as visible in FIGS. 1, 6, 8, 13, 15, and 20) indicate that they are at least translucent and may be transparent. The dashed lines in the figures form no part of the claimed design. All other surface (s) or portion(s) of my designs not shown in the figures or otherwise described in the specification, such as the locations behind the lenses, form no part of the claimed design.

1 Claim, 12 Drawing Sheets



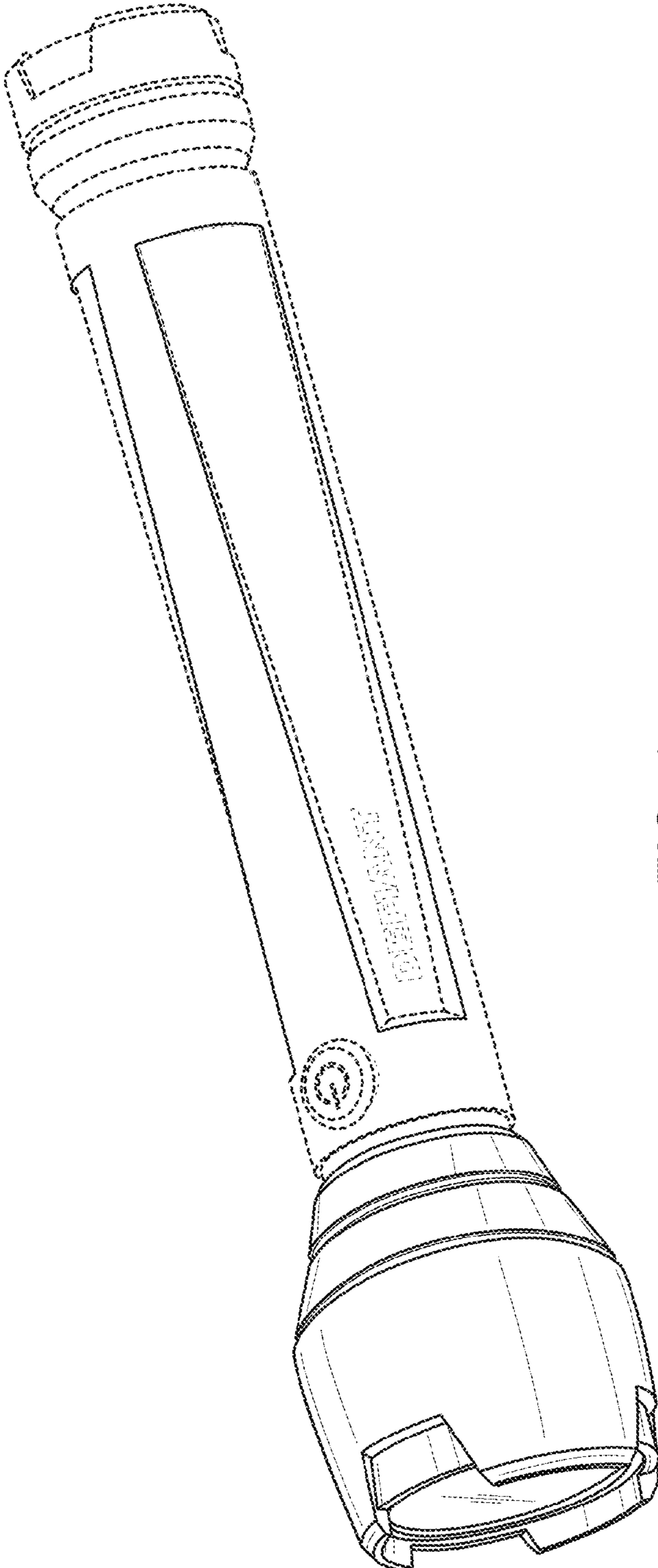


FIG. 1

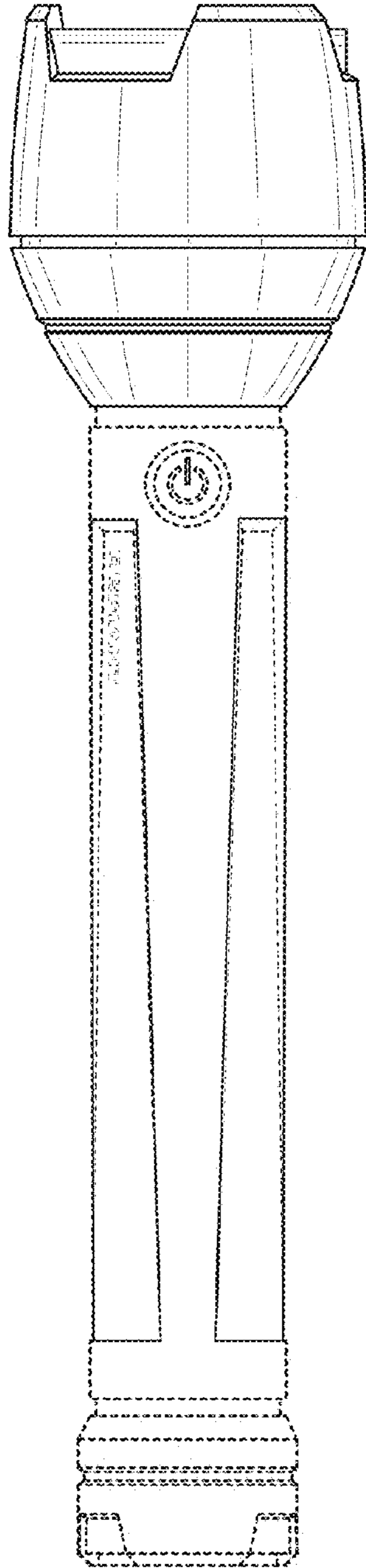


FIG. 2

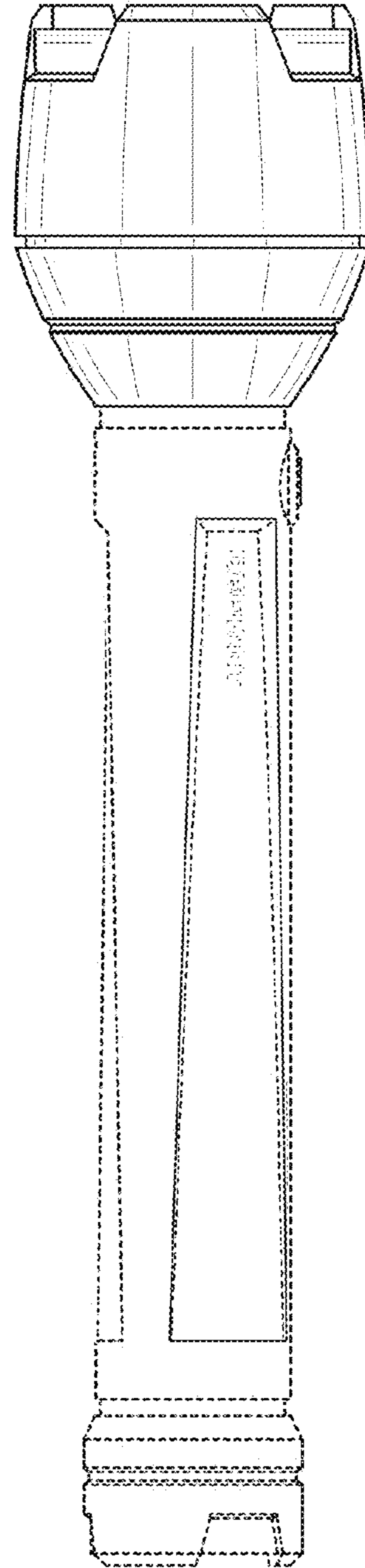


FIG. 3

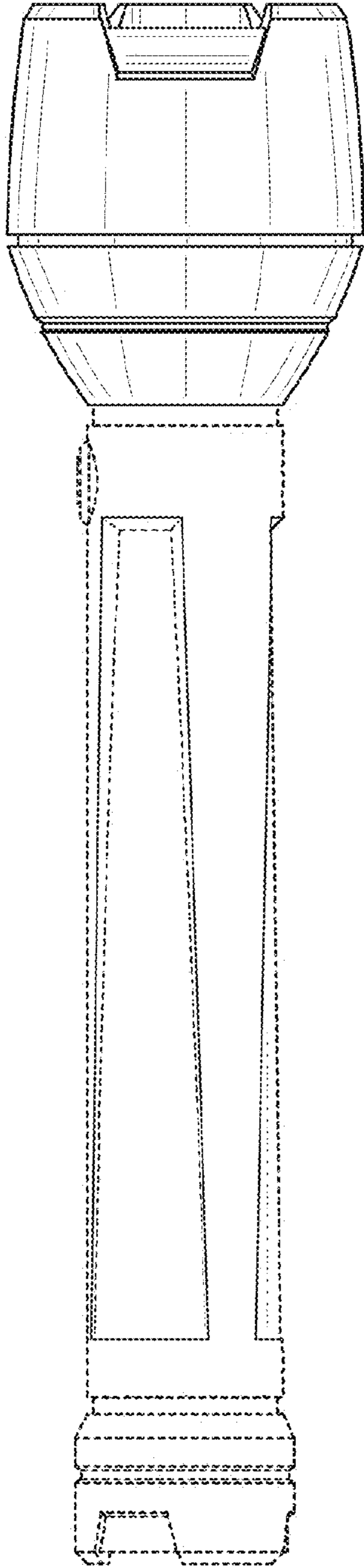


FIG. 4

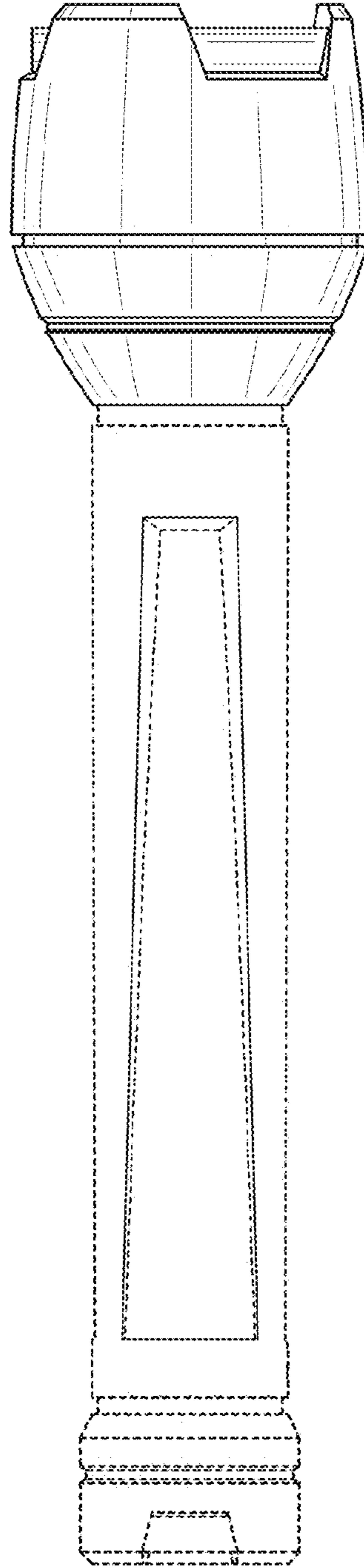


FIG. 5

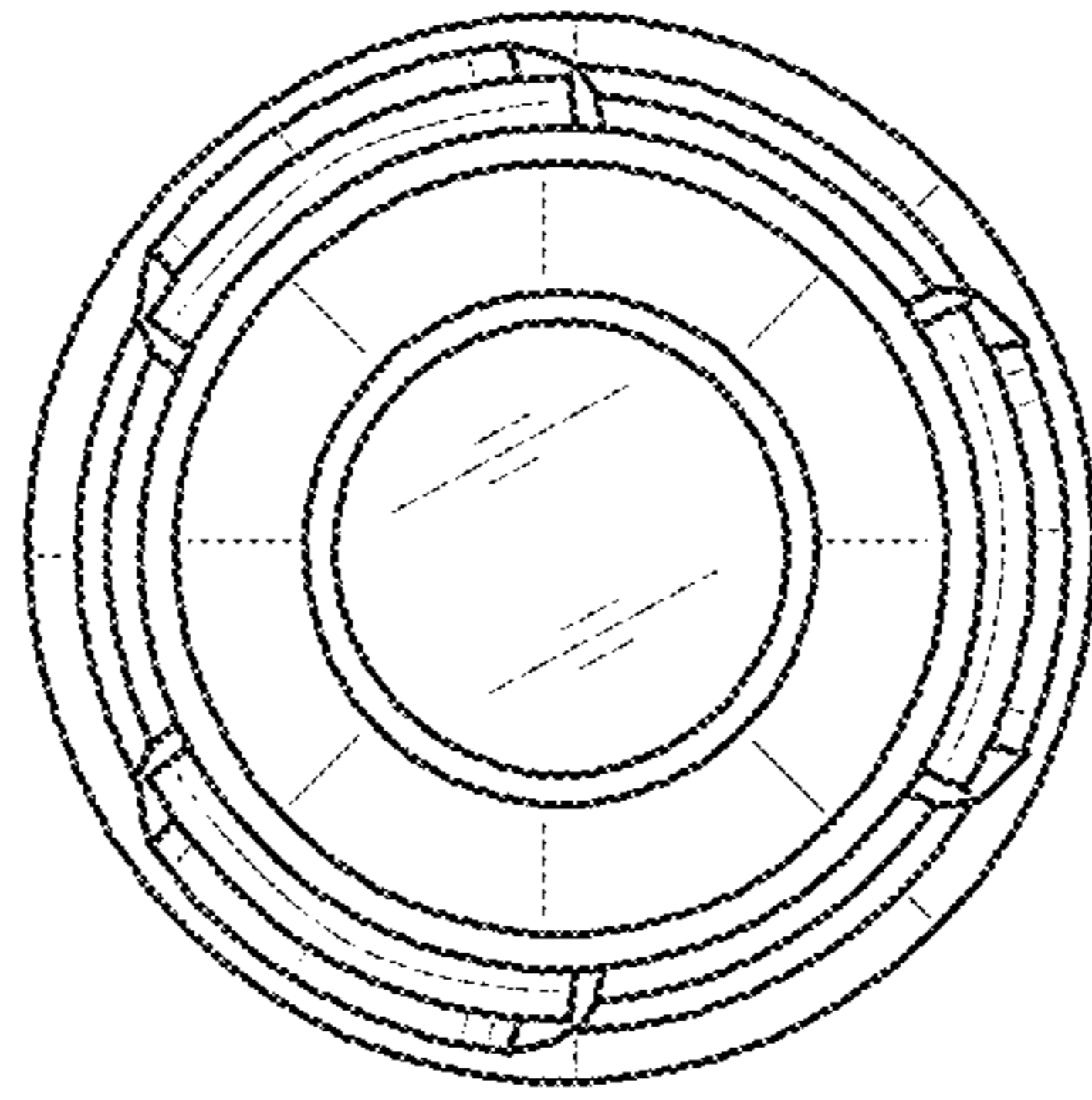


FIG. 6

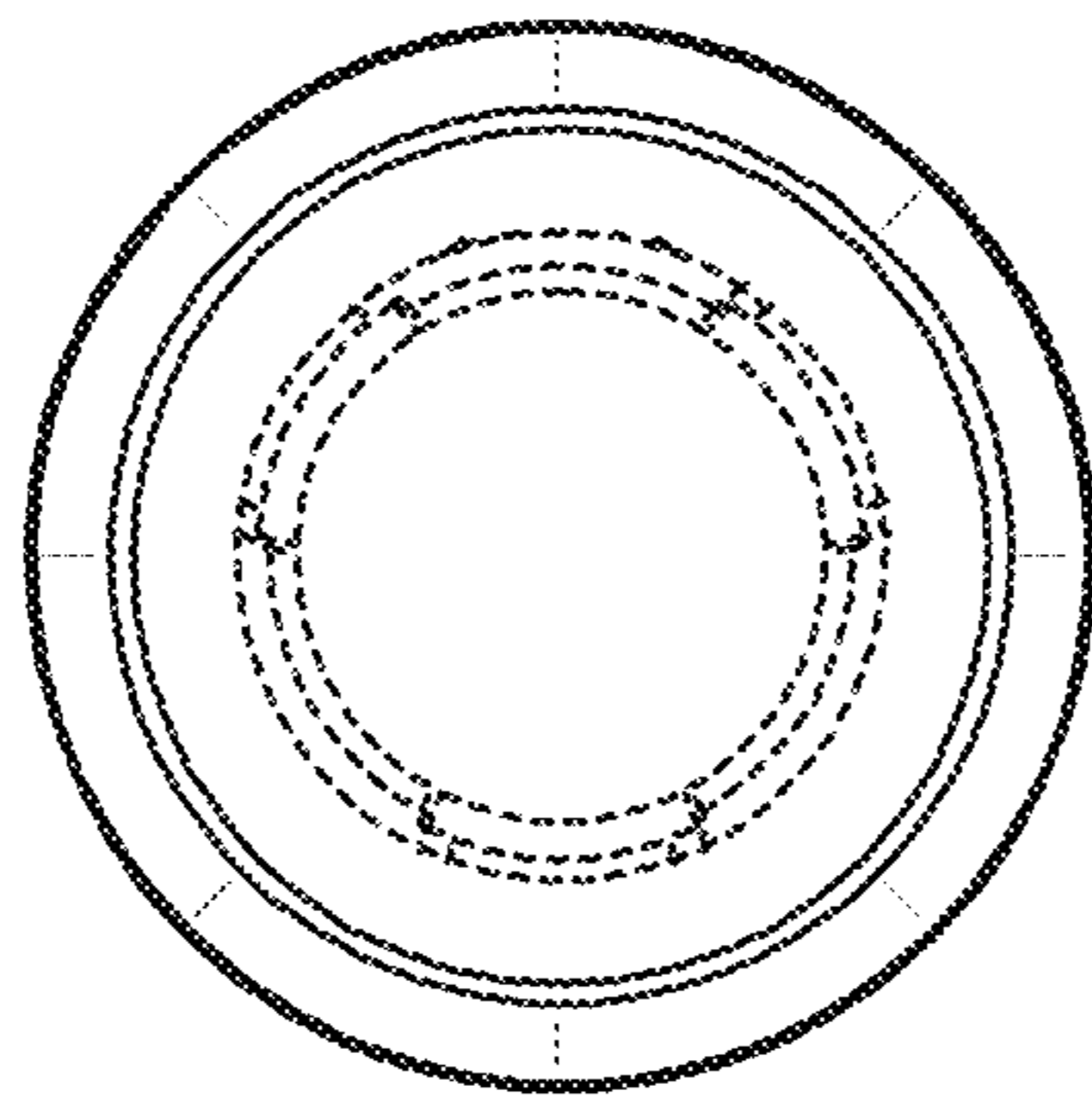


FIG. 7

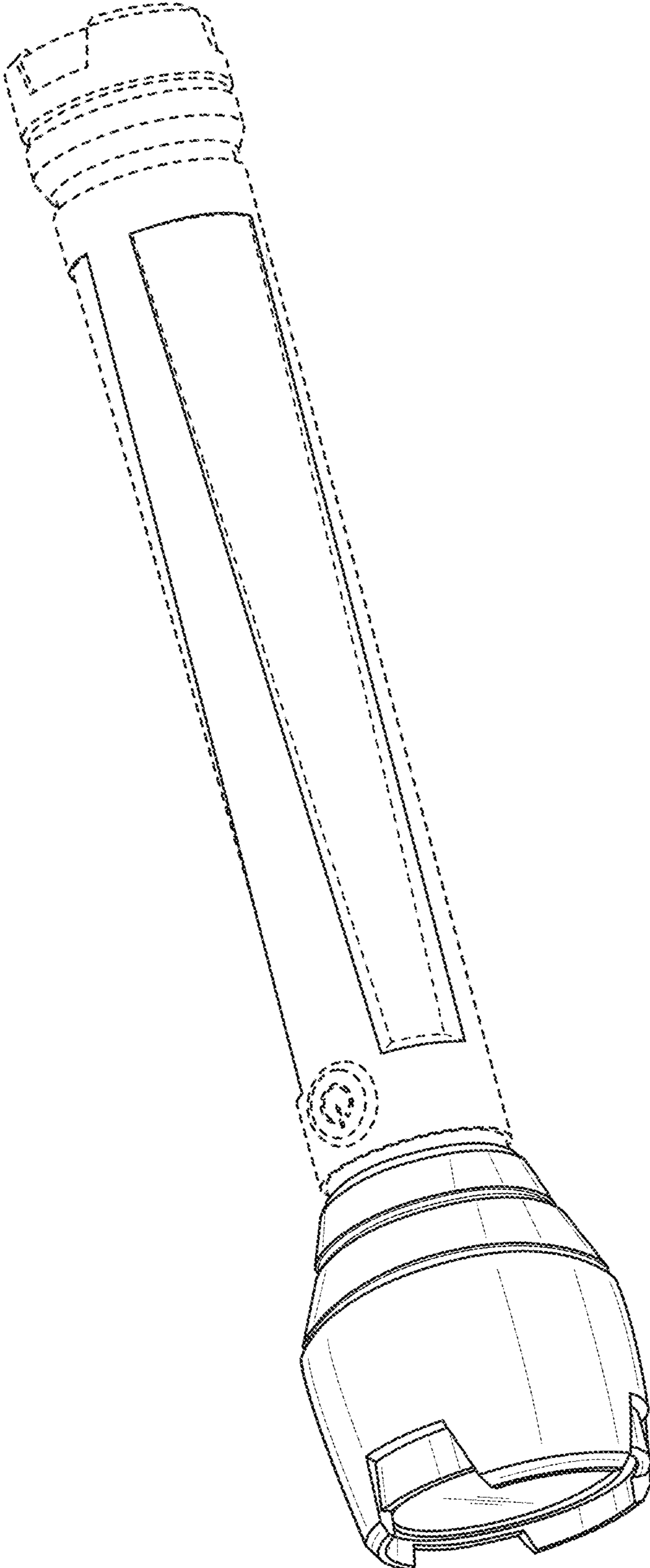


FIG. 8

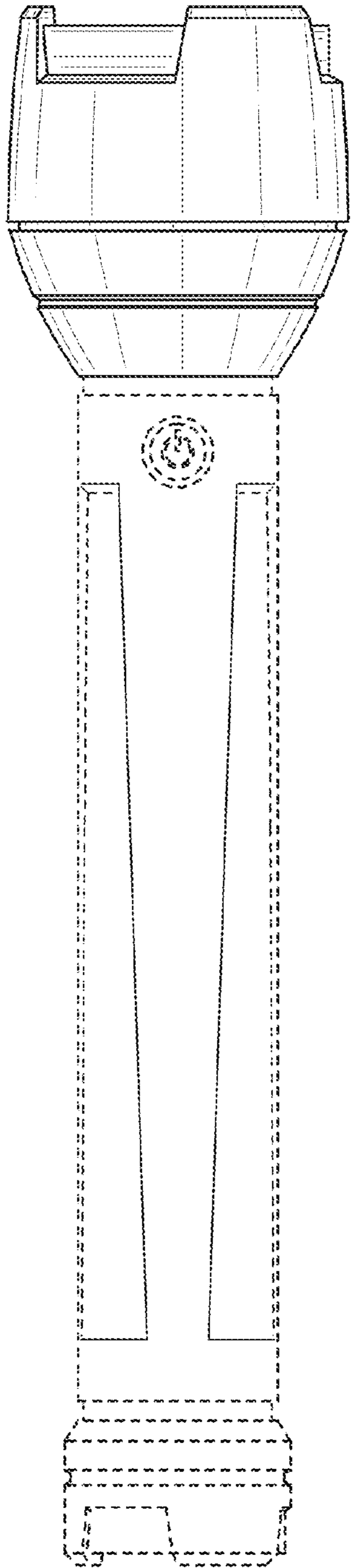


FIG. 9

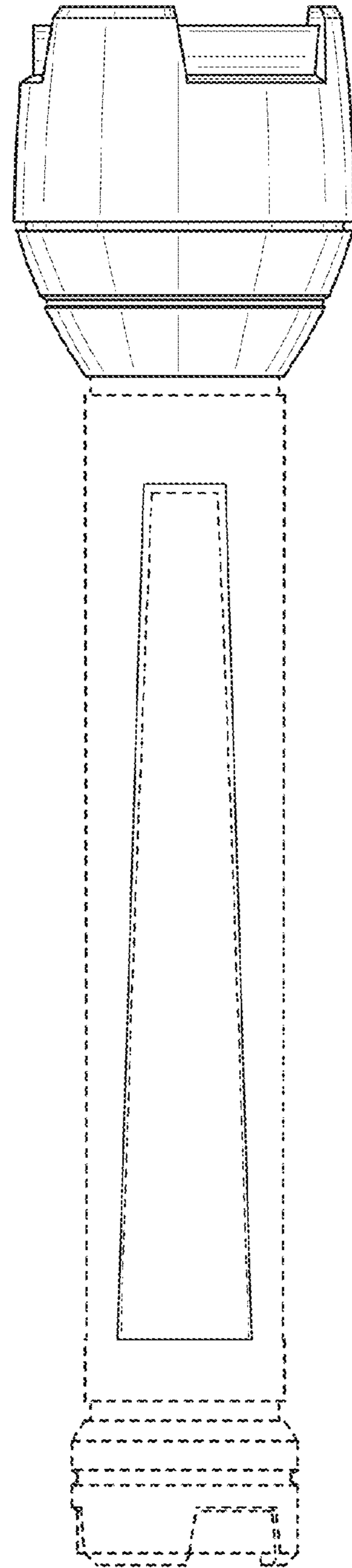


FIG. 10

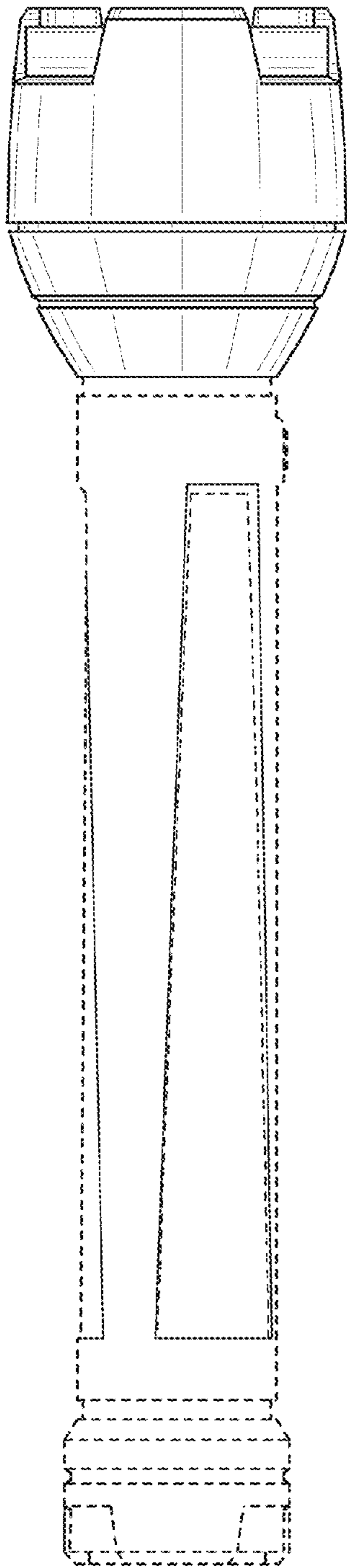


FIG. 11

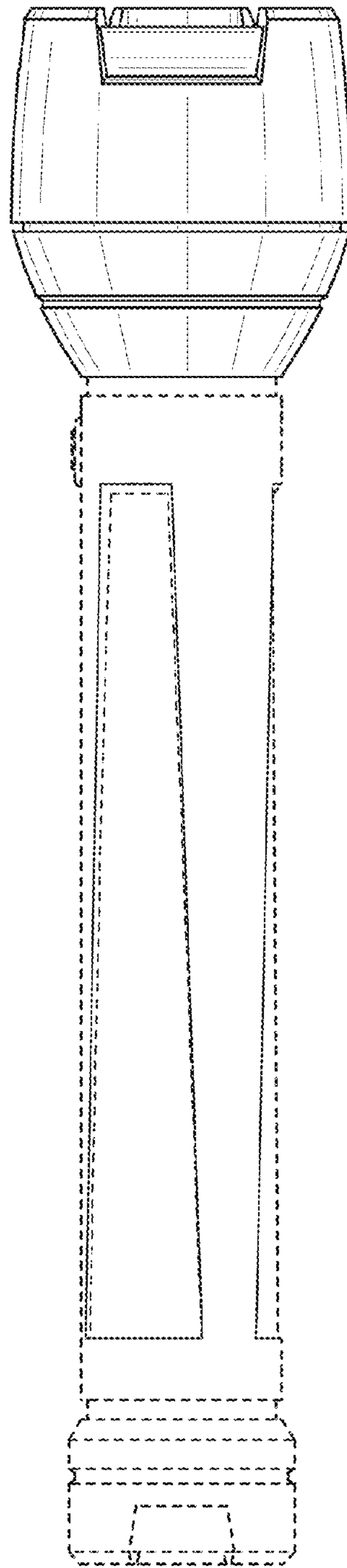


FIG. 12

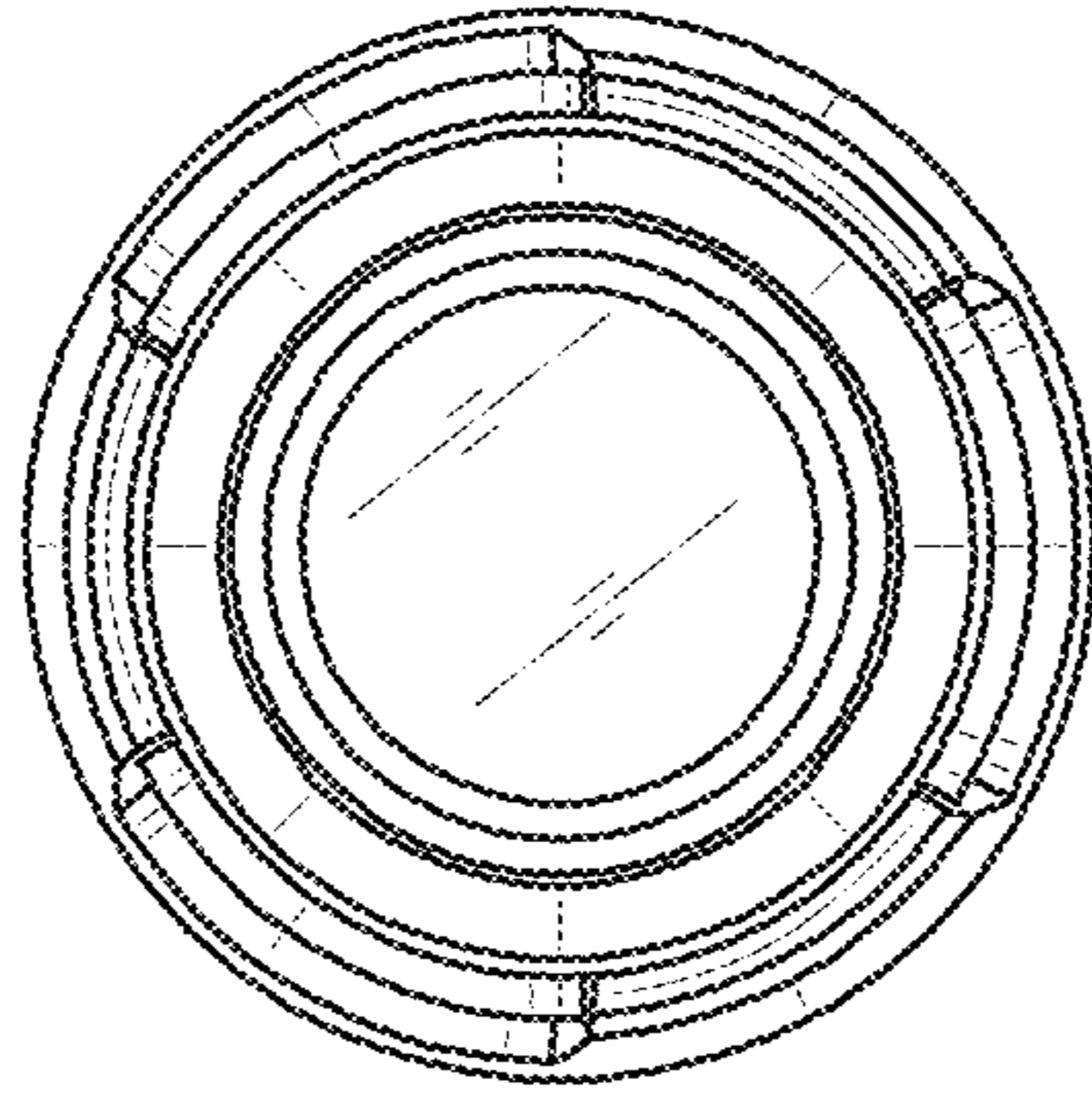


FIG. 13

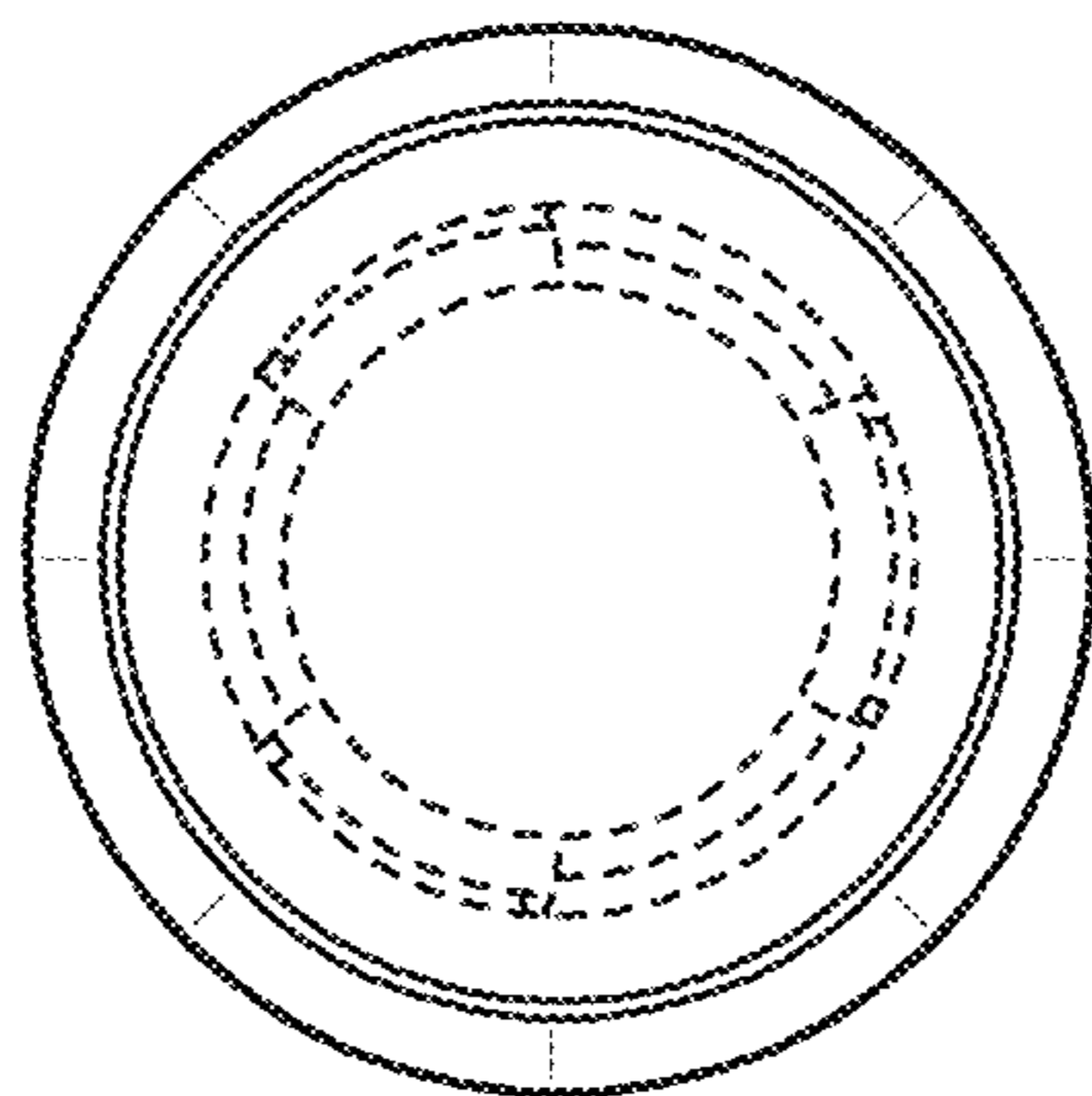


FIG. 14

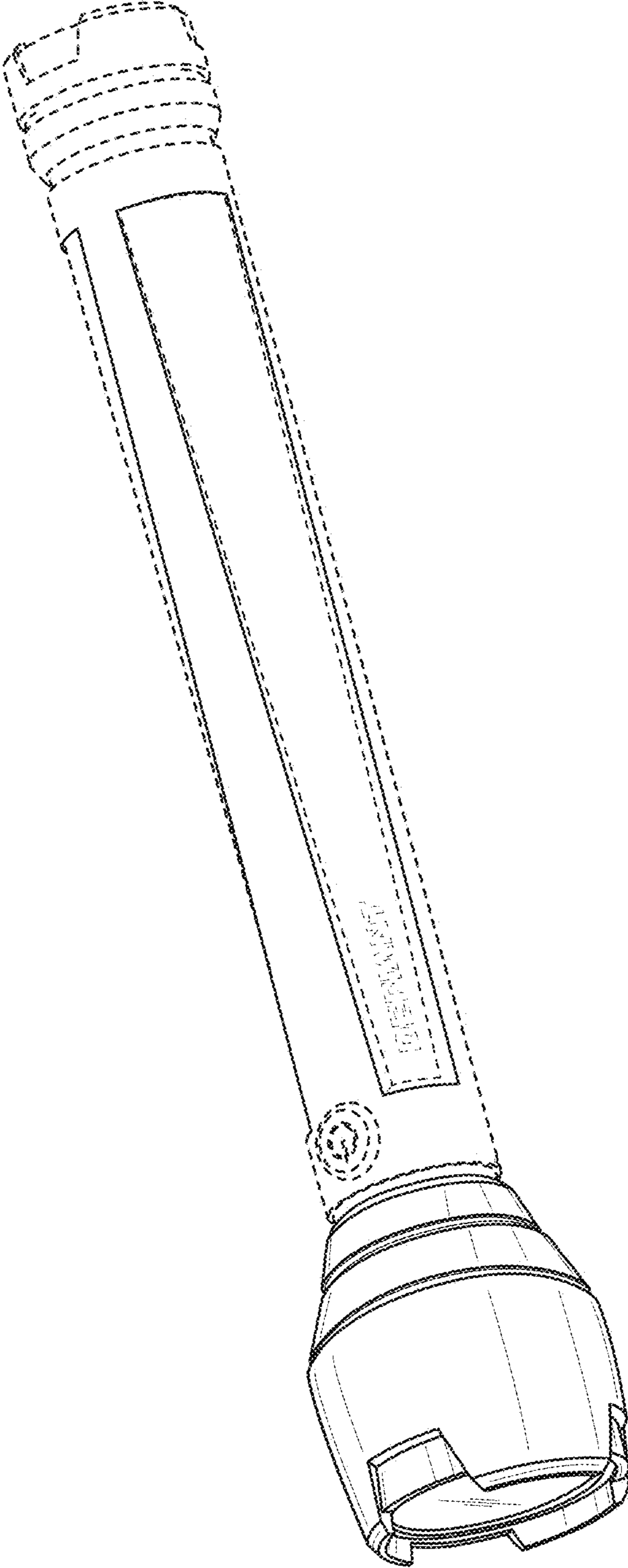


FIG. 15

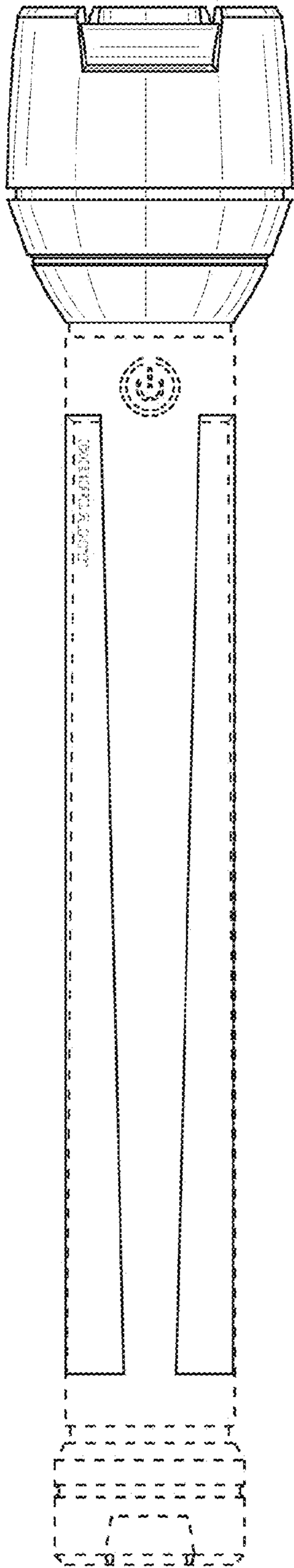


FIG. 16

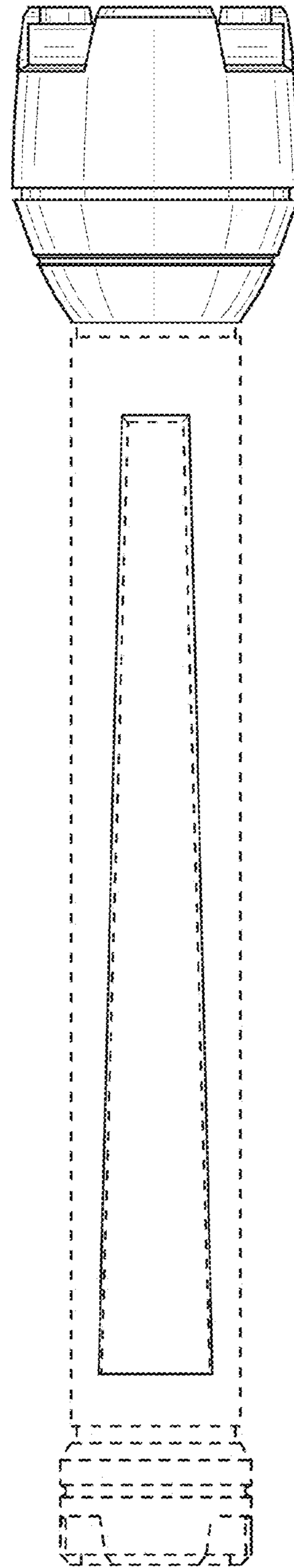


FIG. 17

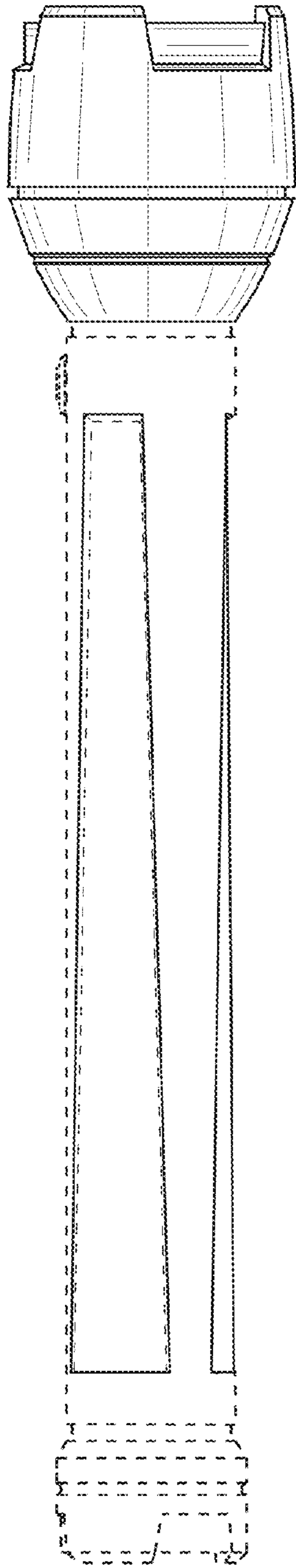


FIG. 18

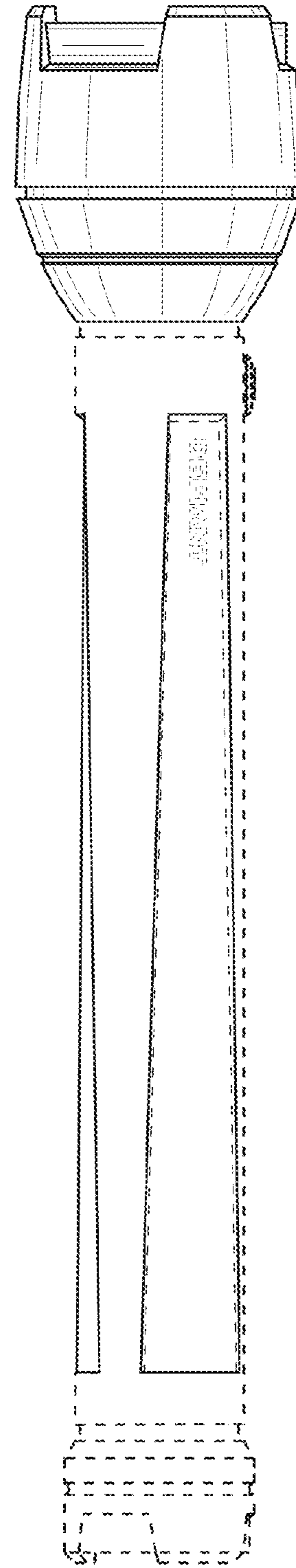


FIG. 19

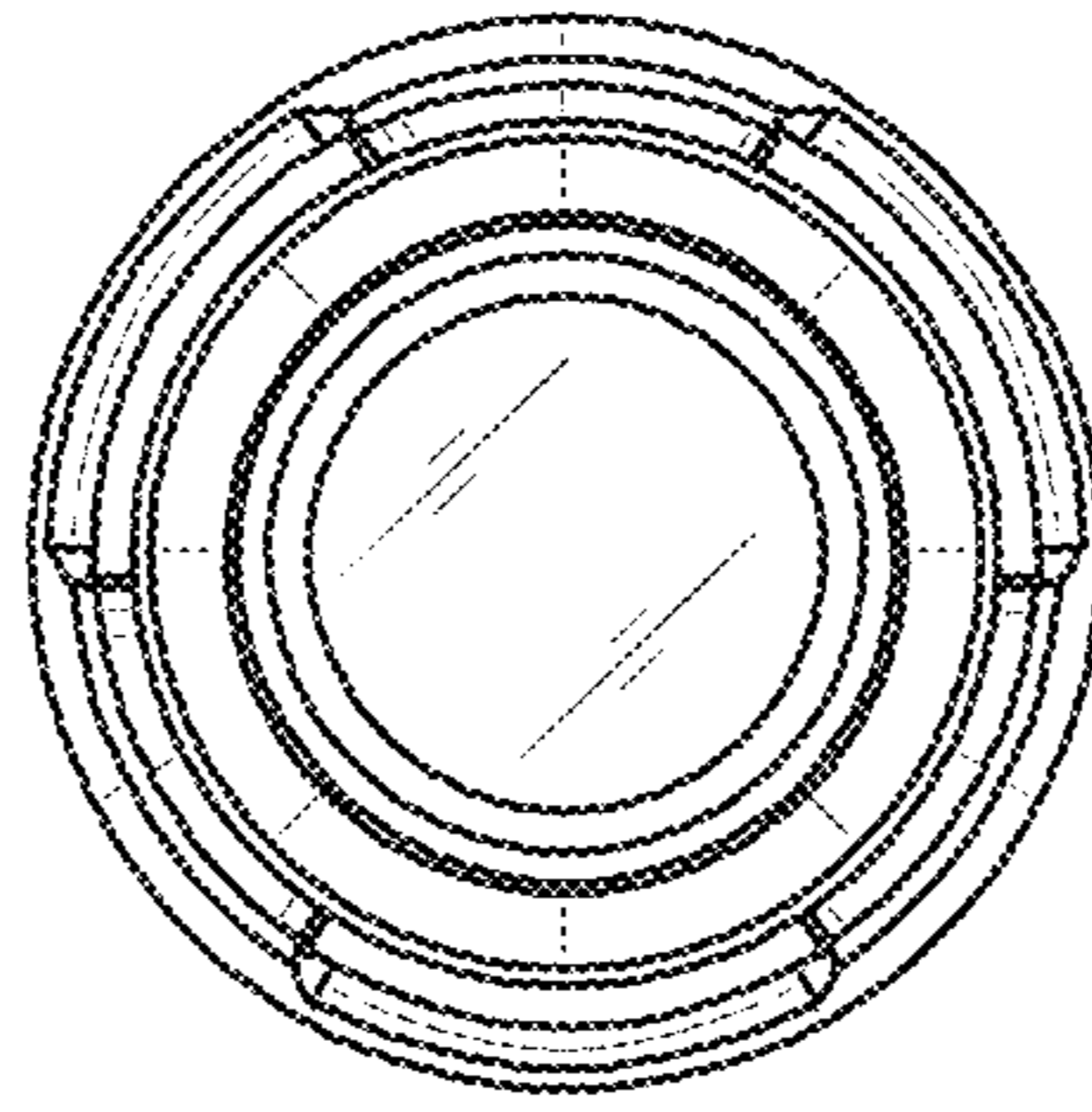


FIG. 20

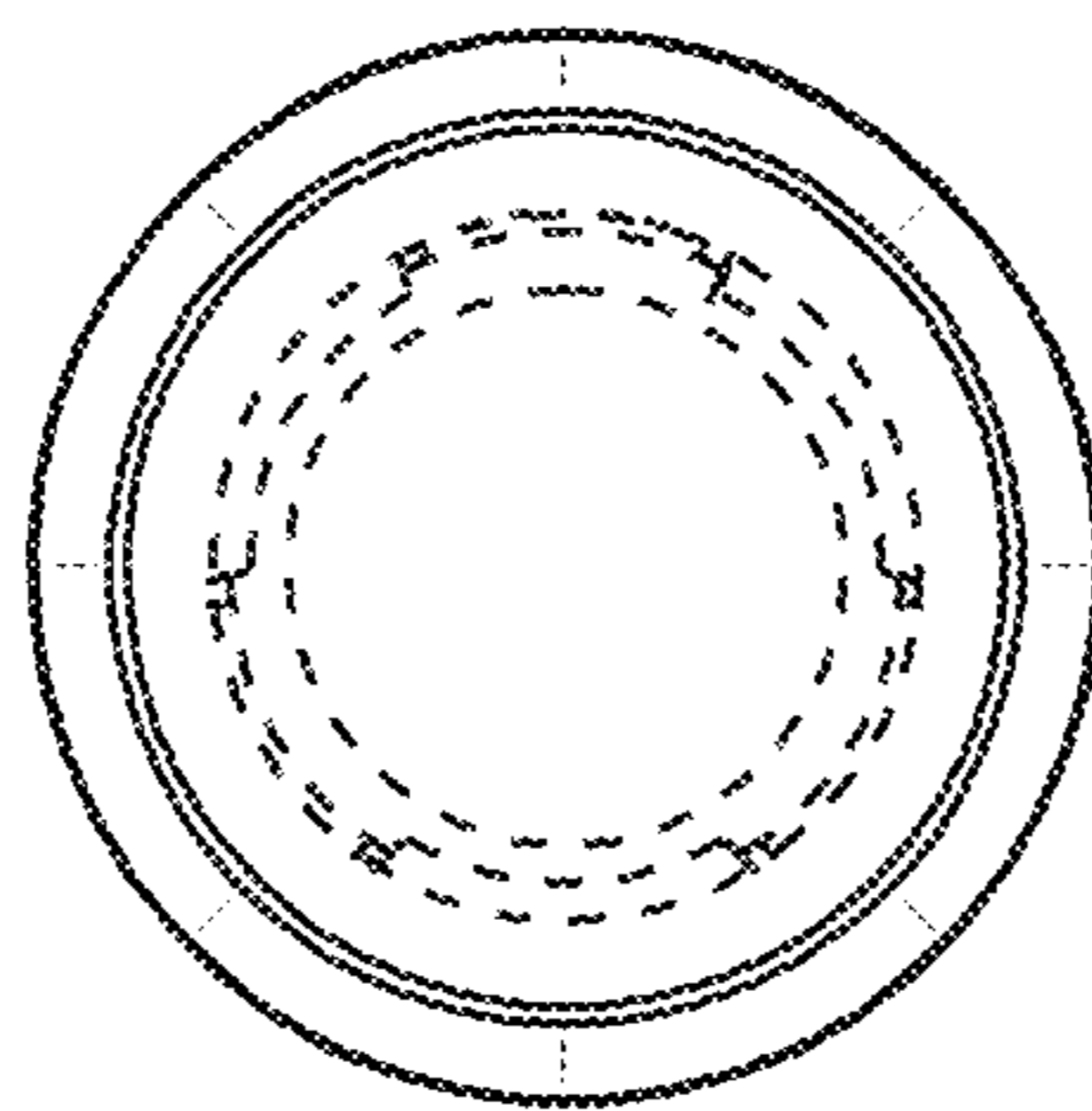


FIG. 21