



US00D757318S

(12) **United States Design Patent**  
**Evans**

(10) **Patent No.:** **US D757,318 S**

(45) **Date of Patent:** **\*\* May 24, 2016**

(54) **LIGHT**

(71) Applicant: **Justin Eugene Evans**, New Berlin, WI  
(US)

(72) Inventor: **Justin Eugene Evans**, New Berlin, WI  
(US)

(73) Assignee: **BryteWerks, LLC**, New Berlin, WI  
(US)

(\*\*) Term: **14 Years**

(21) Appl. No.: **29/485,421**

(22) Filed: **Mar. 19, 2014**

(51) **LOC (10) Cl.** ..... **26-02**

(52) **U.S. Cl.**  
USPC ..... **D26/46**

(58) **Field of Classification Search**  
USPC ..... D26/37, 38, 40, 45, 46, 49, 51;  
362/157, 158, 184, 183, 194-196,  
362/200-208, 253  
CPC ..... F21V 33/00; F21V 14/025; F21V 21/406;  
F21Y 2101/02; F21L 17/00; F21L 13/08  
See application file for complete search history.

(56) **References Cited**

**U.S. PATENT DOCUMENTS**

D417,019 S \* 11/1999 Rachwal et al. .... D26/37  
D466,636 S \* 12/2002 Chun ..... D26/37

D475,149 S \* 5/2003 Chun ..... D26/37  
D476,102 S \* 6/2003 Ciavolino ..... D26/37  
D477,432 S \* 7/2003 Parsons ..... D26/37  
D596,771 S \* 7/2009 Lee ..... D26/46  
D631,586 S \* 1/2011 Li et al. .... D26/37  
D643,138 S \* 8/2011 Kawase et al. .... D26/37  
D656,648 S \* 3/2012 Tompkin ..... D26/46  
D682,449 S \* 5/2013 Scazziga ..... D26/37  
D699,378 S \* 2/2014 DiLuciano ..... D26/37  
D731,687 S \* 6/2015 Haws ..... D26/46

\* cited by examiner

*Primary Examiner* — Ian Simmons

*Assistant Examiner* — Carissa C Fitts

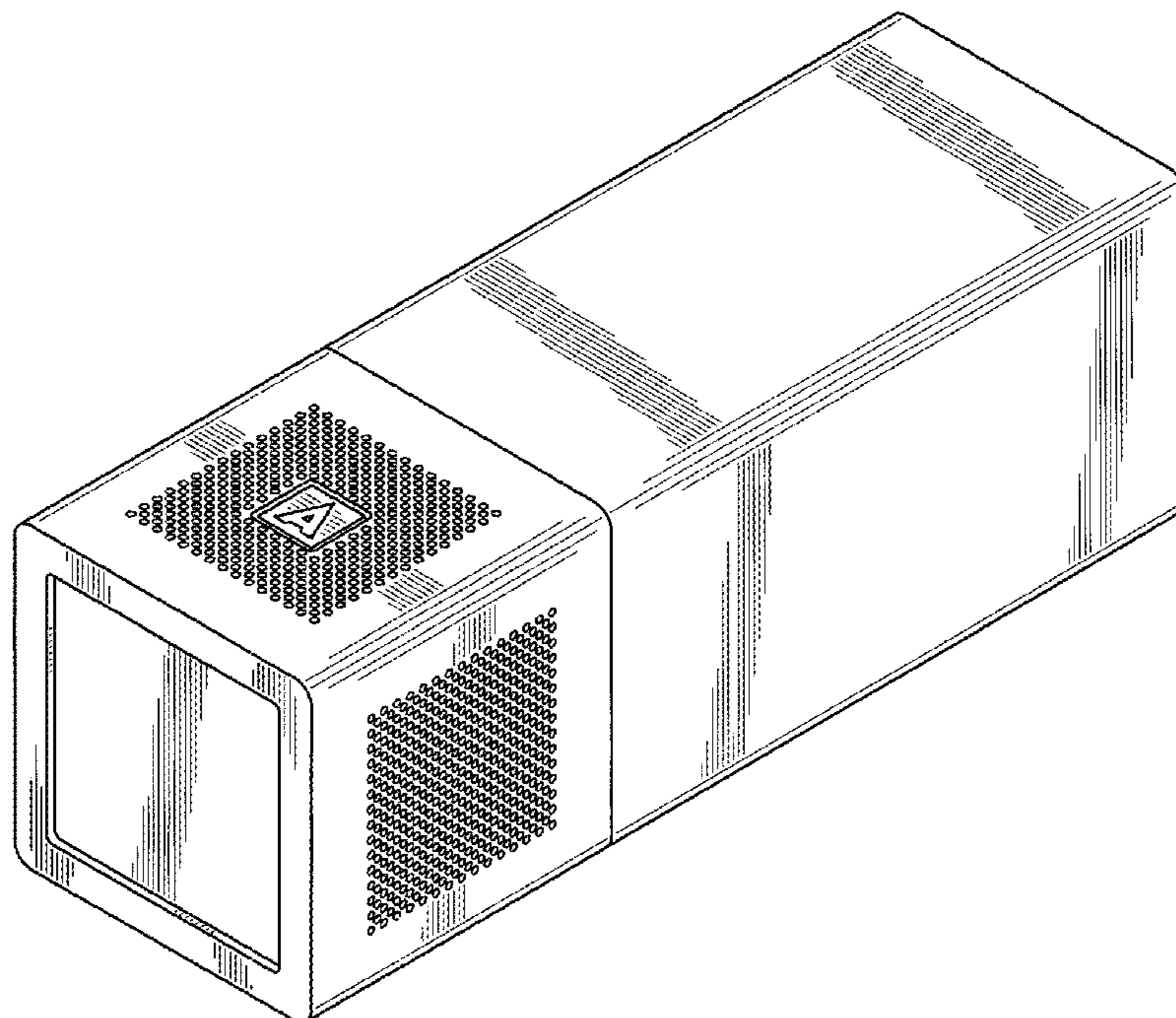
(57) **CLAIM**

I claim the ornamental design for a light, as shown and described.

**DESCRIPTION**

FIG. 1 is a perspective view of the top, front and left side of the professional light showing my new design;  
FIG. 2 is an elevation view of the left side thereof, the right side being a mirror image;  
FIG. 3 is a plan view of the top thereof;  
FIG. 4 is an elevation view of the front thereof;  
FIG. 5 is an elevation view of the back thereof; and,  
FIG. 6 is a plan view of the bottom thereof.  
The broken line showing represents portions of the article not claimed and forms no part of the claimed design.

**1 Claim, 6 Drawing Sheets**



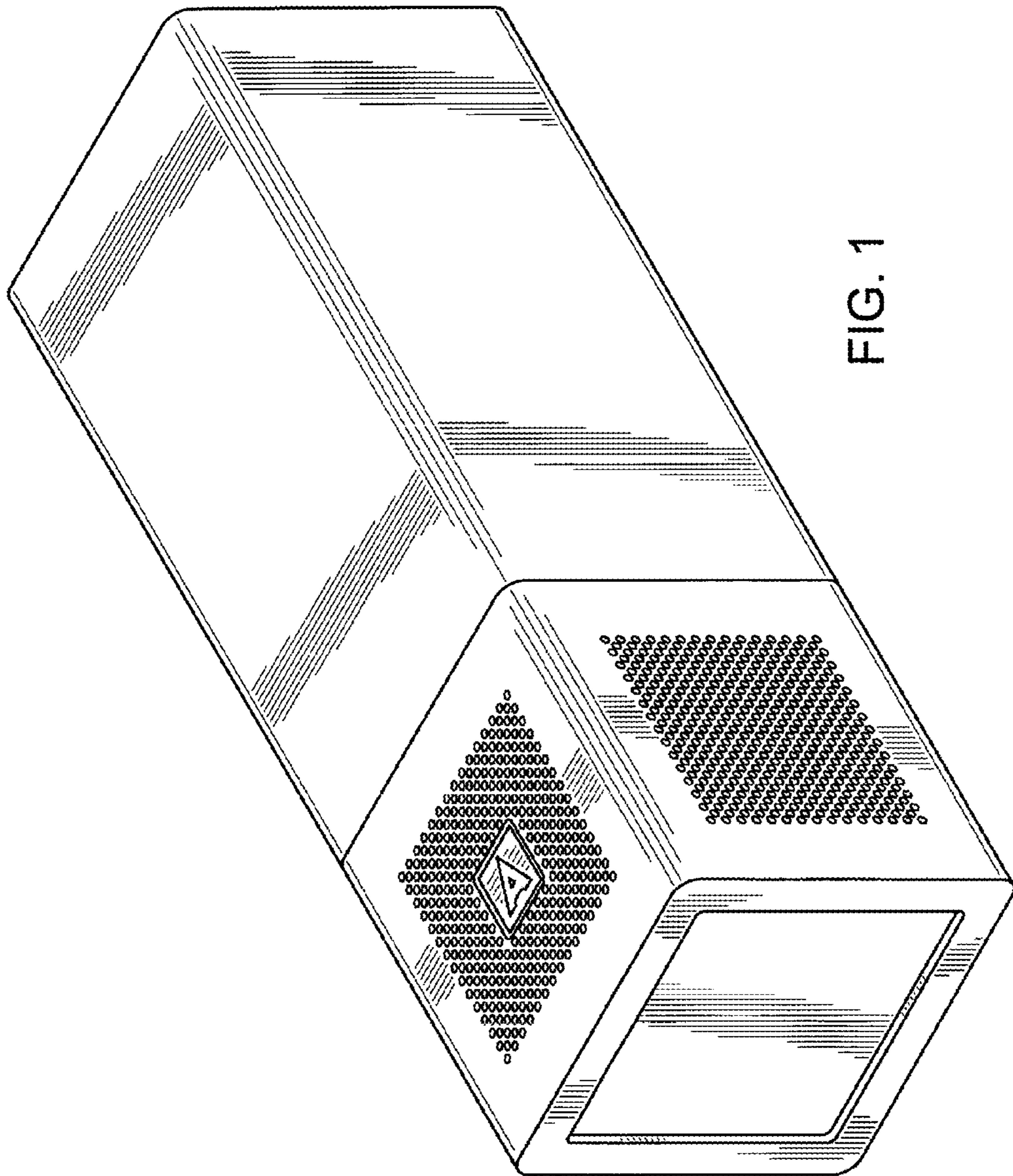


FIG. 1

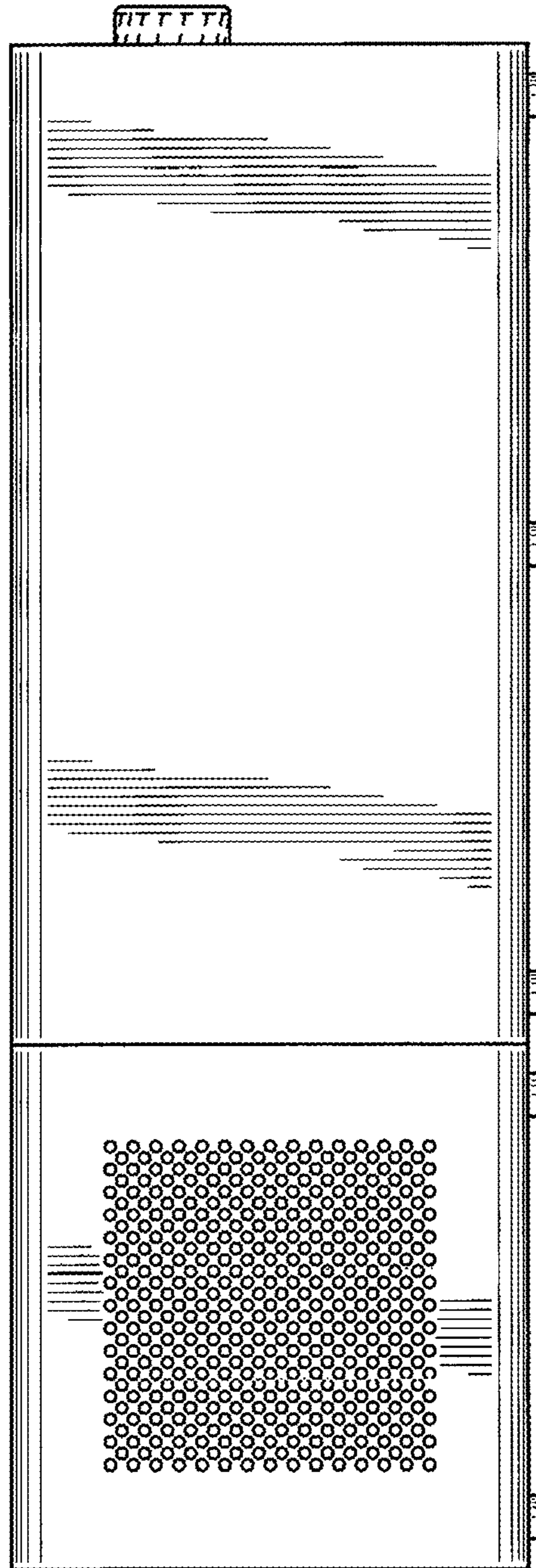


FIG. 2

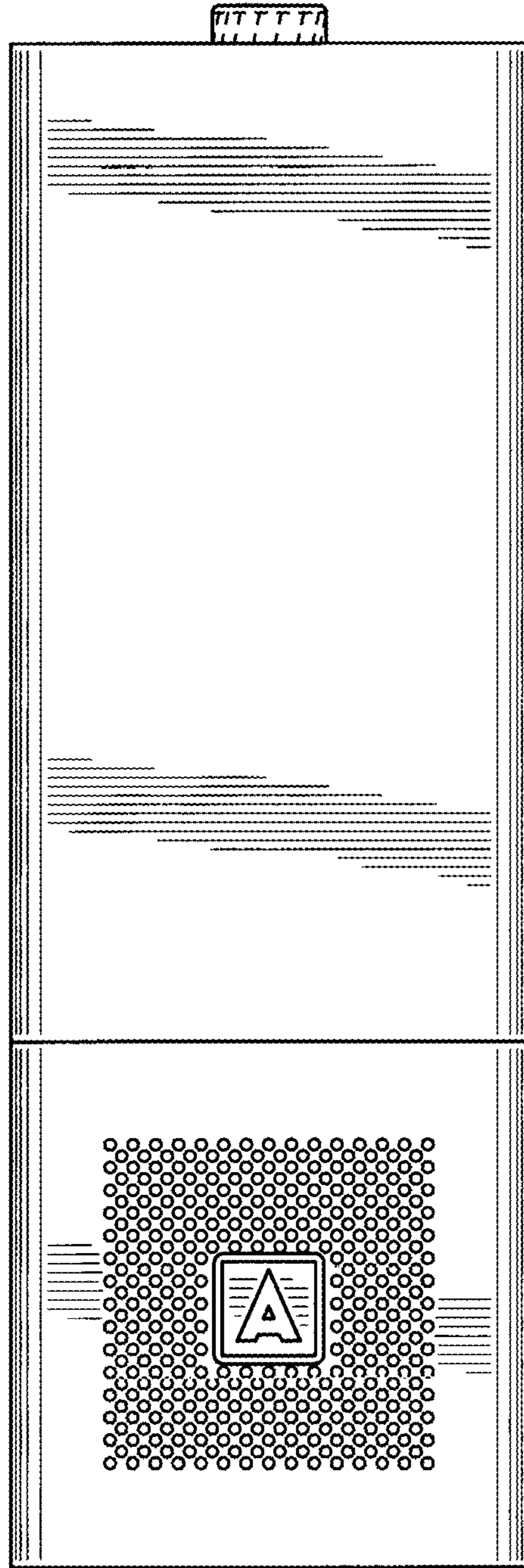


FIG. 3

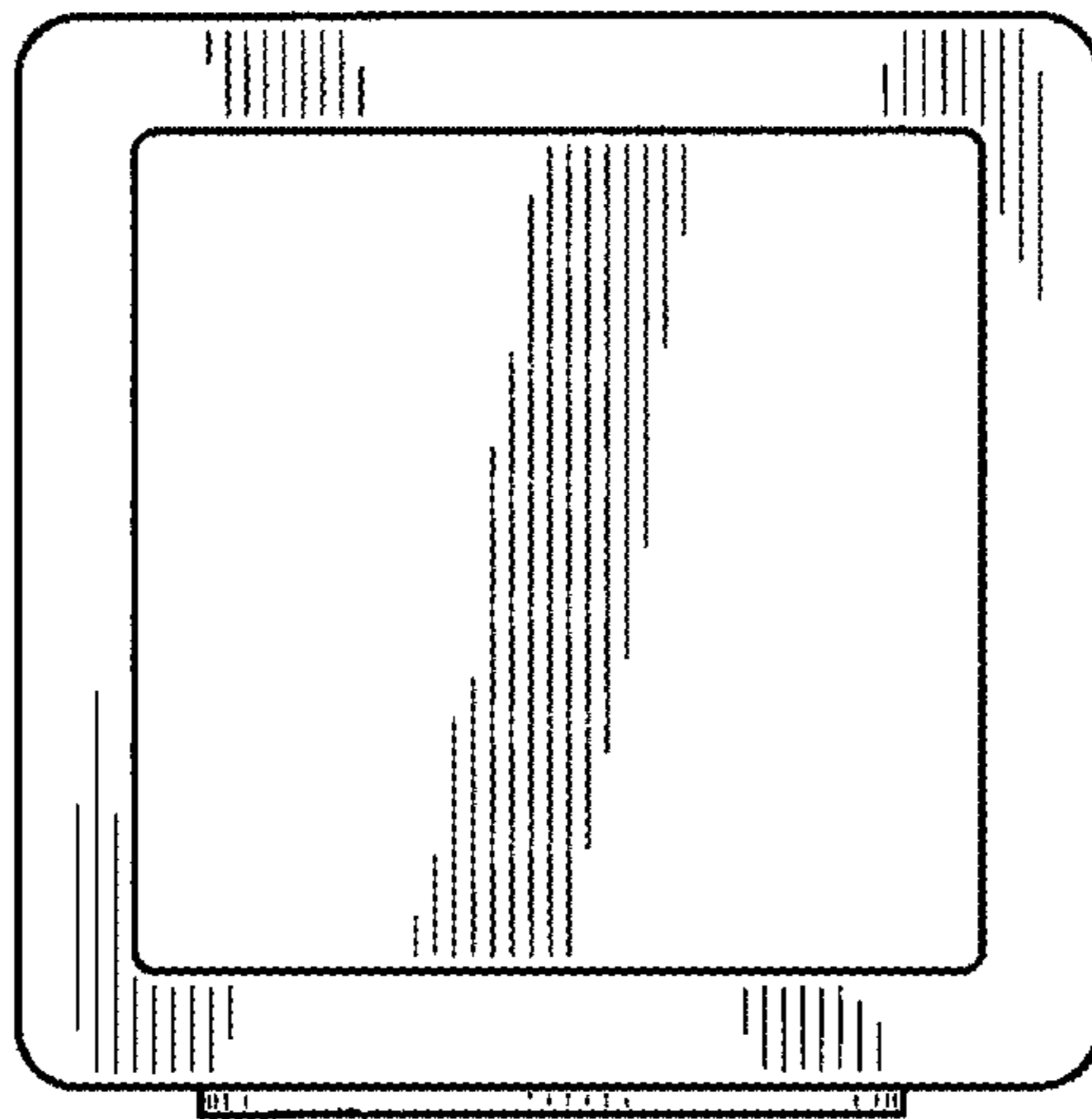


FIG. 4

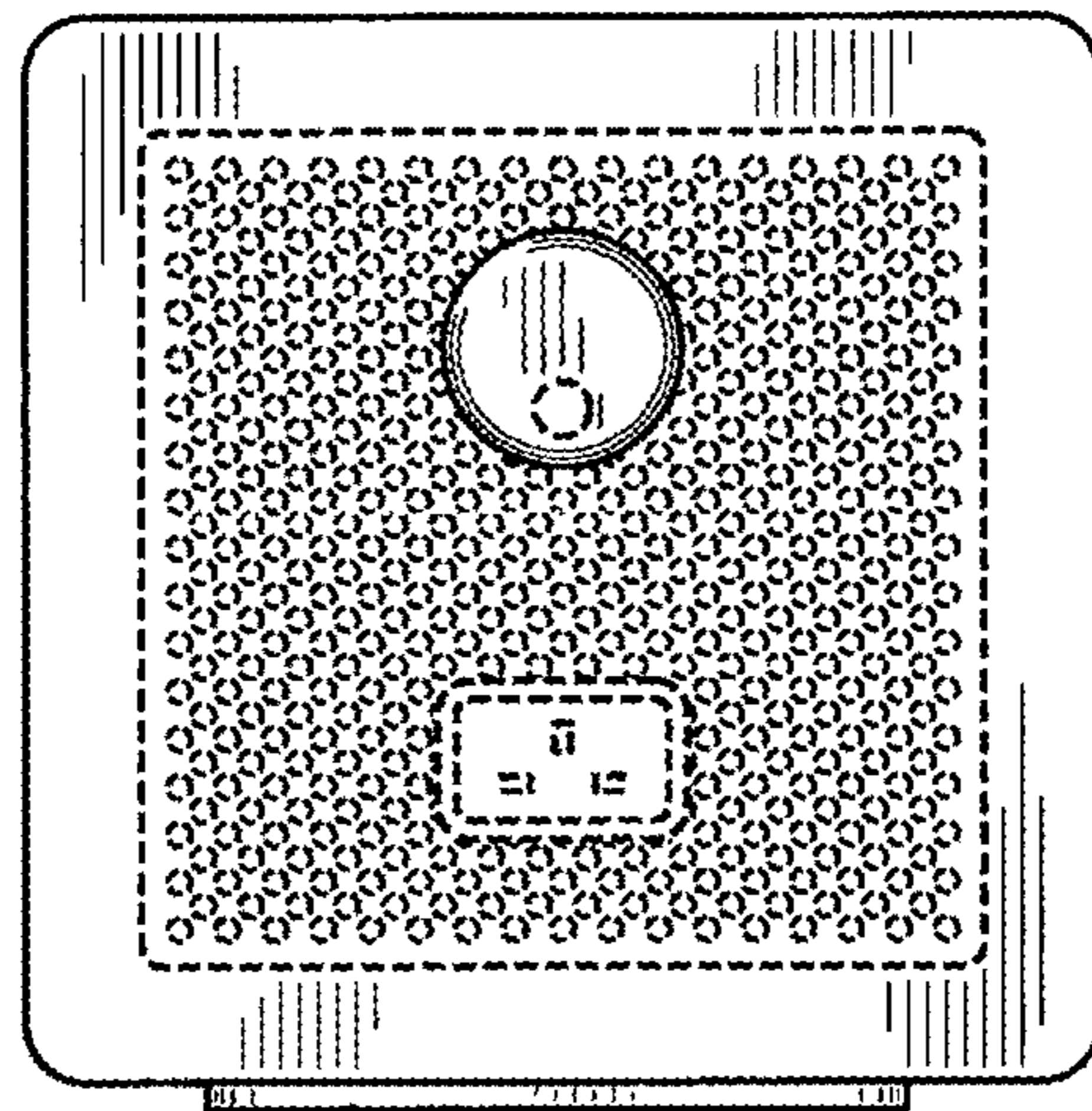


FIG. 5

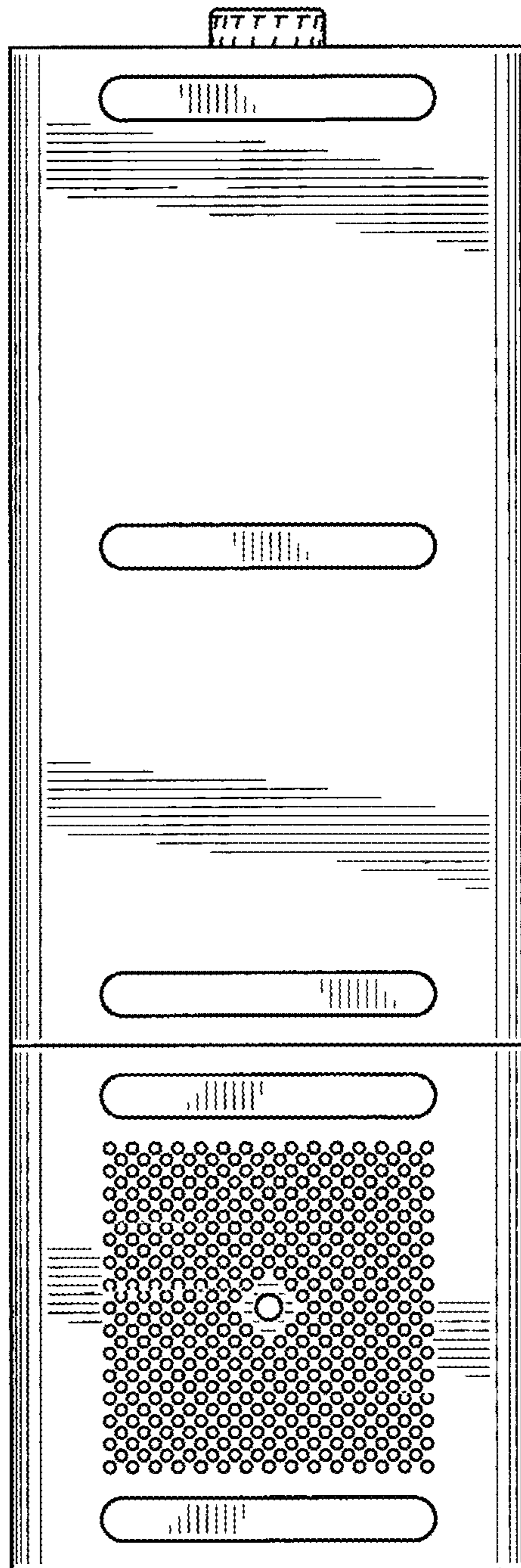


FIG. 6