



US00D757316S

(12) **United States Design Patent**
Wymore

(10) **Patent No.:** **US D757,316 S**

(45) **Date of Patent:** **** May 24, 2016**

(54) **BUMPER LIGHT**

D656,258 S * 3/2012 Georgitsis D26/31
8,585,107 B2 11/2013 Kekich, Jr. et al.
D744,405 S 12/2015 Wolf

(71) Applicant: **IDDEA CALIFORNIA, LLC**, Brea,
CA (US)

(72) Inventor: **Timothy John Wymore**, Yorba Linda,
CA (US)

(73) Assignee: **IDDEA CALIFORNIA, LLC**, Brea,
CA (US)

(**) Term: **14 Years**

(21) Appl. No.: **29/520,214**

(22) Filed: **Mar. 12, 2015**

(51) **LOC (10) Cl.** **26-06**

(52) **U.S. Cl.**
USPC **D26/31**

(58) **Field of Classification Search**
USPC D26/28-36; 362/61, 80-83, 267-269,
362/459-468, 475-478, 485-487
CPC F21S 48/00; F21S 48/10; F21S 48/115;
F21S 48/225; B60Q 1/02; B60Q 1/04
See application file for complete search history.

(56) **References Cited**

U.S. PATENT DOCUMENTS

D331,472 S * 12/1992 Campbell D20/10
6,231,093 B1 5/2001 Storer
6,318,773 B2 11/2001 Storer
D499,198 S * 11/2004 Cowan D26/31
D551,138 S 9/2007 Storer et al.

OTHER PUBLICATIONS

Westin Public Safety Division, "2 Light Top Channel", <http://westinpublicsafety.com/2%20Light/2-Light-Page.html>, Jun. 10, 2013, 2 pages.

ICI Innovative Creations Inc., "Front Bumpers", <http://accessoryproshop.com/Bumpers/Magnum-Bumpers/Front-Bumpers>, Feb. 19, 2016, 2 pages.

* cited by examiner

Primary Examiner — Marcus Jackson

(74) *Attorney, Agent, or Firm* — Stetina Brunda Garred & Brucker

(57) **CLAIM**

The ornamental design for a bumper light, as shown and described.

DESCRIPTION

FIG. 1 is a front perspective view of the bumper light of the present invention showing my new design with the dotted lines depicting solely environmental structure and forming no part of the claimed design;

FIG. 2 is a front perspective view thereof;

FIG. 3 is a top plan view thereof;

FIG. 4 is a front elevational view thereof;

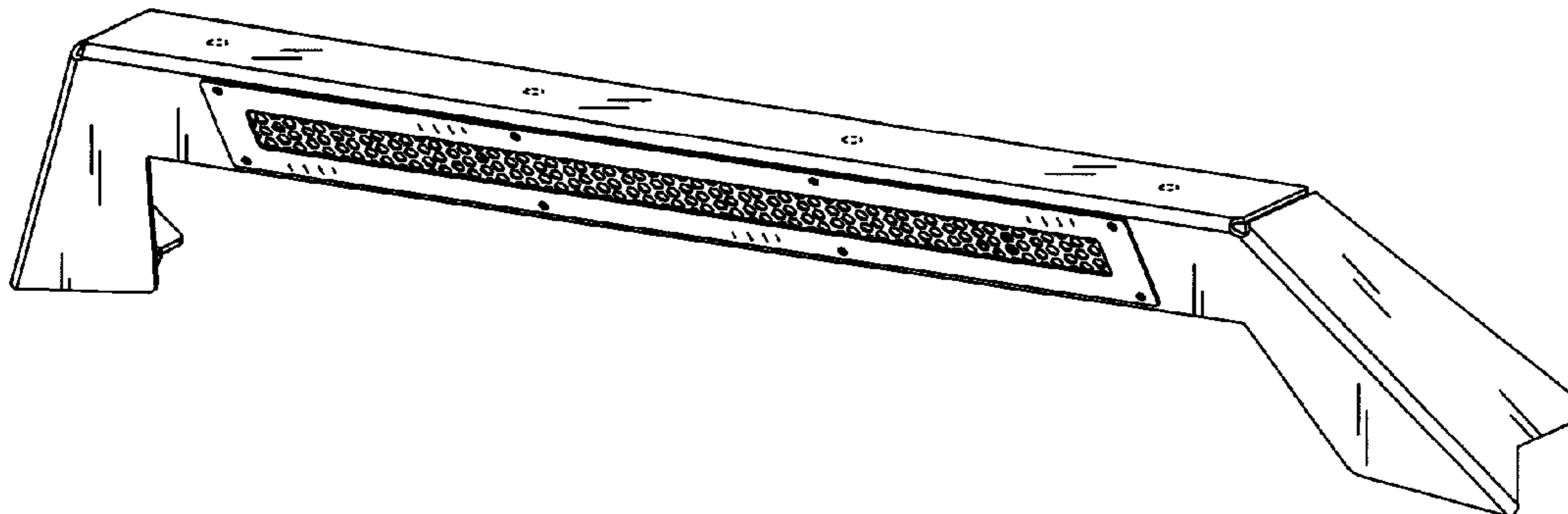
FIG. 5 is a bottom plan view thereof;

FIG. 6 is a rear elevational view thereof;

FIG. 7 is a left end view thereof; and,

FIG. 8 is a right end view thereof.

1 Claim, 3 Drawing Sheets



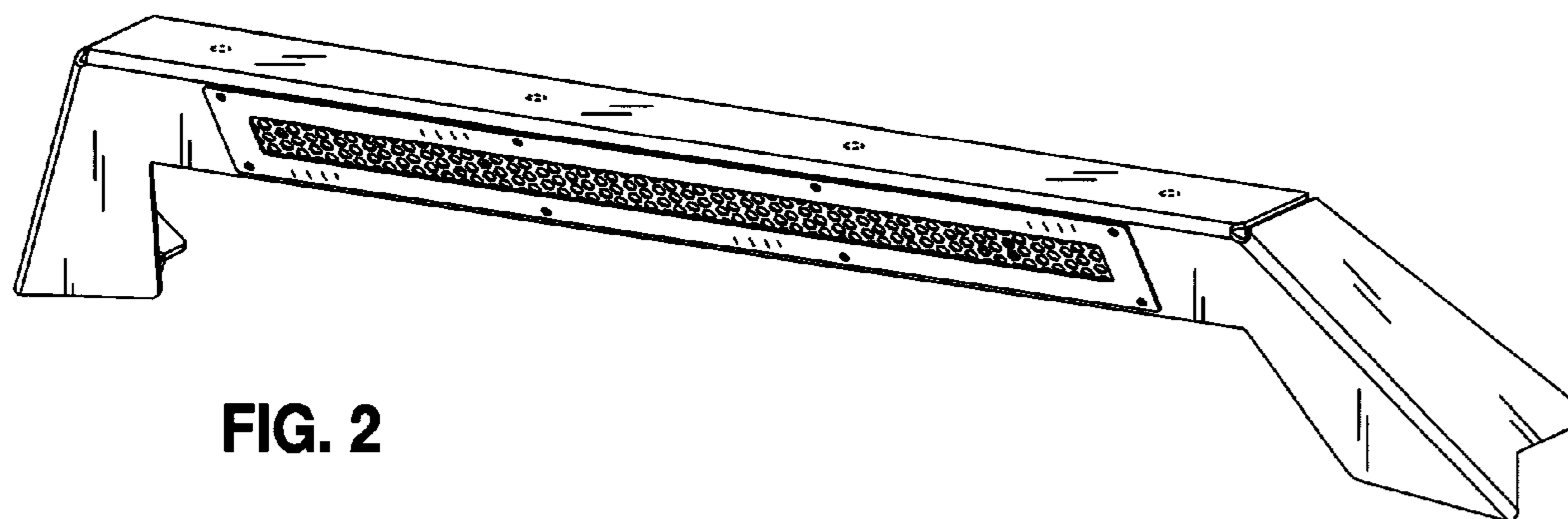


FIG. 2

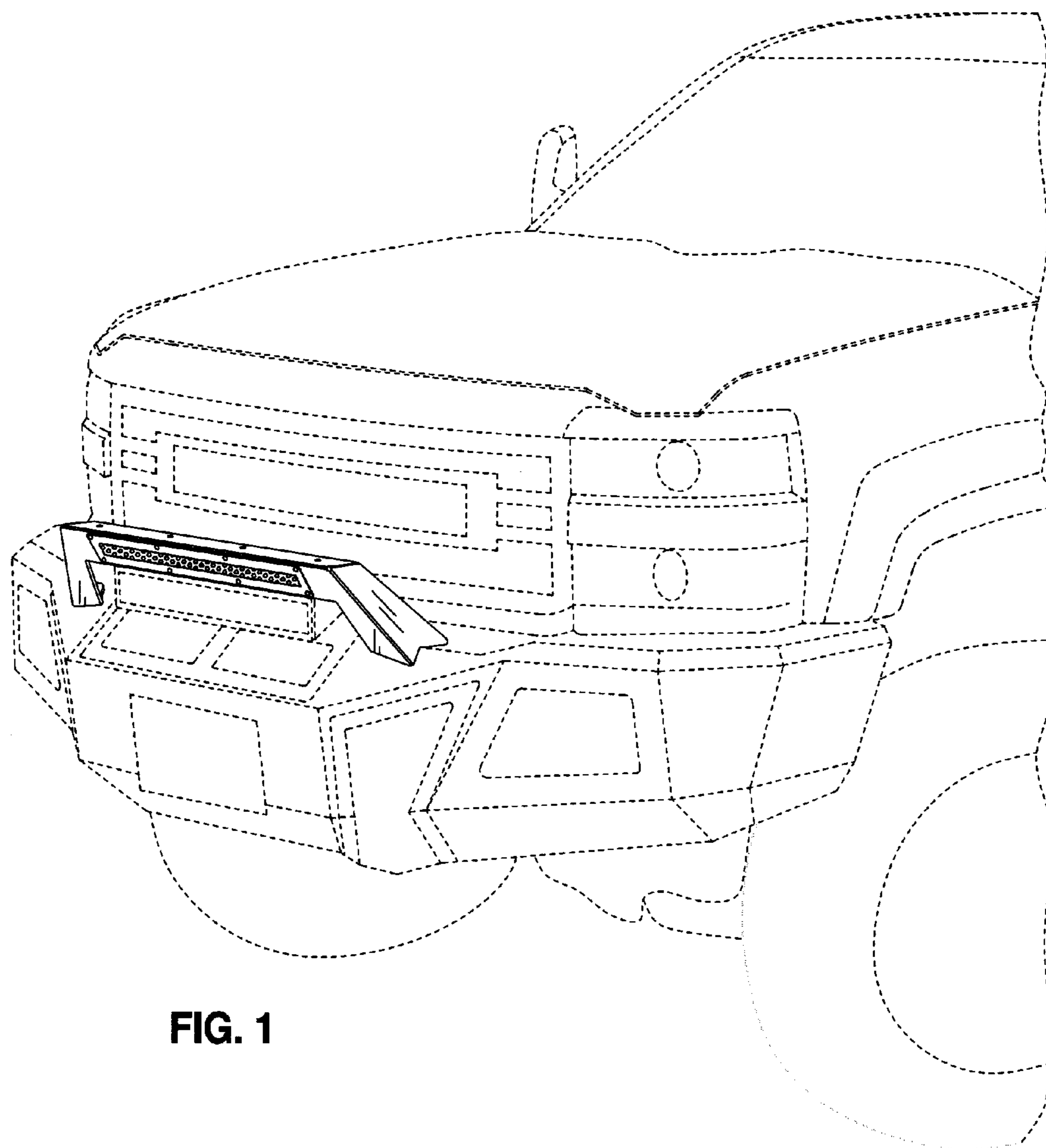


FIG. 1

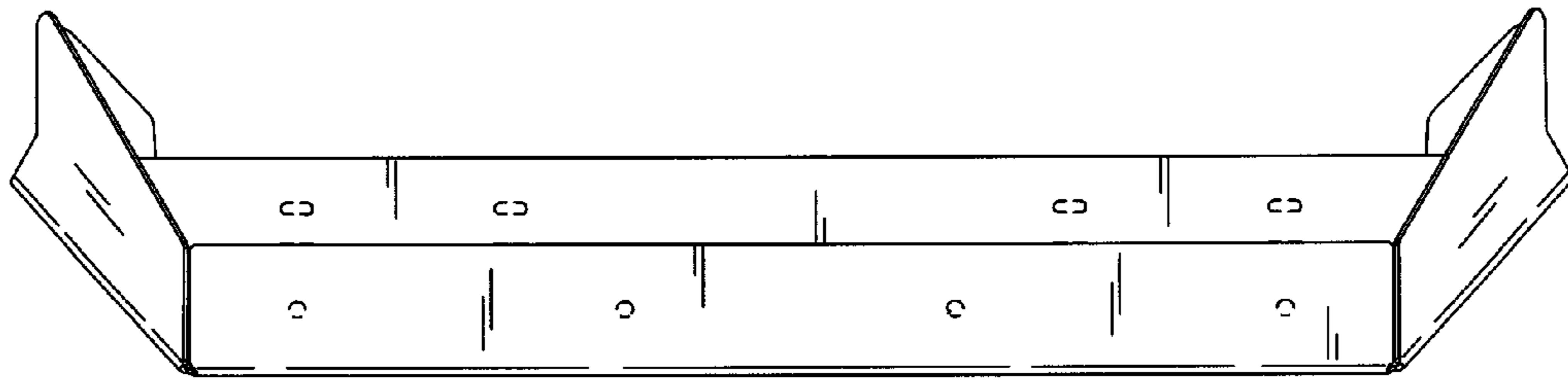


FIG. 3

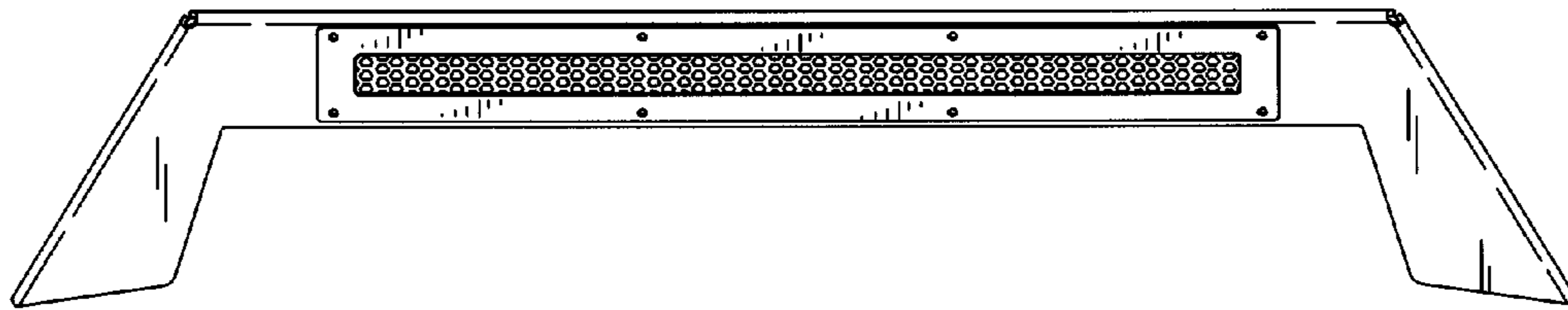


FIG. 4

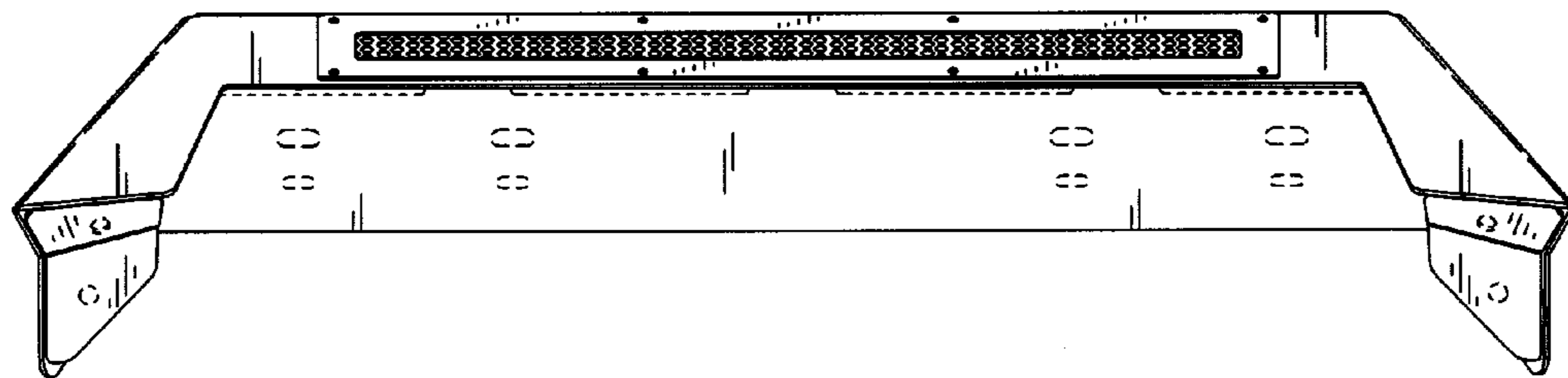


FIG. 5

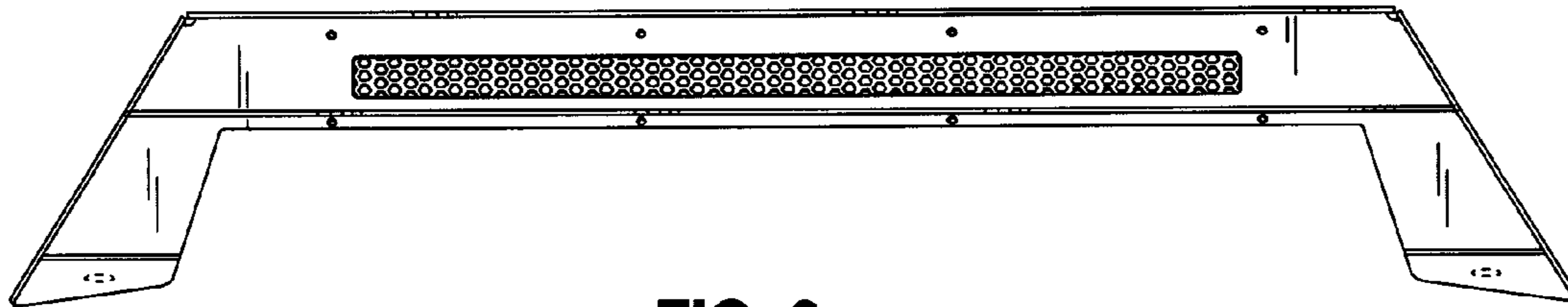


FIG. 6

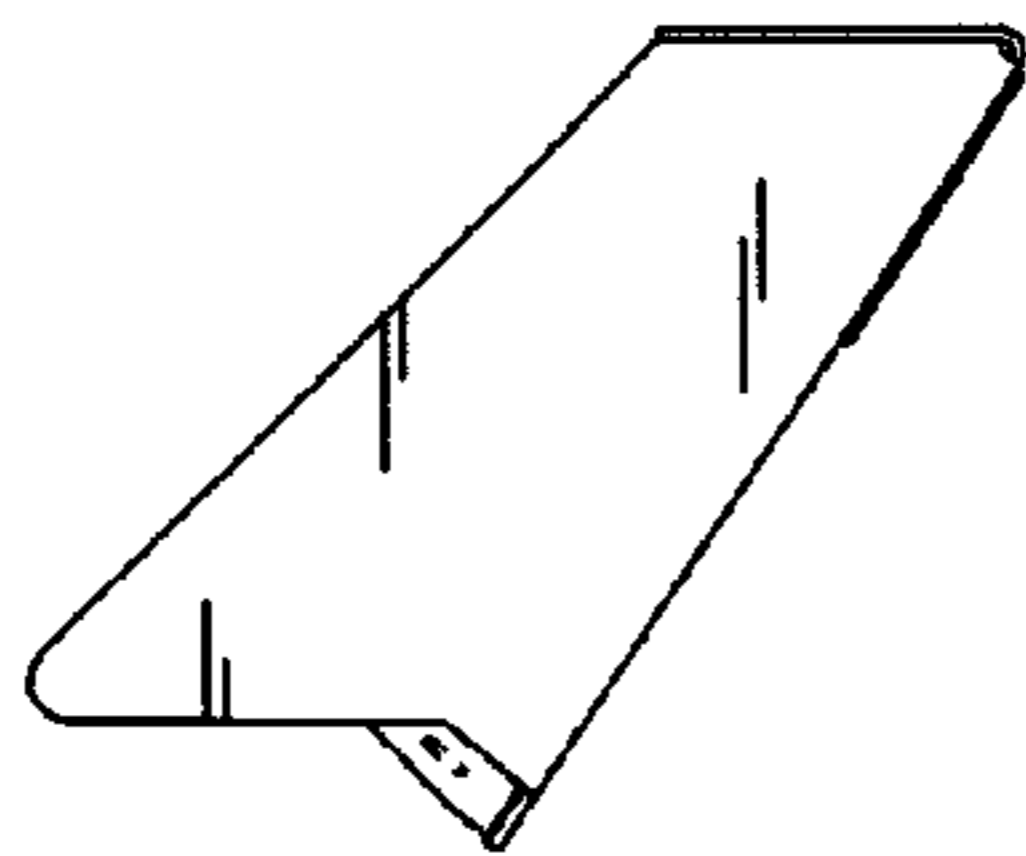


FIG. 7

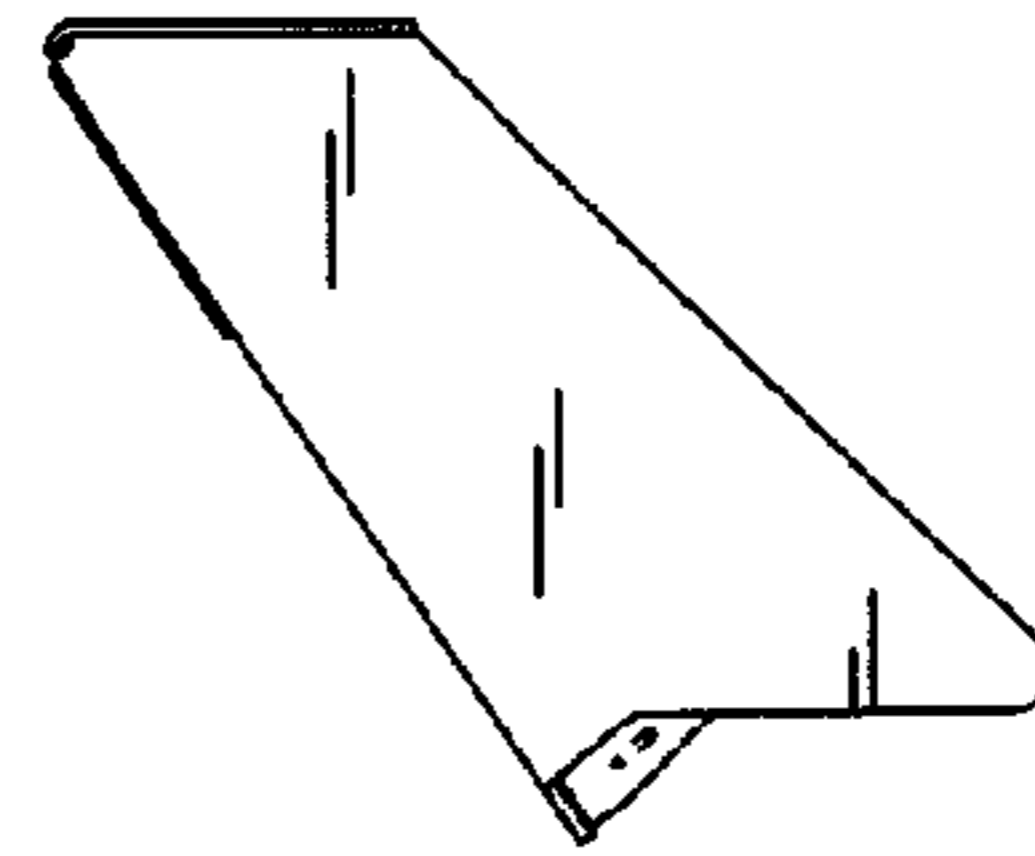


FIG. 8