



US00D757312S

(12) **United States Design Patent**
Ogihara et al.

(10) **Patent No.:** **US D757,312 S**
(45) **Date of Patent:** **** May 24, 2016**

- (54) **COMBINATION LAMP FOR AN AUTOMOBILE**
- (71) Applicant: **Toyota Jidosha Kabushiki Kaisha**,
Toyota-shi, Aichi-ken (JP)
- (72) Inventors: **Hiroshi Ogihara**, Nagoya (JP); **Atsushi Yoshida**, Hiroshima (JP); **Masashi Hayashi**, Hiroshima (JP)
- (73) Assignee: **Toyota Jidosha Kabushiki Kaisha** (JP)
- (**) Term: **14 Years**
- (21) Appl. No.: **29/513,657**
- (22) Filed: **Jan. 5, 2015**
- (51) **LOC (10) Cl.** **26-04**
- (52) **U.S. Cl.**
USPC **D26/28**
- (58) **Field of Classification Search**
USPC D26/28-36; 362/459-468, 475-478,
362/485-487
CPC F21S 48/00; F21S 48/225; F21S 48/1233;
F21S 48/1266; F21S 48/1388; F21S 48/2268;
F21S 48/115; F21V 21/04
See application file for complete search history.

(56) **References Cited**

U.S. PATENT DOCUMENTS

- D674,932 S * 1/2013 Kawano D26/28
- D674,940 S * 1/2013 Lai D26/28
- D678,567 S * 3/2013 Lai D26/28
- D695,936 S * 12/2013 Ishizuka D26/28

- D705,466 S * 5/2014 Wada D26/28
- D706,471 S * 6/2014 Lai D26/28
- D708,767 S * 7/2014 Minaminsawa D26/28
- D709,631 S * 7/2014 Sato D26/28
- D715,978 S * 10/2014 Loeb D26/28
- D715,981 S * 10/2014 Moon D26/28
- D721,196 S * 1/2015 Lai D26/28

OTHER PUBLICATIONS

Toyota Yaris, <<https://web.archive.org/web/20121103104445/http://www.netcarshow.com/toyota/2012-yaris/>>, available at least as early as Nov. 3, 2012.

VW UP! <<https://web.archive.org/web/20121103104145/http://www.netcarshow.com/volkswagen/2013-up/>>, available at least as early as Nov. 3, 2012.

* cited by examiner

Primary Examiner — Marcus Jackson

(74) *Attorney, Agent, or Firm* — Saidman DesignLaw Group, LLC

(57) **CLAIM**

The ornamental design for a combination lamp for an automobile, as shown and described.

DESCRIPTION

FIG. 1 is a front perspective view of a combination lamp for an automobile showing our new design;
FIG. 2 is a front view thereof;
FIG. 3 is a rear view thereof;
FIG. 4 is a top plan view thereof;
FIG. 5 is a bottom plan view thereof;
FIG. 6 is a right side view thereof; and,
FIG. 7 is a left side view thereof.

1 Claim, 4 Drawing Sheets

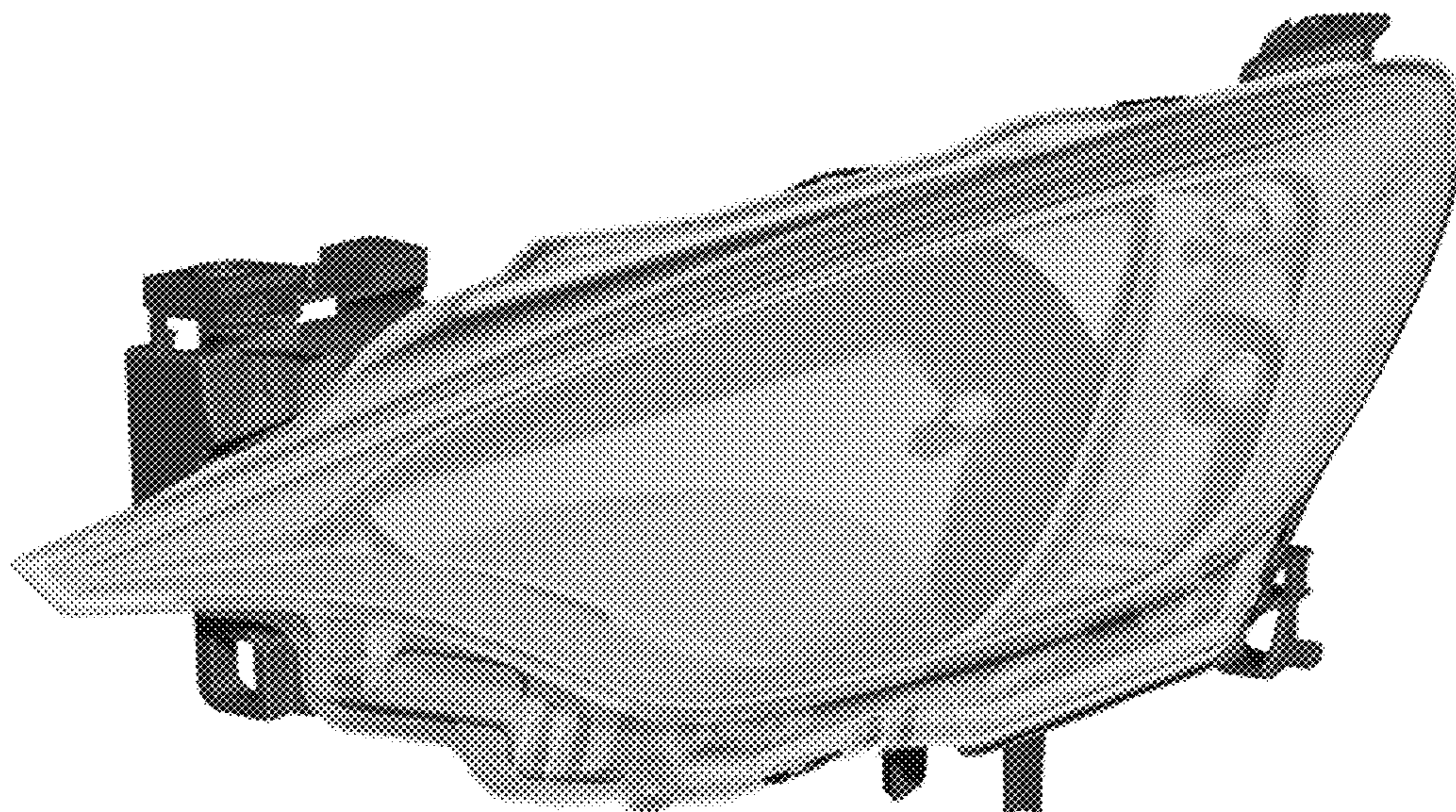


Fig. 1

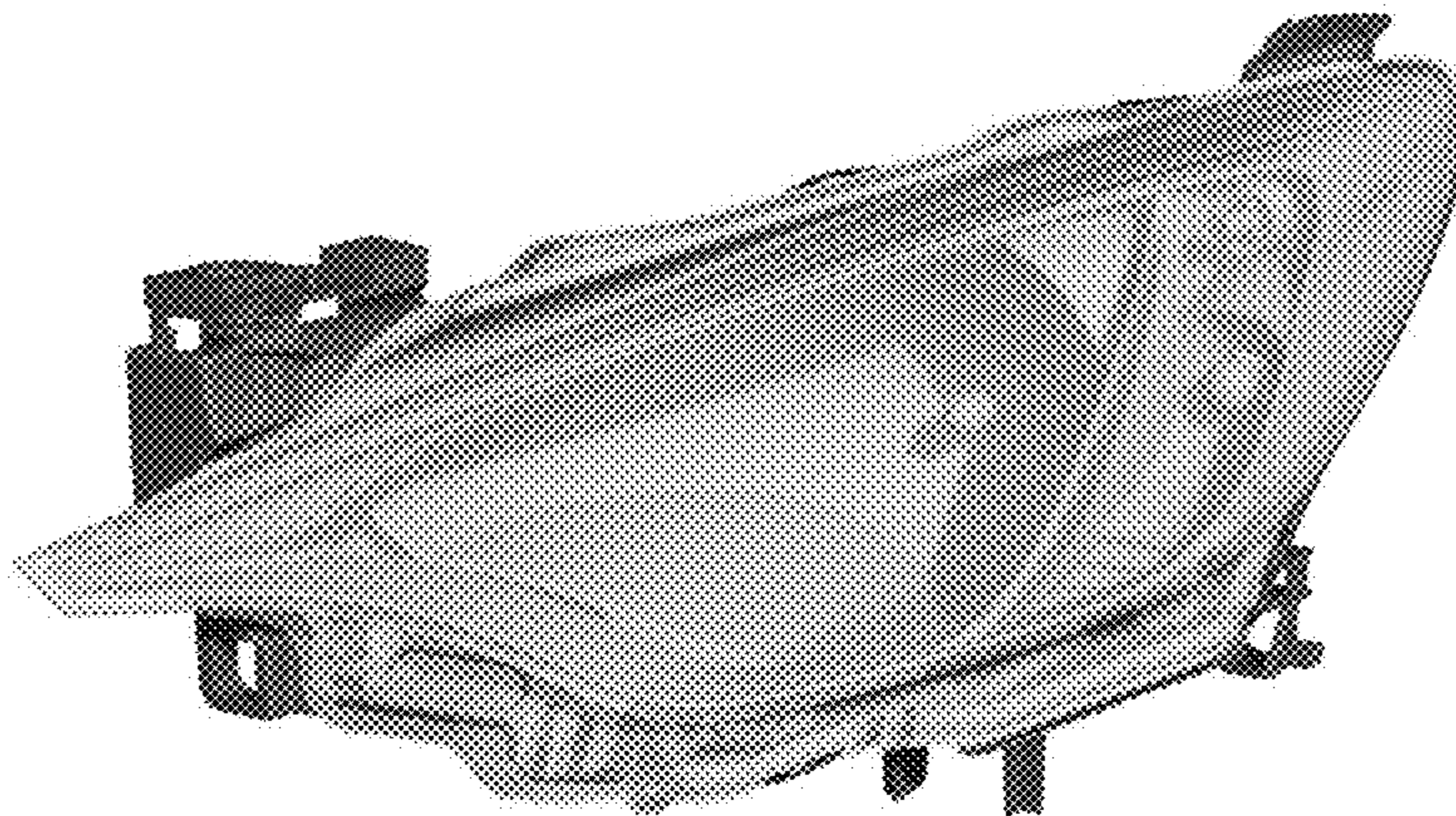


Fig.2

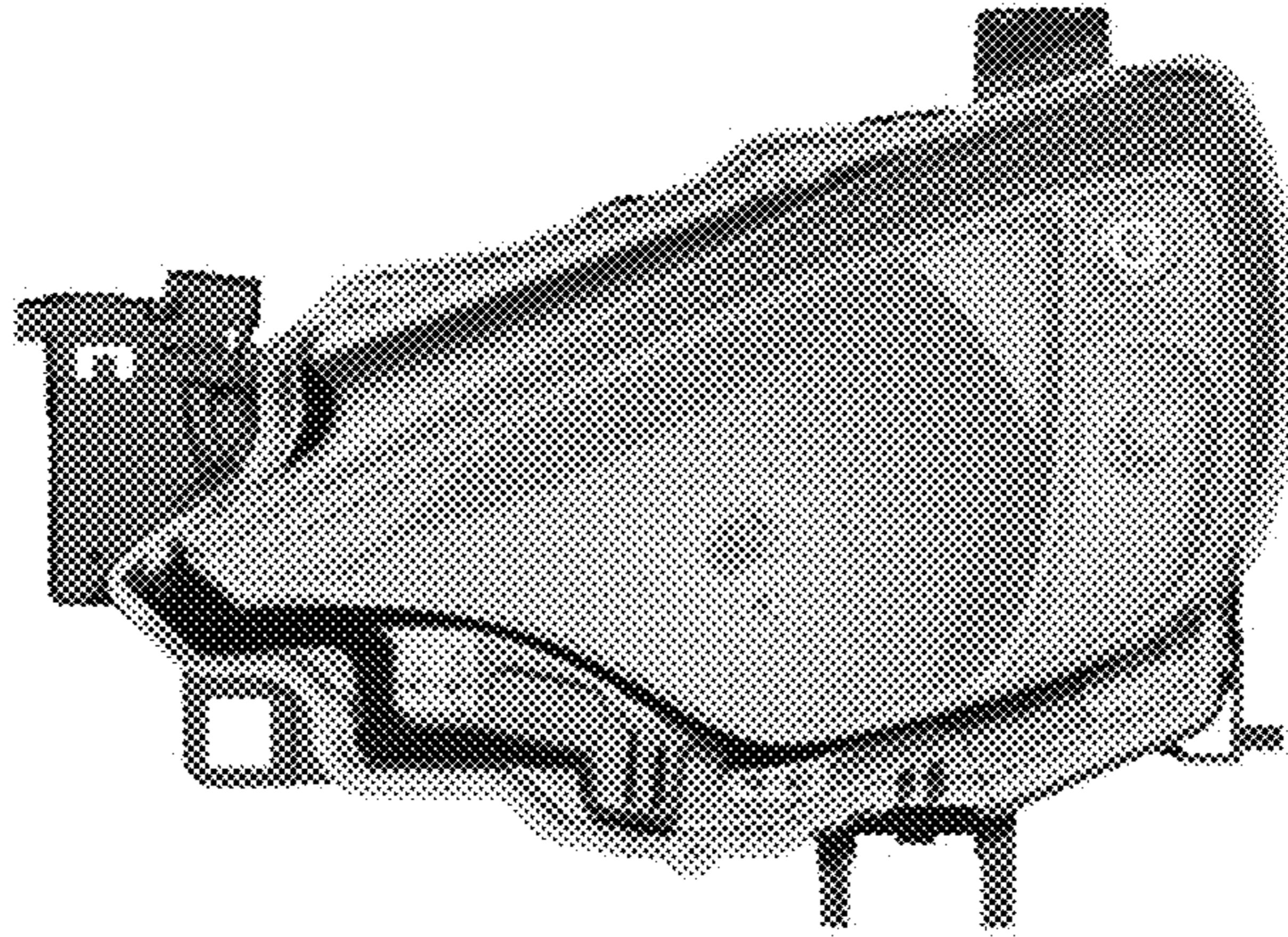


Fig.3

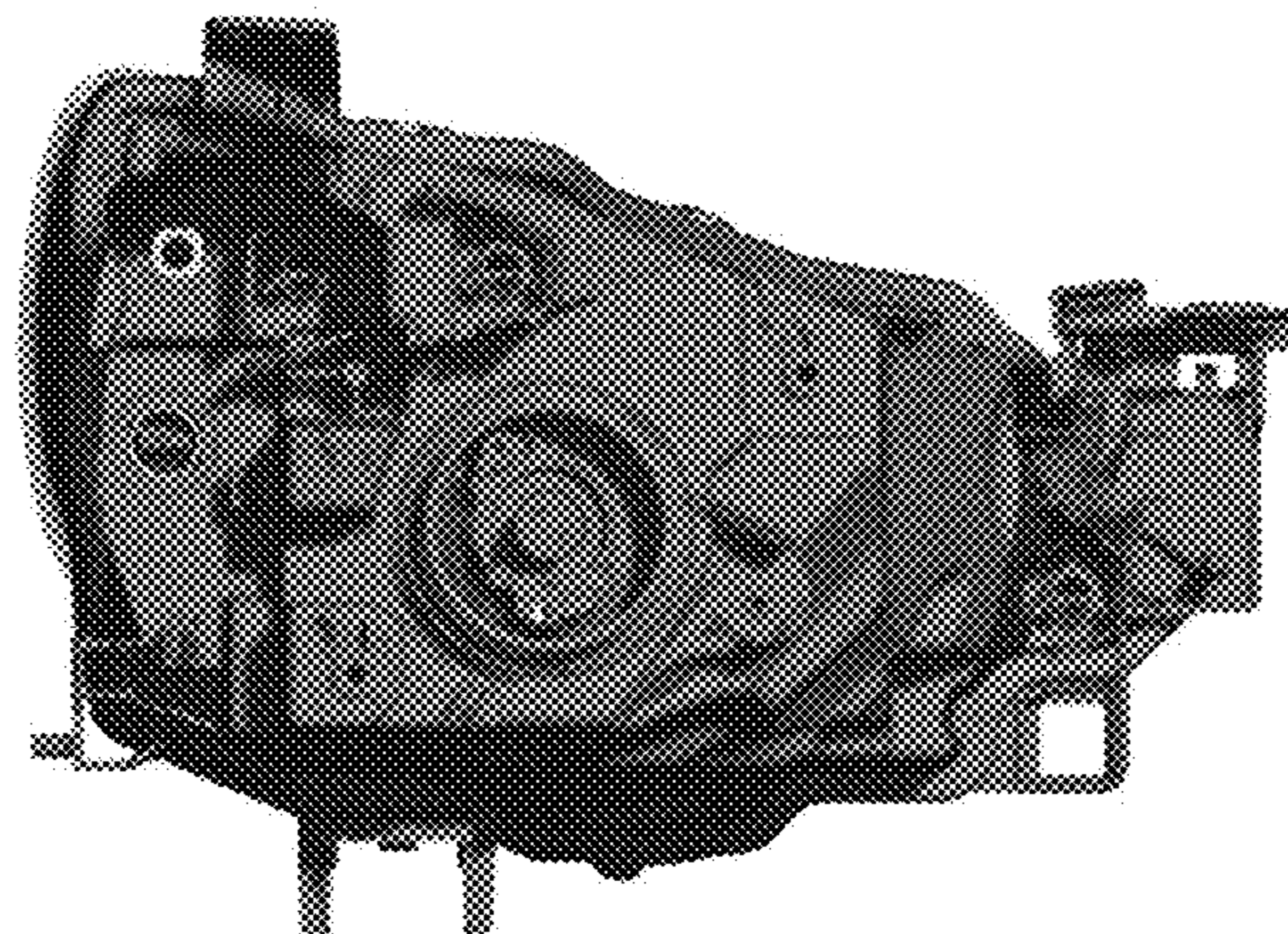


Fig.4

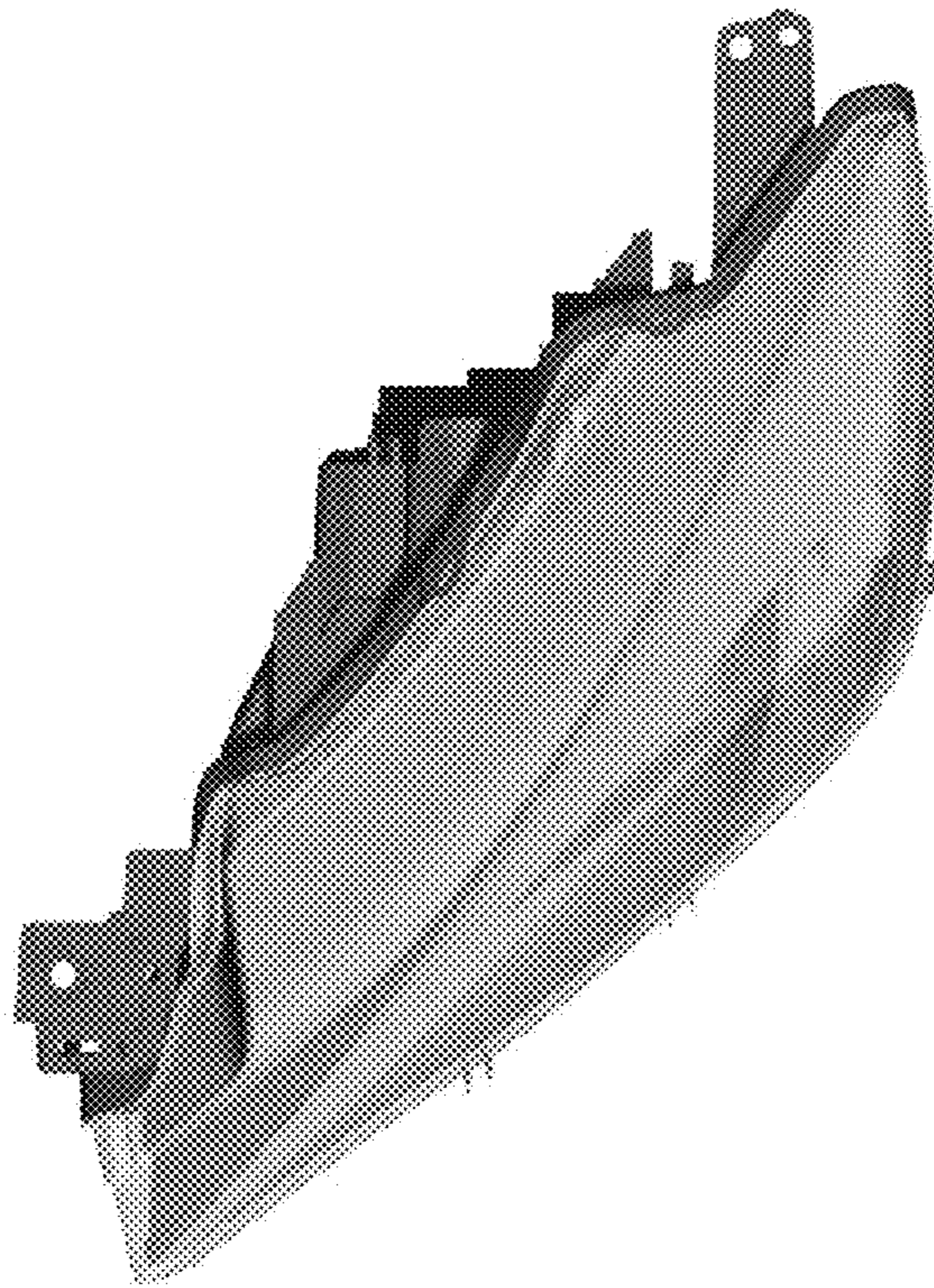


Fig.5

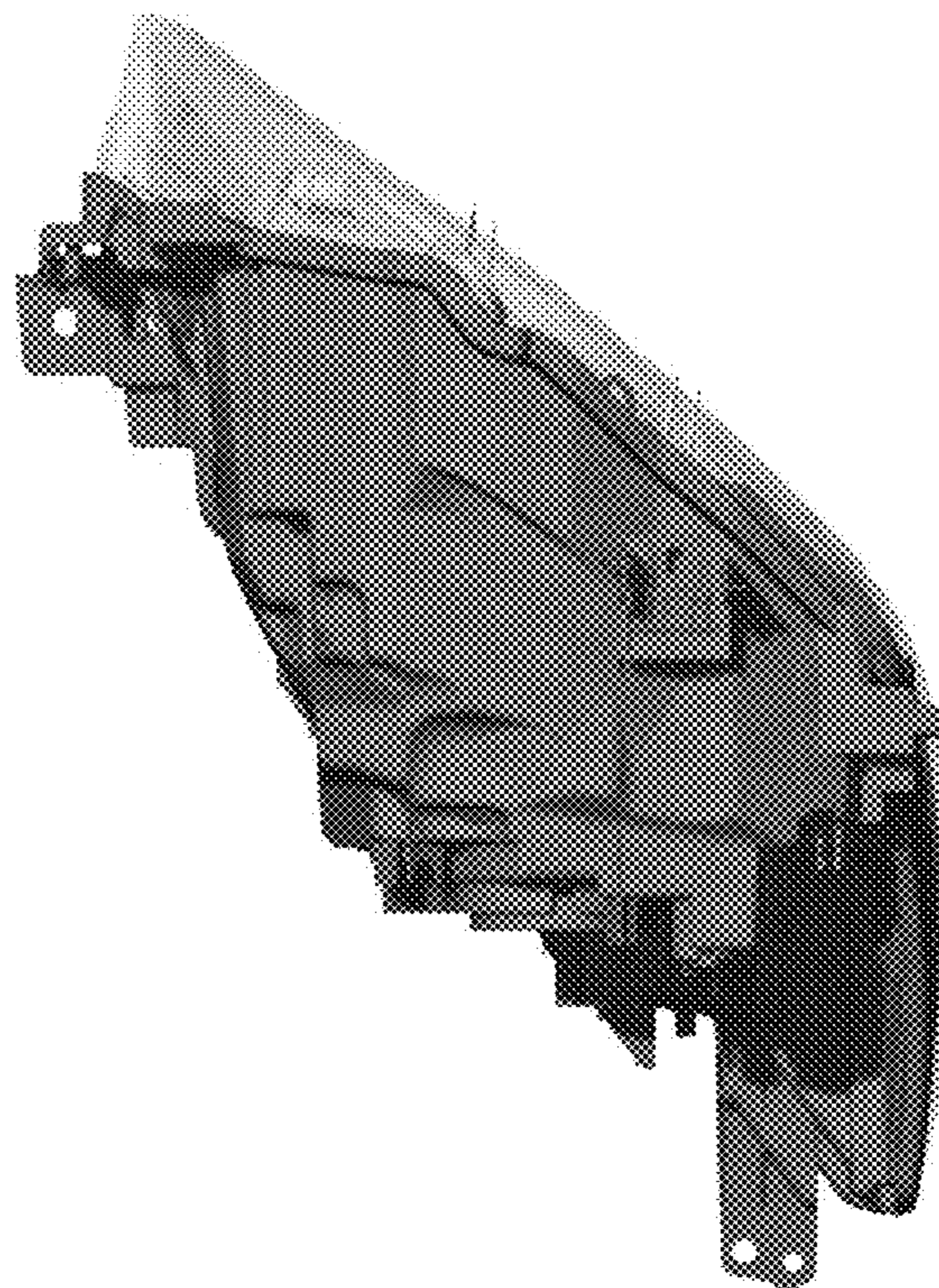


Fig.6

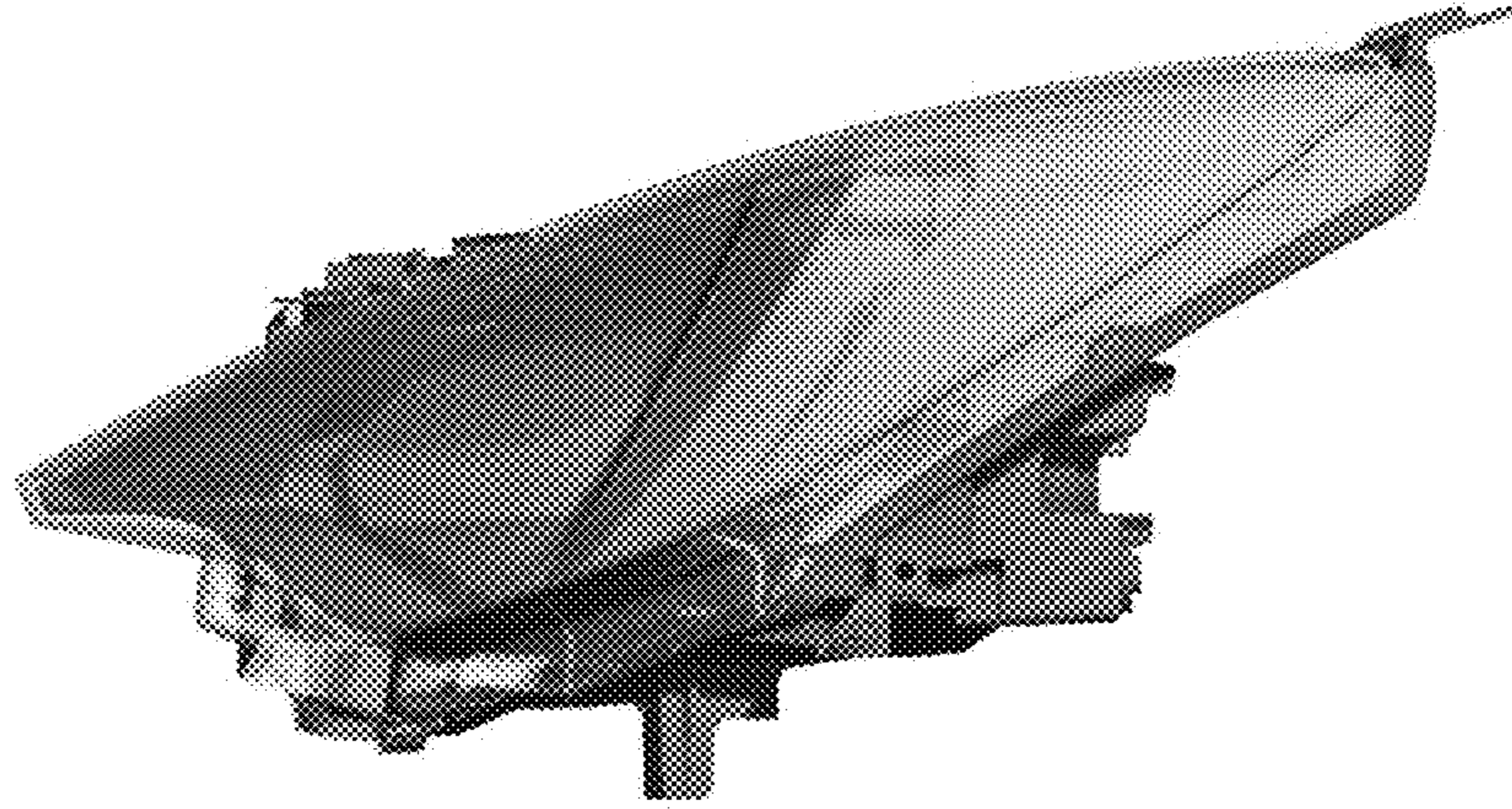


Fig.7

