



US00D757311S

(12) **United States Design Patent**
Nagano

(10) **Patent No.:** **US D757,311 S**

(45) **Date of Patent:** **** May 24, 2016**

(54) **HEADLAMP FOR A BICYCLE**

(56) **References Cited**

(71) Applicant: **Cateye Co., Ltd.**, Osaka (JP)

U.S. PATENT DOCUMENTS

(72) Inventor: **Toshiyuki Nagano**, Osaka (JP)

D609,378	S	*	2/2010	Lee	D26/60
D684,284	S	*	6/2013	Borovicka	D26/60
D735,381	S	*	7/2015	Lee	D26/28

(73) Assignee: **Cateye Co, Ltd.**, Osaka (JP)

FOREIGN PATENT DOCUMENTS

(**) Term: **14 Years**

JP	D1142210	5/2002
JP	D1294290	2/2007
TW	421520	2/2001
TW	D139710	3/2011

(21) Appl. No.: **29/498,443**

* cited by examiner

(22) Filed: **Aug. 4, 2014**

Primary Examiner — Brian N. Vinson

(30) **Foreign Application Priority Data**

(74) *Attorney, Agent, or Firm* — Arnstein & Lehr LLP

Feb. 26, 2014 (JP) 2014-003870

(57) **CLAIM**

The ornamental design for a headlamp for a bicycle, as shown.

(51) **LOC (10) Cl.** **26-06**

DESCRIPTION

(52) **U.S. Cl.**

FIG. 1 is a perspective view of a headlamp for a bicycle showing my new design;
FIG. 2 is a front view thereof;
FIG. 3 is a rear view thereof;
FIG. 4 is a top plan view thereof;
FIG. 5 is a bottom plan view thereof;
FIG. 6 is a right side view thereof; and,
FIG. 7 is a left side view thereof.

USPC **D26/28**; D26/60

(58) **Field of Classification Search**

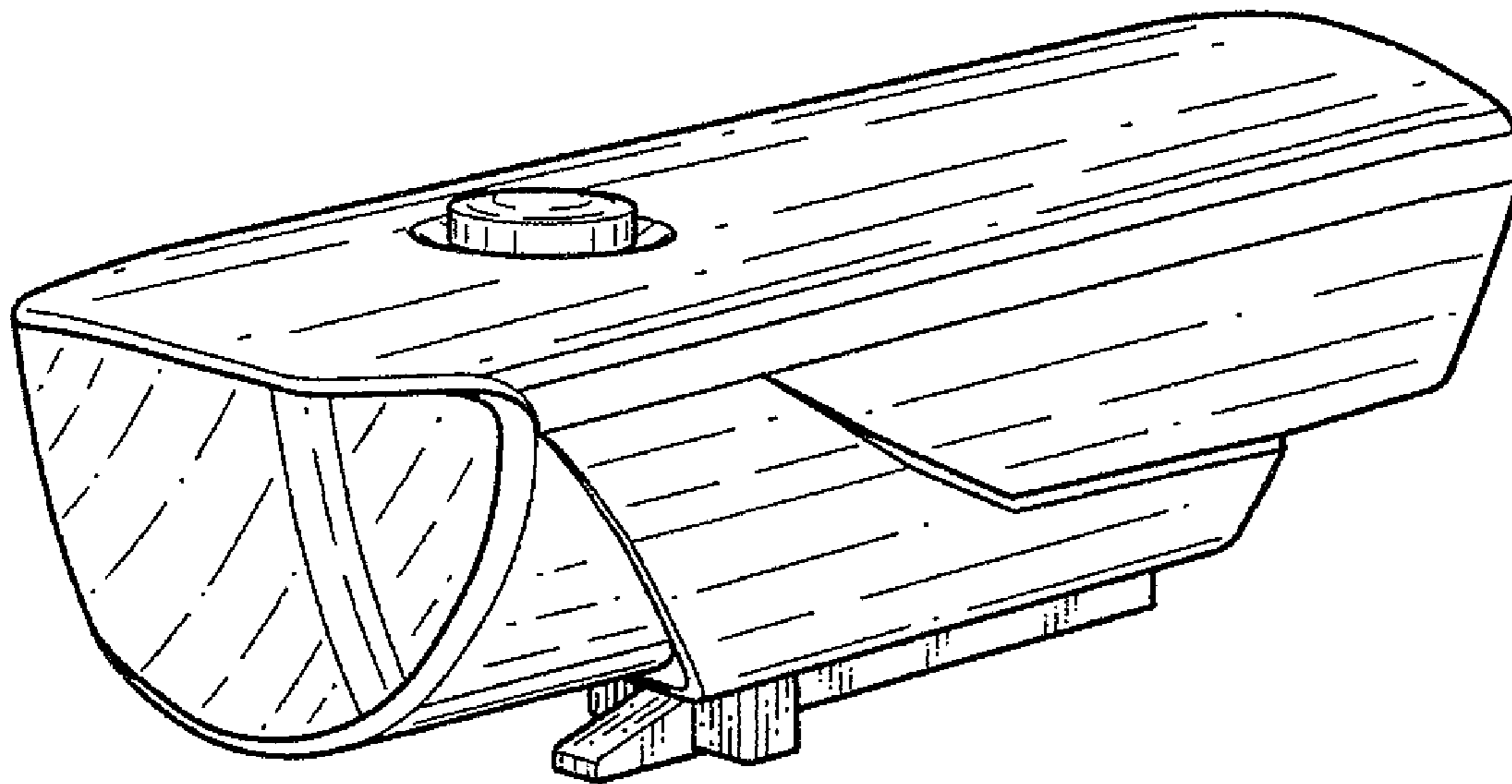
USPC D26/28, 60-63

CPC B62J 6/001; B62J 6/02; B62J 6/003;

F21S 4/00; F21V 21/00

See application file for complete search history.

1 Claim, 5 Drawing Sheets



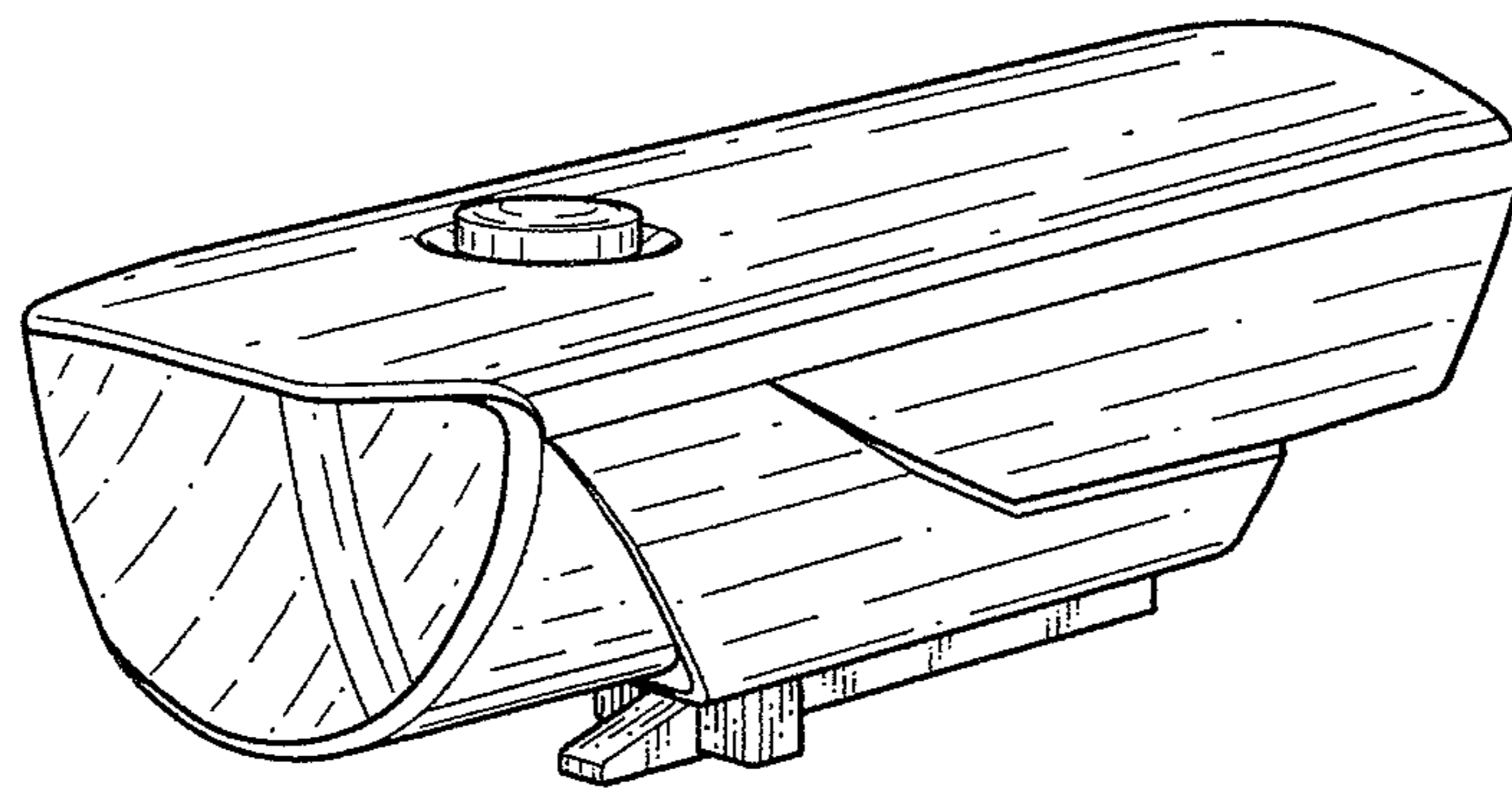


Fig. 1

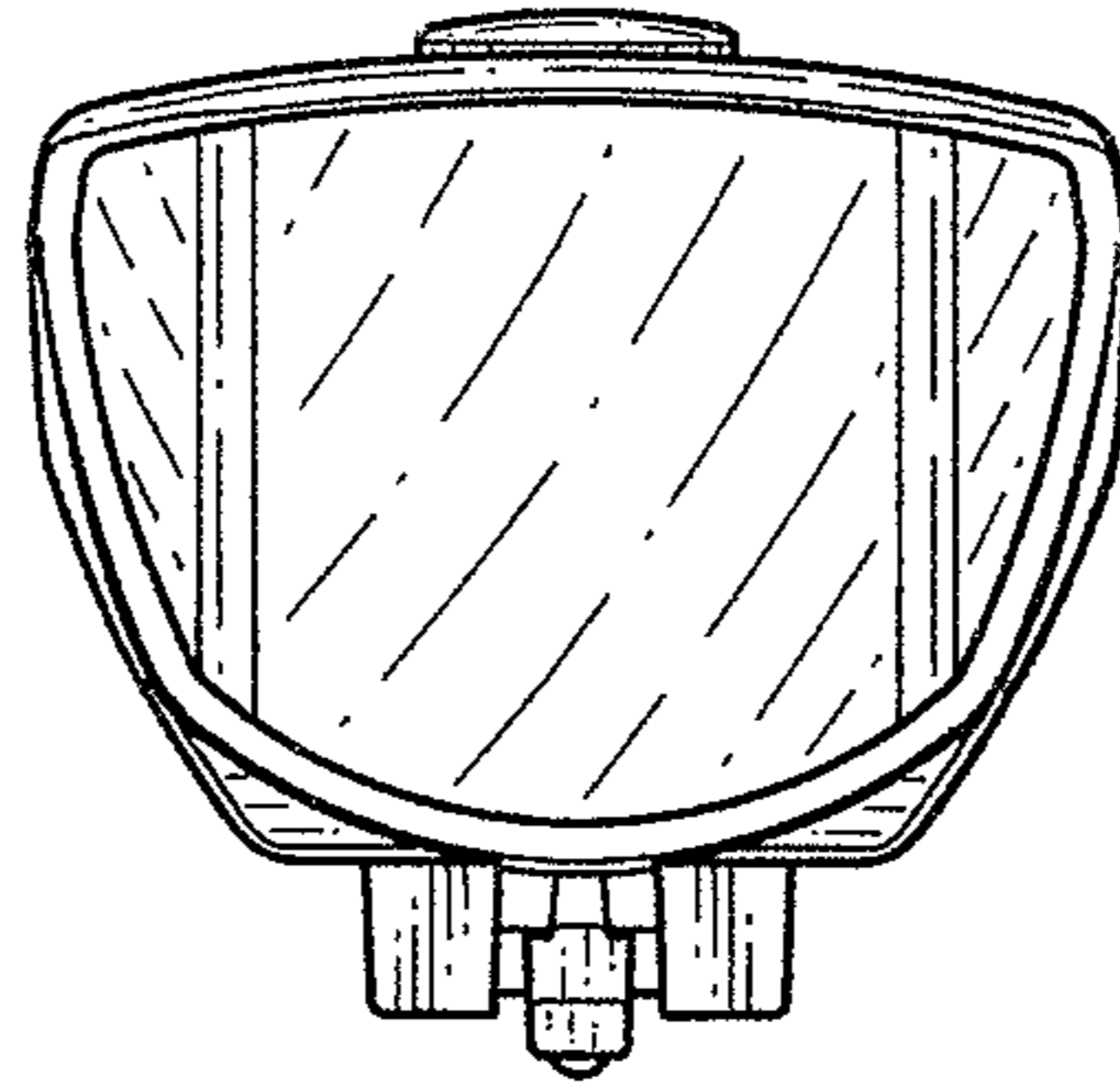


Fig. 2

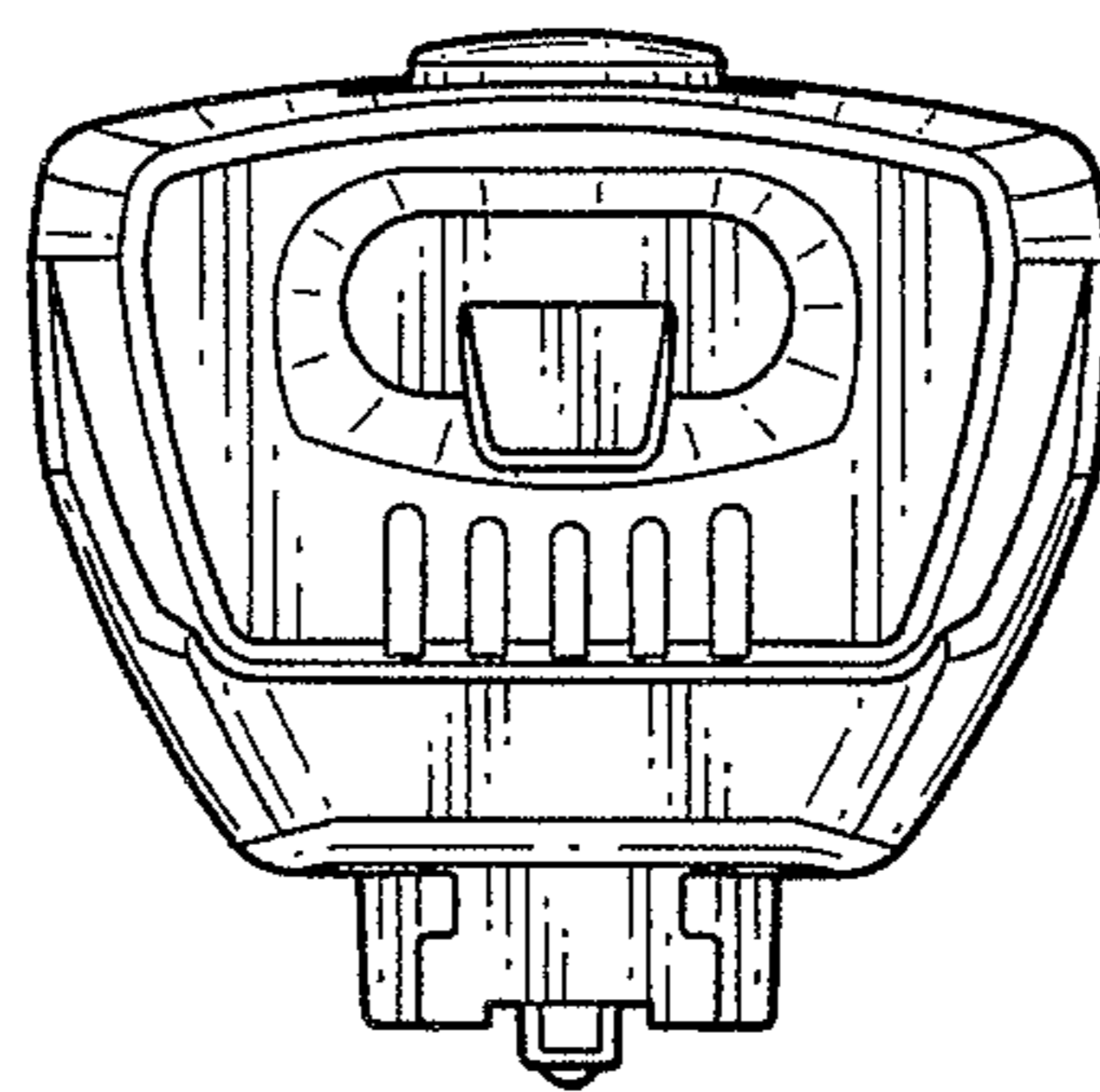


Fig. 3

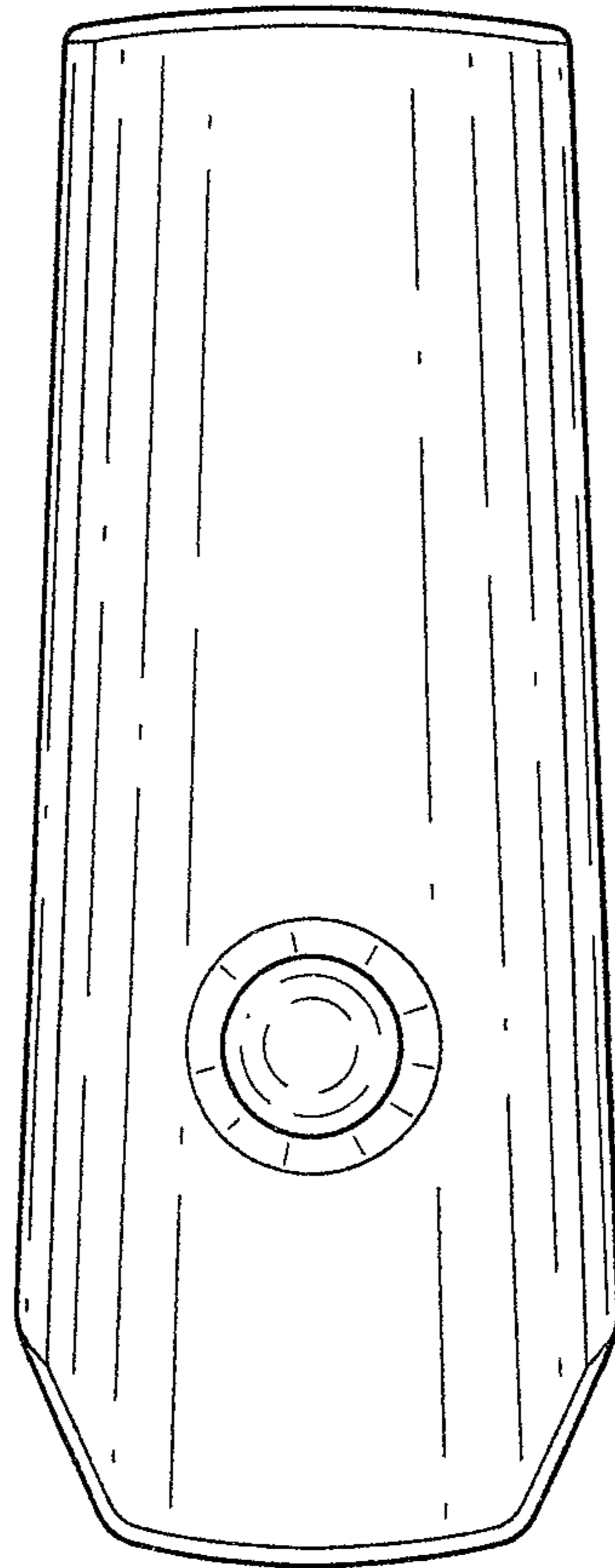


Fig. 4

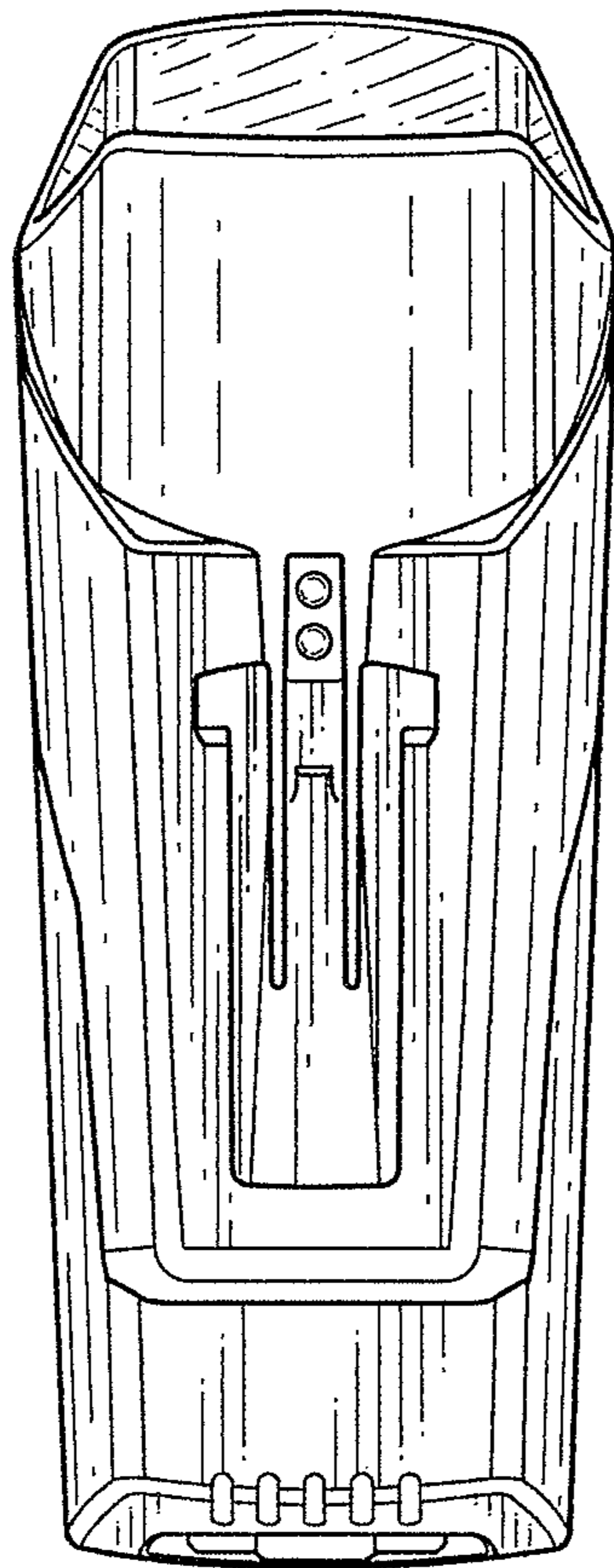


Fig. 5

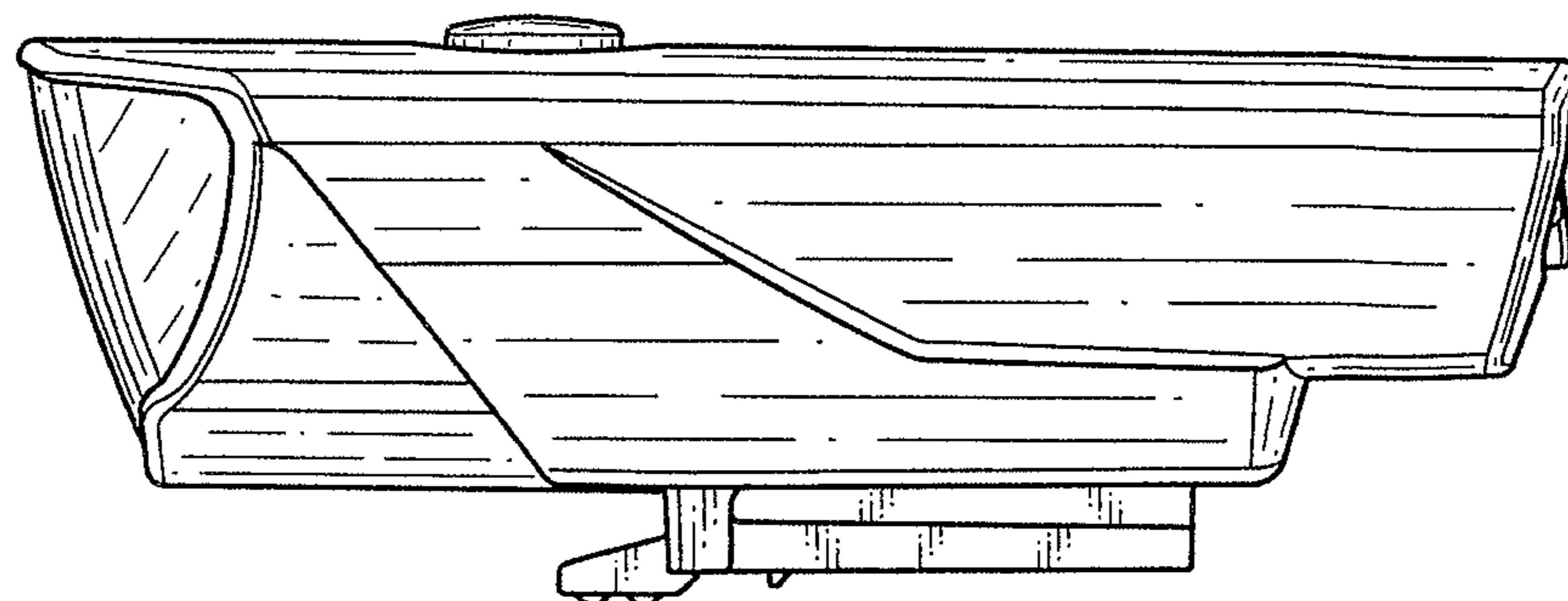


Fig. 6

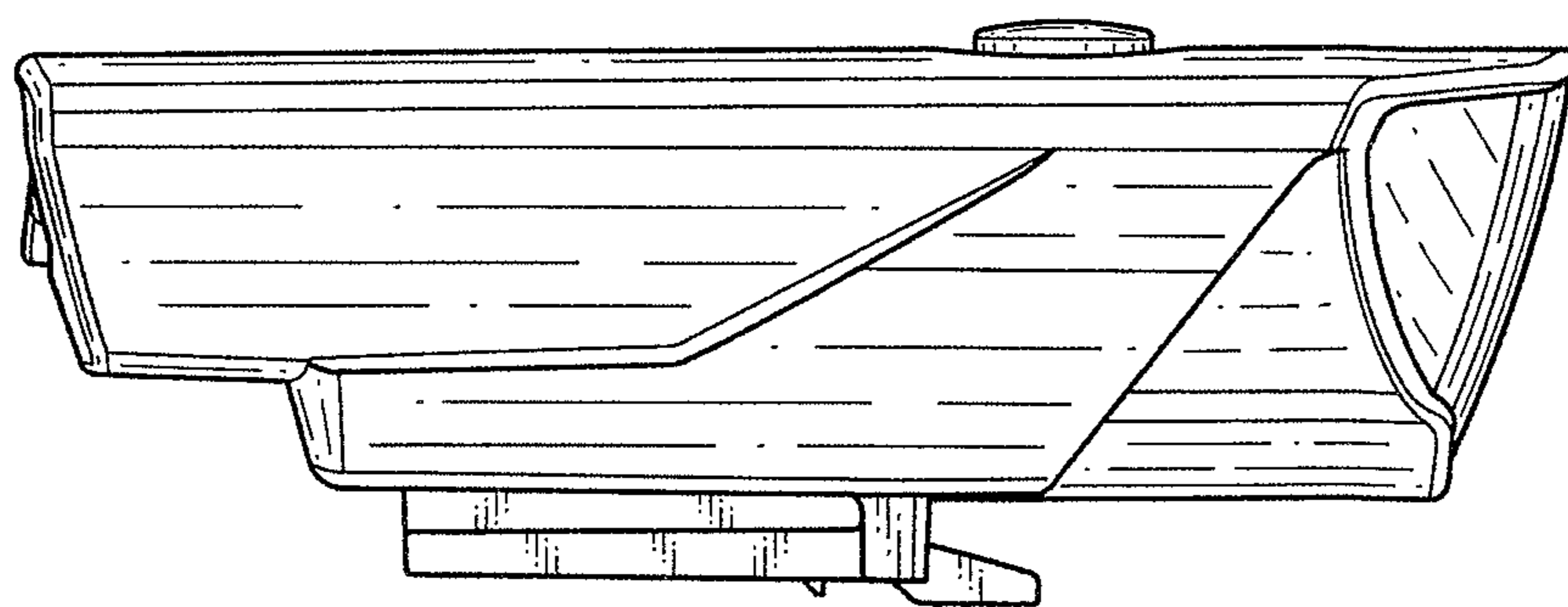


Fig. 7