



US00D757305S

(12) **United States Design Patent**  
**Rice**

(10) **Patent No.:** **US D757,305 S**  
(45) **Date of Patent:** **\*\* May 24, 2016**

(54) **LAMP CAPSULE WITH COATING**  
(71) Applicant: **Lawrence M. Rice**, Hillsboro, NH (US)  
(72) Inventor: **Lawrence M. Rice**, Hillsboro, NH (US)  
(73) Assignee: **OSRAM SYLVANIA Inc.**, Wilmington, MA (US)  
(\*\*) Term: **14 Years**  
(21) Appl. No.: **29/518,826**  
(22) Filed: **Feb. 27, 2015**  
(51) **LOC (10) Cl.** ..... **26-04**  
(52) **U.S. Cl.**  
USPC ..... **D26/2**

(58) **Field of Classification Search**  
USPC ..... D26/1-4; 313/313, 315, 316, 318, 493;  
315/52, 53, 56, 57, 58  
CPC ..... H01J 61/40; H01K 9/08; H01K 1/32;  
H01K 1/50; Y02B 20/12  
See application file for complete search history.

(56) **References Cited**

U.S. PATENT DOCUMENTS

3,979,622 A \* 9/1976 Rijnders ..... H01K 9/08  
313/117  
4,568,854 A \* 2/1986 Westlund, Jr. .... H01K 1/58  
313/318.07  
D290,045 S \* 5/1987 Blaisdell ..... D26/2  
4,686,412 A \* 8/1987 Johnson, Jr. .... H01K 1/14  
313/112  
D299,547 S \* 1/1989 Hellman ..... D26/2  
4,864,183 A \* 9/1989 Okano ..... H01R 33/94  
313/318.01  
4,879,491 A \* 11/1989 Hirozumi ..... F21S 48/1109  
313/318.01  
4,918,354 A \* 4/1990 Johnson, Jr. .... H01K 1/18  
313/273  
5,017,825 A 5/1991 Heijnen et al.  
5,111,105 A 5/1992 Yamamoto  
5,252,888 A \* 10/1993 Topel ..... H01J 9/245  
313/318.01  
5,270,609 A \* 12/1993 Smith ..... H01K 1/18  
313/271

D347,901 S \* 6/1994 Yamamoto ..... D26/2  
5,660,462 A 8/1997 Bockley et al.  
D392,057 S \* 3/1998 Chen ..... D26/2  
5,734,227 A \* 3/1998 Gotoh ..... H01J 9/40  
313/25  
D395,714 S \* 6/1998 Murata ..... D26/2  
6,011,353 A \* 1/2000 Rachel ..... H01J 5/58  
313/318.05  
6,093,999 A 7/2000 English et al.  
6,271,622 B1 \* 8/2001 Coughaine ..... F21S 48/1172  
313/112  
6,281,630 B1 8/2001 English et al.  
6,342,762 B1 1/2002 Young et al.  
D456,090 S \* 4/2002 Benensohn ..... D26/2  
6,369,510 B1 4/2002 Shaw et al.  
6,508,573 B1 1/2003 Yamazaki

(Continued)

FOREIGN PATENT DOCUMENTS

WO 2008074657 A2 6/2008

OTHER PUBLICATIONS

Osram "Night Breaker" lamp marketed by Osram Sylvania Inc., on sale prior to present application filing date, product information appearing at website www.osram.com (1 page, in color).

*Primary Examiner* — Ian Simmons

*Assistant Examiner* — Harold Blackwell, II

(74) *Attorney, Agent, or Firm* — Edward S. Podszus

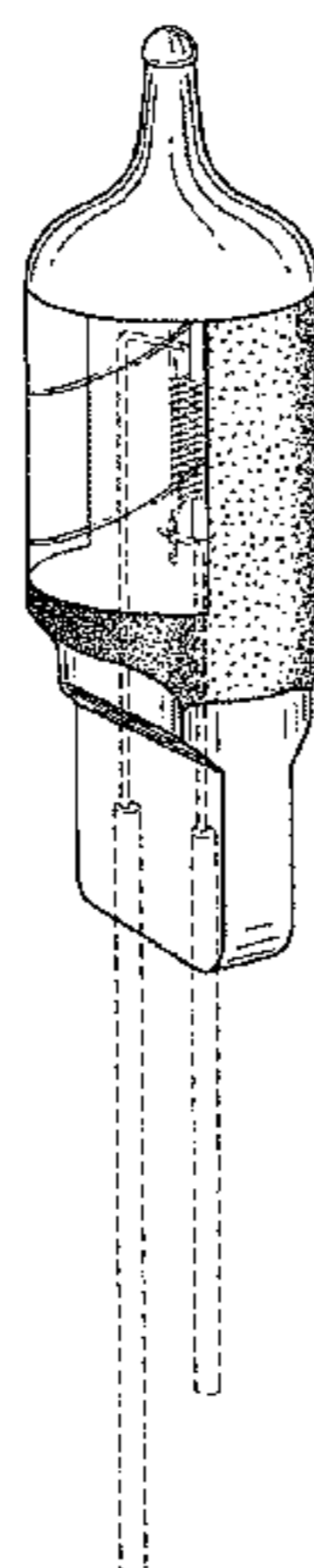
(57) **CLAIM**

The ornamental design for a lamp capsule with coating, as shown and described.

**DESCRIPTION**

FIG. 1 is a front perspective view of the ornamental design for the lamp capsule with coating;  
FIG. 2 is a front view thereof;  
FIG. 3 is a rear view thereof;  
FIG. 4 is a side view, the opposite side being the same;  
FIG. 5 is a top view; and,  
FIG. 6 is a bottom view.  
The broken lines in the drawings illustrate portions of the lamp capsule with coating which form no part of the claimed design.

**1 Claim, 4 Drawing Sheets**



(56)

**References Cited**

U.S. PATENT DOCUMENTS

D482,142 S \* 11/2003 Honda ..... D26/2  
6,670,768 B1 12/2003 Labant  
6,731,051 B2 5/2004 Oetken et al.  
D503,986 S \* 4/2005 Yiu ..... D26/2  
7,178,957 B2 2/2007 Schug et al.  
7,362,049 B2 4/2008 Raukas et al.

7,402,952 B2 \* 7/2008 Bunk ..... H01K 1/10  
313/315  
D586,483 S \* 2/2009 Elwell ..... D26/2  
7,670,037 B2 3/2010 Devir et al.  
D627,494 S \* 11/2010 Wu ..... D26/2  
8,084,928 B2 \* 12/2011 Auer ..... H01K 1/14  
313/272  
D701,331 S \* 3/2014 Xu ..... D26/2  
9,115,864 B2 \* 8/2015 Brown ..... F21V 9/04

\* cited by examiner

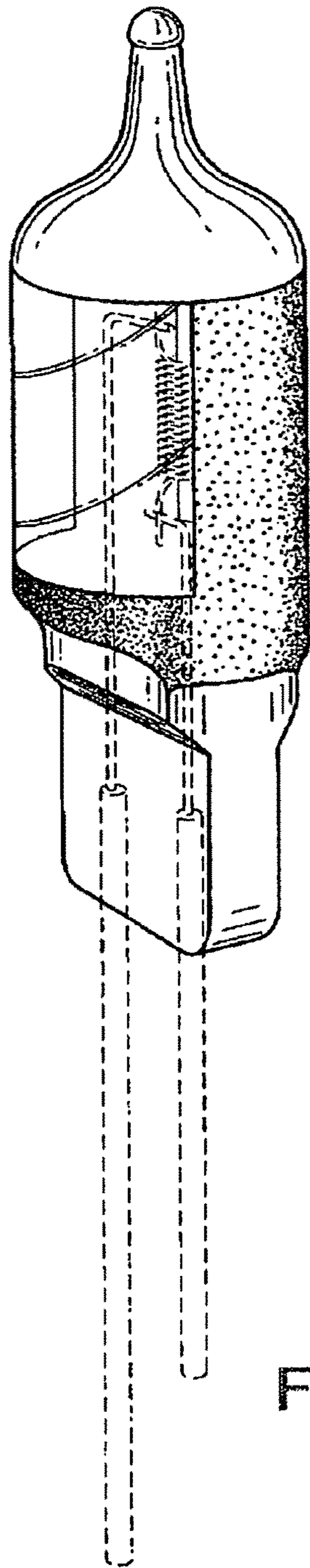


FIG. 1

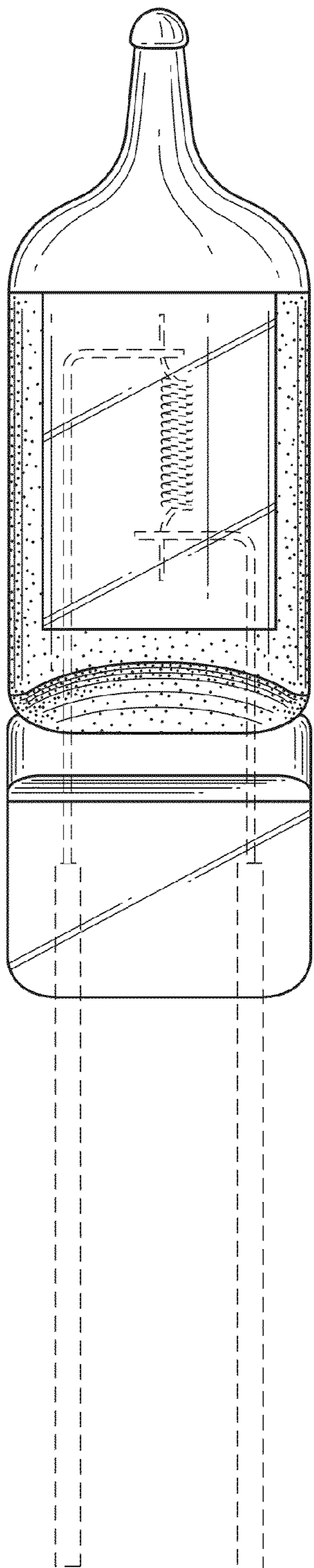


FIG. 2

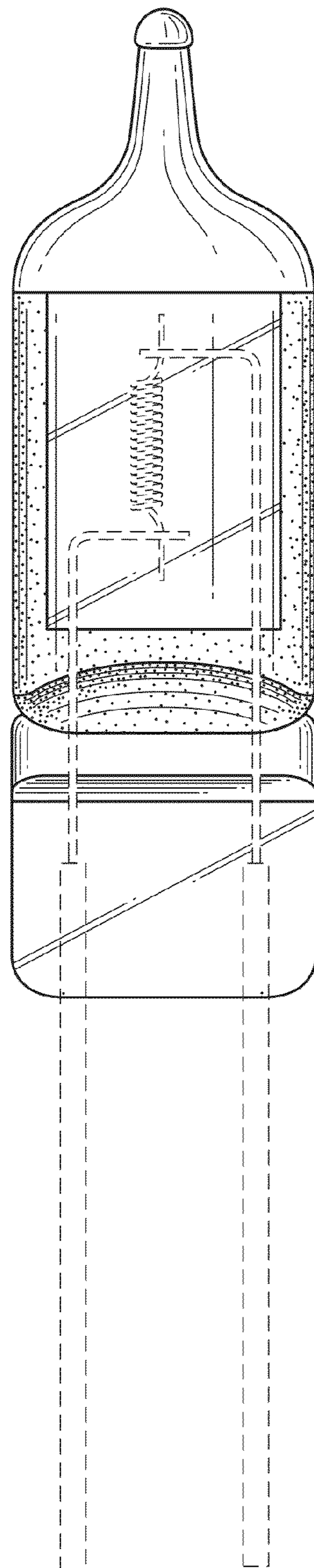


FIG. 3

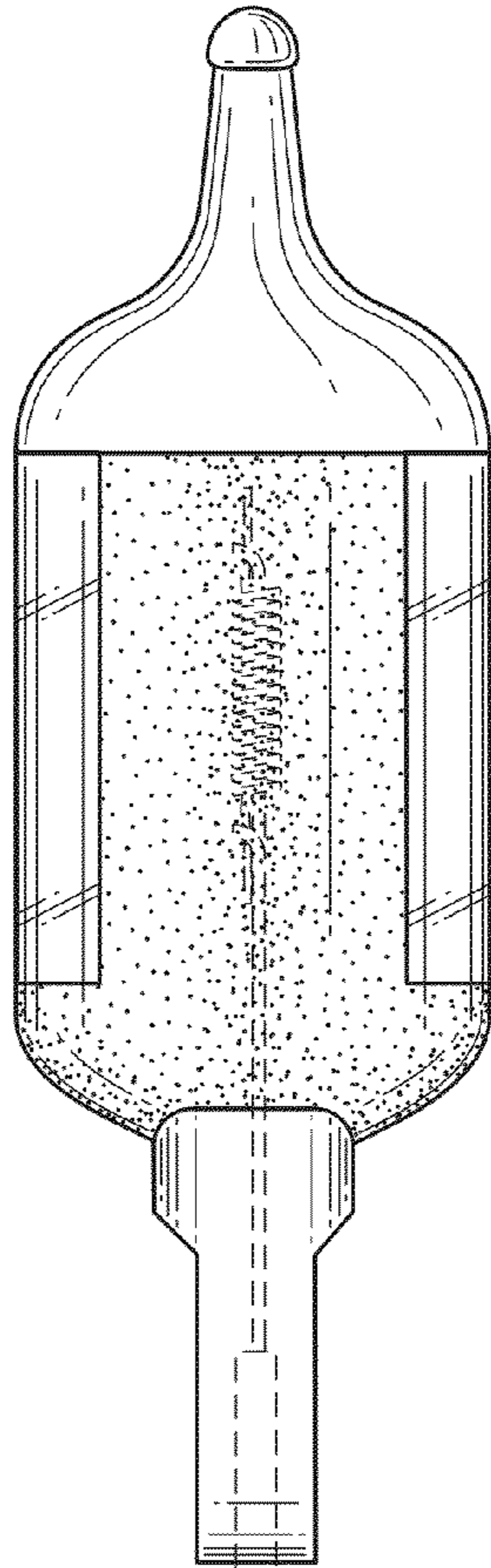


FIG. 4



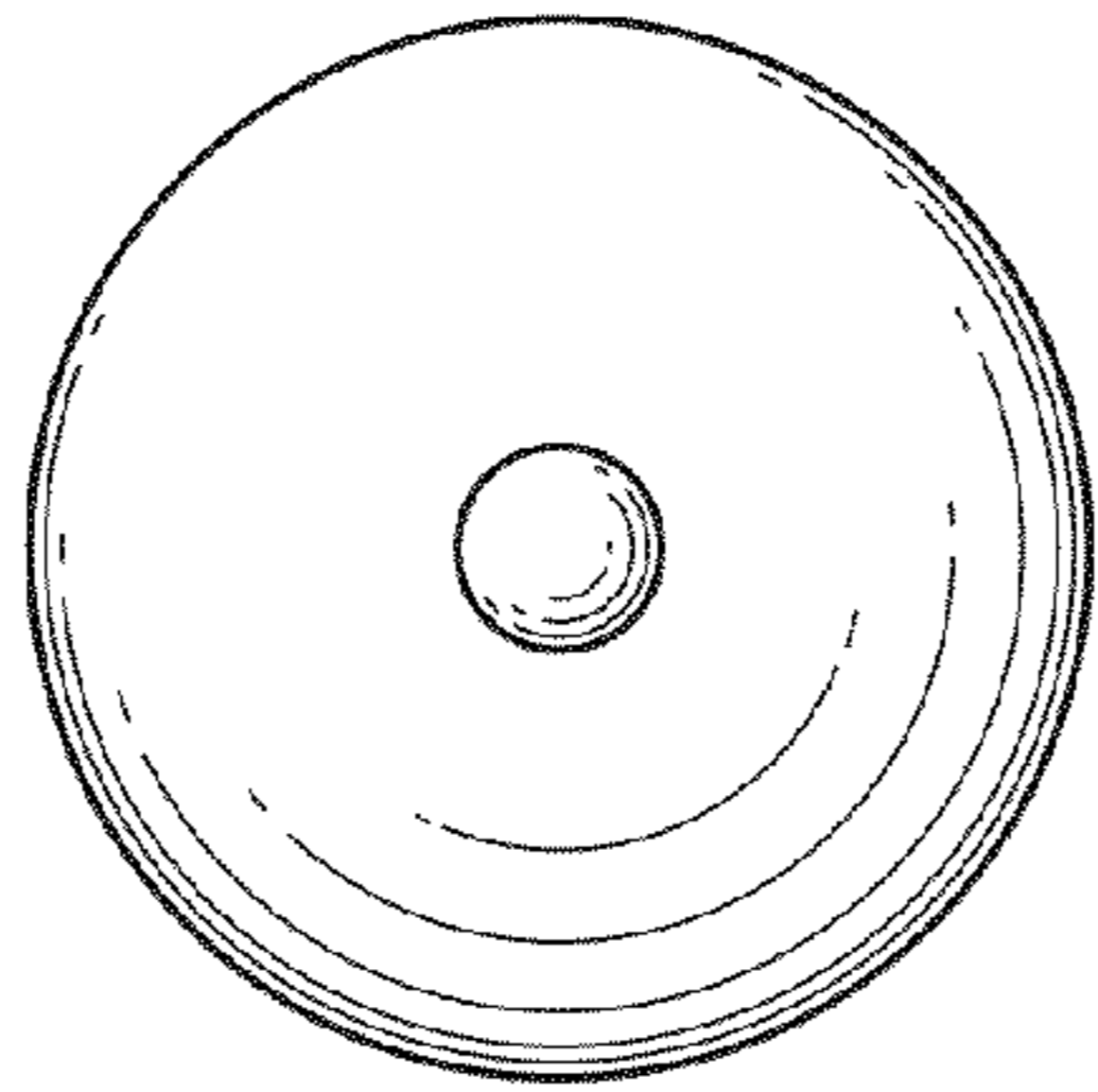


FIG. 5

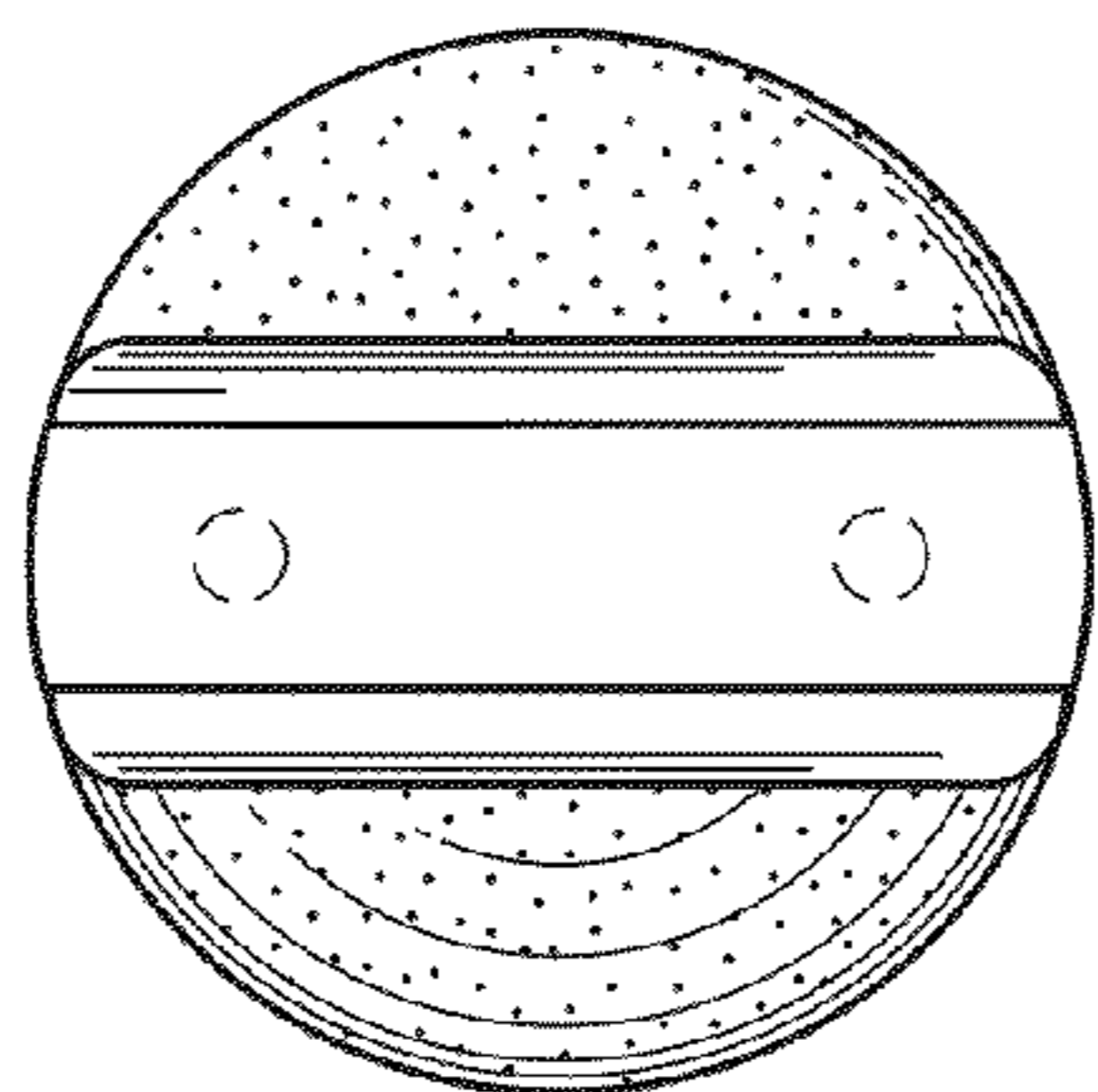


FIG. 6