



US00D757302S

(12) **United States Design Patent**
Copp

(10) **Patent No.:** **US D757,302 S**
(45) **Date of Patent:** **** May 24, 2016**

- (54) **LADDER BRACKET ASSEMBLY**
- (71) Applicant: **G. Michael Copp**, Strathroy (CA)
- (72) Inventor: **G. Michael Copp**, Strathroy (CA)
- (**) Term: **14 Years**
- (21) Appl. No.: **29/501,207**
- (22) Filed: **Sep. 2, 2014**

Related U.S. Application Data

- (63) Continuation-in-part of application No. 13/803,110, filed on Mar. 14, 2013, now abandoned.
- (51) **LOC (10) Cl.** **25-04**
- (52) **U.S. Cl.**
USPC **D25/68**
- (58) **Field of Classification Search**
USPC D25/62-69; 182/156, 152, 162, 112, 182/113, 215, 220, 120, 106, 23, 26, 115, 182/129, 201, 207, 103, 245, 2.11, 102, 182/151, 107, 21, 180.1, 194, 130, 132, 182/67.4, 157, 161, 230; 248/210, 205.1, 248/231.9
CPC E06C 7/188; E06C 7/14
See application file for complete search history.

(56) **References Cited**

U.S. PATENT DOCUMENTS

428,460	A	5/1890	Fleeman	
3,762,500	A	10/1973	Sarno	
4,546,855	A	10/1985	Lyons	
4,991,808	A *	2/1991	LaChance E06C 7/14 182/106
5,775,465	A	7/1998	Vossler	
6,533,069	B1	3/2003	Couillard	
6,837,338	B2	1/2005	Grover	
6,907,957	B1	6/2005	Couch	
7,137,482	B2 *	11/2006	Underhill E06C 7/482 182/107

7,530,767	B2	5/2009	Davidson, Sr.	
7,845,468	B2	12/2010	Stebinski	
D669,194	S	10/2012	Meyer et al.	
2005/0072630	A1 *	4/2005	Underhill E06C 7/48 182/107
2011/0315478	A1 *	12/2011	Foster, Sr. E06C 1/10 182/129
2012/0186066	A1	7/2012	Chilton	
2013/0199874	A1 *	8/2013	Davis, Jr. E06C 7/188 182/107
2014/0262615	A1 *	9/2014	Copp E06C 7/188 182/107
2015/0354279	A1 *	12/2015	Colon E06C 7/14 248/210

OTHER PUBLICATIONS

Construction Safety Association of Manitoba, Construction Safety Education Program #4, Ladder Safety, © 2007 Construction Safety Association of Manitoba. Relevant passages appear on p. 3 (eighth paragraph), and on p. 7 (first paragraph).

* cited by examiner

Primary Examiner — Cynthia Ramirez
Assistant Examiner — Gino Colan

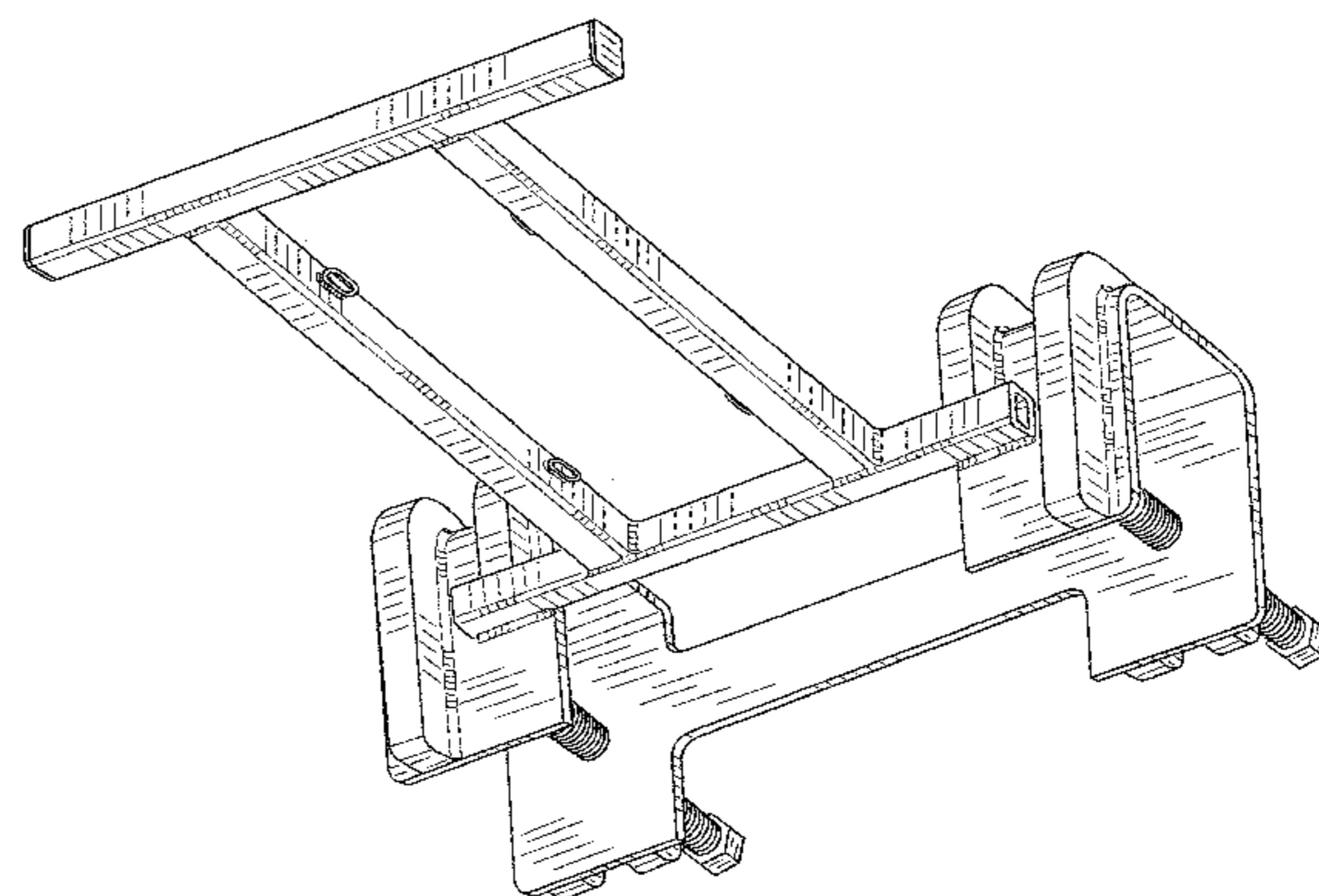
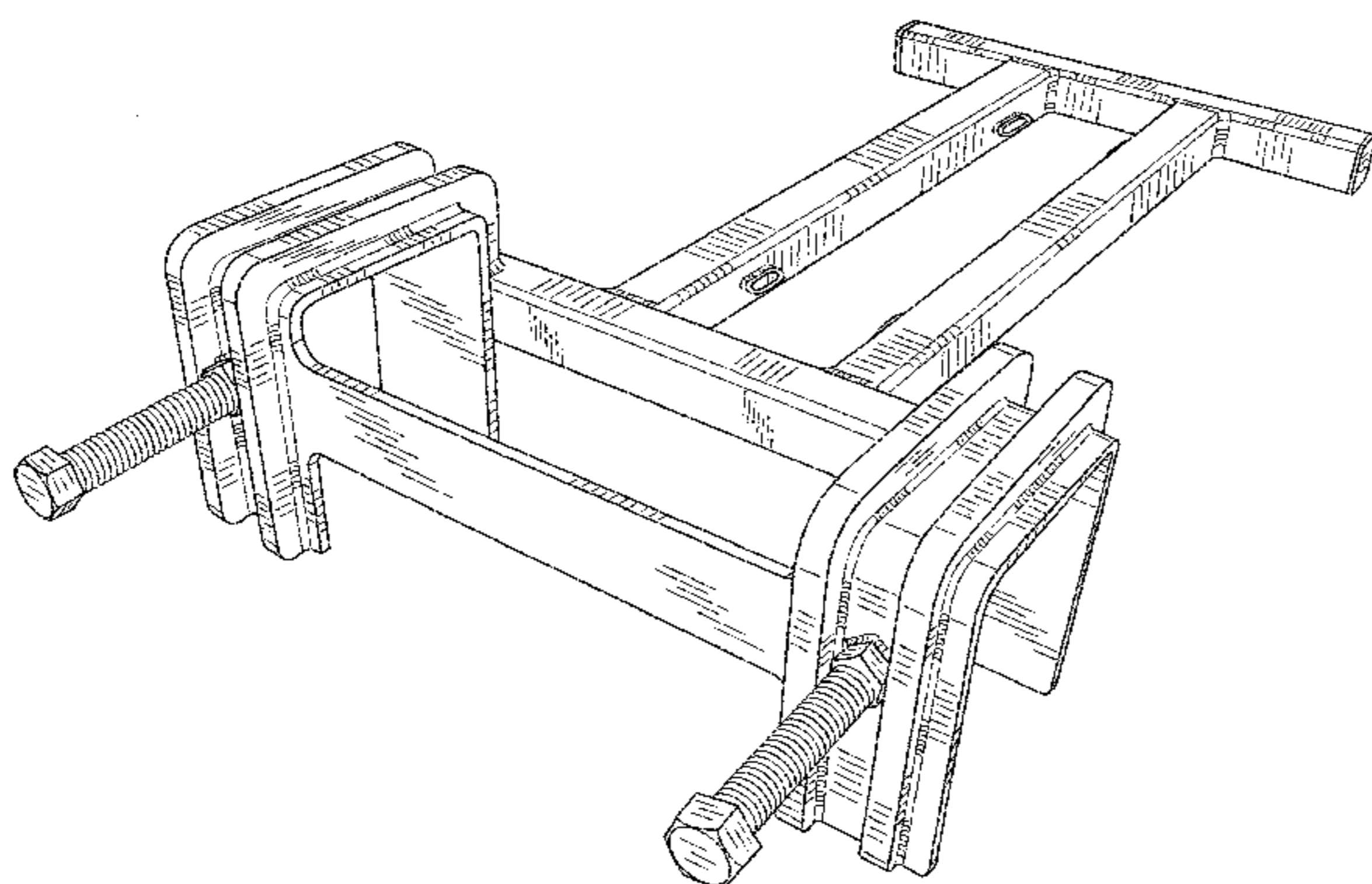
(57) **CLAIM**

The ornamental design for a ladder bracket assembly, as shown and described.

DESCRIPTION

FIG. 1 is an isometric view of the ladder bracket assembly showing my new design;
FIG. 2 is another isometric view thereof;
FIG. 3 is a front elevational view thereof;
FIG. 4 is a right elevational view thereof;
FIG. 5 is a rear elevational view thereof;
FIG. 6 is a left elevational view thereof;
FIG. 7 is a top plan view thereof; and,
FIG. 8 is a bottom plan view thereof.

1 Claim, 6 Drawing Sheets



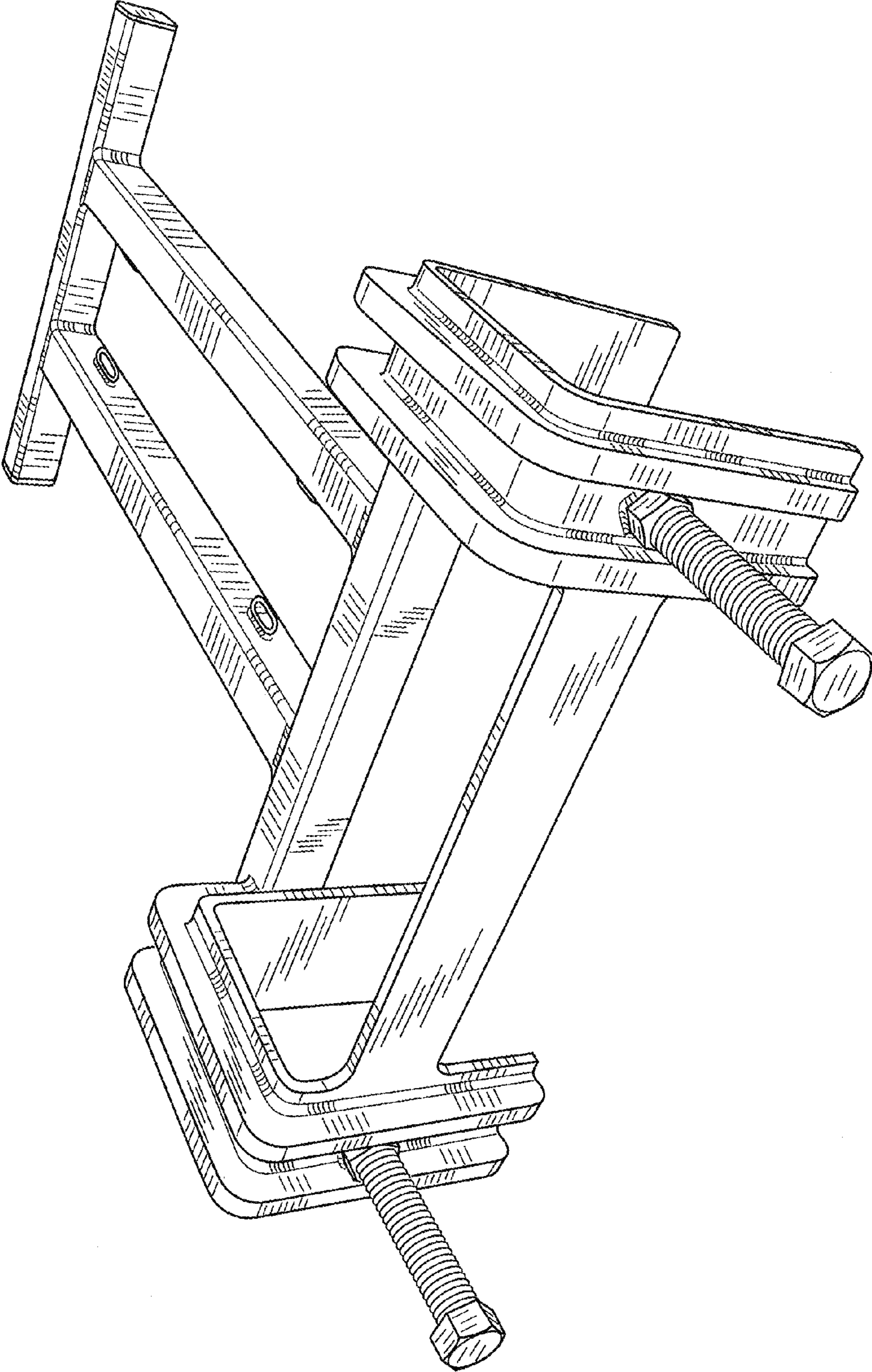


FIG. 1

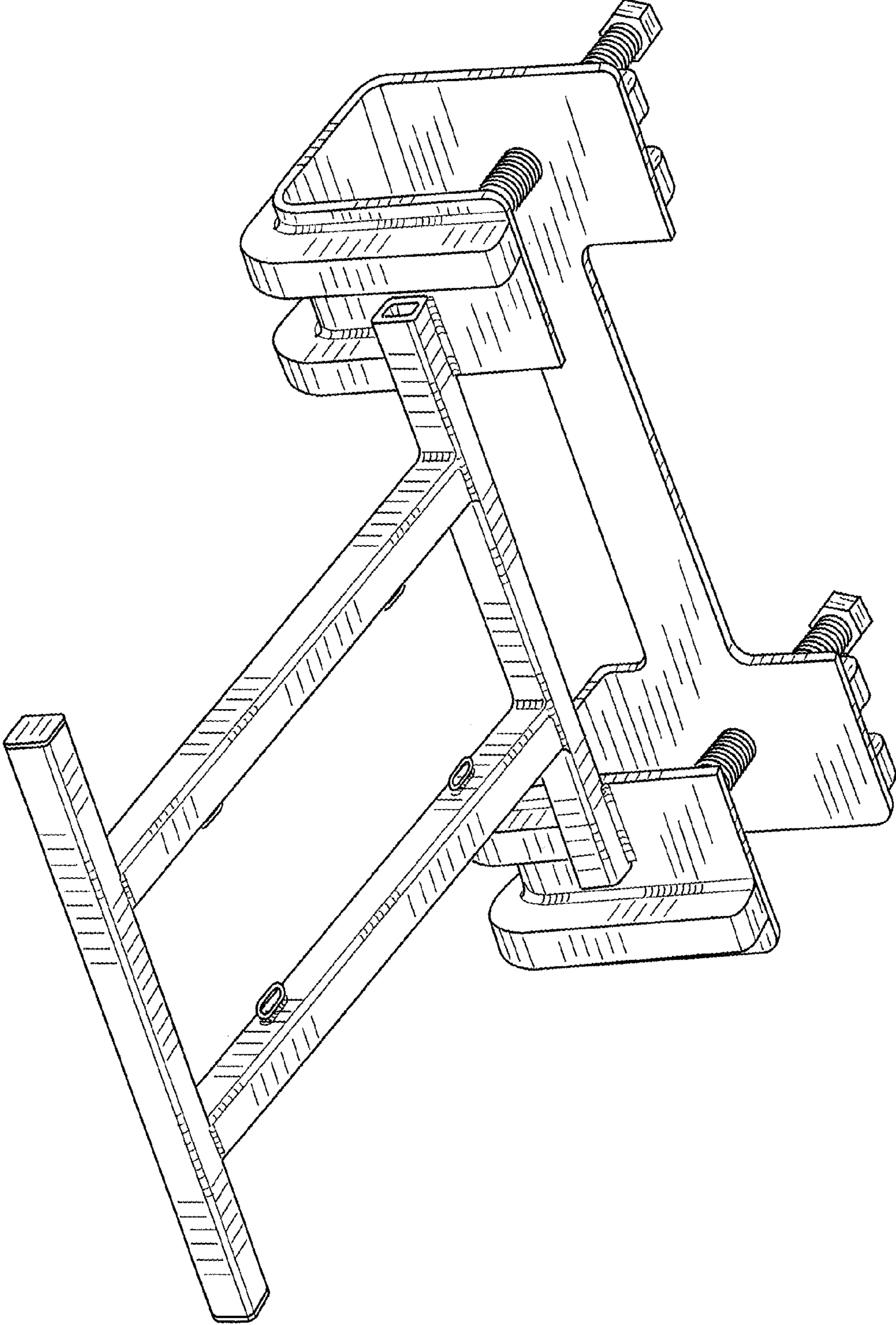


FIG. 2

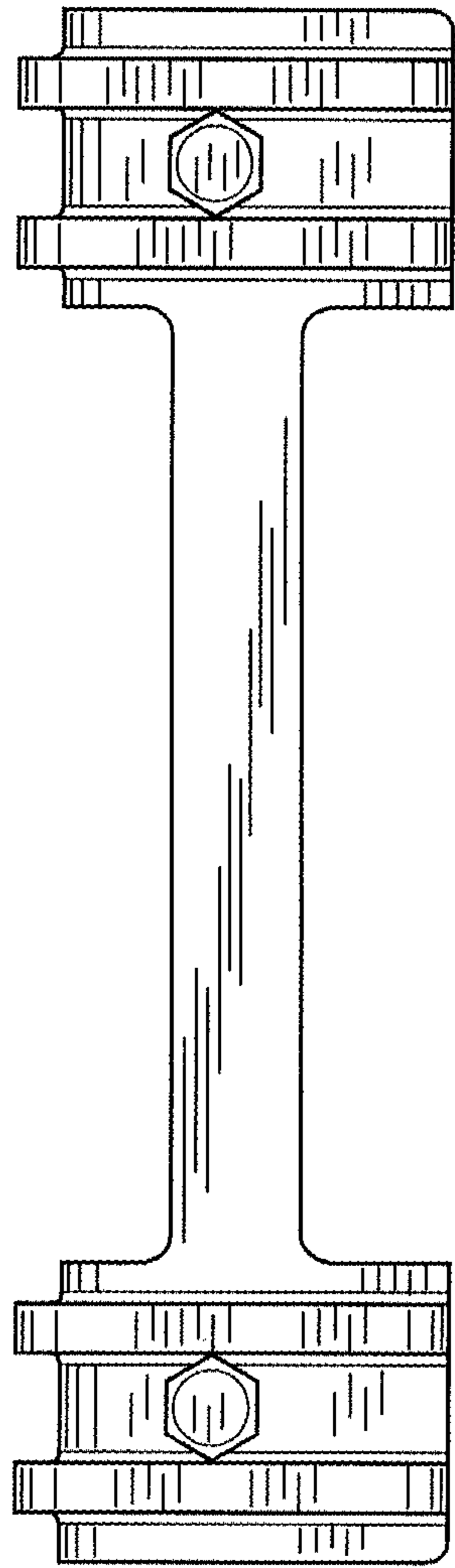


FIG. 3

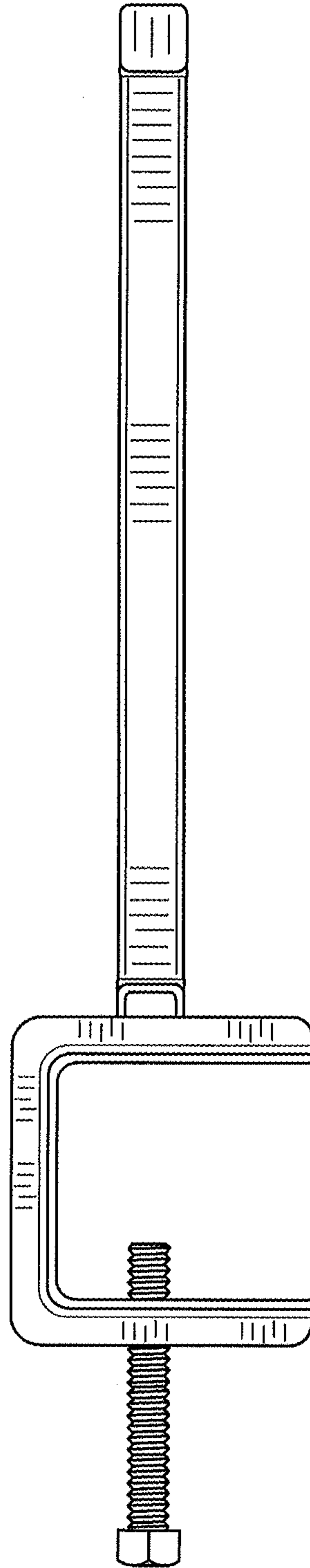


FIG. 4

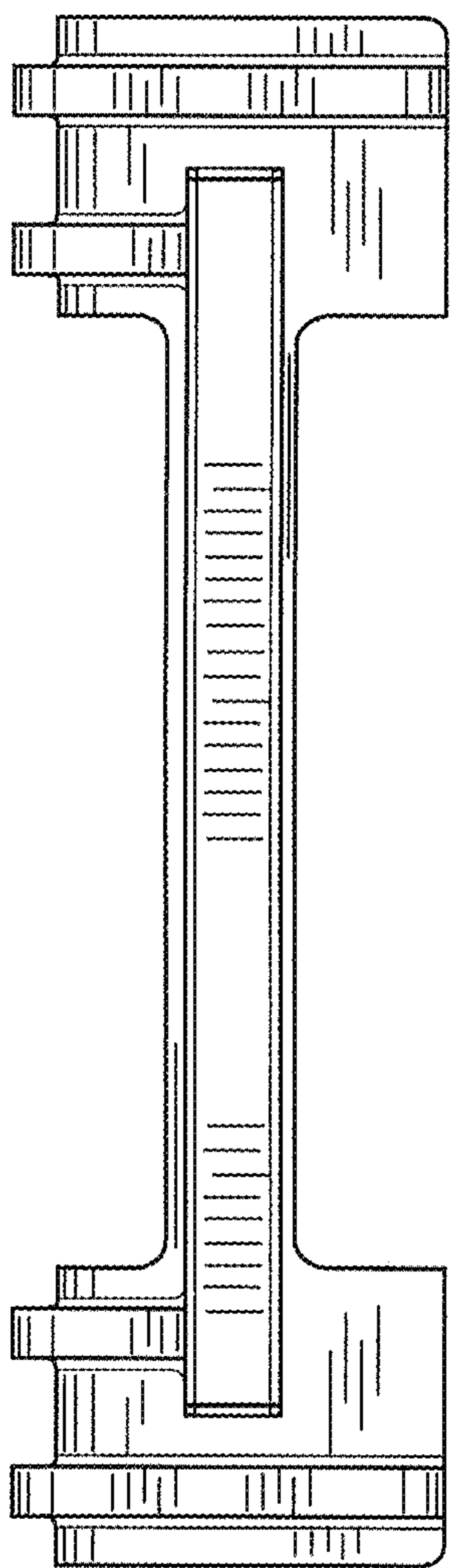


FIG. 5

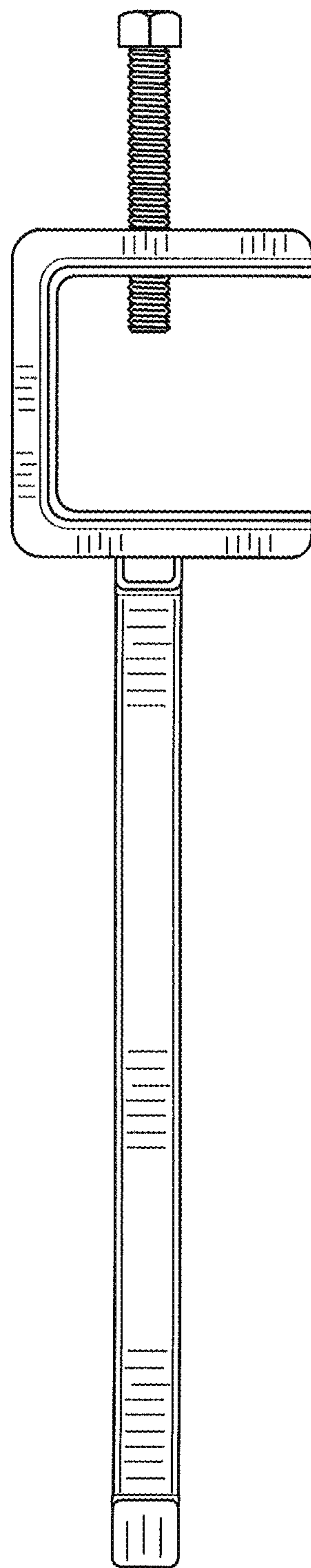


FIG. 6

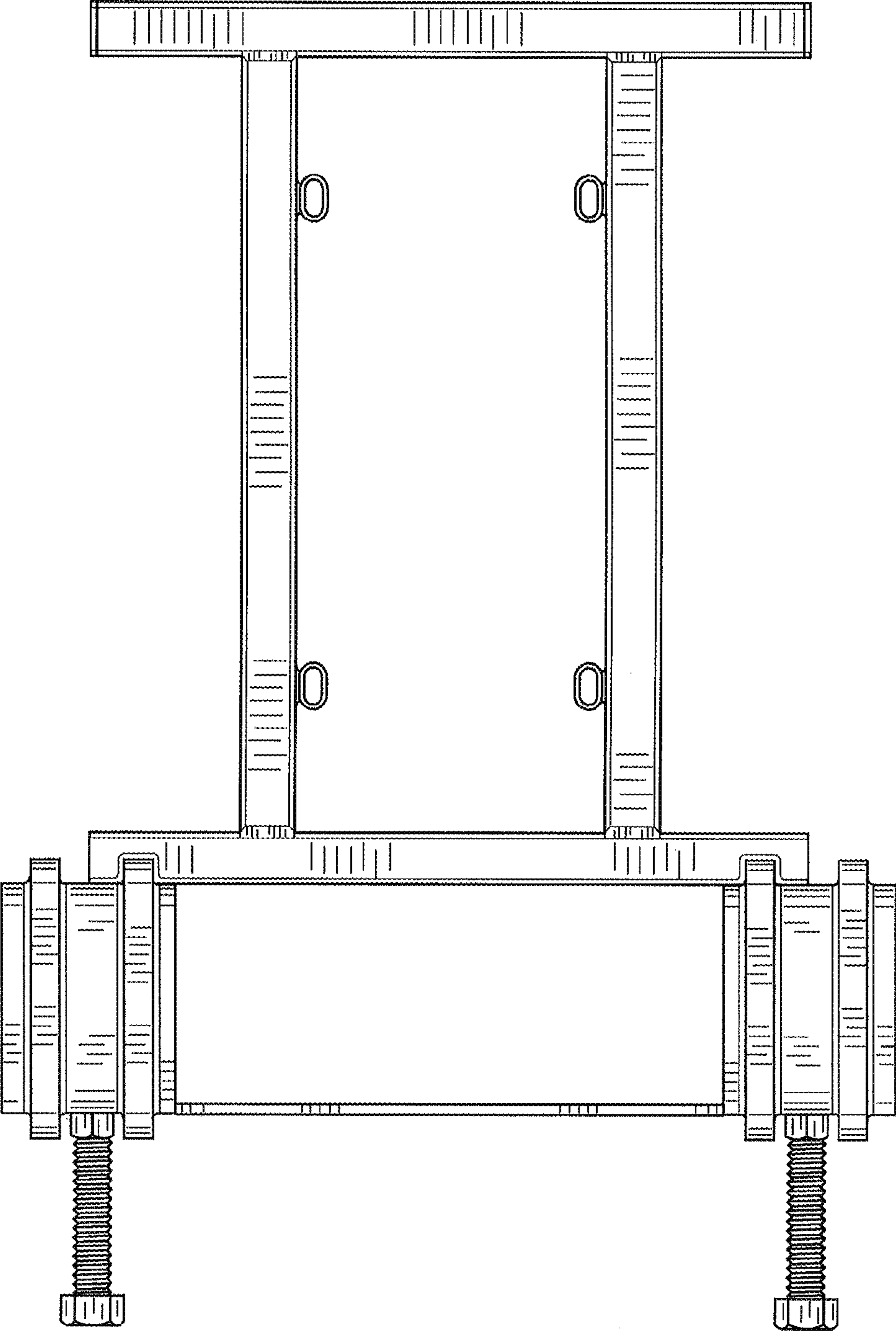


FIG. 7

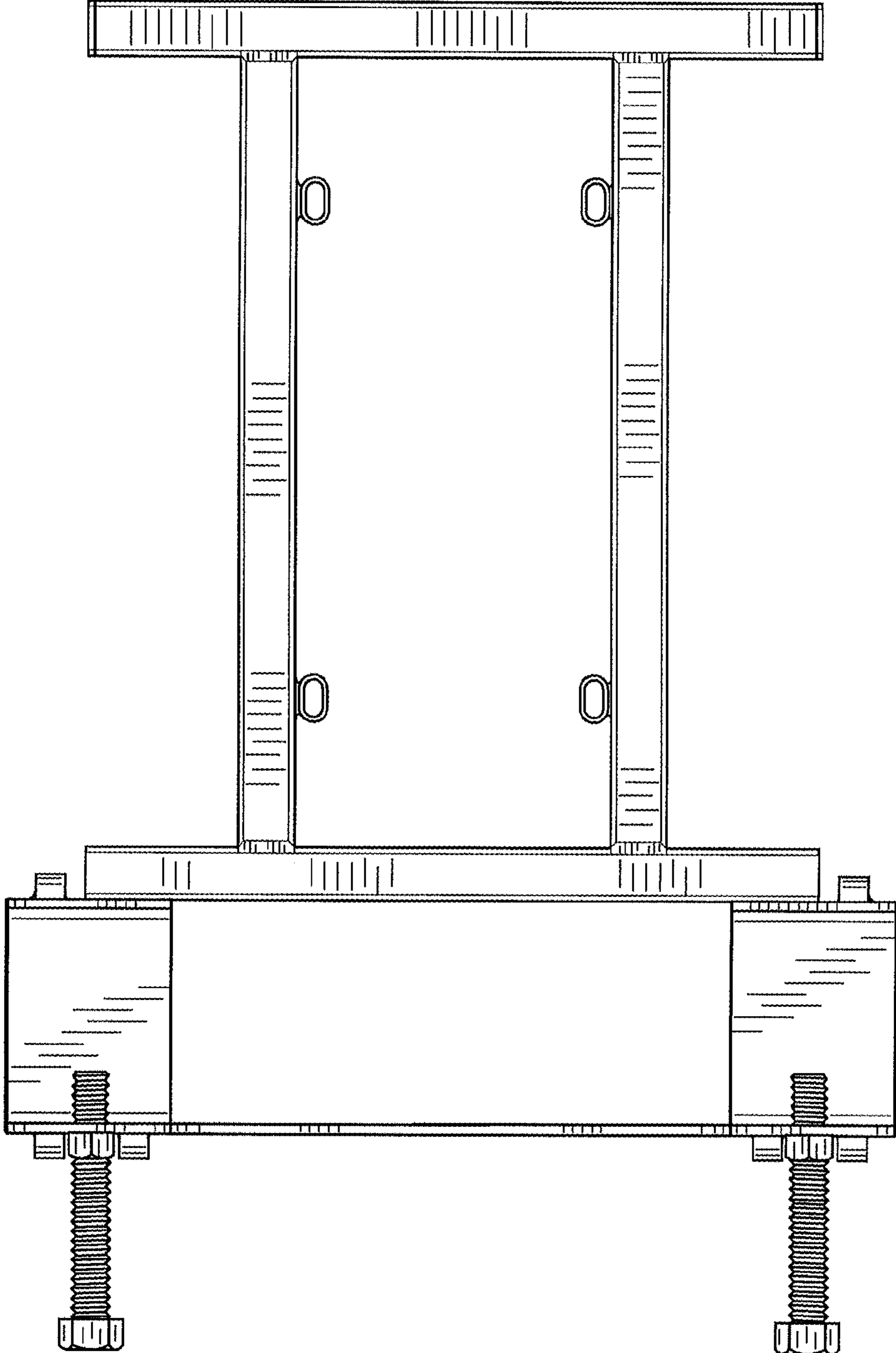


FIG. 8