



US00D757300S

(12) **United States Design Patent**
Haberland et al.

(10) **Patent No.:** **US D757,300 S**

(45) **Date of Patent:** **** May 24, 2016**

(54) **STILE**

FOREIGN PATENT DOCUMENTS

(71) Applicant: **Centor Design Pty Ltd**, Eagle Farm (AU)

BE 902207 A 8/1985
CA 2027827 4/1991

(Continued)

(72) Inventors: **Martin Haberland**, Wynnum West (AU); **Luke Massingham**, McDowall (AU); **David Wood**, Morningside (AU); **Andrew Cooksley**, Sunshine Beach (AU)

Primary Examiner — Susan Moon Lee

(74) *Attorney, Agent, or Firm* — Wells St. John P.S.

(73) Assignee: **Centor Design Pty Ltd**, Eagle Farm, Queensland (AU)

(57) **CLAIM**

We claim the ornamental design for a stile, as shown and described.

(**) Term: **14 Years**

DESCRIPTION

(21) Appl. No.: **29/477,173**

(22) Filed: **Dec. 19, 2013**

(30) **Foreign Application Priority Data**

Jun. 20, 2013 (AU) 12850/2013

(51) **LOC (10) Cl.** **25-02**

(52) **U.S. Cl.**
USPC **D25/60; D25/48.3; D25/48.4; D25/48.1**

(58) **Field of Classification Search**
USPC D25/60, 48.1, 48.3, 48.7, 48.8;
52/204.51, 204.1, 205, 207, 404.3, 64,
52/455, 717.01, 718.04, 585.1, 344, 481.1,

(Continued)

(56) **References Cited**

U.S. PATENT DOCUMENTS

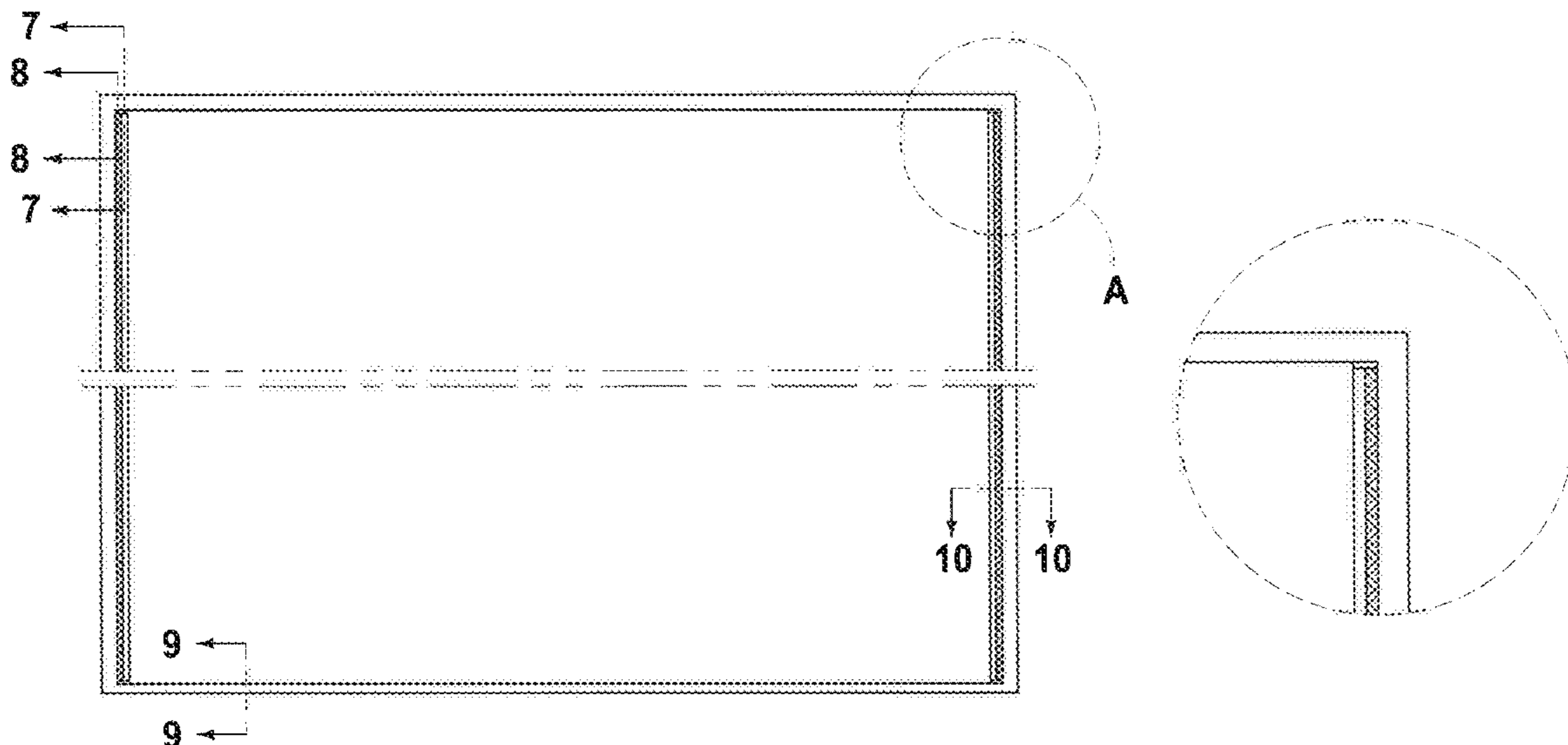
262,398 A 8/1882 Gerald
490,448 A 1/1893 Lugin

(Continued)

FIG. 1 is a perspective view of a design for a stile;
FIG. 2 is a front view thereof;
FIG. 3 is a rear view thereof;
FIG. 4 is a top view thereof, a bottom view being a mirror image of the FIG. 4 top view thereof;
FIG. 5 is a side view thereof, an opposite side view being a mirror image of the FIG. 5 side view thereof;
FIG. 6 is a fragmentary view taken from an area of FIG. 2 marked as "A" and illustrating a corner thereof;
FIG. 7 is a sectional view taken along sectional lines 7-7 of FIG. 2 thereof;
FIG. 8 is a sectional view taken along sectional lines 8-8 of FIG. 2 thereof;
FIG. 9 is a sectional view taken along sectional lines 9-9 of FIG. 2 thereof; and,
FIG. 10 is a sectional view taken along sectional lines 10-10 of FIG. 2 thereof.

The stile is shown with a symbolic break in its length. The appearance of any portion of the article between the break lines forms no part of the claimed design.

1 Claim, 4 Drawing Sheets



US D757,300 S

<p>(58) Field of Classification Search</p> <p>CPCR 52/309.11, 784.1, 656.2, 656.7, 656.4, 52/656.5; 49/404, 460, 235, 208, 226, 49/234, 425, 409, 137, 138, 410, 323, 450, 49/506, 387, 503, 131, 139, 142, 152, 156, 49/163, 169, 170, 174, 176, 180, 303, 307, 49/324, 354, 370, 504; 16/61-85, 49, 86 R, 16/86 A, 86 B, 86 C; 359/450, 443, 454, 359/459, 461; 160/267.1, 265, 310, 98, 26, 160/271, 274, 279, 201, 202-206, 214, 232, 160/371; 292/336.3, 39, DIG. 46, DIG. 20, 292/DIG. 47; 24/457, 462; 428/71, 119, 428/311.51, 319.1, 76, 83, 920</p> <p>CPC E06B 9/54; E06B 9/24; E06B 9/42; E06B 9/56; E06B 9/62; E06B 3/46; E06B 3/4636; E06B 3/74; E06B 3/28; E06B 2009/543; E06B 2003/7011; E06B 2003/7013; E06B 2003/7059; E06B 2003/7061; E06B 2003/7063; E06B 1/0092; E06B 1/62; E06B 1/00; E06B 1/003; E06B 1/02; E06B 1/04; E06B 1/045; E06B 1/06; E06B 1/1628; E06B 1/30; E06B 1/40; E06B 1/52; E06B 1/526; E06B 5/00; E06B 5/006; E06B 65/0811; E06B 65/08; E06B 3/06; E06B 3/4609; E06B 3/4654; E06B 3/4645; E06B 3/4878; E06B 2003/7086; E06B 2003/7088; E06B 2003/7092; E06B 2003/7096; E06B 3/72; E06B 3/725; E06B 3/78; E06B 3/82; E06B 3/822; E06B 3/825; E06B 3/70; E06B 7/16; E06B 7/00; E06B 9/52; E06B 11/00; E06B 11/02; E06B 11/022; E06B 11/026; E06B 11/045; E06B 5/003; E06B 5/02; E06B 5/025; E06B 5/04; E06B 5/06; E06B 5/106; E06B 5/113; E05Y 2900/132; E05Y 2900/136; E05Y 2900/148; E05Y 2900/14; E05Y 2900/142; E05Y 2900/212; E05Y 2900/00; E05Y 2900/10; E05Y 2201/412; E05Y 2201/488; E05Y 2201/48; E05Y 2201/652; E05Y 2201/256; E05Y 2201/264; E05Y 2201/41; E05Y 2201/21; E05Y 2201/242; E05Y 2201/26; E05Y 2201/266; E05Y 2201/482; E05Y 2201/654; E05Y 2201/664; E05Y 2600/12; E05Y 2800/24; Y10T 292/57; Y10T 292/0843; Y10T 24/44017; Y10T 24/4406; Y10T 70/5761; Y10T 70/5279; Y10T 16/593; Y10T 16/27; Y10T 16/61; Y10T 16/56; Y10T 16/568; Y10T 16/577; Y10T 16/287; Y10T 16/602; Y10T 16/597; Y10T 16/293; Y10T 428/195; Y10T 428/24174; Y10T 428/239; Y10T 428/233; G03B 21/56; G03B 21/58; E05D 13/1276; E05D 15/08; E05F 5/003; E05F 5/10; E05F 1/16; E05F 1/025; E05F 1/002; E05F 1/00; E05F 1/008; E05F 1/08; E05F 11/54; E05F 3/04; E05F 3/227; E05F 3/02; E05F 3/16; E05F 15/632; E05F 2700/00-2700/04; E05B 5/00; E05B 65/0876; E05B 65/0014; E05C 9/041; E05C 9/047; E05C 21/00; E04H 1/1216; E04C 2/386; E04C 2/384; E04C 2/284; Y10S 428/92</p> <p>See application file for complete search history.</p>	<p>1,385,131 A 7/1921 Horn 1,594,812 A 8/1928 Blackburn 1,731,659 A * 10/1929 Greitzer E05D 15/0665 16/100 1,740,622 A * 12/1929 Owens E06B 3/5878 52/204.591 1,760,612 A 6/1930 Trott 1,964,114 A 6/1934 Gerlach 2,013,600 A 9/1935 O'Connor 2,950,756 A * 8/1960 Moloney E05D 15/0669 16/105 3,119,474 A * 1/1964 Grossman E05C 9/041 292/39 3,137,491 A * 6/1964 Coenen B60J 7/057 296/223 3,386,489 A 6/1968 Denton et al. 3,466,805 A * 9/1969 Muessel E05D 15/0604 49/141 3,556,573 A 1/1971 Miller 3,710,839 A * 1/1973 Andres E06B 9/52 160/372 3,785,913 A * 1/1974 Hallamore E04C 2/284 156/71 3,887,962 A * 6/1975 Mills E05F 1/16 16/200 4,083,149 A * 4/1978 Hickman A01K 1/007 49/147 4,195,681 A * 4/1980 Douglas E06B 9/52 160/371 4,341,255 A * 7/1982 Mock E06B 3/28 160/368.1 4,406,519 A 9/1983 Shaw 4,453,346 A * 6/1984 Powell A47K 3/34 411/535 4,475,313 A * 10/1984 Governale E05B 65/0811 292/101 4,649,598 A * 3/1987 Kinsey E05F 1/025 16/81 4,675,938 A * 6/1987 Bundschuh E05F 3/16 16/63 4,691,753 A 9/1987 Baier 4,819,295 A * 4/1989 Kaftan E05F 1/16 16/71 4,823,859 A 4/1989 Park 4,881,768 A * 11/1989 Lange E06B 3/4609 292/251 4,891,911 A * 1/1990 Yung E05F 1/025 16/81 5,251,402 A * 10/1993 Richardson E05D 15/08 16/49 5,285,596 A * 2/1994 Kinsey E05B 65/0876 16/81 5,291,687 A * 3/1994 Abad E04G 21/30 29/235 5,365,636 A * 11/1994 Jensen E05F 1/16 16/67 5,390,686 A 2/1995 Farr 5,522,314 A 6/1996 Newman, Jr. 5,533,314 A * 7/1996 Kunert B32B 3/10 156/109 5,579,607 A * 12/1996 Braid E05F 1/025 16/81 5,659,888 A 8/1997 Benson 5,671,790 A * 9/1997 Andersen E06B 9/54 160/24 5,718,082 A * 2/1998 Mori E05B 17/0012 206/325 5,732,760 A * 3/1998 Pattison E06B 3/28 160/371 5,758,704 A 6/1998 Elrod 5,868,191 A * 2/1999 Blackmon, Jr. A47H 21/00 160/237 5,884,361 A * 3/1999 Richardson E05D 15/0665 16/100 5,979,533 A * 11/1999 Dupuie F24F 1/0003 160/240 6,070,642 A * 6/2000 Douglas E06B 9/54 160/290.1</p>
--	--

(56) **References Cited**

U.S. PATENT DOCUMENTS

520,065 A	5/1894	Lugrin
1,121,898 A	12/1914	Davis
1,134,326 A	4/1915	Gambon
1,330,447 A	2/1920	Pech

(56)

References Cited

U.S. PATENT DOCUMENTS

6,276,091 B1 * 8/2001 Ridgway E05B 65/0864
49/125
6,357,808 B1 * 3/2002 Supernat E05B 9/082
16/412
6,470,639 B1 * 10/2002 Horn E06B 9/02
29/897.32
6,578,320 B1 * 6/2003 Munton E05F 1/16
49/363
6,672,366 B1 * 1/2004 Wade E06B 9/24
160/368.1
6,691,465 B1 * 2/2004 Stephan E05F 1/16
16/72
6,735,820 B1 * 5/2004 Teutsch E05F 1/00
16/197
6,742,565 B2 6/2004 Badley
6,766,847 B1 * 7/2004 Wang E06B 3/481
160/190
6,789,601 B2 * 9/2004 Rooth E05B 1/0015
160/371
6,826,867 B1 * 12/2004 McDonald E05B 65/0835
49/209
6,918,426 B1 * 7/2005 Westby E06B 9/24
160/368.1
6,932,395 B1 * 8/2005 du Bois B60J 9/00
292/125
6,938,665 B2 9/2005 Ulriksen
6,938,666 B1 * 9/2005 Ulriksen E06B 9/08
160/265
D520,334 S 5/2006 Christie
7,240,400 B2 7/2007 Bonham
D605,929 S * 12/2009 Samuels D8/339
7,640,712 B1 * 1/2010 Eshelman E06B 3/5842
52/456
7,644,542 B2 * 1/2010 Ambrozus E05D 15/0669
49/411
7,710,646 B2 5/2010 Stewart et al.
D625,838 S * 10/2010 Walsh D25/136
D637,358 S * 5/2011 Greenthal D30/108
8,006,436 B2 * 8/2011 McDaniel E06B 3/4609
49/366
8,096,342 B2 * 1/2012 Scruggs E05D 15/0626
160/211
8,215,061 B2 * 7/2012 Gosling E05F 5/10
49/137
8,372,508 B2 * 2/2013 Reuter E06B 3/285
428/192
8,381,557 B2 2/2013 Mak
8,496,277 B2 * 7/2013 Commons E05B 1/0092
292/336.3
D688,493 S * 8/2013 Woods D6/661
8,510,912 B2 * 8/2013 Tarrega Lloret E05F 1/16
16/63
8,533,997 B2 * 9/2013 Stoutenborough E05B 5/00
292/336.3
8,713,875 B2 * 5/2014 Loomis E04C 2/546
52/308
8,915,020 B2 * 12/2014 Sauter E06B 7/2318
187/400
D750,091 S * 2/2016 Park D14/451
2002/0157320 A1 * 10/2002 Papp E05C 19/066
49/449
2003/0000163 A1 * 1/2003 Lamanna E06B 3/5892
52/204.62
2003/0041522 A1 * 3/2003 Cauchon E05F 1/025
49/404
2003/0079844 A1 * 5/2003 DeBlolck E06B 9/54
160/31
2003/0205015 A1 * 11/2003 Birmingham A47B 96/201
52/455
2004/0154753 A1 * 8/2004 Tagtow E06B 9/54
160/23.1
2004/0154758 A1 8/2004 Cheng
2004/0168387 A1 * 9/2004 Nelson E06B 1/62
52/344
2005/0051283 A1 3/2005 Chatellard

2005/0077017 A1 4/2005 Ramsey
2005/0161175 A1 7/2005 Tussinger
2006/0086052 A1 * 4/2006 Petta B29C 47/0028
49/404
2006/0090858 A1 5/2006 Heidenreich
2006/0174576 A1 * 8/2006 Lesson E04H 1/1216
52/585.1
2006/0249262 A1 * 11/2006 Tetu E06B 9/54
160/98
2008/0062516 A1 3/2008 Stewart et al.
2008/0148790 A1 * 6/2008 Friese E05B 65/0025
70/101
2008/0163988 A1 * 7/2008 Hicks E06B 9/54
160/267.1
2009/0025296 A1 * 1/2009 Petner E05F 15/652
49/130
2009/0044466 A1 * 2/2009 Andres E04F 19/02
52/204.53
2009/0165405 A1 * 7/2009 Fagan E06B 3/78
52/204.1
2009/0313902 A1 * 12/2009 Brisbois E06B 3/88
49/460
2010/0095596 A1 * 4/2010 Luca A47K 3/34
49/360
2010/0197214 A1 * 8/2010 Geremia, Sr. E06B 7/03
454/195
2011/0315328 A1 * 12/2011 Hazel E06B 9/60
160/313
2012/0073205 A1 * 3/2012 Hamaker E06B 3/5072
49/163
2012/0233928 A1 * 9/2012 Kuo G06F 1/181
49/460
2012/0255230 A1 * 10/2012 Smith E05D 15/48
49/257
2012/0256527 A1 * 10/2012 He A47B 46/00
312/330.1
2013/0020815 A1 * 1/2013 Smith E05C 17/56
292/251.5
2014/0041305 A1 * 2/2014 Gazda E05D 15/0656
49/360
2014/0259943 A1 * 9/2014 Balbach E06B 3/4636
49/404
2014/0352220 A1 * 12/2014 Rees H04N 1/00
49/164
2015/0047263 A1 * 2/2015 Aguayo E04C 2/38
49/404
2015/0121764 A1 * 5/2015 Lee E05D 15/0665
49/420
2015/0345204 A1 * 12/2015 Vandervelden E05D 15/0626
49/352
2015/0354258 A1 * 12/2015 Geysels E04F 21/0023
49/425
2015/0361718 A1 * 12/2015 Hummel E06B 9/54
160/189
2016/0047155 A1 * 2/2016 Taddei E05F 15/686
49/31
2016/0060936 A1 * 3/2016 Nilsson E05F 5/003
49/420

FOREIGN PATENT DOCUMENTS

CN 2237105 10/1996
DE 3936913 5/1991
DE 19807541 7/1999
EP 0207040 12/1986
EP 0429898 6/1991
EP 0911476 A1 10/1997
EP 0911476 B1 10/1997
EP 07718977 11/2012
EP 13179466 12/2013
FR 2546226 11/1984
FR 2668518 7/1985
FR 2563860 11/1985
FR 2694173 A1 8/1987
FR 2686372 7/1993
JP 9303068 11/1997
JP 10072988 3/1998
WO WO 87/04485 7/1987

(56)

References Cited

FOREIGN PATENT DOCUMENTS

WO PCT/AU2007/000731
WO PCT/AU2007/000731

2/2008
5/2008

WO PCT/AU2007/000731 8/2007

* cited by examiner

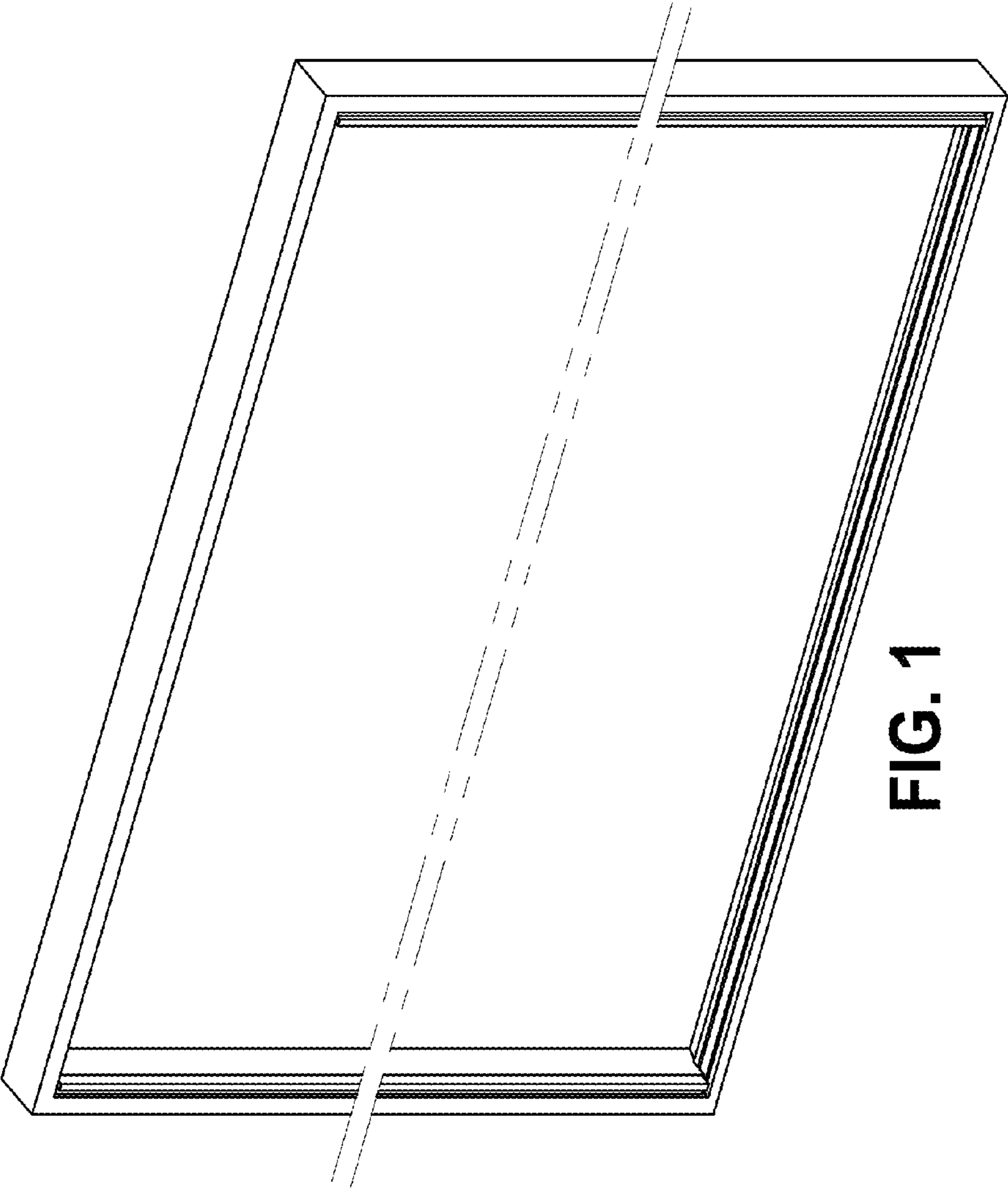


FIG. 1

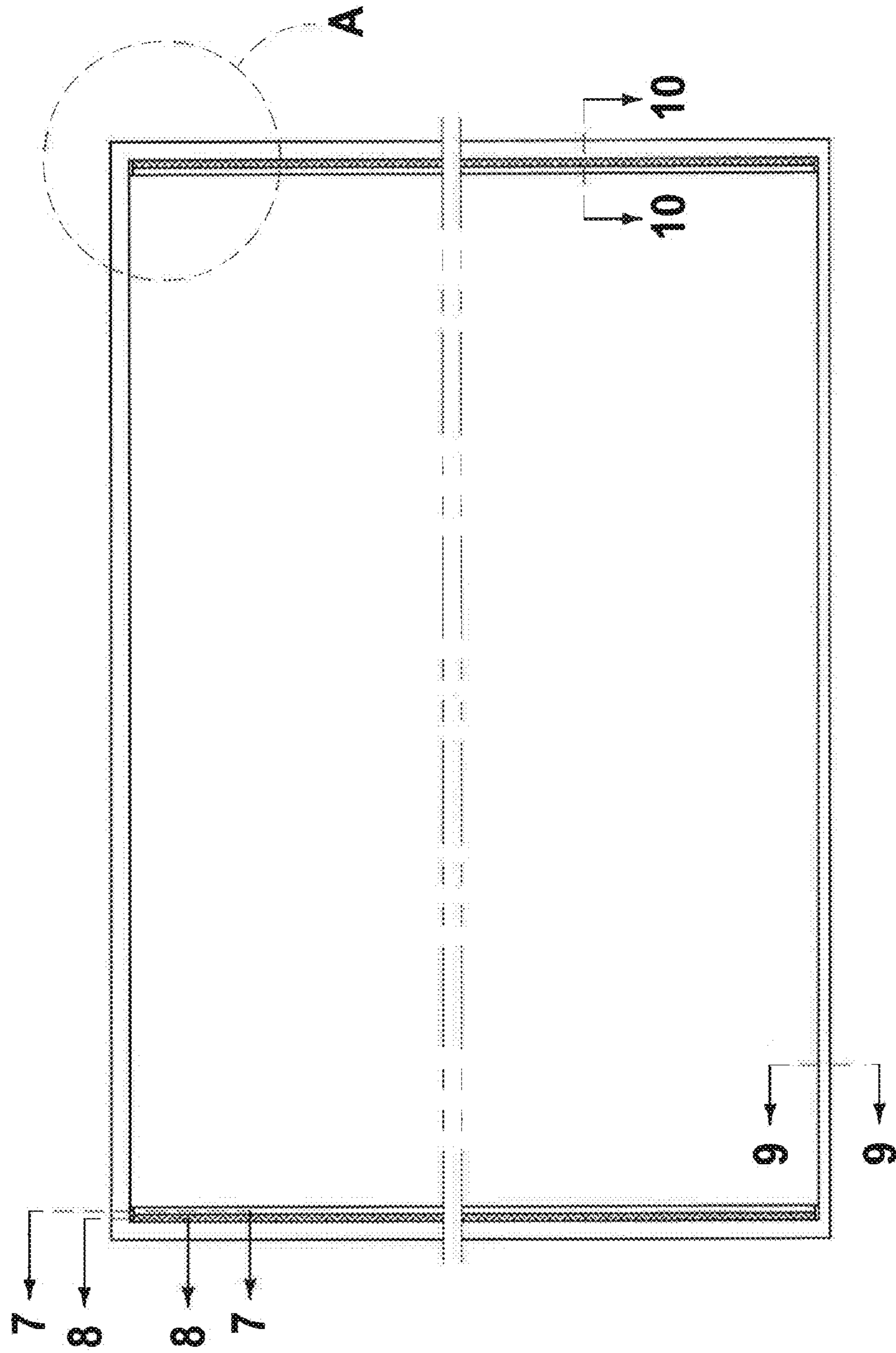


FIG. 2

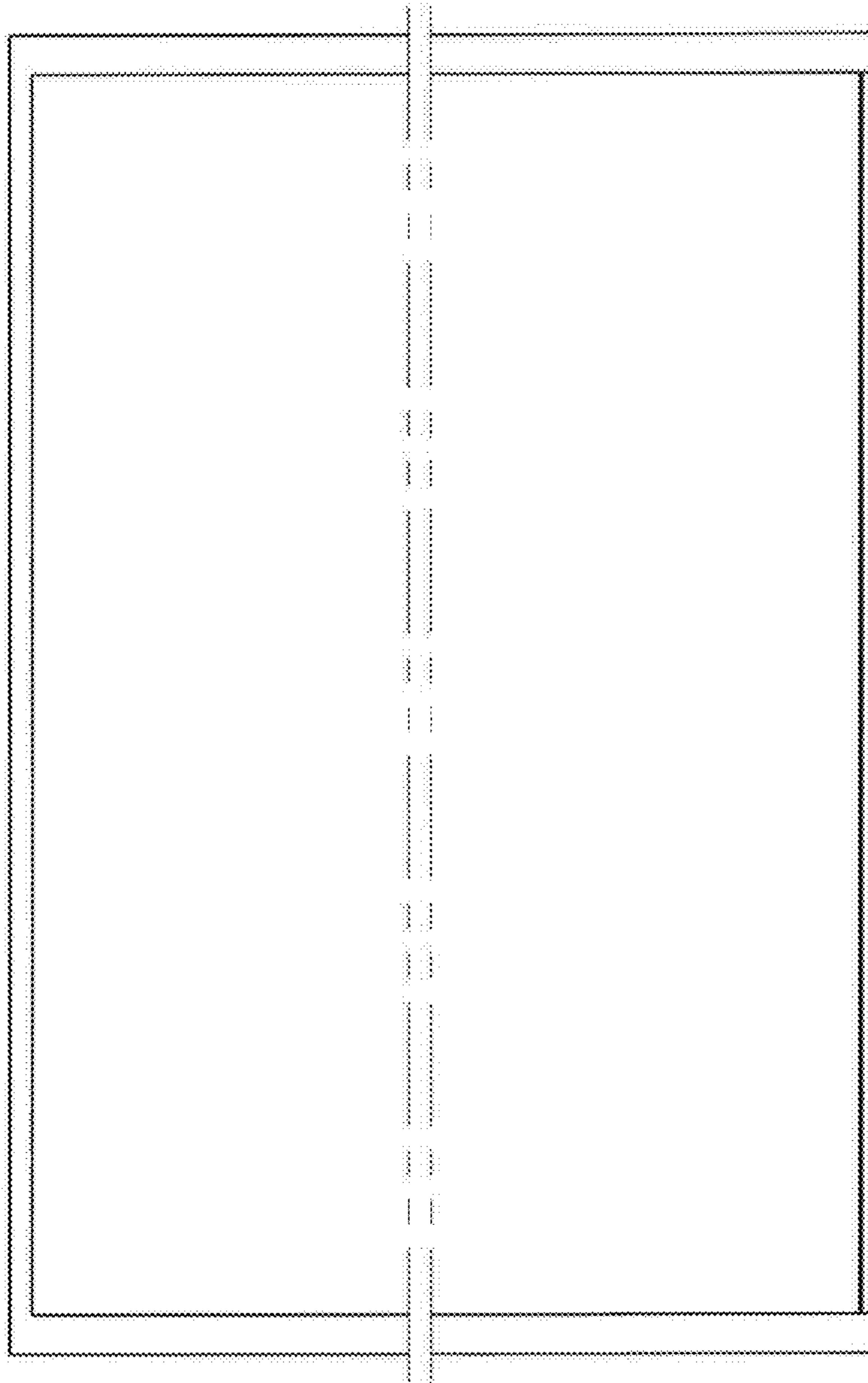


FIG. 3

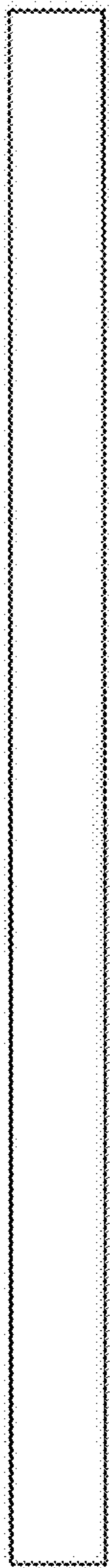


FIG. 4



FIG. 5

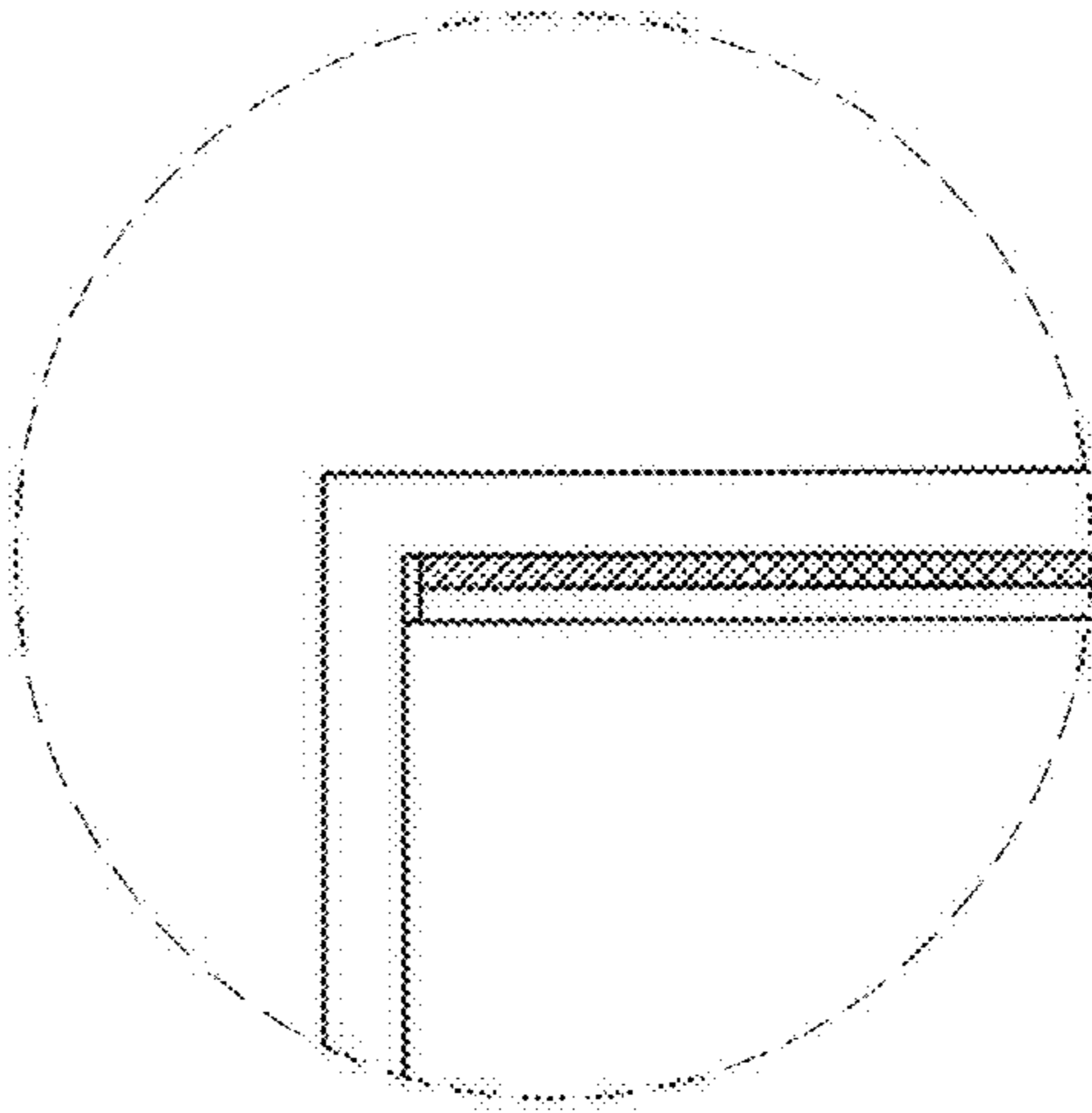


FIG. 6

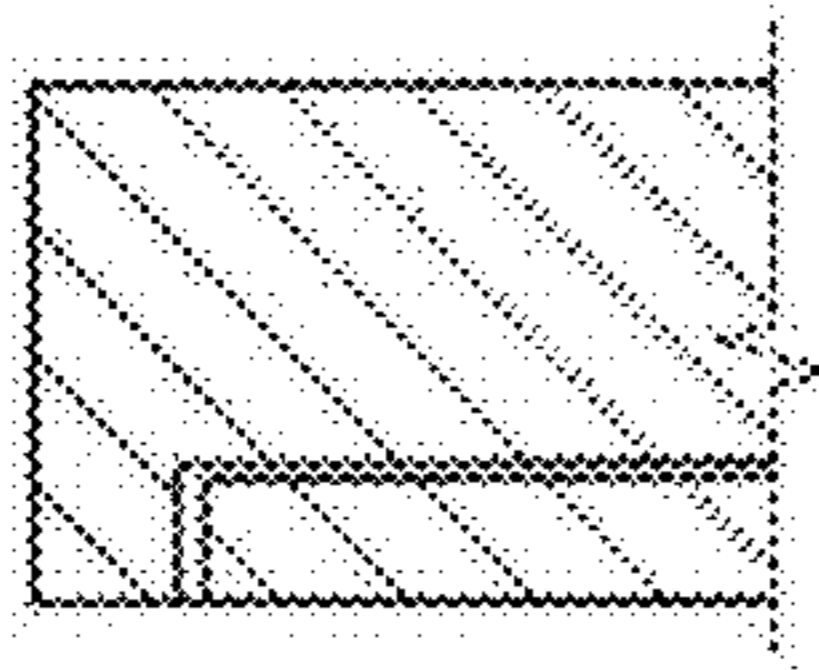


FIG. 7

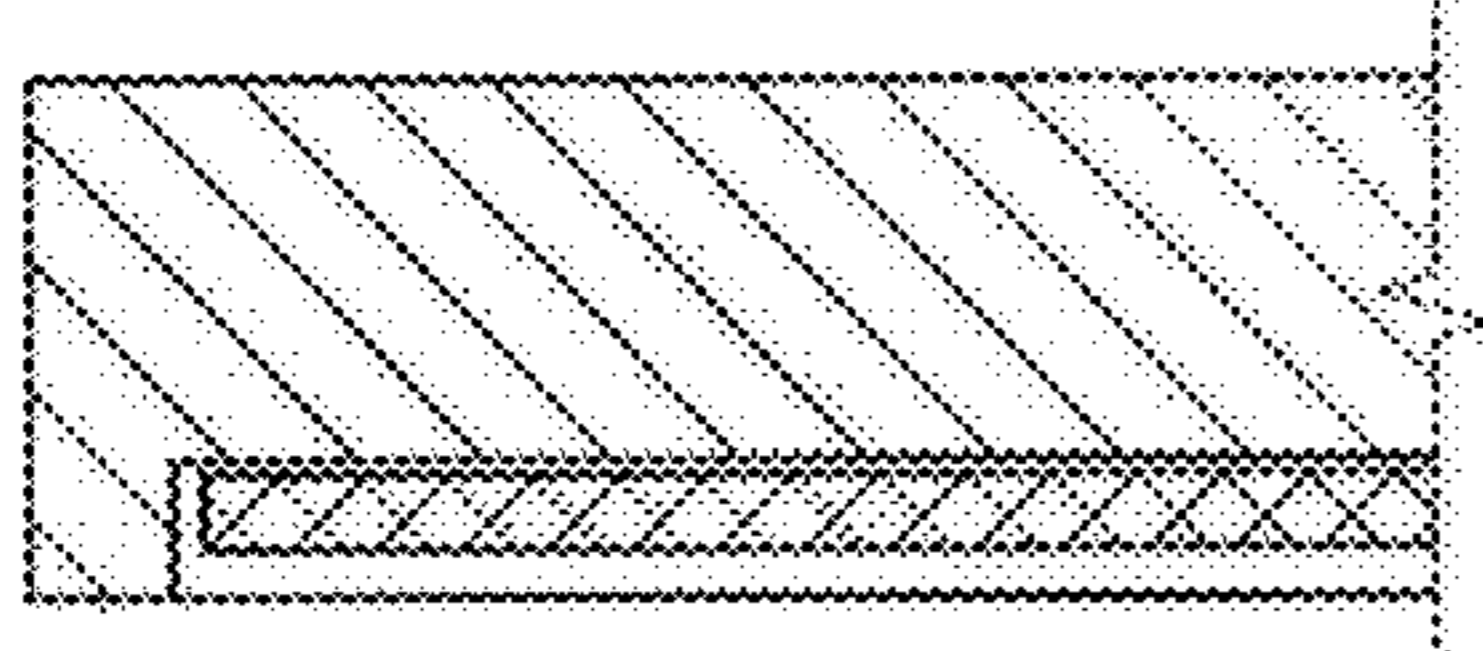


FIG. 8

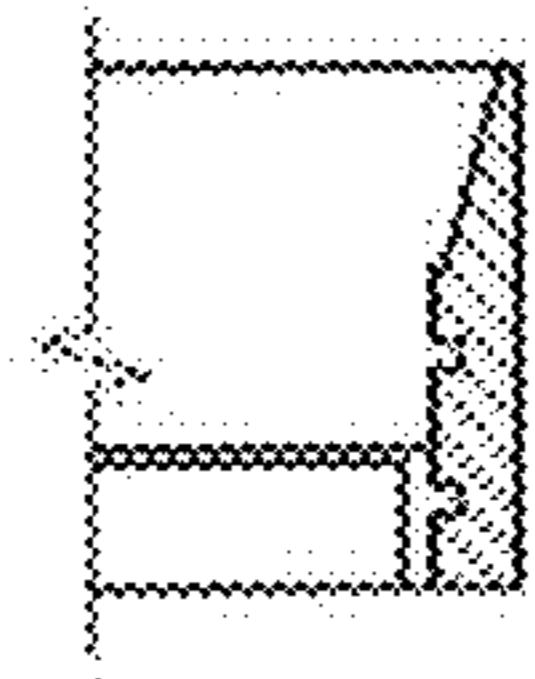


FIG. 9

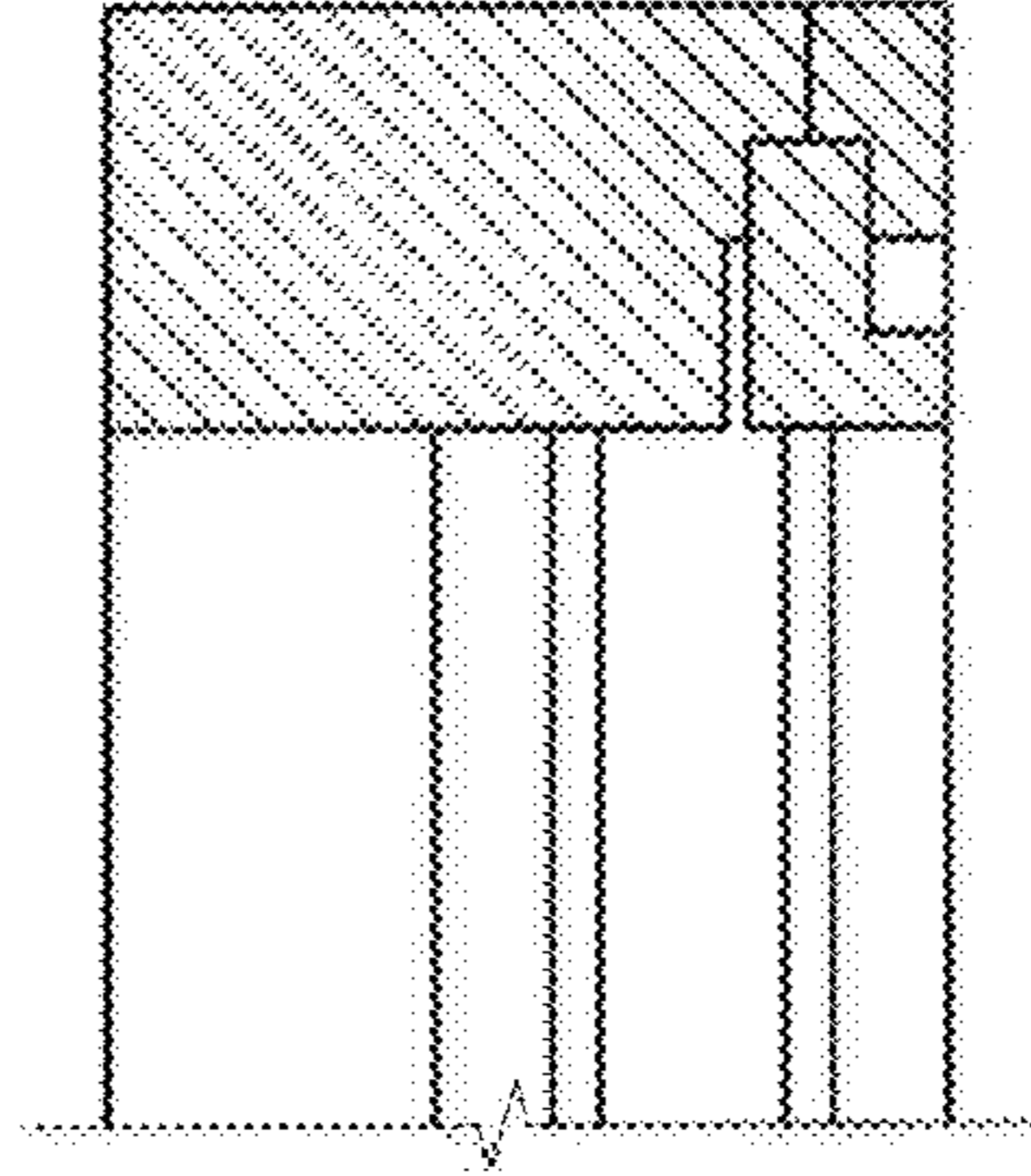


FIG. 10