

US00D757287S

(12) **United States Design Patent**
Chen

(10) **Patent No.:** **US D757,287 S**

(45) **Date of Patent:** **** May 24, 2016**

(54) **LEG SUPPORT MASSAGER**

(71) Applicant: **Healthmate International, LLC,**
Kansas City, MO (US)

(72) Inventor: **Shawn Chen,** Kansas City, MO (US)

(73) Assignee: **Healthmate International, LLC,**
Kansas City, MO (US)

(**) Term: **15 Years**

(21) Appl. No.: **29/529,713**

(22) Filed: **Jun. 10, 2015**

(51) **LOC (10) Cl.** **28-03**

(52) **U.S. Cl.**
USPC **D24/215**

(58) **Field of Classification Search**
USPC D24/200, 211, 212, 213, 214, 215,
D24/189-193; 601/19, 27-33, 38, 46, 52,
601/112, 118, DIG. 12, DIG. 14, DIG. 1,
601/DIG. 16, DIG. 17; D30/160
CPC A61H 2201/0153; A61H 2201/0207;
A61H 2201/0263; A61H 2201/0111; A61H
2201/1253; A61H 2205/082; A61H 2205/085;
A61H 15/0085; A61H 19/00; A61H 19/30;
A61H 19/32; A61H 19/40; A61H 19/44;
A61H 19/50

See application file for complete search history.

(56) **References Cited**

U.S. PATENT DOCUMENTS

D242,955 S * 1/1977 Arluck D24/190
4,977,893 A * 12/1990 Hunt A61F 13/06
128/846

D470,592 S * 2/2003 Dunshee D24/189
D471,632 S * 3/2003 Dunshee D24/189
D494,324 S * 8/2004 Mundy D29/121.1
D510,140 S * 9/2005 Brown D24/190
D533,668 S * 12/2006 Brown D24/190
D571,923 S * 6/2008 Roberts D24/190
D626,241 S * 10/2010 Sagnip D24/190
D626,242 S * 10/2010 Sagnip D24/190
D708,342 S * 7/2014 Dunshee D24/189
D731,069 S * 6/2015 Bialek D24/190
2008/0195012 A1 * 8/2008 Miros A61F 5/0106
602/26

* cited by examiner

Primary Examiner — Sandra Snapp

(74) *Attorney, Agent, or Firm* — Erickson Kernell
Derousseau & Kleypas, LLC

(57) **CLAIM**

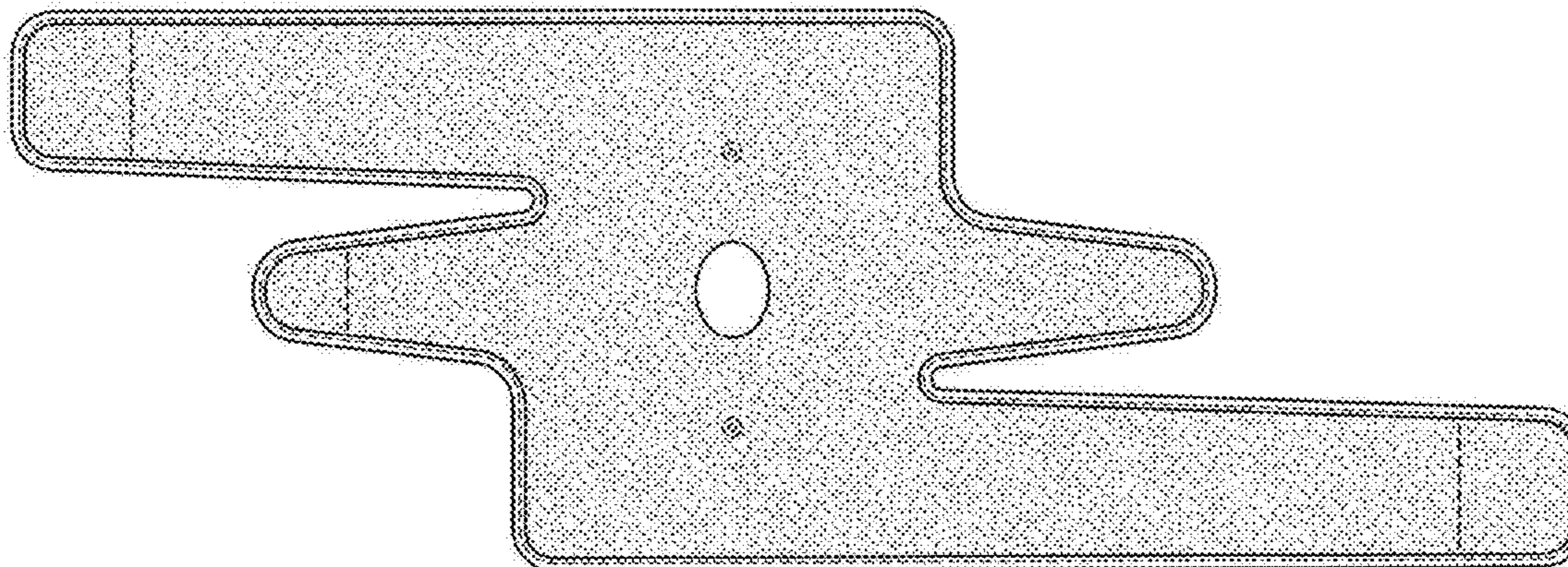
The ornamental design for a leg support massager, as shown and described.

DESCRIPTION

FIG. 1 is a top plan view of a leg support massager showing my new design;
FIG. 2, is a bottom plan view thereof;
FIG. 3 is a rear elevation view thereof;
FIG. 4 is a front elevation view thereof;
FIG. 5 is a left side elevation view thereof; and,
FIG. 6 is a right side elevation view thereof.

The broken lines around the perimeter of the leg support massager and across the ends thereof in FIGS. 1 & 2 represent stitching and from no part of the claimed design. The remaining broken lines shown in the drawings are for illustrative purposes only and form no part of the claimed design.

1 Claim, 2 Drawing Sheets



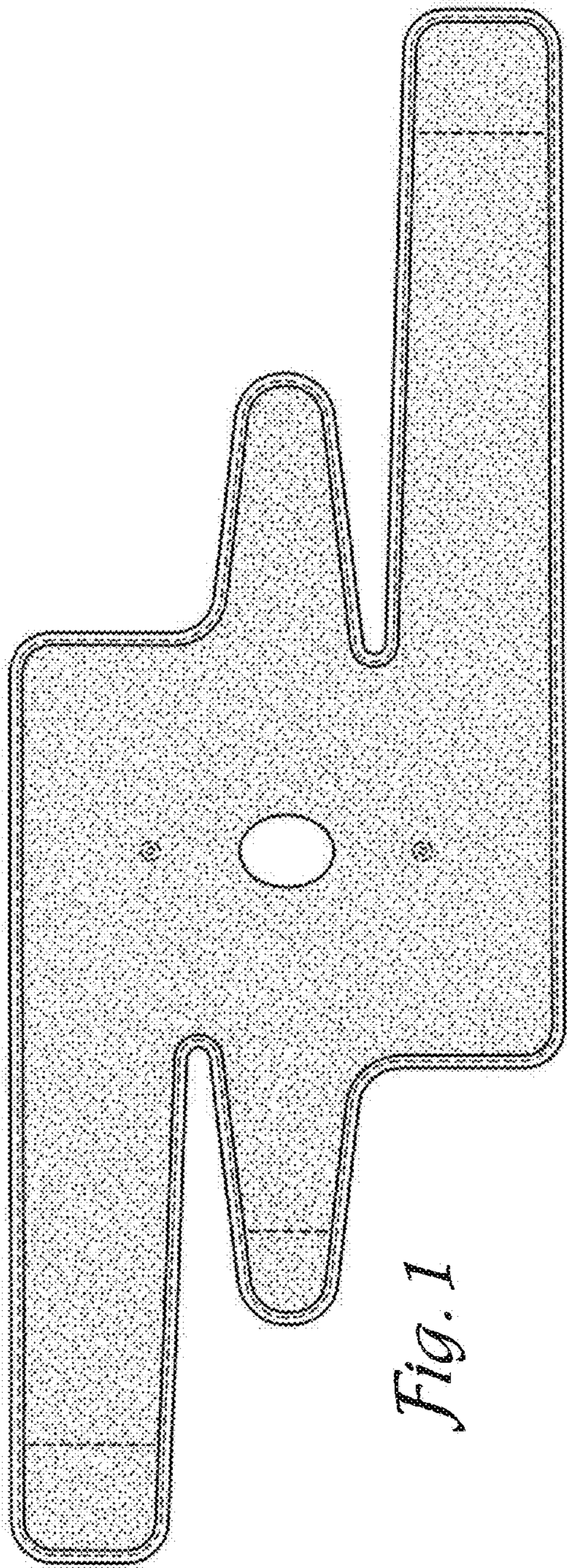


Fig. 1

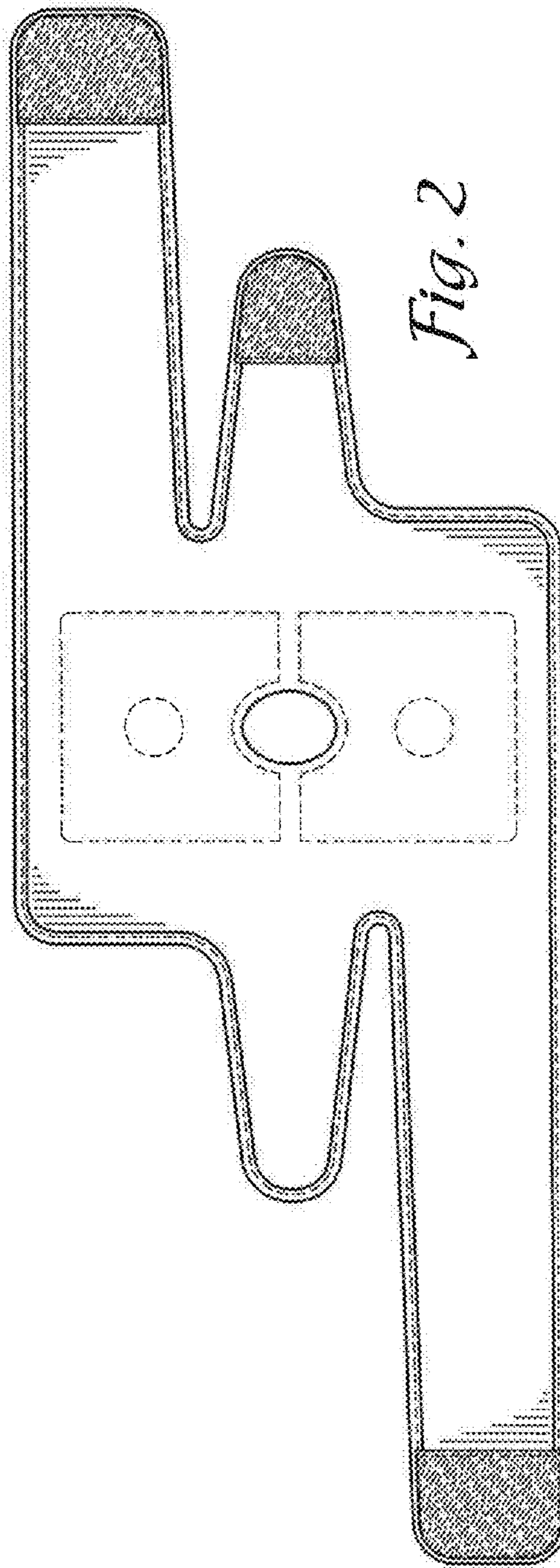


Fig. 2

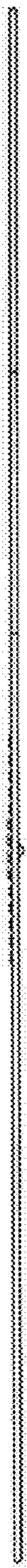


Fig. 3

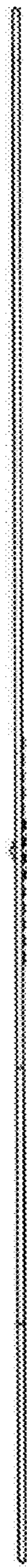


Fig. 4

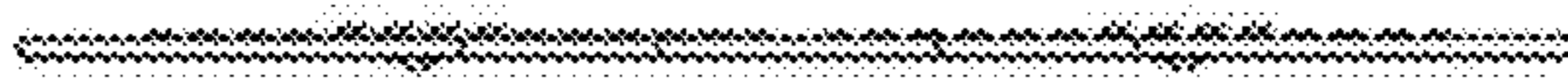


Fig. 6

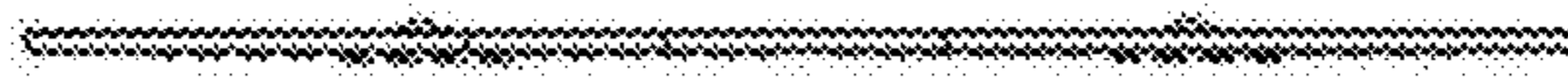


Fig. 5