



US00D757285S

(12) **United States Design Patent**  
**Larsen et al.**

(10) **Patent No.:** **US D757,285 S**  
(45) **Date of Patent:** **\*\* May 24, 2016**

- (54) **SPA SHELL**
- (71) Applicant: **WATKINS MANUFACTURING CORPORATION**, Vista, CA (US)
- (72) Inventors: **Christopher Carl Larsen**, Vista, CA (US); **Sage Nathan Baker**, Cardiff by the Sea, CA (US)
- (73) Assignee: **Watkins Manufacturing Corporation**, Vista, CA (US)
- (\*\*) Term: **14 Years**
- (21) Appl. No.: **29/514,600**
- (22) Filed: **Jan. 14, 2015**
- (51) **LOC (10) Cl.** ..... **23-02**
- (52) **U.S. Cl.**  
USPC ..... **D24/204**
- (58) **Field of Classification Search**  
USPC ..... D24/201, 204, 205; D23/276–278, D23/280.1–280.3; D25/2; 4/488, 4/541.1–541.6, 546–547, 578.1, 579, 4/589, 904; 601/154–158  
CPC ... A61H 33/00; A61H 33/0087; A61H 33/02; A61H 33/60; A61H 33/6063; A61H 33/021; A61H 33/022; A61H 33/027; A61H 33/0091; A47K 3/02; A47K 3/122; A47K 3/06; E04H 2004/0068; E04H 4/0037  
See application file for complete search history.

D288,125 S *	2/1987	Watkins	.....	D23/277
4,811,434 A *	3/1989	Satterfield	.....	A61H 33/02 156/60
D559,991 S *	1/2008	Dragovich	.....	D24/204
D575,406 S *	8/2008	Layfield	.....	D24/204
D645,567 S *	9/2011	Walker	.....	D24/204
D702,846 S *	4/2014	Larsen	.....	D24/204
D730,534 S *	5/2015	Larsen	.....	D24/204
2005/0132487 A1 *	6/2005	Layfield	.....	A47K 3/00 4/541.1
2008/0148470 A1 *	6/2008	Ferriss	.....	A63B 69/125 4/541.1
2008/0289093 A1 *	11/2008	Dragovich	.....	A61H 33/00 4/541.1
2015/0196167 A1 *	7/2015	Dragovic	.....	A47K 3/06 4/584

\* cited by examiner

*Primary Examiner* — Catheri Oliver-Garcia

*Assistant Examiner* — Rebekah Caruso

(74) *Attorney, Agent, or Firm* — Kirk W. Rudolph

(57) **CLAIM**

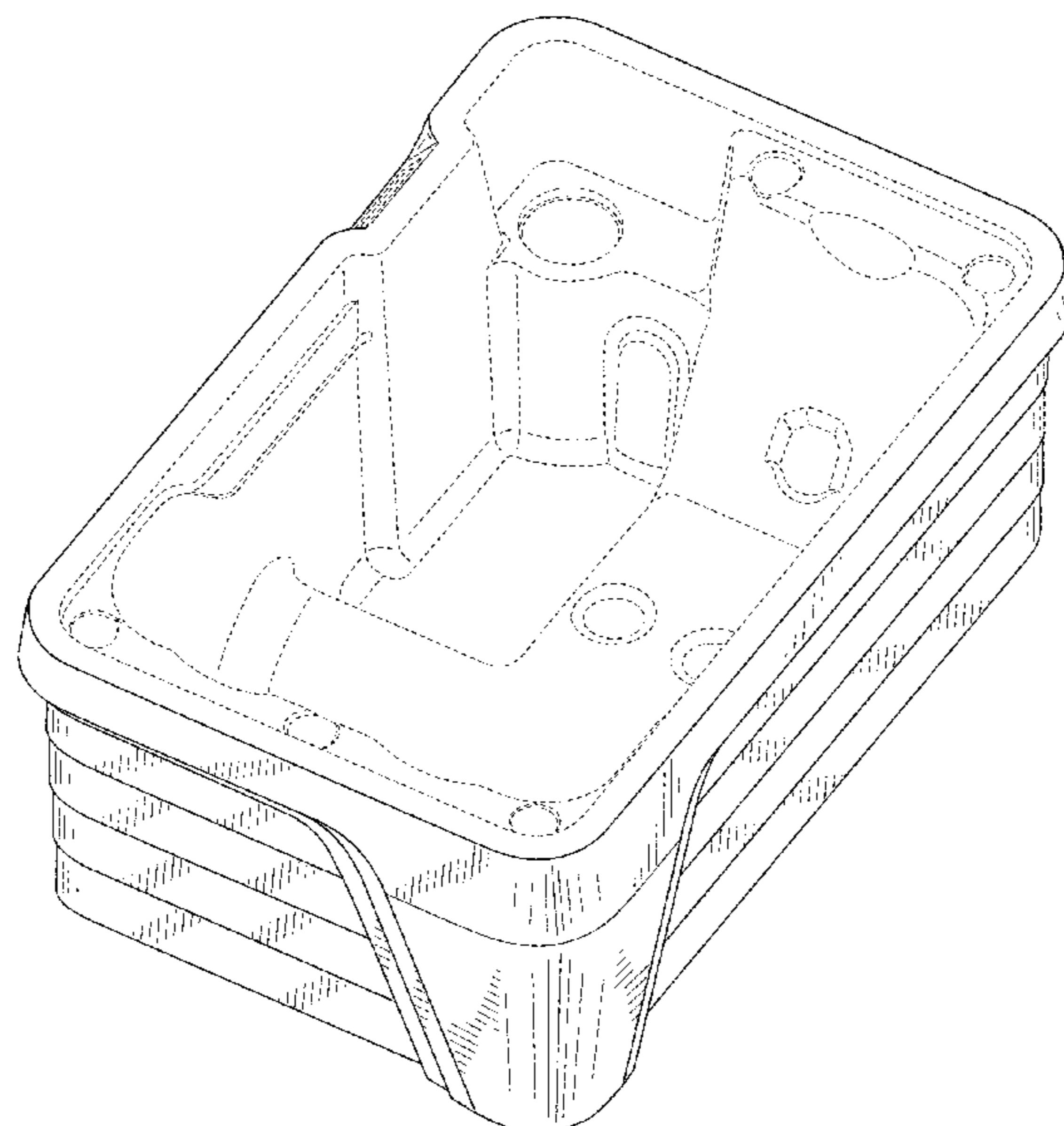
The ornamental design for a spa shell, as shown and described.

**DESCRIPTION**

FIG. 1 is a perspective view of a spa shell showing our design; FIG. 2 is a second perspective view thereof; FIG. 3 is a top plan view thereof; FIG. 4 is a front elevation view thereof; FIG. 5 is a rear elevation view thereof; FIG. 6 is a right side elevation view thereof; and, FIG. 7 is a left side elevation view thereof. The broken lines in the drawings represent unclaimed portions of the spa shell and form no part of the claimed design.

**1 Claim, 5 Drawing Sheets**

- (56) **References Cited**  
U.S. PATENT DOCUMENTS  
D148,195 S \* 12/1947 Springwell ..... D23/277  
D167,574 S \* 8/1952 Koppel ..... D23/280.1



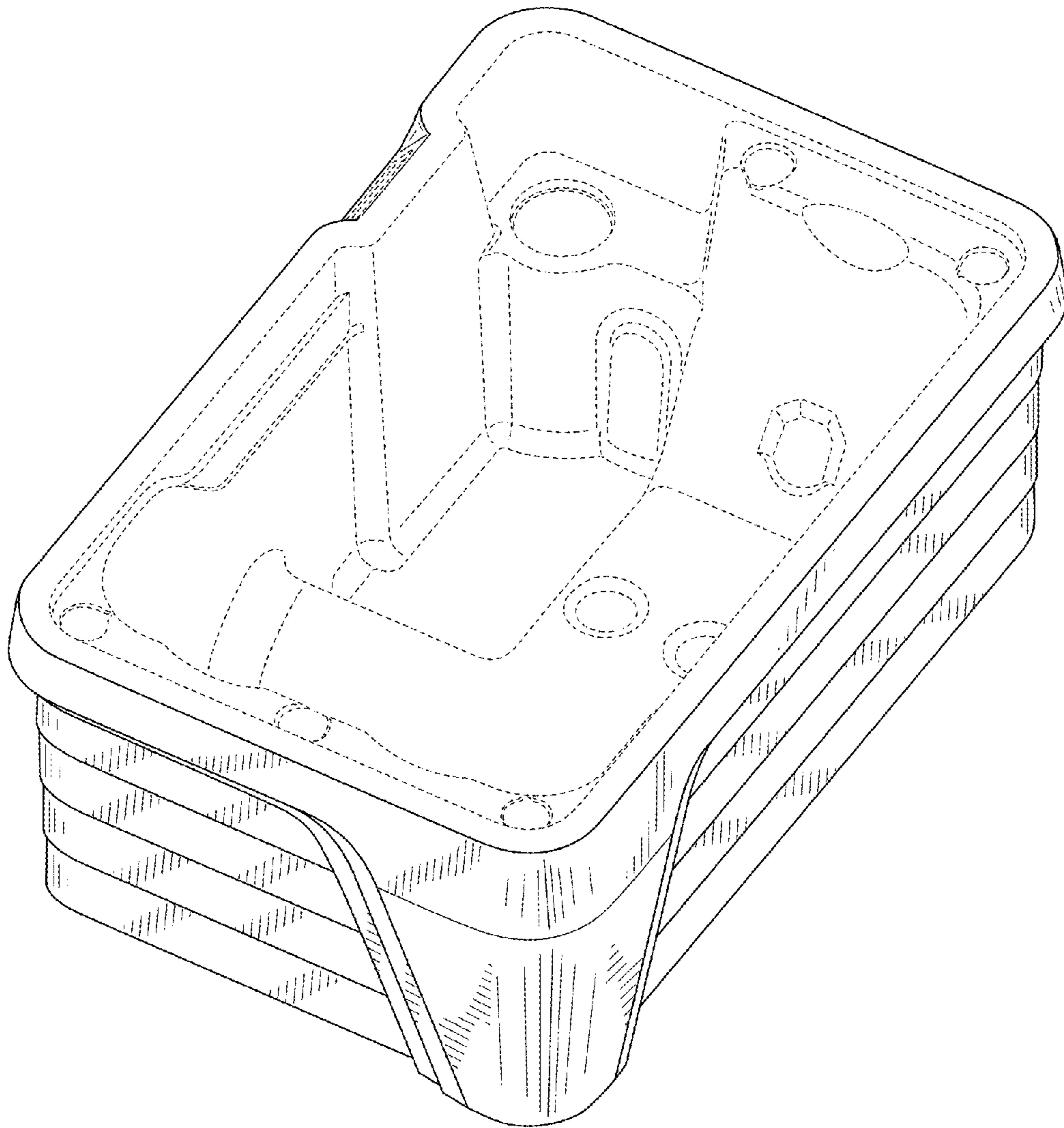


FIG. 1

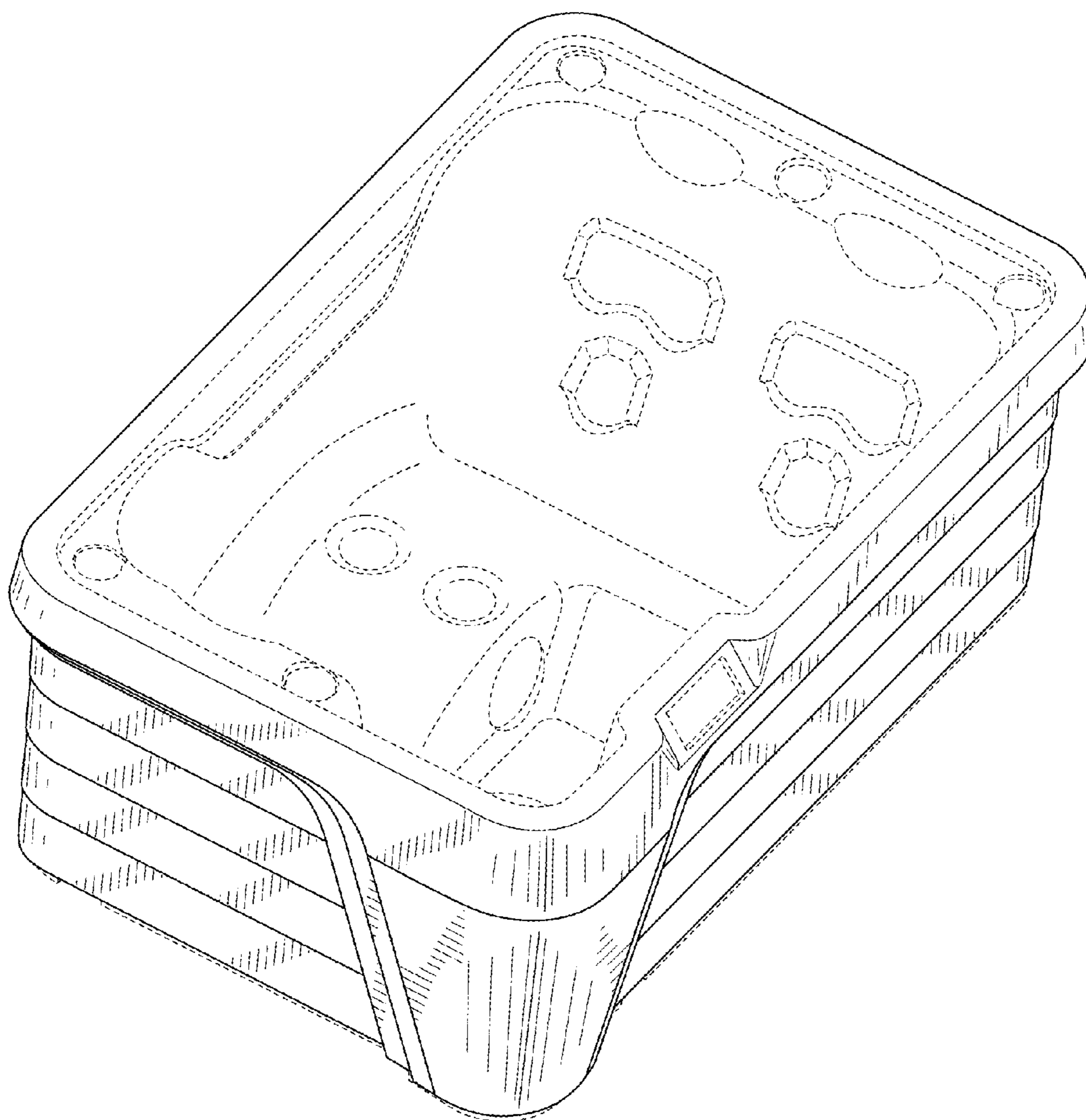


FIG. 2

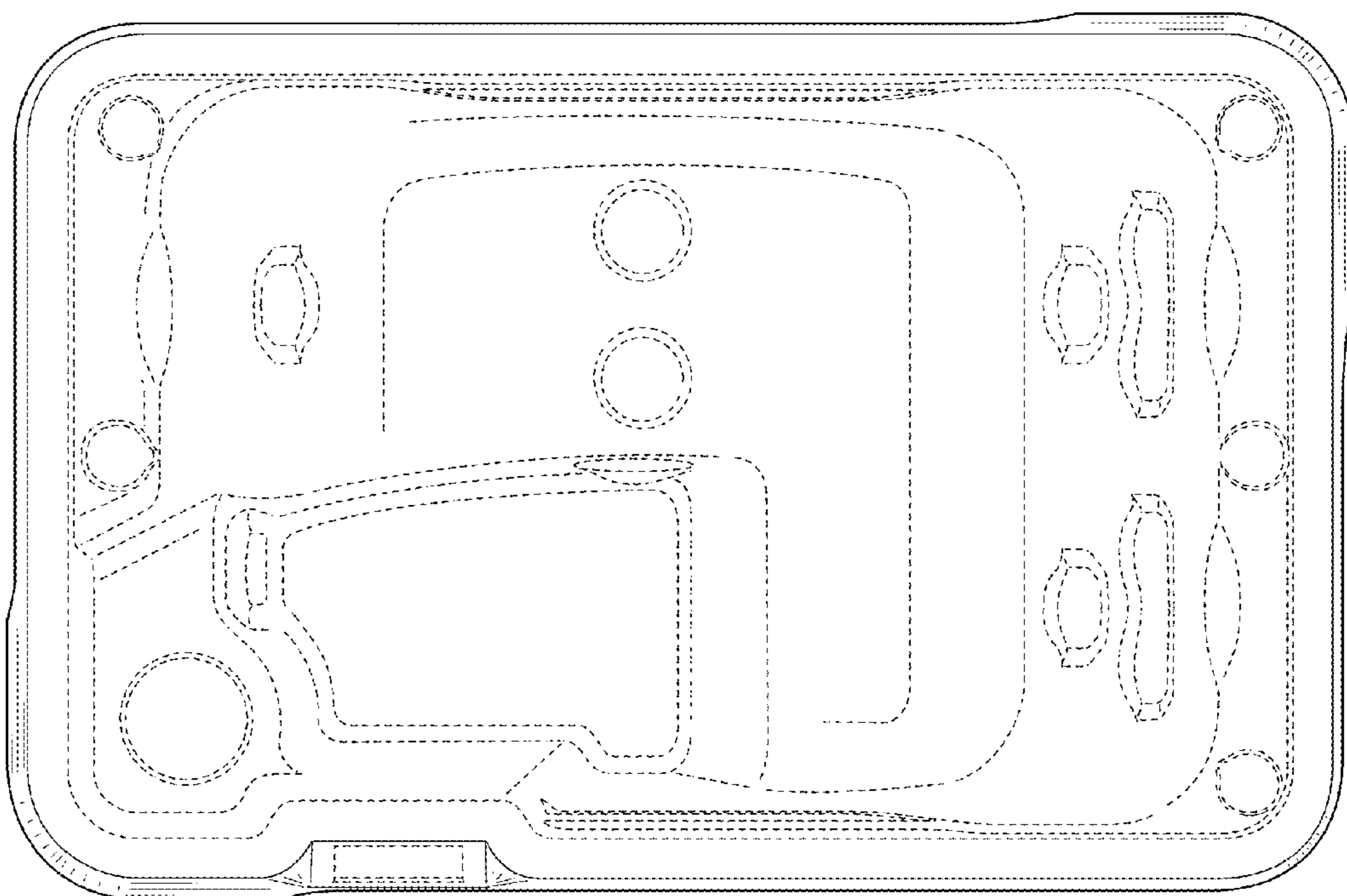


FIG. 3

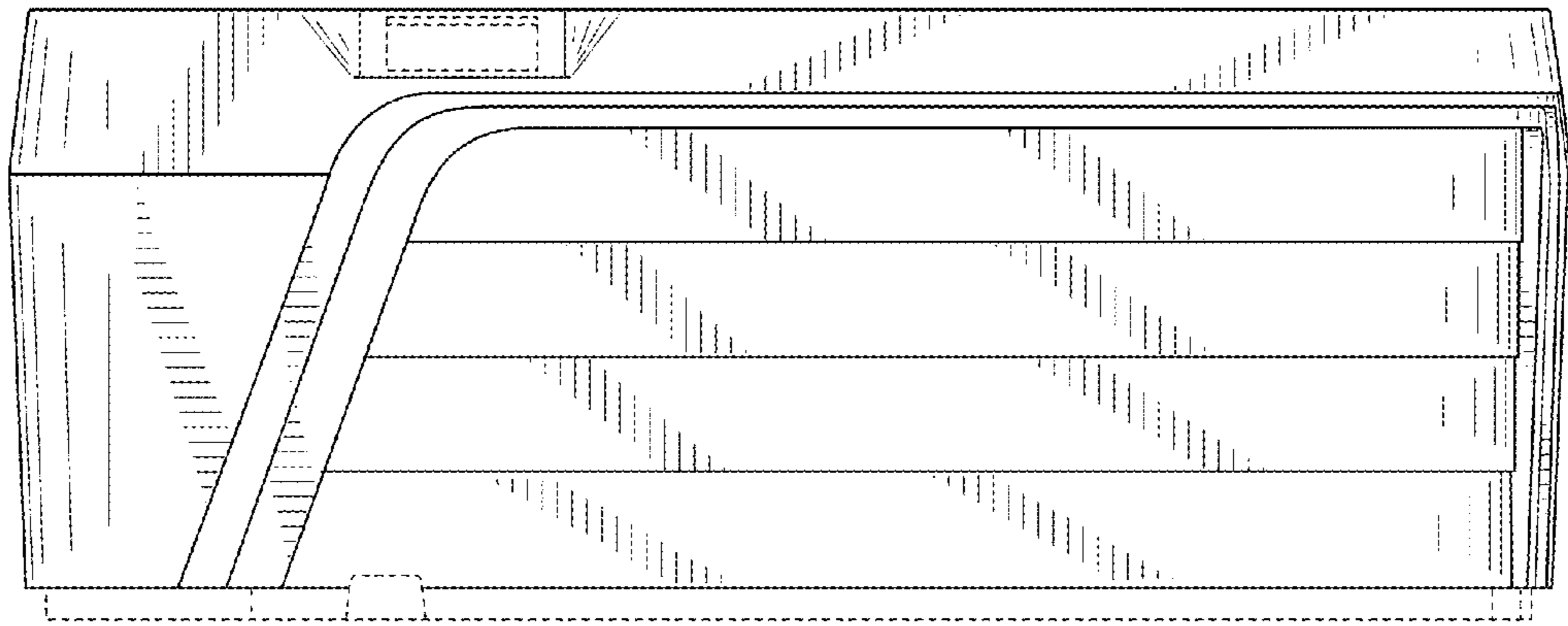


FIG. 4

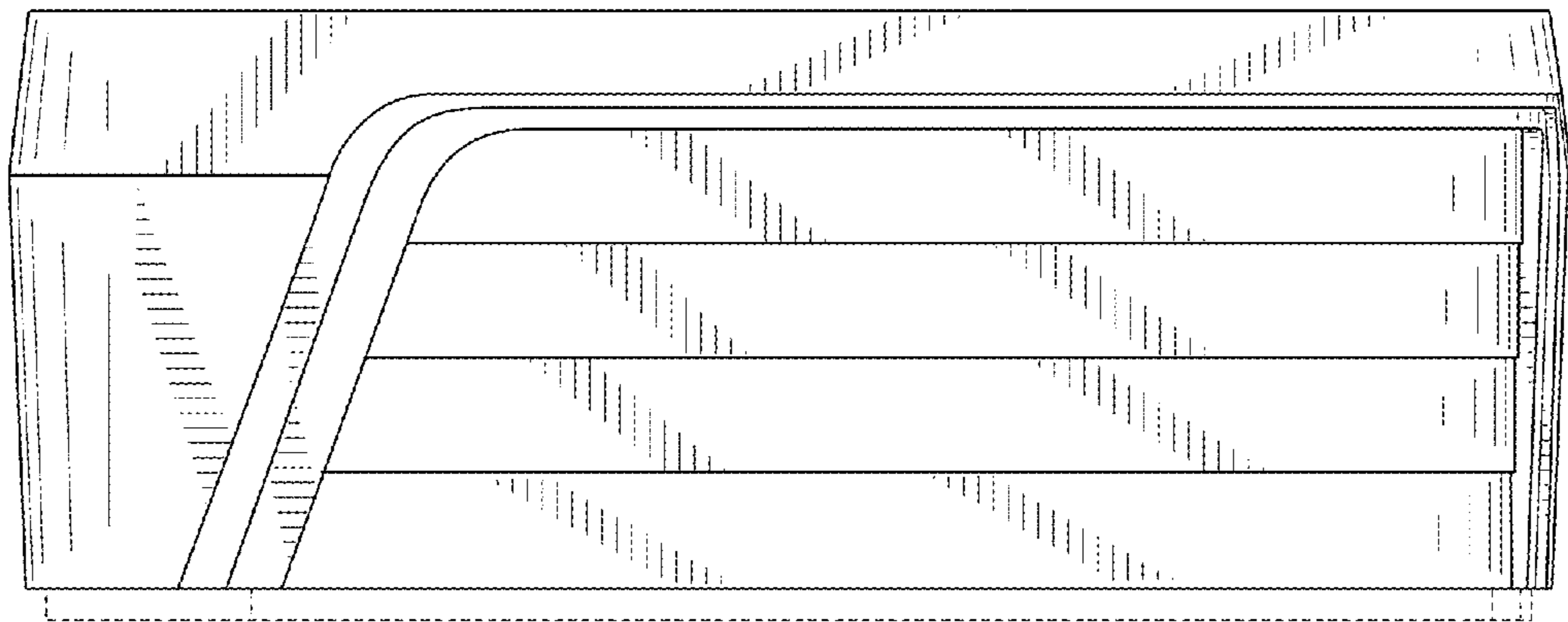
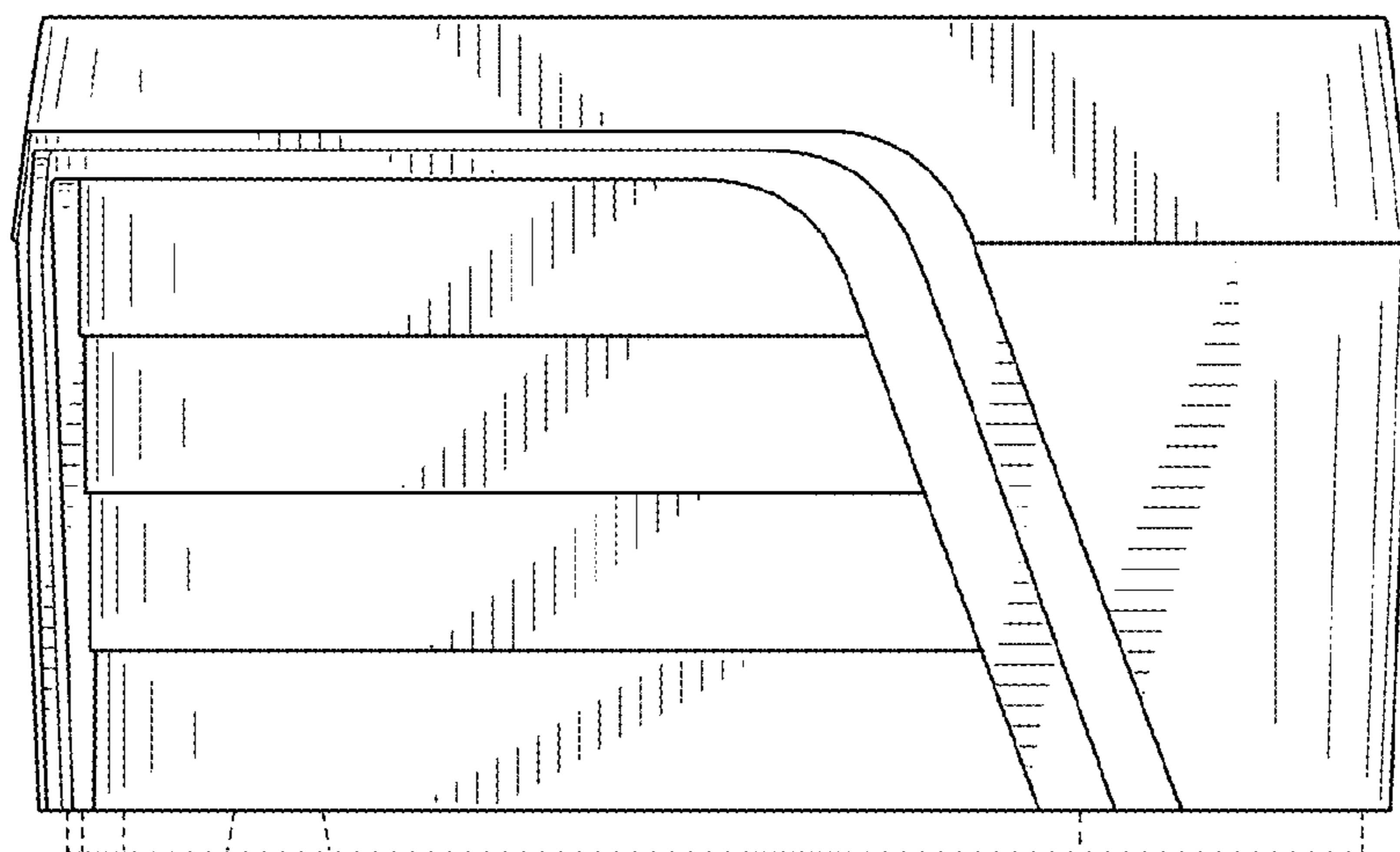
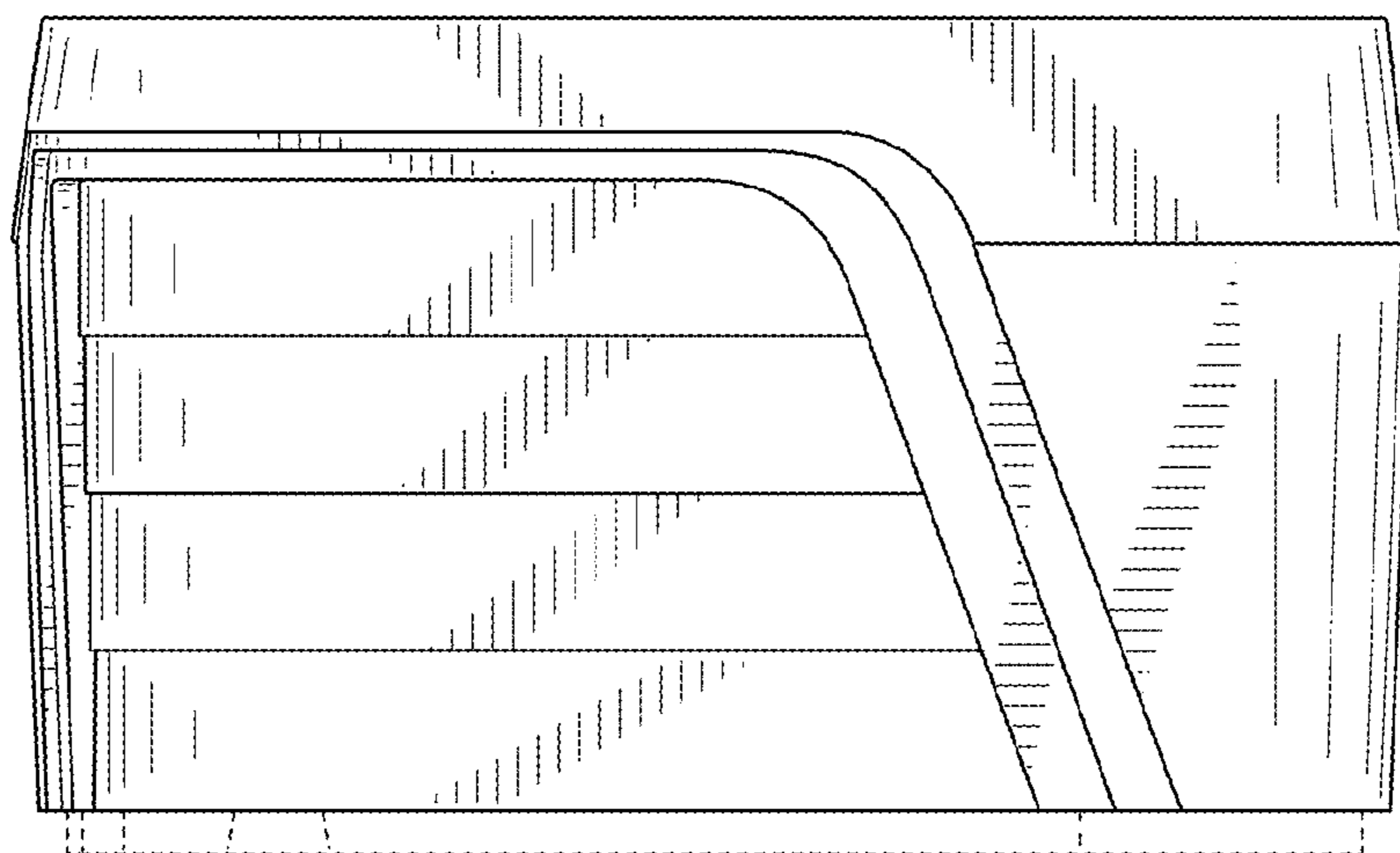


FIG. 5



**FIG. 6**



**FIG. 7**