



US00D757284S

(12) **United States Design Patent**  
**Le et al.**

(10) **Patent No.:** **US D757,284 S**  
(45) **Date of Patent:** **\*\* May 24, 2016**

(54) **FOOT SPA**

(71) Applicants: **Kevin Le**, Richland Hills, TX (US);  
**Thanh Le**, Grand Prairie, TX (US)

(72) Inventors: **Kevin Le**, Richland Hills, TX (US);  
**Thanh Le**, Grand Prairie, TX (US)

(73) Assignee: **Luraco Technologies, Inc.**, Arlington,  
TX (US)

(\*\*) Term: **14 Years**

(21) Appl. No.: **29/490,673**

(22) Filed: **May 12, 2014**

(51) **LOC (10) Cl.** ..... **23-02**

(52) **U.S. Cl.**  
USPC ..... **D24/204**

(58) **Field of Classification Search**  
USPC ..... D2/916, 918; D23/276–278,  
D23/280.1–280.3, 315; D24/200, 201, 204,  
D24/205; D28/56, 61; 4/538, 541.1–541.6,  
4/547, 578.1, 579; 6/158  
CPC ..... A47K 3/02; A47K 3/122; A47K 3/12;  
A47K 3/00; A47K 3/06; A47K 3/282; A61H  
33/0087; A61H 33/00; A61H 33/6089;  
A61H 33/02; A61H 33/04; E03C 1/00;  
E03C 1/01; E03C 1/04; E03C 1/14; E03C  
1/18; E03C 1/029; E03C 1/042; E03C 1/048;  
E03C 1/057; E03C 1/90; E03C 1/182; E03C  
1/186; E03C 1/324; E03C 1/326

See application file for complete search history.

(56) **References Cited**

U.S. PATENT DOCUMENTS

5,425,149	A *	6/1995	Crossley .....	A47K 3/064 4/572.1
D457,018	S *	5/2002	Park .....	D6/708.18
D560,310	S *	1/2008	Le .....	D28/56
D560,853	S *	1/2008	Van Le .....	D23/285
D571,018	S *	6/2008	Ton et al. ....	D24/204
D588,707	S *	3/2009	Mai .....	D24/204
D602,234	S *	10/2009	Feller .....	D2/917
D603,588	S *	11/2009	McClaskie .....	D2/916
2004/0060108	A1 *	4/2004	Hoon Park .....	4/622
2011/0010844	A1 *	1/2011	Ton .....	A47K 3/022 4/622

\* cited by examiner

*Primary Examiner* — Manpreet Matharu

*Assistant Examiner* — Lisa A Grabenstetter

(74) *Attorney, Agent, or Firm* — Hoang Steve Ngo

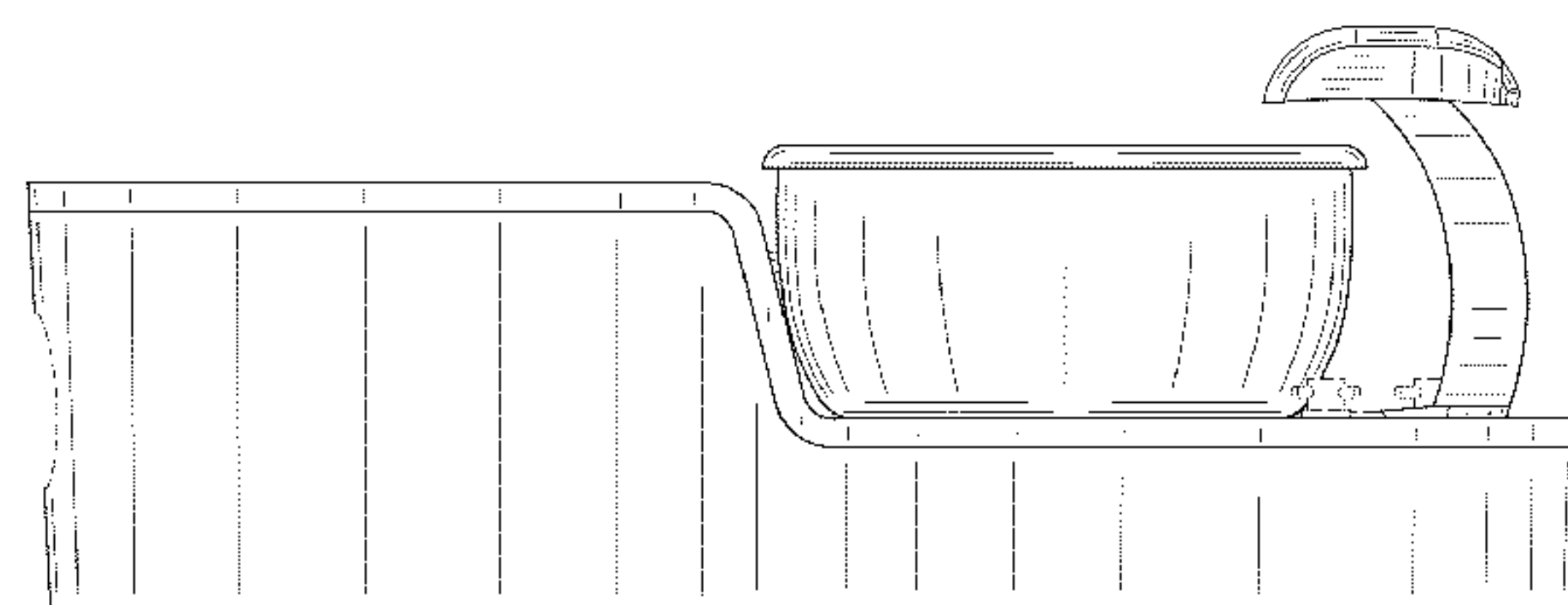
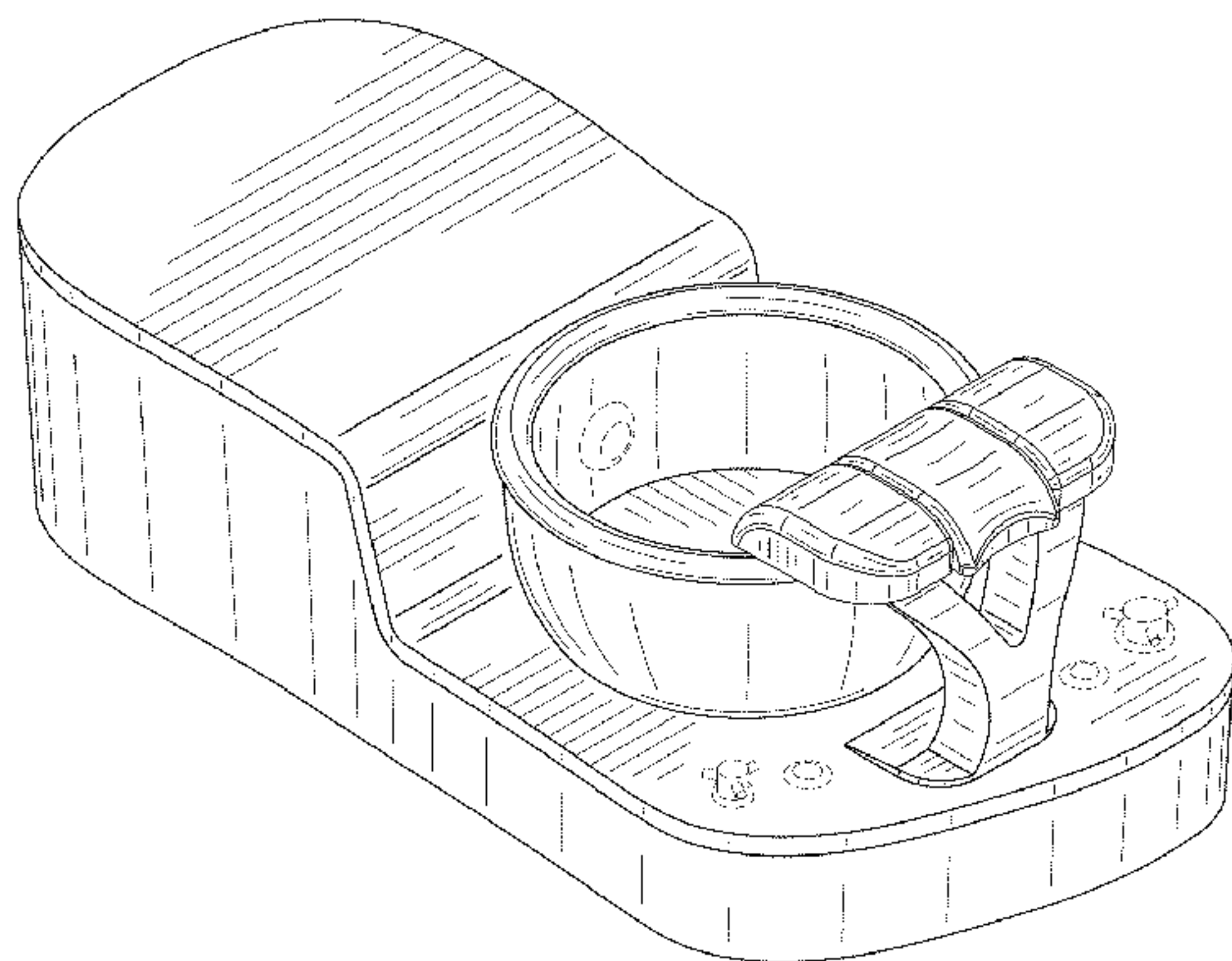
(57) **CLAIM**

The ornamental design for a foot spa, as shown and described.

**DESCRIPTION**

FIG. 1 is a rear, top, and right side perspective view of a foot spa showing our new design;  
FIG. 2 is a front, top, and left side perspective view thereof;  
FIG. 3 is a front, bottom, and left side perspective view thereof;  
FIG. 4 is a top plan view thereof;  
FIG. 5 is a bottom plan view thereof;  
FIG. 6 is a right side view thereof;  
FIG. 7 is a left side view thereof;  
FIG. 8 is a rear view thereof; and,  
FIG. 9 is a front view thereof.  
The features shown in broken lines depict unclaimed subject matter only and form no part of the claimed design.

**1 Claim, 5 Drawing Sheets**



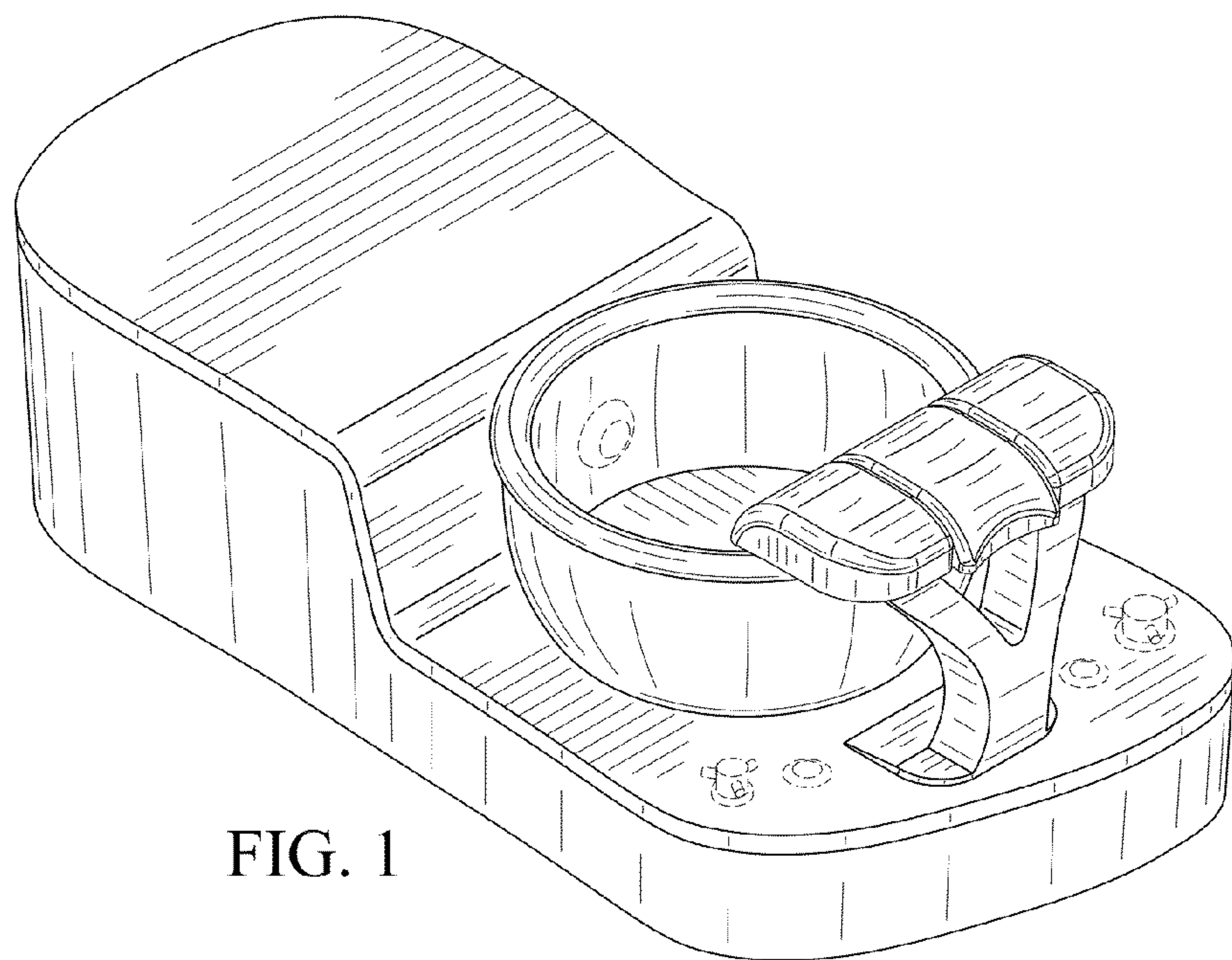


FIG. 1

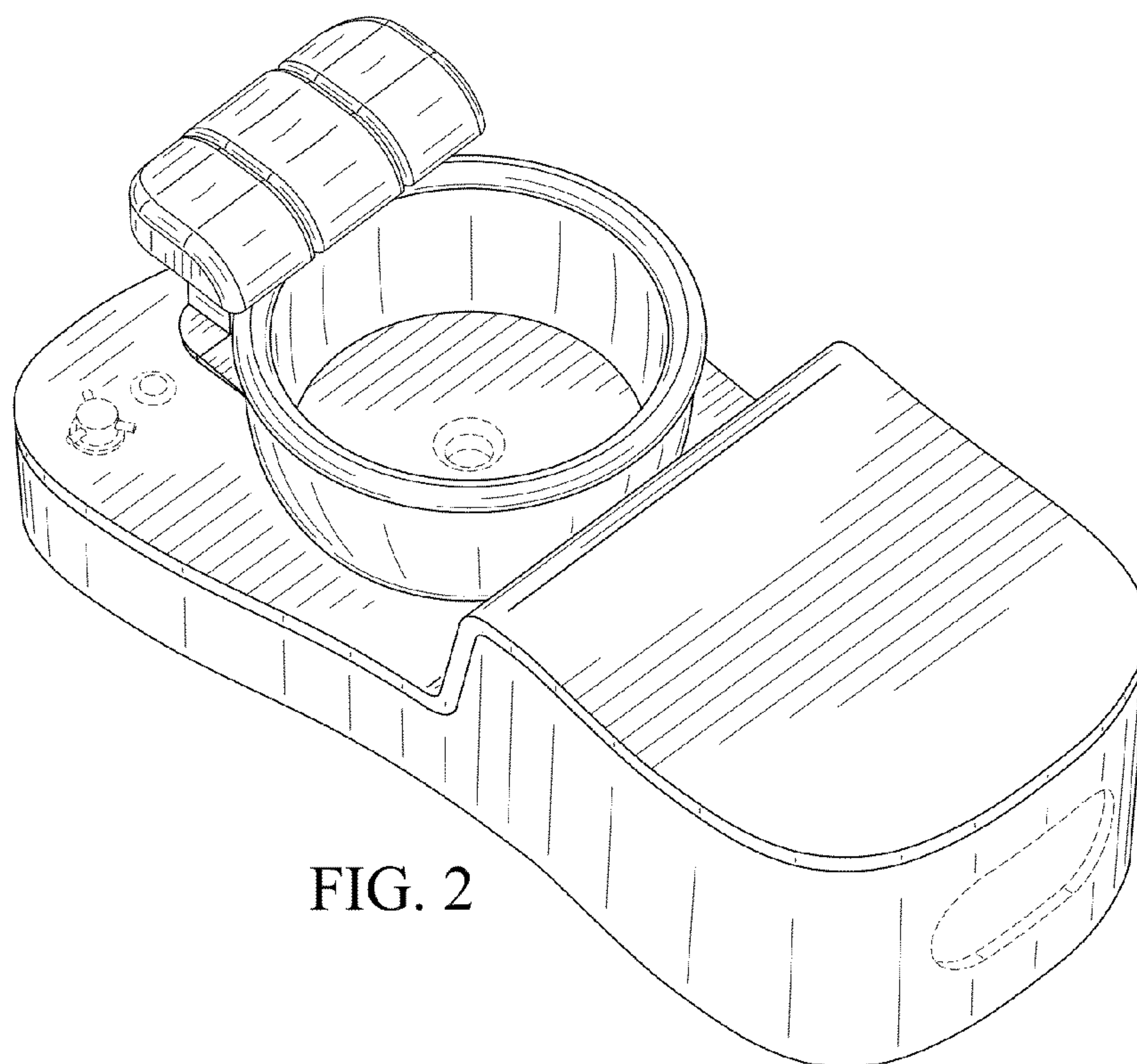


FIG. 2

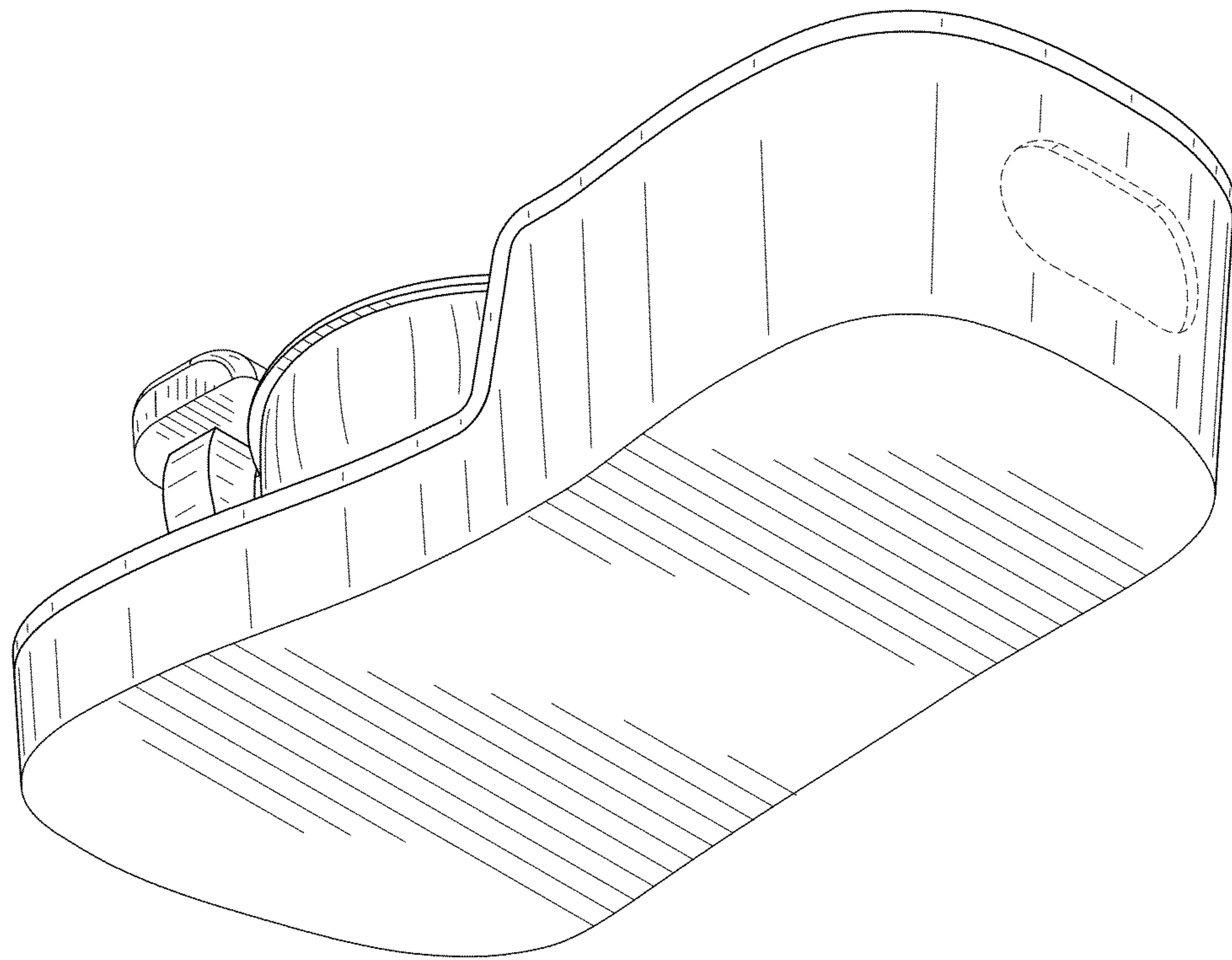


FIG. 3

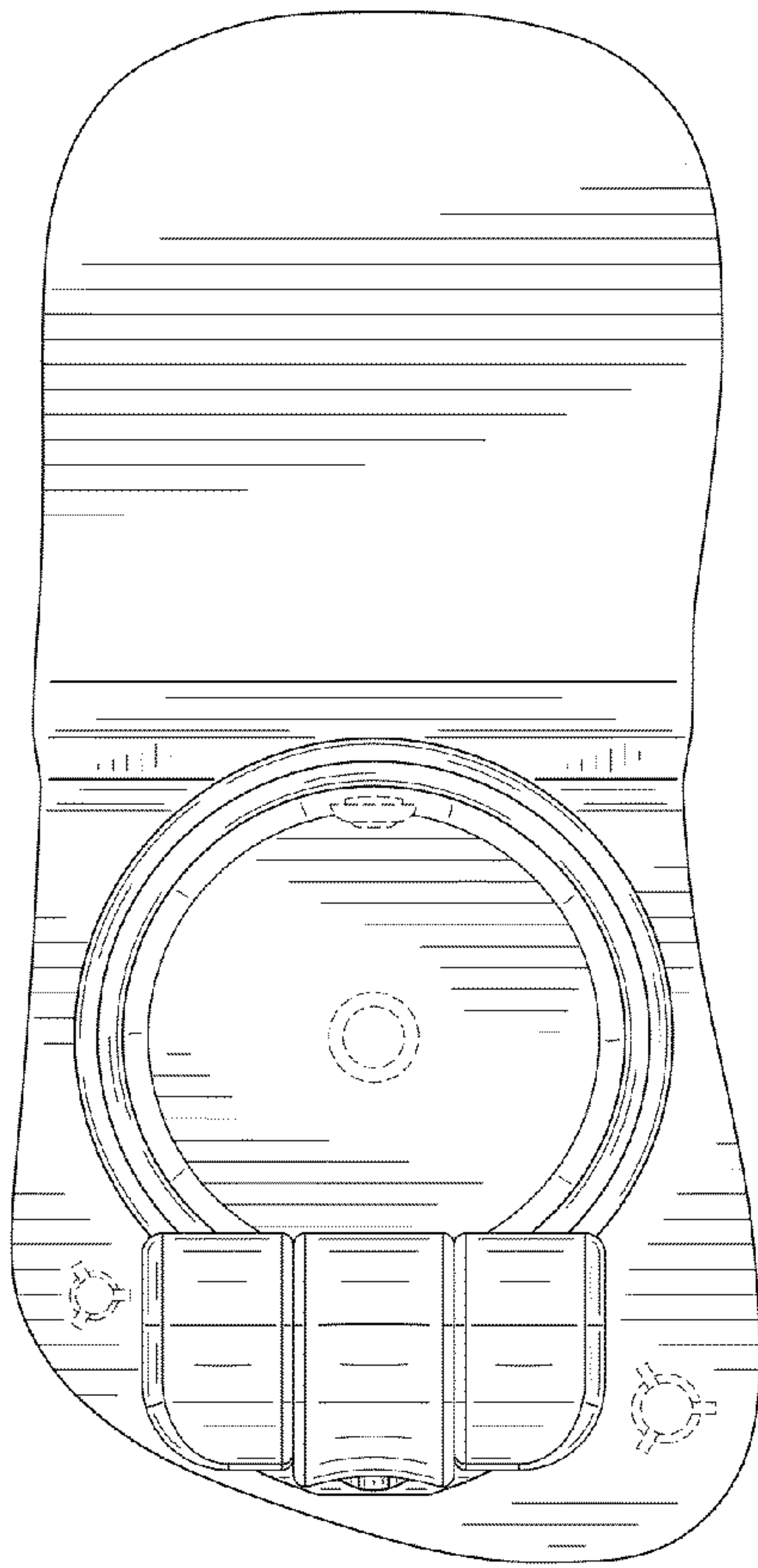


FIG. 4

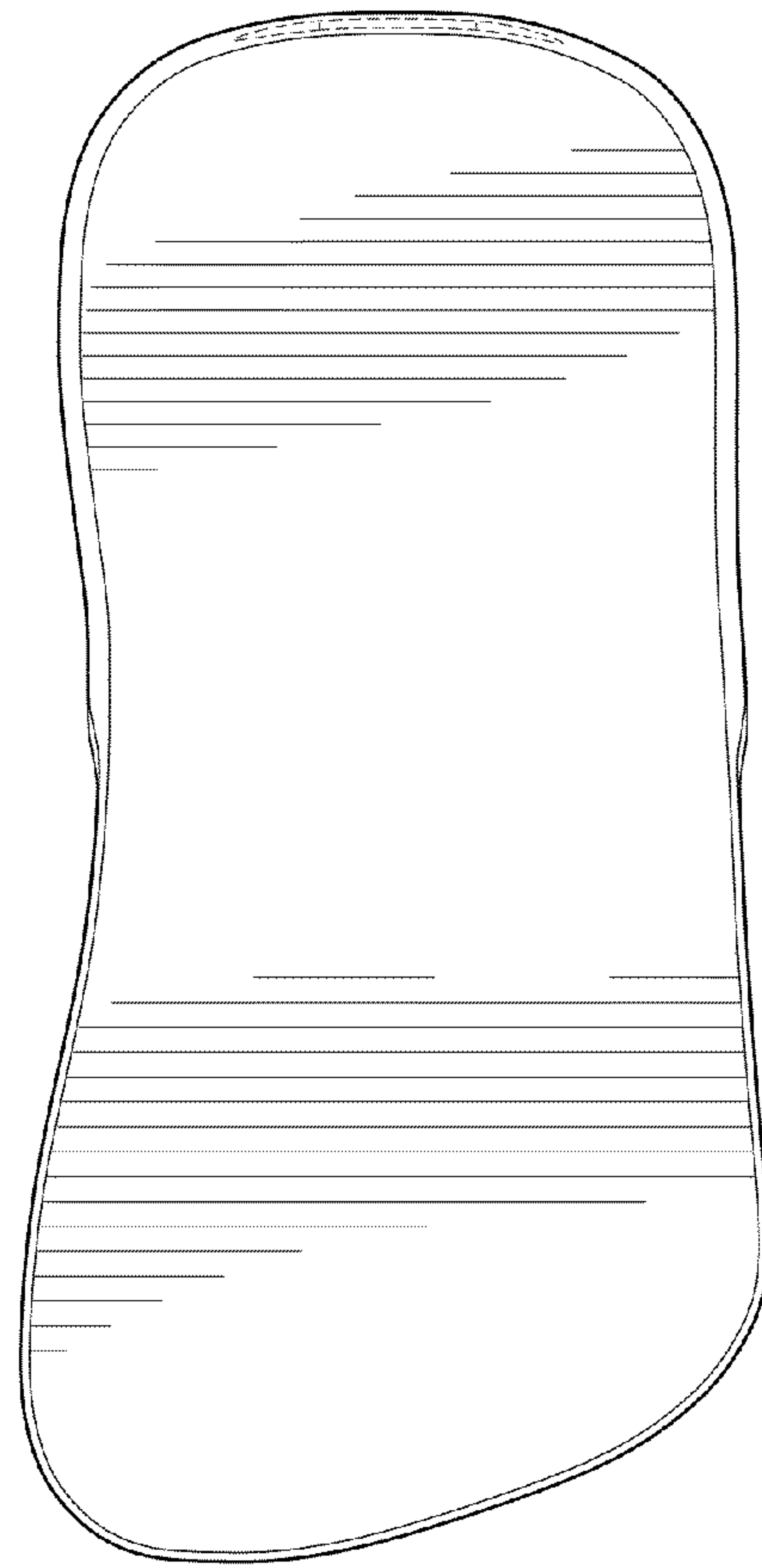


FIG. 5



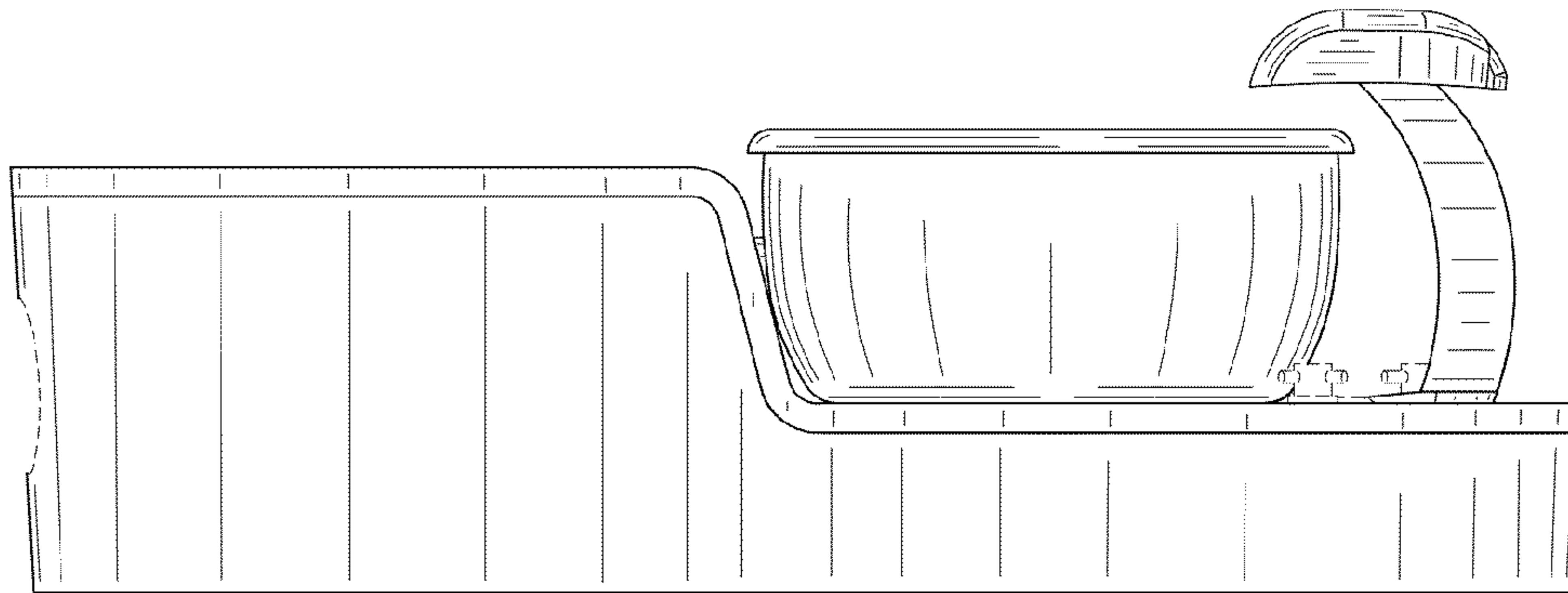


FIG. 6

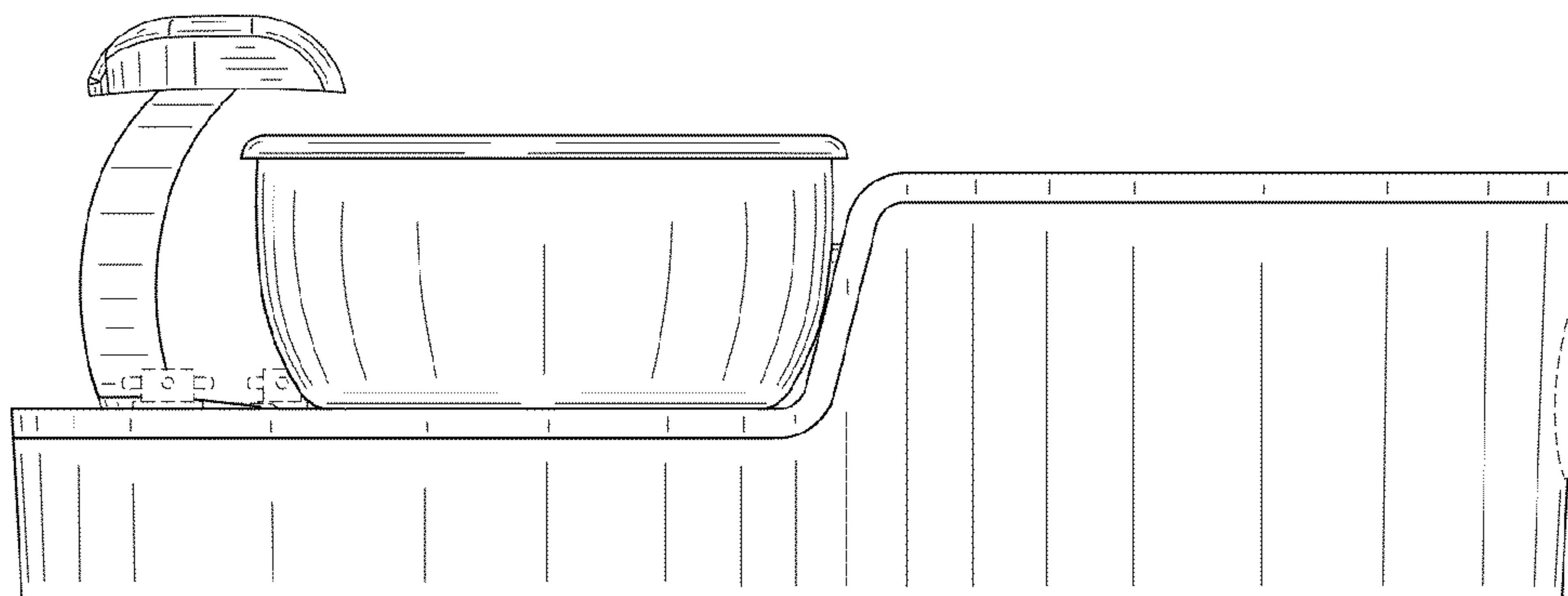


FIG. 7

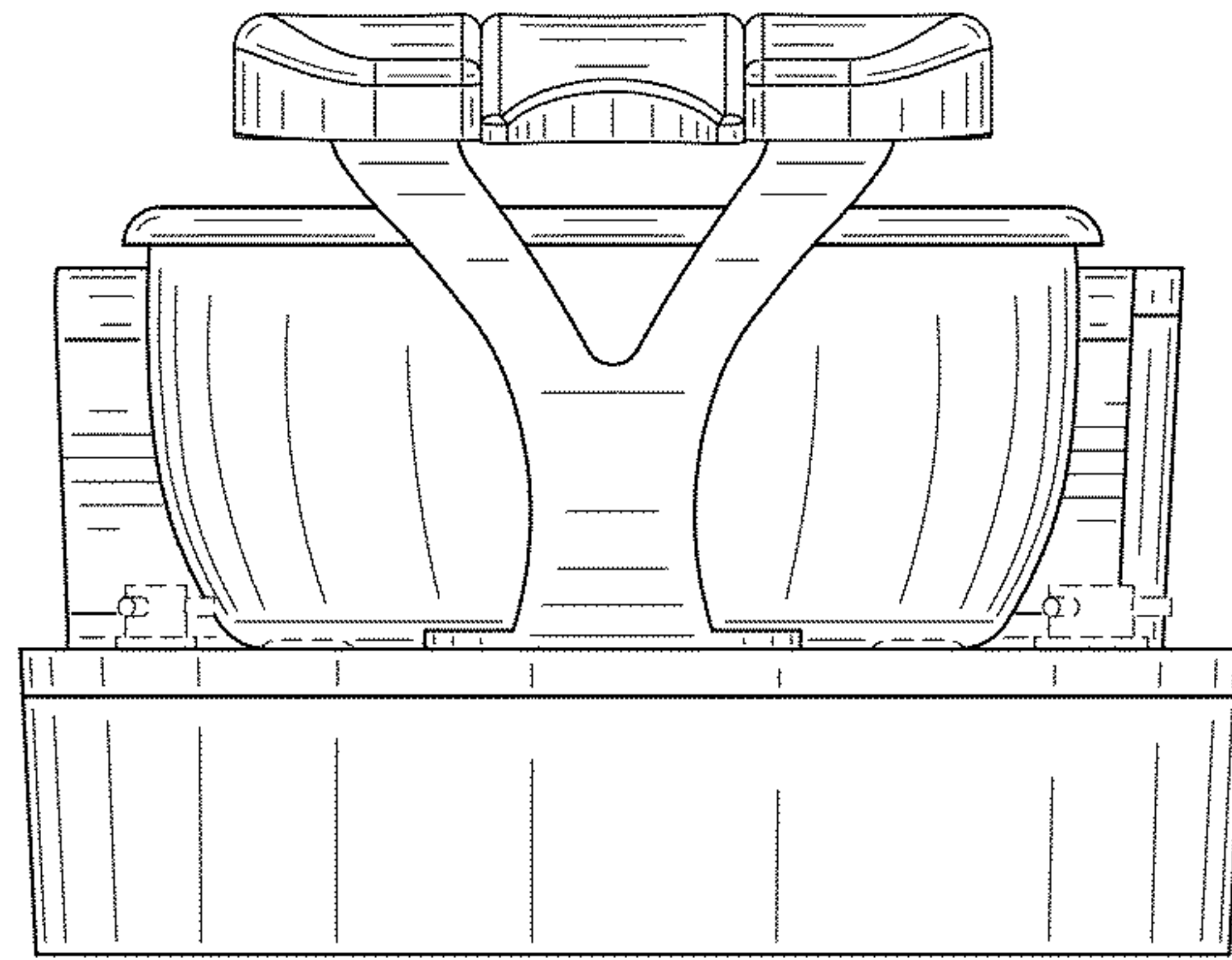


FIG. 8

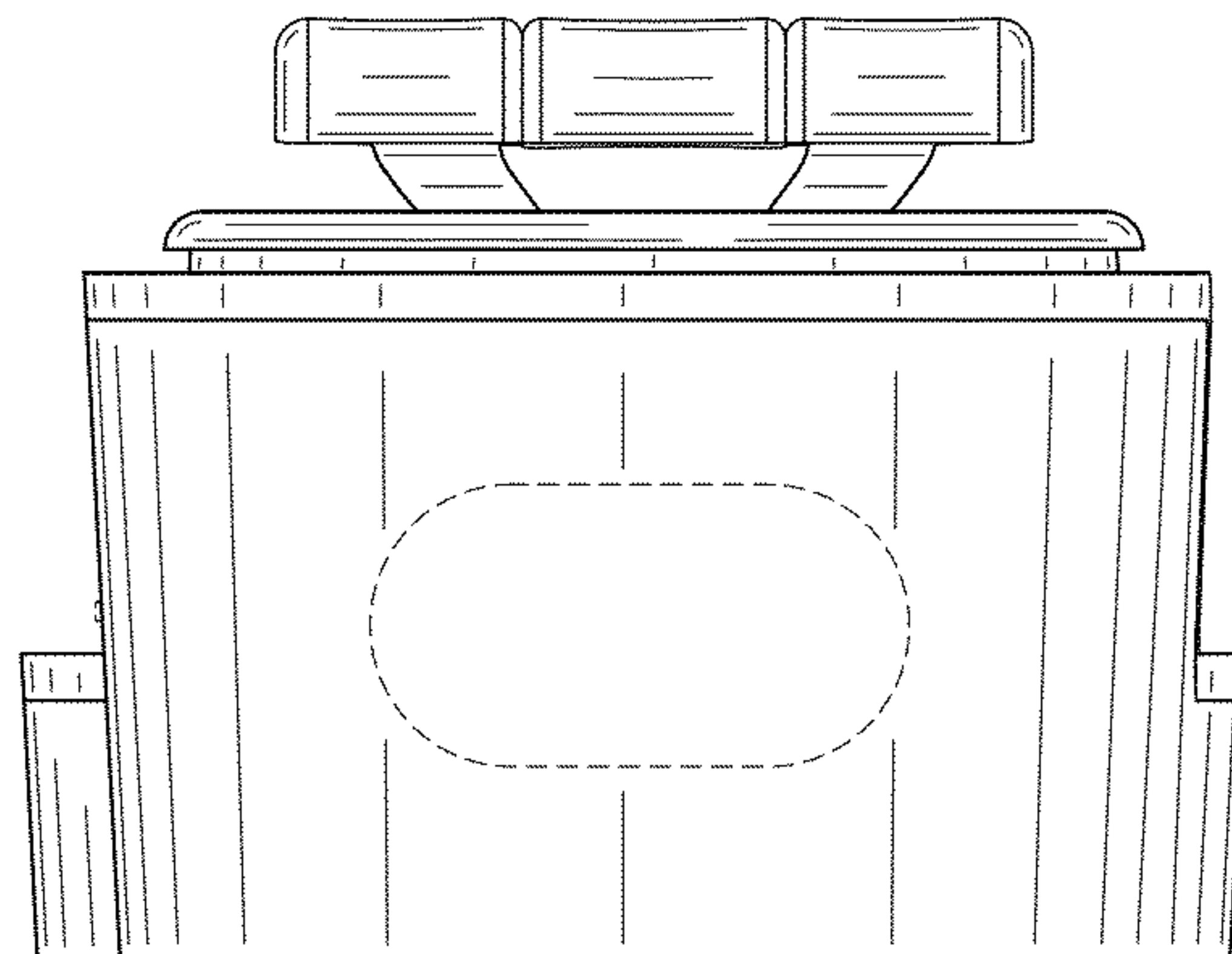


FIG. 9