



US00D757279S

(12) **United States Design Patent**
Seidl

(10) **Patent No.:** **US D757,279 S**

(45) **Date of Patent:** **** May 24, 2016**

(54) **SELF-HEATING FEEDING BOTTLE**

(71) Applicant: **Holger Seidl**, Eicher See (DE)

(72) Inventor: **Holger Seidl**, Eicher See (DE)

(73) Assignee: **FB Asset Management GmbH & Co. KG**, Bad Kreuznach (DE)

(**) Term: **14 Years**

(21) Appl. No.: **29/443,876**

(22) Filed: **Jan. 23, 2013**

(30) **Foreign Application Priority Data**

Jul. 23, 2012 (EP) 002077917-0001

(51) **LOC (10) Cl.** **07-01**

(52) **U.S. Cl.**
USPC **D24/197**

(58) **Field of Classification Search**
USPC 215/11.6, 11.2, 11.1, 11.3, 11.4, 11.5,
215/387, 398; 220/674, 592.17; D24/197;
446/81; D7/526, 527, 524, 518, 515,
D7/511, 509, 507, 523, 562, 561, 534, 535,
D7/419; D9/500, 503-504, 547; 219/202
CPC A61J 9/00
See application file for complete search history.

(56) **References Cited**

U.S. PATENT DOCUMENTS

4,215,785 A * 8/1980 Schwaiger 215/11.6
D353,204 S * 12/1994 Neff et al. D24/197

6,024,625 A * 2/2000 Pearce 446/81
D430,676 S * 9/2000 Kong D24/197
D497,672 S * 10/2004 Renz D24/197
D499,490 S * 12/2004 Conaway D24/197
D663,038 S * 7/2012 Enghard D24/197
D674,104 S * 1/2013 Fairchild D24/197
8,474,648 B1 * 7/2013 Ritzen 220/592.17
2001/0010314 A1 * 8/2001 Goto et al. 220/674

* cited by examiner

Primary Examiner — Robert M Spear

Assistant Examiner — Kendra L Hamilton

(74) *Attorney, Agent, or Firm* — Jennifer S. Stachniak

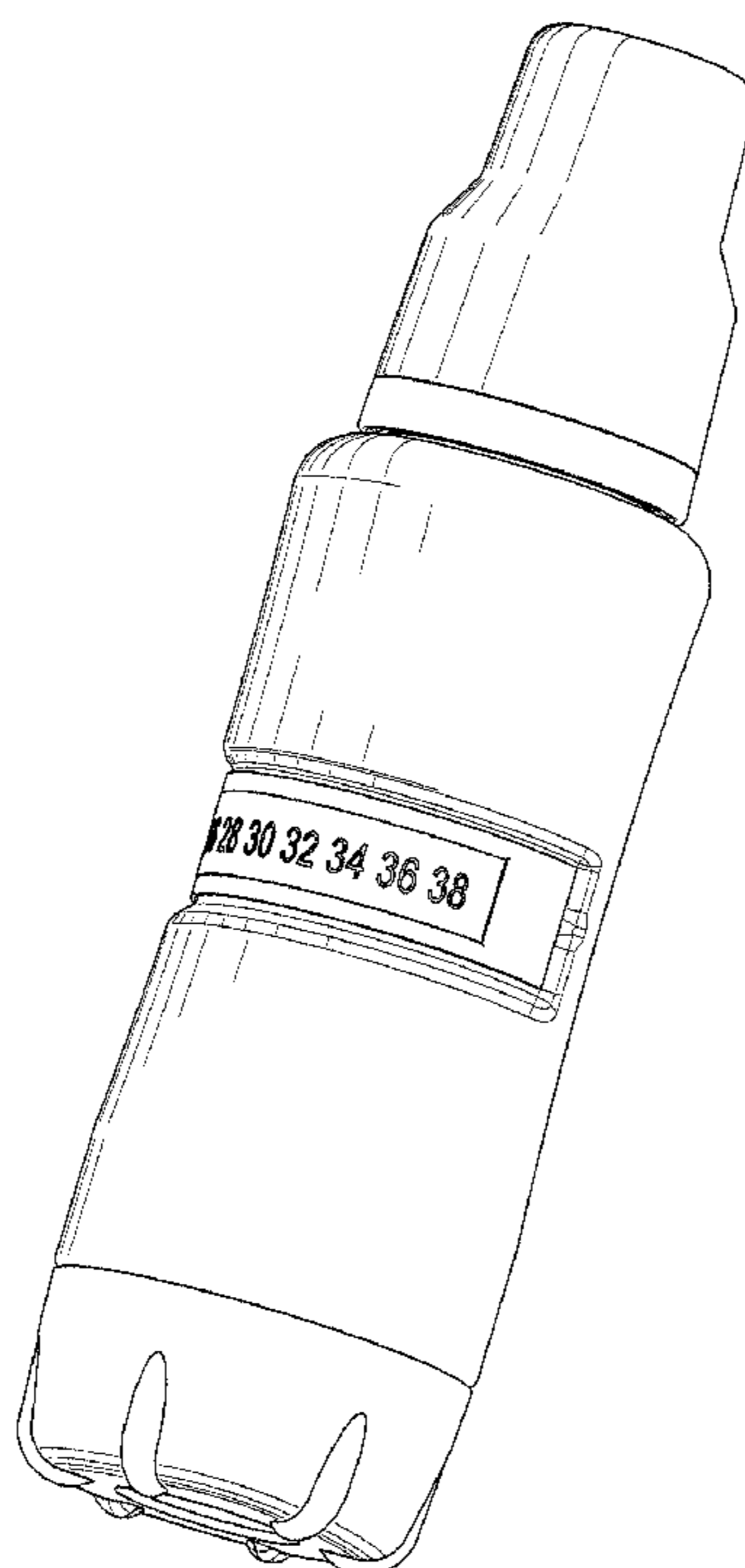
(57) **CLAIM**

The ornamental design for a self-heating feeding bottle, as shown and described.

DESCRIPTION

FIG. 1 is a top view of a self-heating feeding bottle showing my new design;
FIG. 2 is a right side view thereof;
FIG. 3 is a left side view thereof;
FIG. 4 is a rear view thereof;
FIG. 5 is a right side view thereof;
FIG. 6 is a right side cross-sectional view thereof, from line 6-6 as shown in FIG. 4;
FIG. 7 is a front view thereof; and,
FIG. 8 is a bottom view thereof.
The broken lines illustrate portions of the self-heating feeding bottle which forms no part of the claimed design.

1 Claim, 8 Drawing Sheets



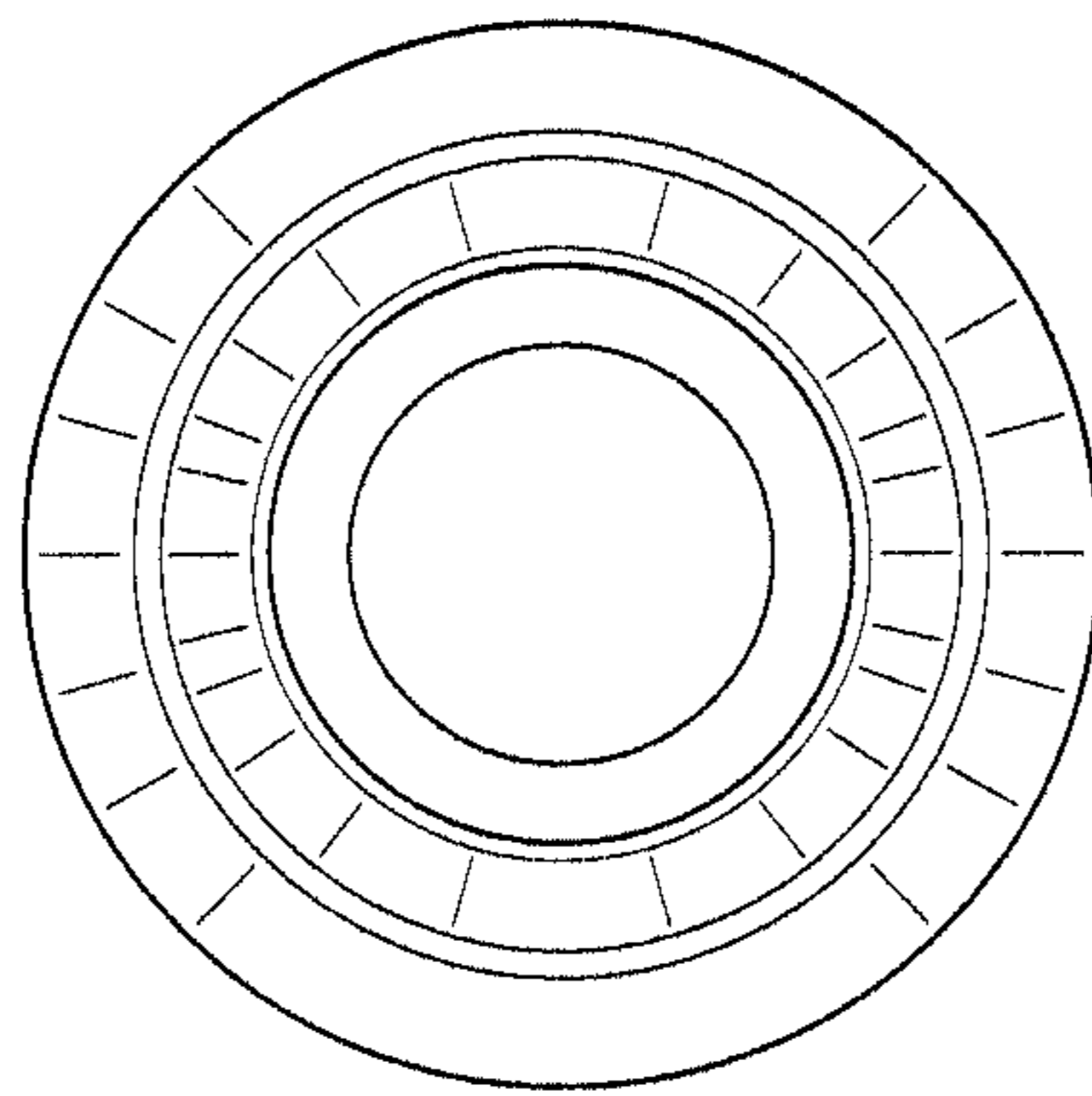


Fig. 1

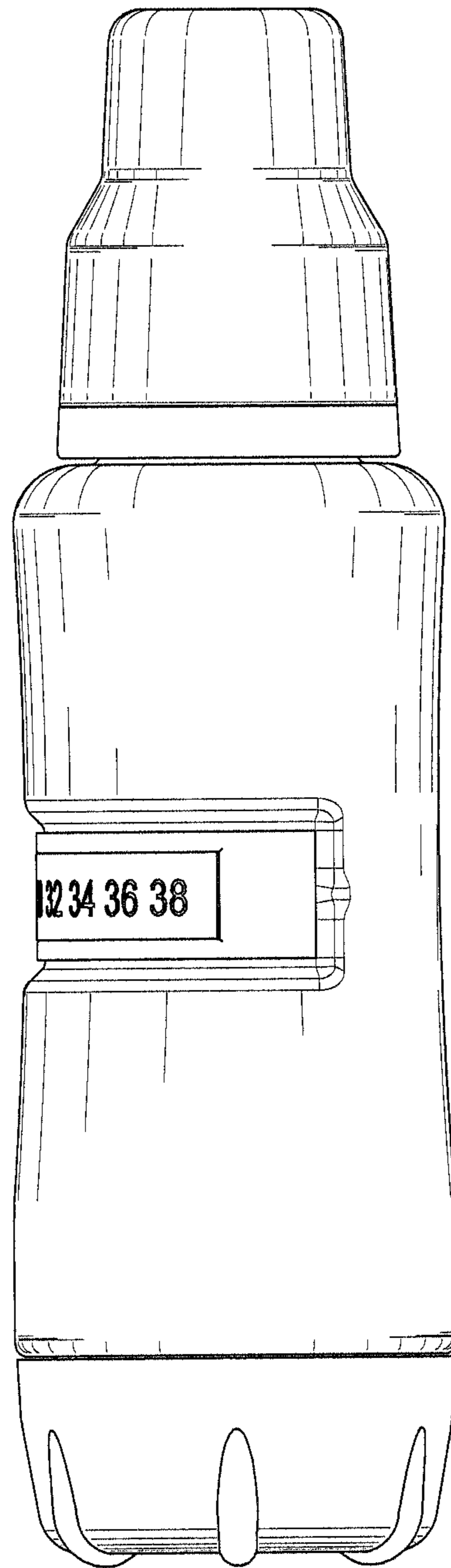


Fig. 2

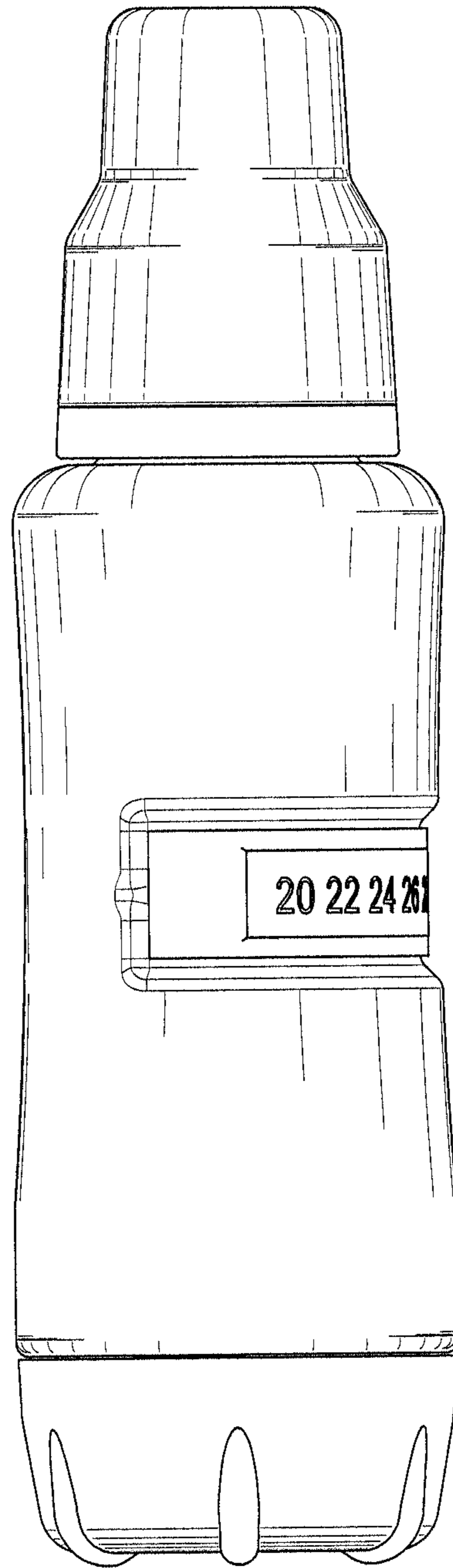


Fig. 3

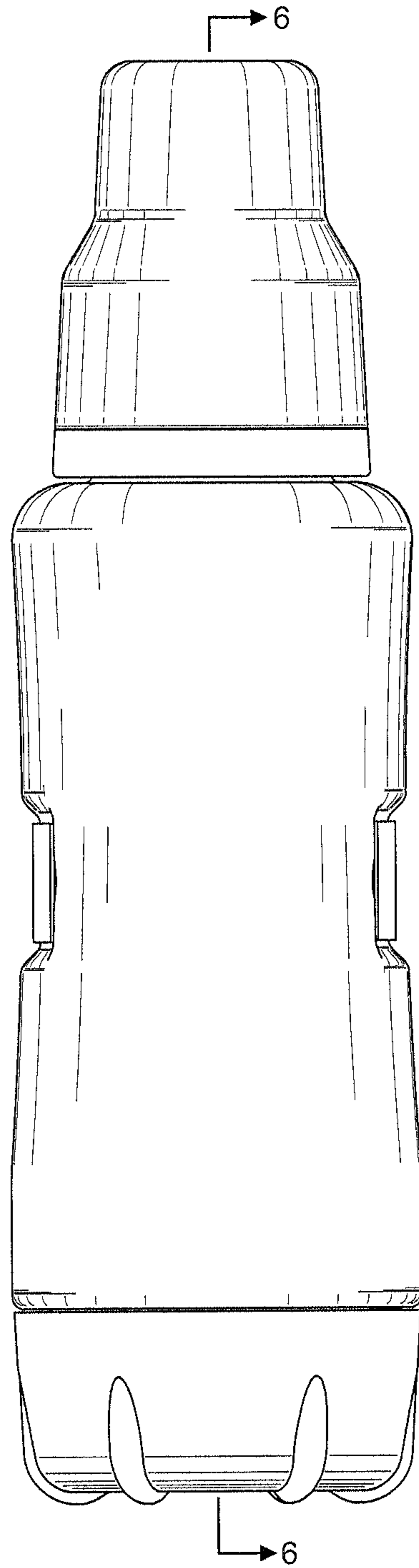


Fig. 4

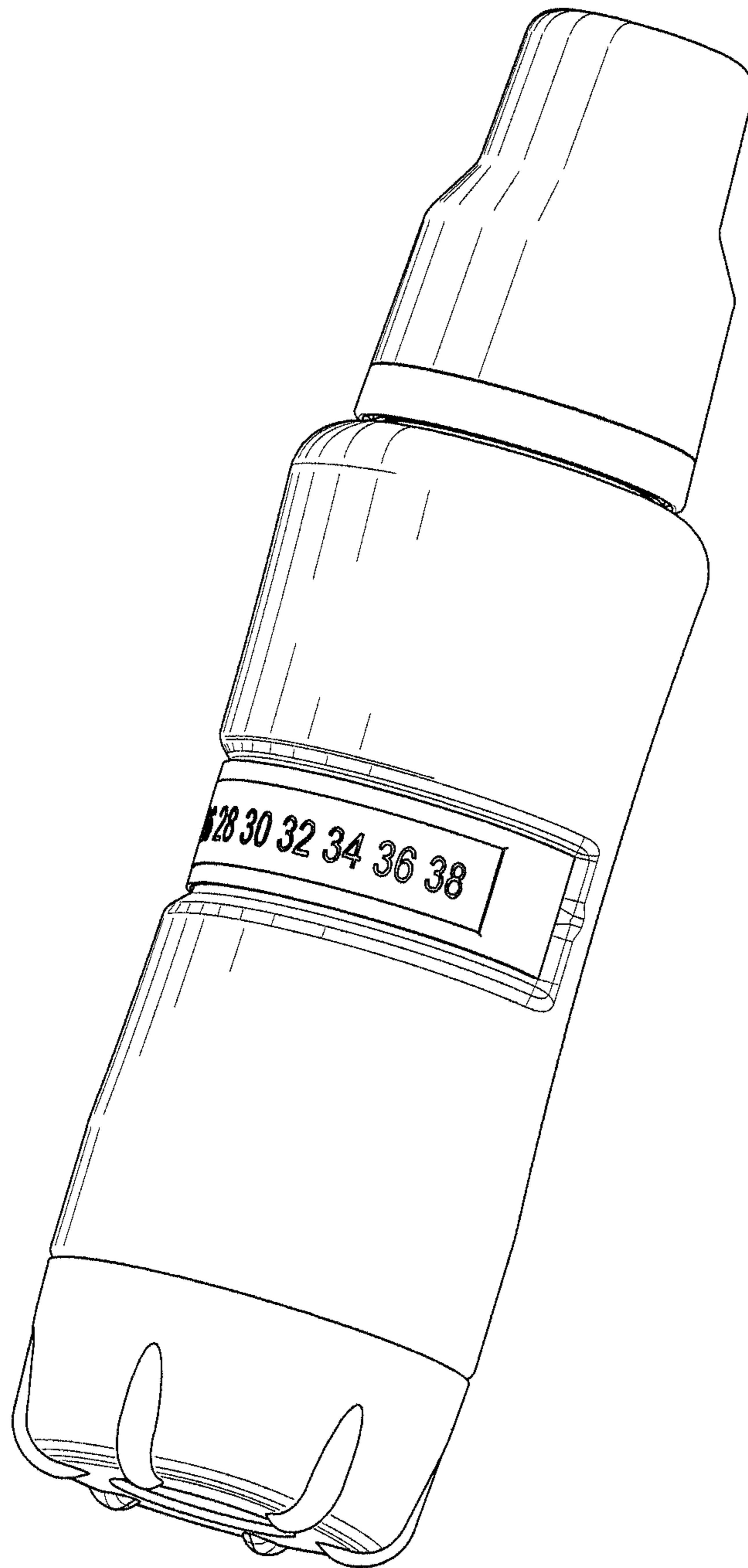


Fig. 5

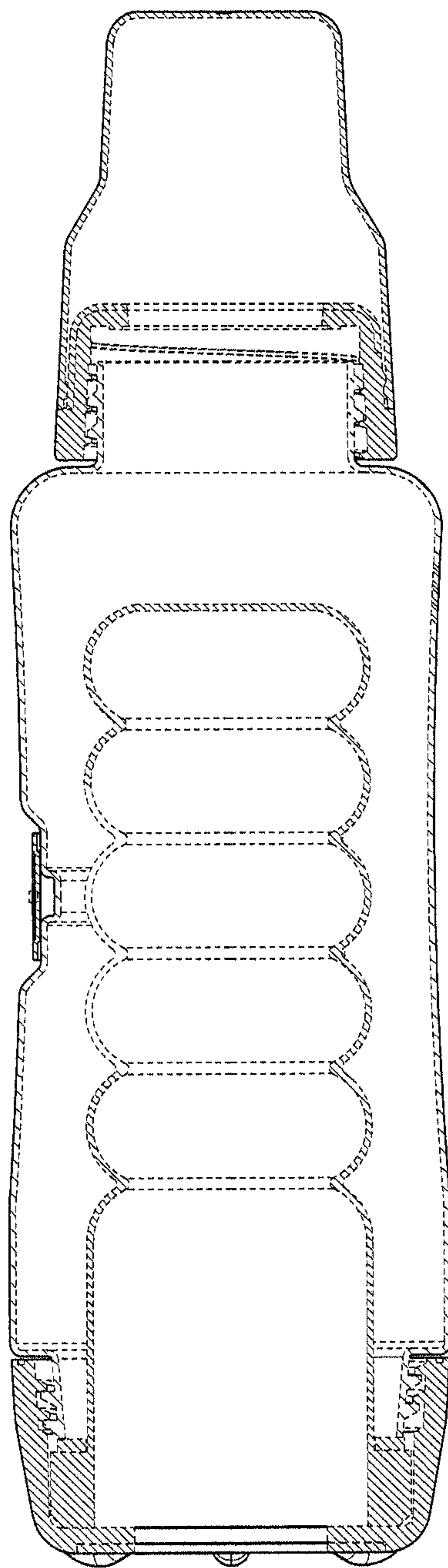


Fig. 6

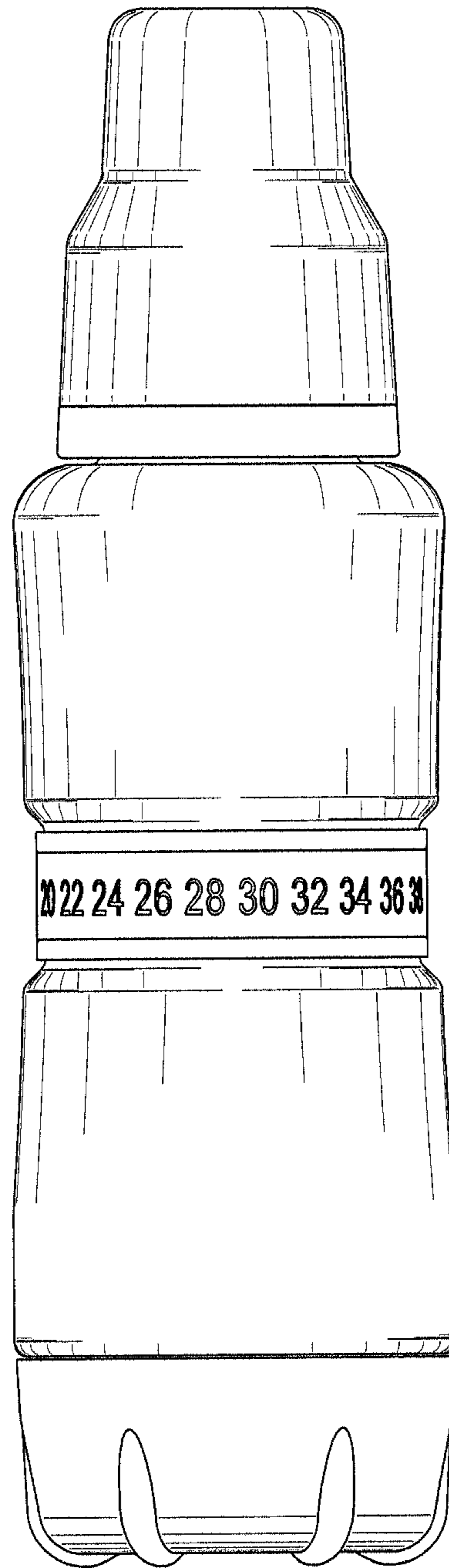


Fig. 7

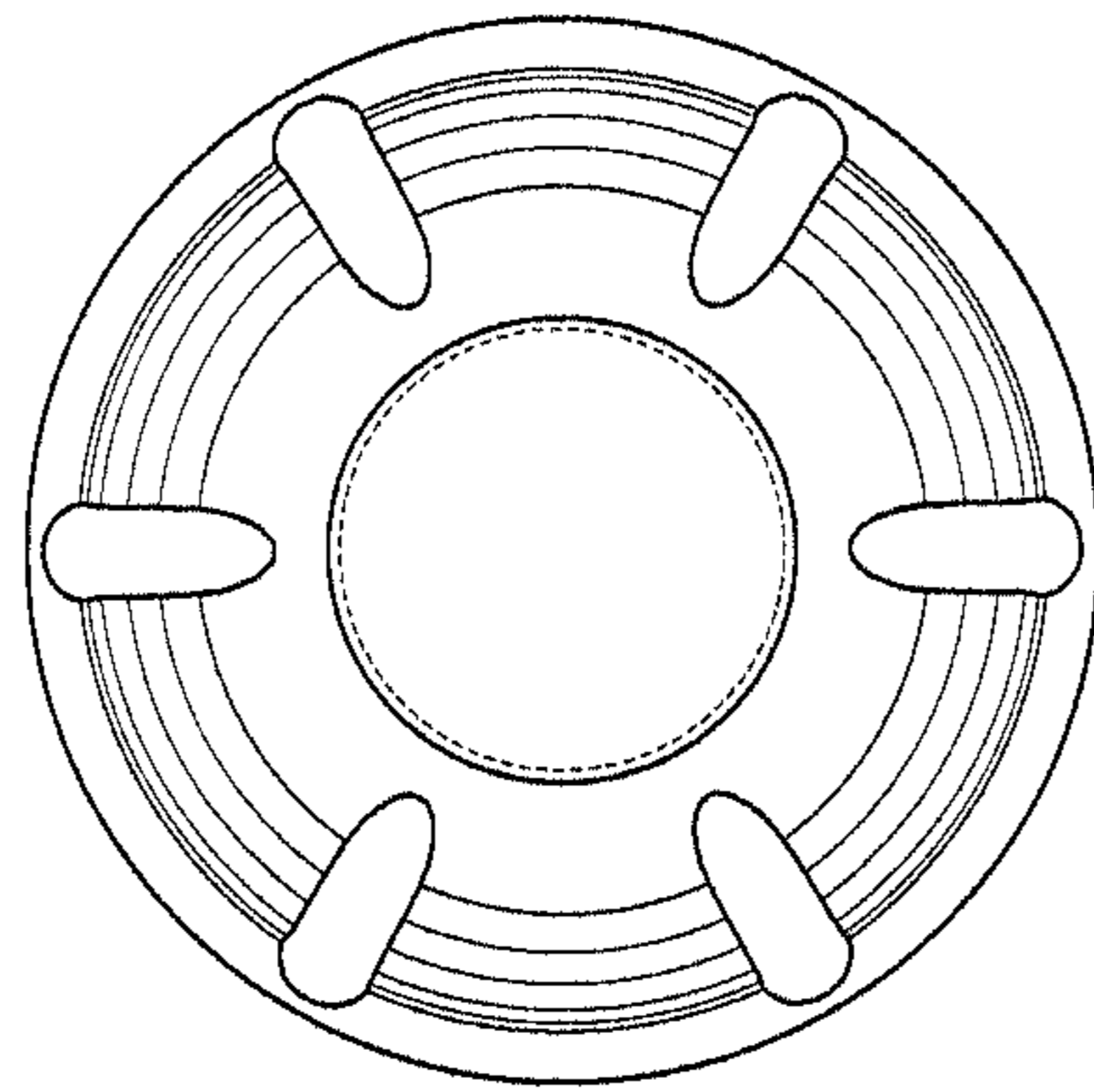


Fig. 8