



US00D757277S

(12) **United States Design Patent**
Chen

(10) **Patent No.:** **US D757,277 S**

(45) **Date of Patent:** **** *May 24, 2016**

(54) **WRISTGUARD**

(71) Applicant: **Tsan-Jee Chen**, Taipei (TW)

(72) Inventor: **Tsan-Jee Chen**, Taipei (TW)

(*) Notice: This patent is subject to a terminal disclaimer.

(**) Term: **14 Years**

(21) Appl. No.: **29/461,102**

(22) Filed: **Jul. 18, 2013**

Related U.S. Application Data

(63) Continuation-in-part of application No. 29/419,981, filed on May 3, 2012, now abandoned.

(51) **LOC (10) Cl.** **24-04**

(52) **U.S. Cl.**

USPC **D24/190**

(58) **Field of Classification Search**

USPC D24/189-190; 602/3-7, 13, 16, 20-22, 602/36, 60, 64, 65; D29/120.1, 121.1, 113; 128/877, 878, 879, 881, 882, 892, 128/DIG. 19; 473/59, 62, 213; 2/16, 20, 59, 2/159, 161.1, 161.6, 170

See application file for complete search history.

(56) **References Cited**

U.S. PATENT DOCUMENTS

D255,603 S * 6/1980 Finnieston D24/190
5,069,203 A * 12/1991 Anderson 602/21
5,205,812 A * 4/1993 Wasserman 602/5
5,279,545 A * 1/1994 Reese, Sr. 602/21
5,358,471 A * 10/1994 Klotz 602/21
D392,072 S * 3/1998 Levine D29/120.1

D477,088 S * 7/2003 Brown et al. D24/190
D496,465 S * 9/2004 Weaver, II D24/190
6,904,915 B2 * 6/2005 Schuman 128/878
D565,189 S * 3/2008 Gramza et al. D24/190
D603,969 S * 11/2009 Bauerfeind et al. D24/190
D617,464 S * 6/2010 Weaver et al. D24/190
2007/0100266 A1 * 5/2007 Hargrave et al. 602/21

* cited by examiner

Primary Examiner — Eric Goodman

Assistant Examiner — Jennifer Watkins

(74) *Attorney, Agent, or Firm* — Ming Chow; Sinorica, LLC

(57) **CLAIM**

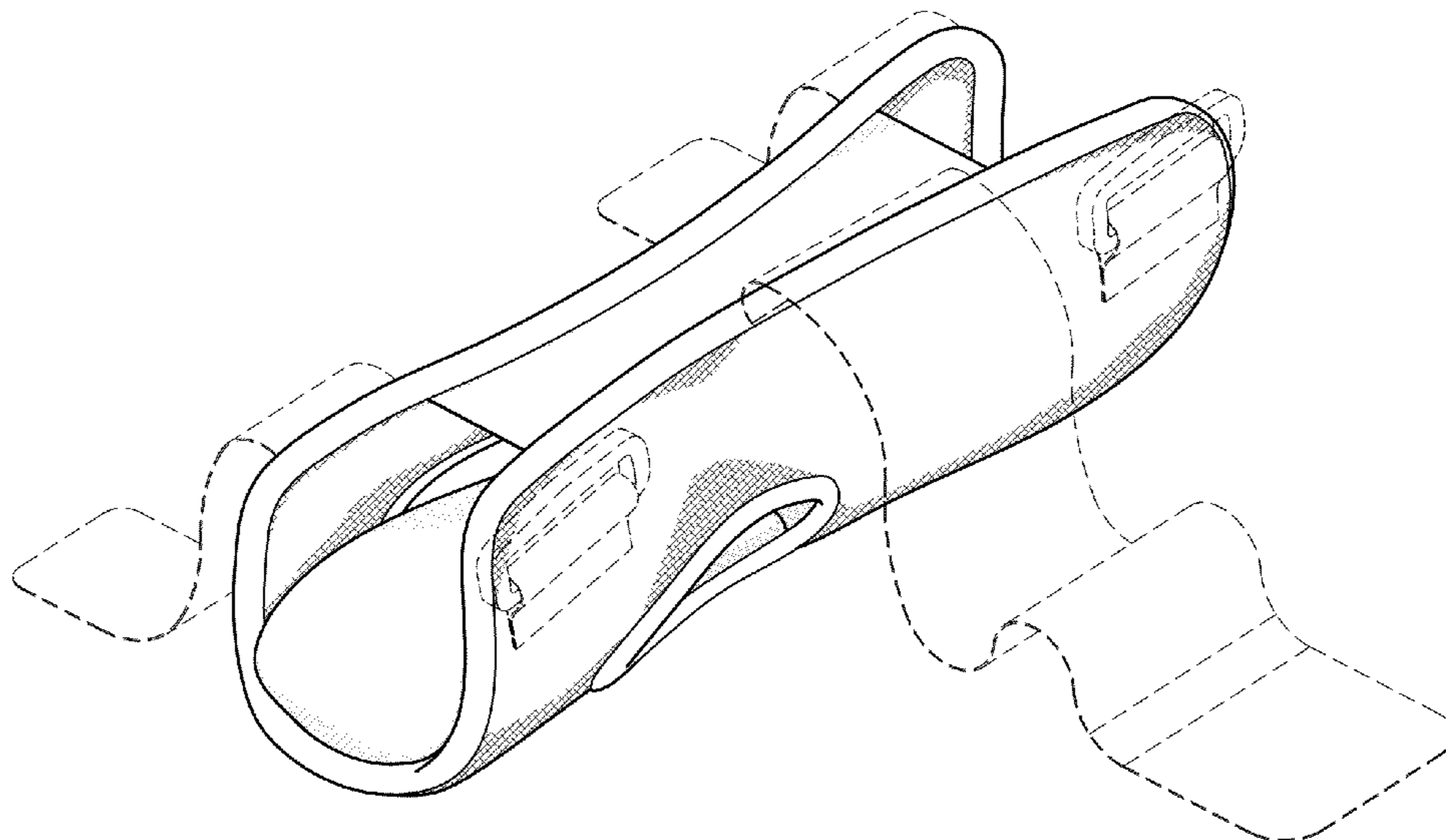
I claim the ornamental design for a wristguard, as shown and described.

DESCRIPTION

FIG. 1 is a front right perspective view of a wristguard showing my new design;
FIG. 2 is a front elevation view thereof;
FIG. 3 is a rear elevation view thereof;
FIG. 4 is a left side elevation view thereof;
FIG. 5 is a right side elevation view thereof;
FIG. 6 is a top plan view thereof;
FIG. 7 is a bottom plan view thereof;
FIG. 8 is a side sectional view thereof, taken along line 8-8 of FIG. 6; and,
FIG. 9 is a front right perspective view thereof, shown in condition of use.

The broken line showing is for the purpose of illustrating portions of the article that form no part of the claimed design. The broken line illustrating a hand in FIG. 9 shows environmental structure that forms no part of the claimed design.

1 Claim, 8 Drawing Sheets



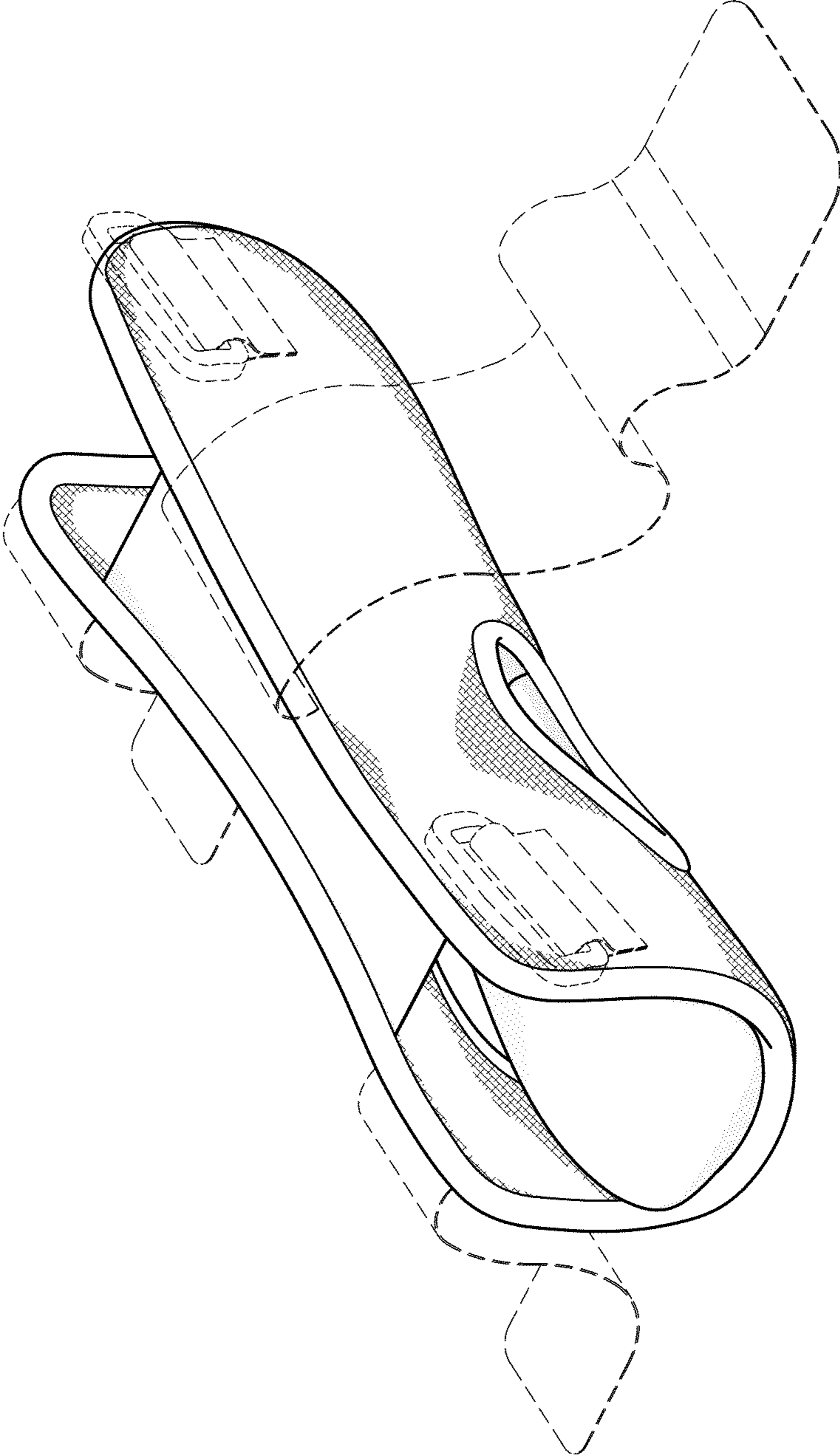


FIG. 1

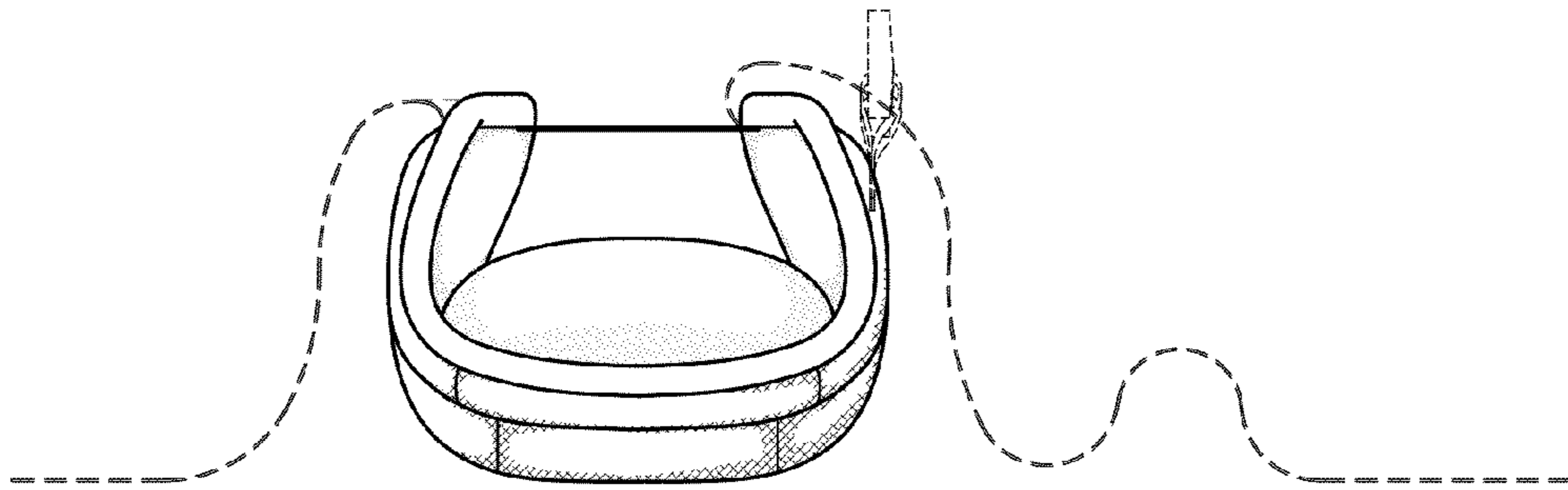


FIG. 2

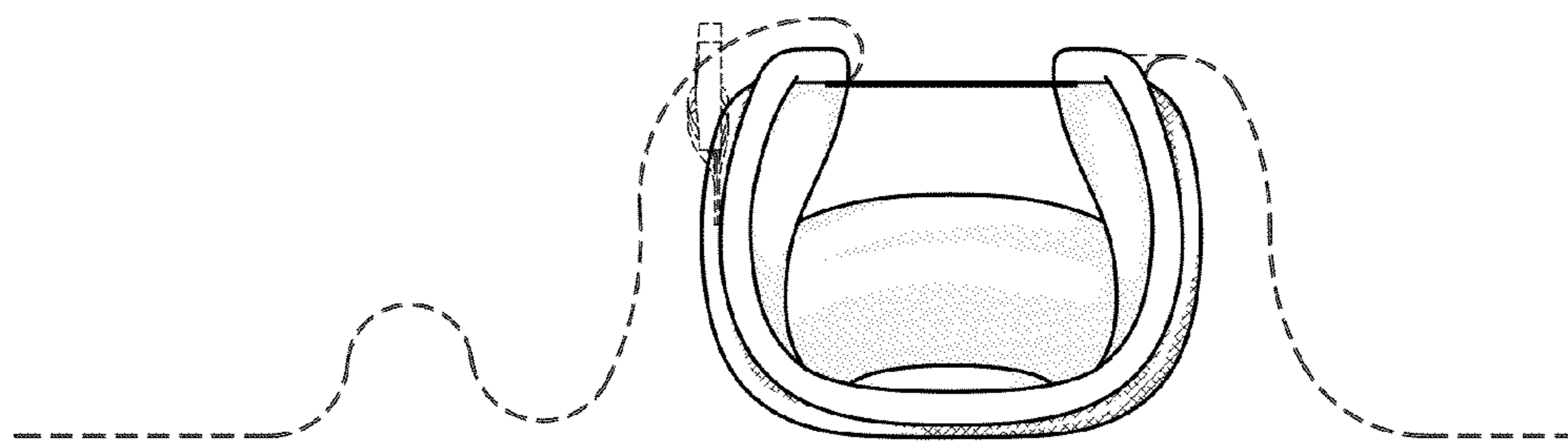


FIG. 3

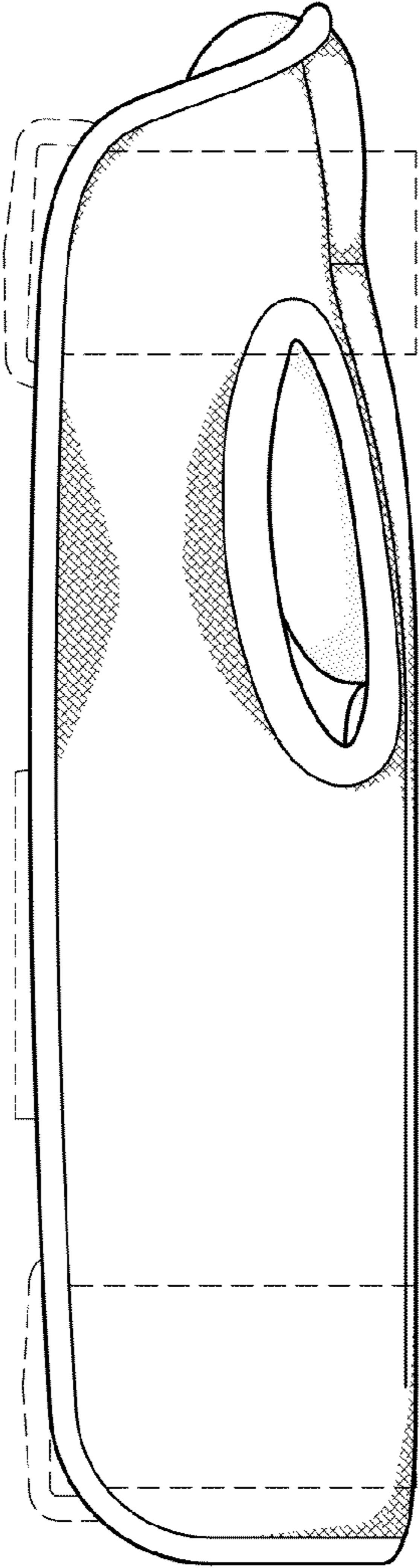


FIG. 4

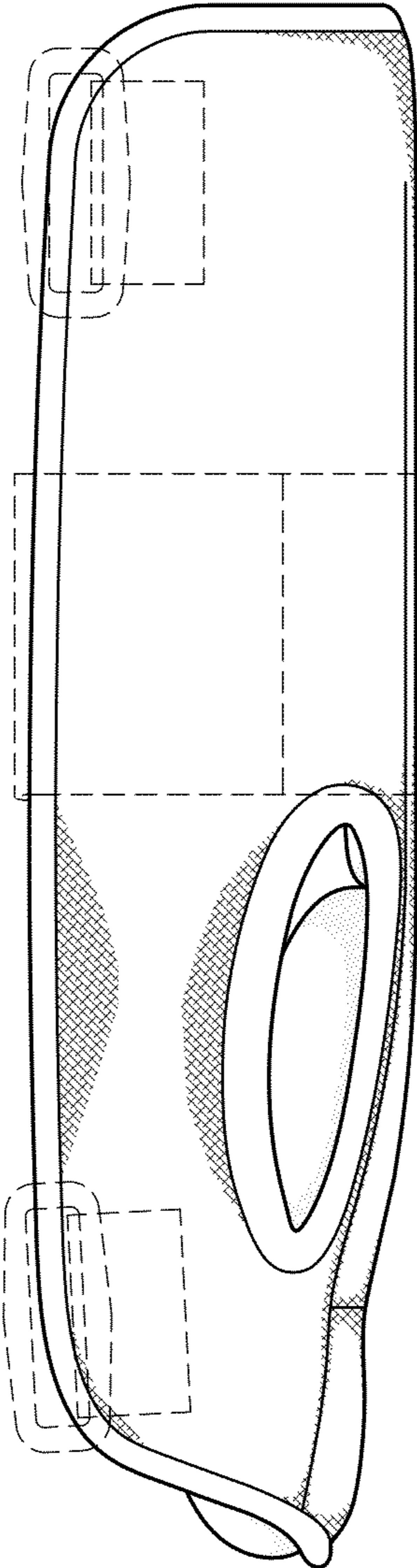


FIG. 5

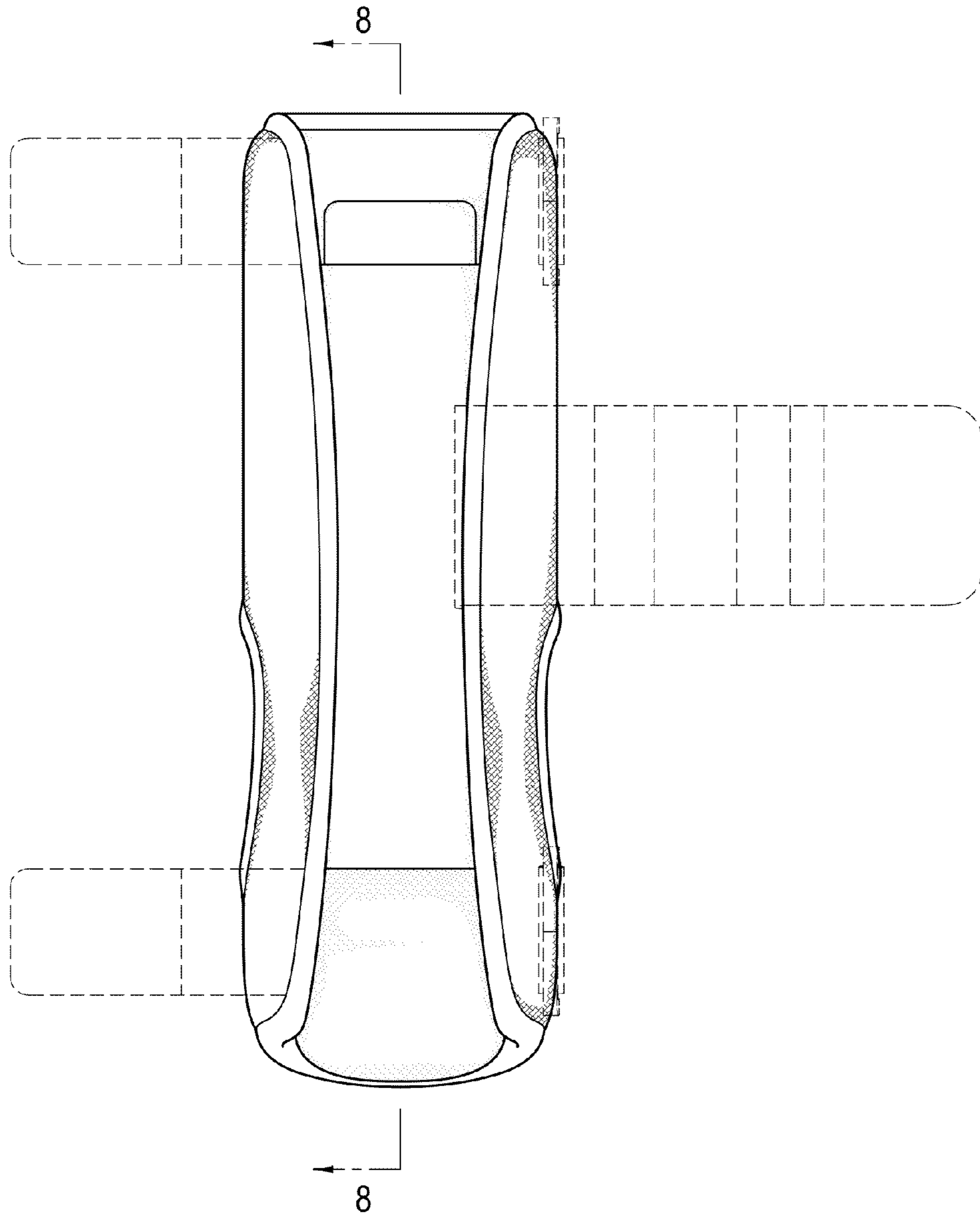


FIG. 6

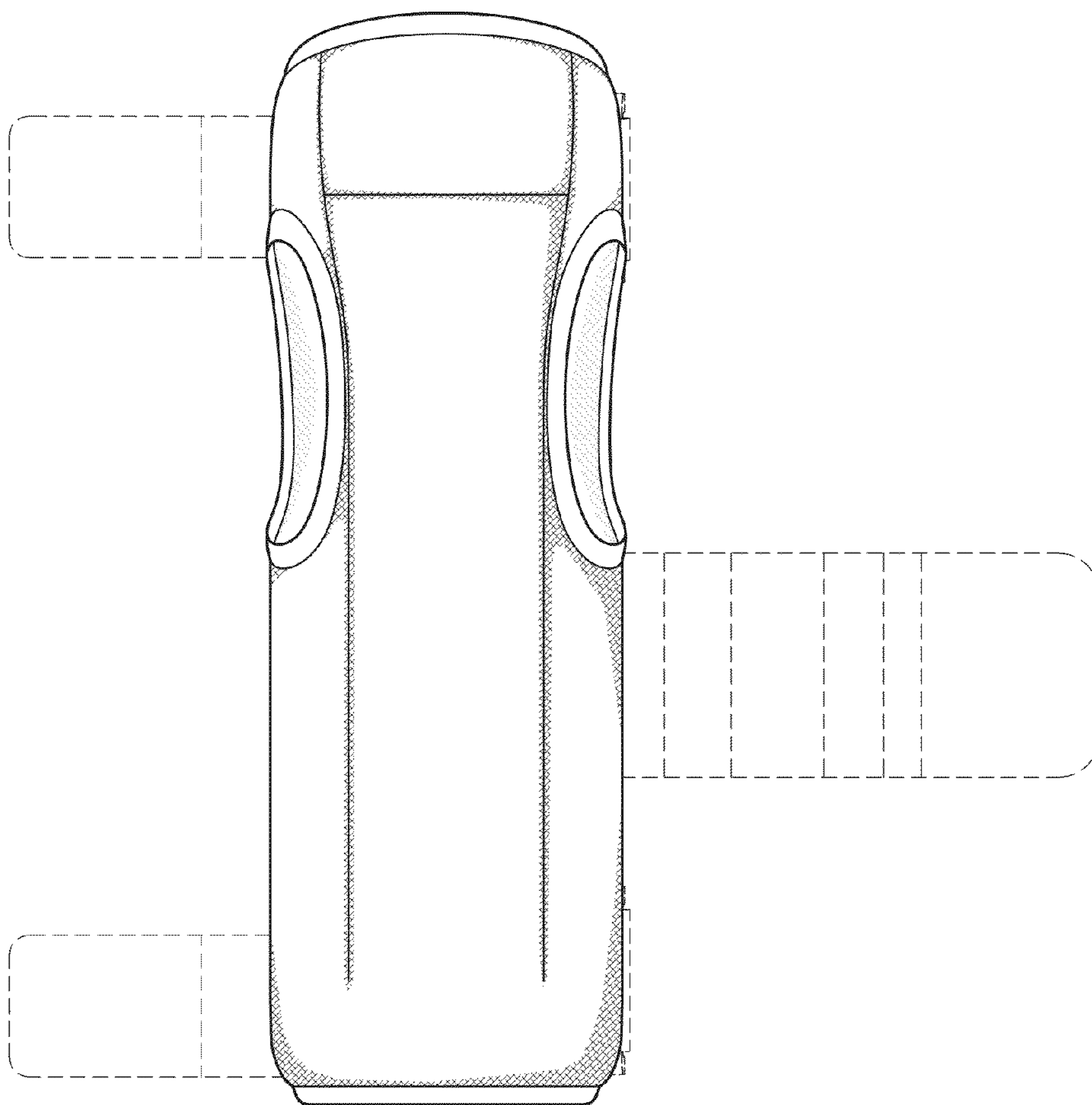


FIG. 7

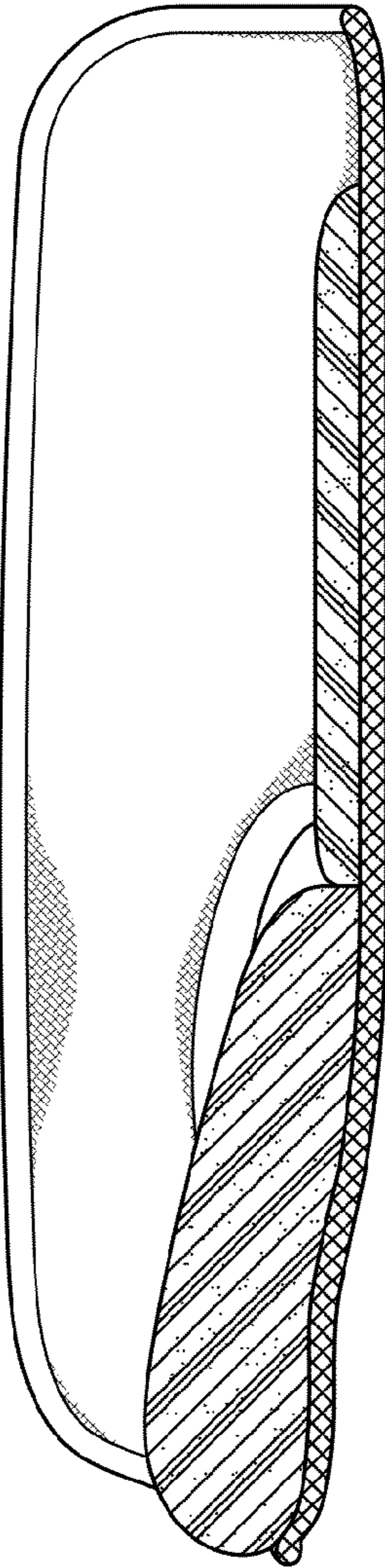


FIG. 8

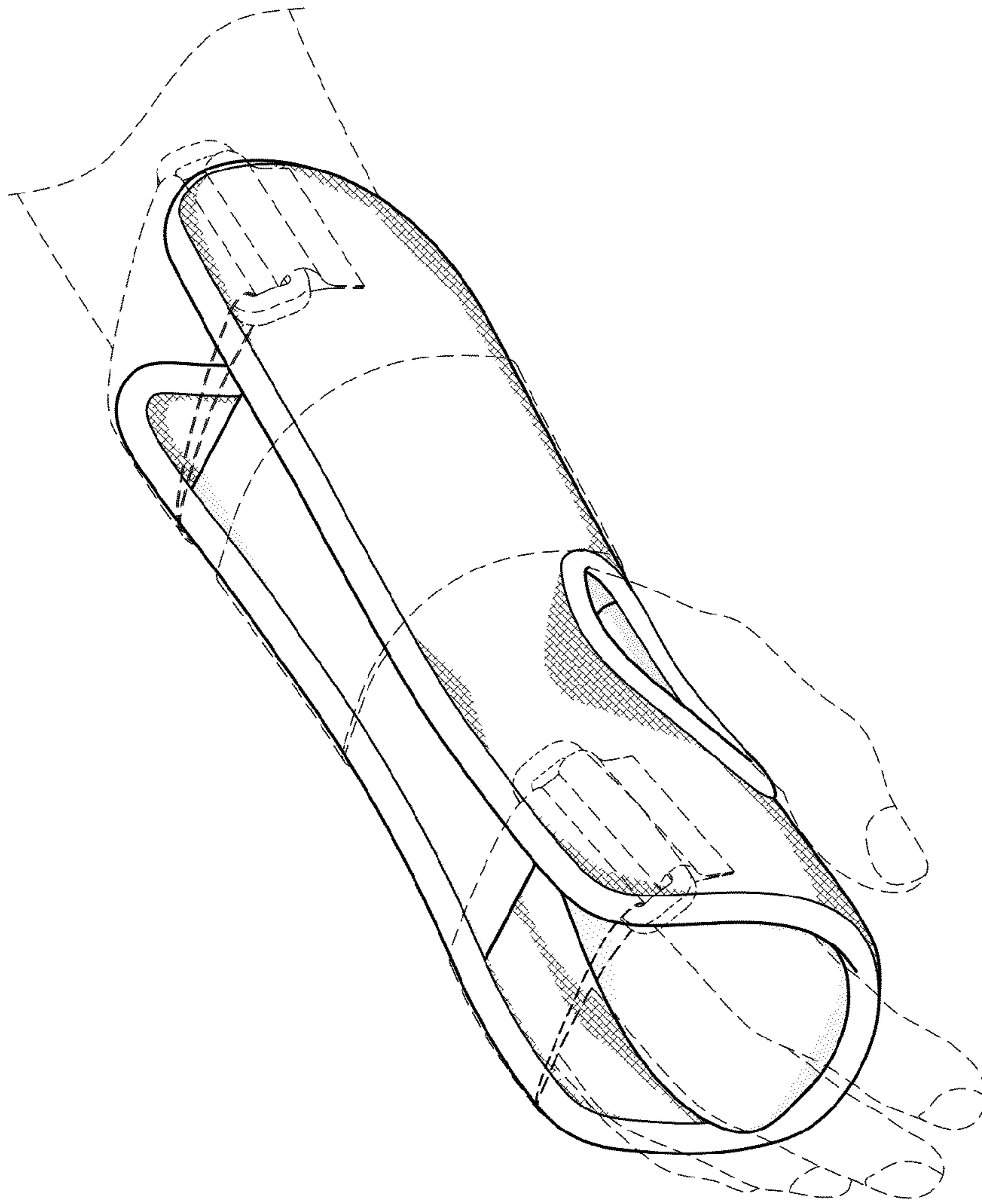


FIG. 9