



US00D757272S

(12) **United States Design Patent**
Distler et al.

(10) **Patent No.:** **US D757,272 S**
(45) **Date of Patent:** **** May 24, 2016**

(54) **DISPLAY SCREEN WITH VERTICALLY CENTERED TEXT LINES**

(71) Applicant: **DEKA Products Limited Partnership**,
Manchester, NH (US)

(72) Inventors: **Gregory L. Distler**, Huntsville, AL
(US); **David E. Collins**, Groveland, MA
(US)

(73) Assignee: **DEKA Products Limited Partnership**,
Manchester, NH (US)

(**) Term: **14 Years**

(21) Appl. No.: **29/493,103**

(22) Filed: **Jun. 5, 2014**

(51) **LOC (10) Cl.** **24-01**

(52) **U.S. Cl.**
USPC **D24/169**

(58) **Field of Classification Search**
USPC D24/169, 186, 107, 108, 111, 216, 219,
D24/232; 604/27, 29, 131, 132, 140, 141,
604/146, 6.01–6.05, 6.11, 6.13–6.16, 151;
D14/371
CPC A61M 1/28; A61M 1/281; A61M 1/282;
A61M 1/3621; A61M 2205/12
See application file for complete search history.

(56) **References Cited**

U.S. PATENT DOCUMENTS

D308,249	S	*	5/1990	Buckley	D24/169
D341,890	S	*	11/1993	Sievert	D24/169
D351,470	S	*	10/1994	Scherer	D24/169
5,628,908	A	*	5/1997	Kamen	A61M 1/28 210/180
D393,314	S	*	4/1998	Meisner	D24/169
D534,275	S	*	12/2006	Hayamizu	D24/107
D556,910	S	*	12/2007	Reihanifam	D24/169
D609,350	S	*	2/2010	Hickey	D24/186
8,512,553	B2	*	8/2013	Cicchello	A61M 1/1694 210/103
8,597,229	B2		12/2013	Pan		

2004/0202561	A1*	10/2004	Hershberger	A61B 17/32002 417/477.7
2008/0015490	A1*	1/2008	Hershberger	A61B 17/32002 604/27
2009/0113335	A1*	4/2009	Sandoe	G06F 19/3406 715/773
2009/0294359	A1	12/2009	Hopping et al.		

OTHER PUBLICATIONS

Ing, Todd S., Mohamed A. Rahman, and Carl M. Kjellstrand, editors. *Dialysis: History, Development, and Promise*. Hackensack, NJ: World Scientific, 2012. 259-269.
Baxter Healthcare Corporation. *HomeChoice: HomeChoice PRO APD Systems Patient At-Home Guide*. N.p.: Baxter Healthcare Corporation, 2009: i, sect.-p. 5-8, 5-10, 20-3, 20-5, 20-19.

* cited by examiner

Primary Examiner — Anhdao Doan

(74) *Attorney, Agent, or Firm* — Marc J. Gorayeb

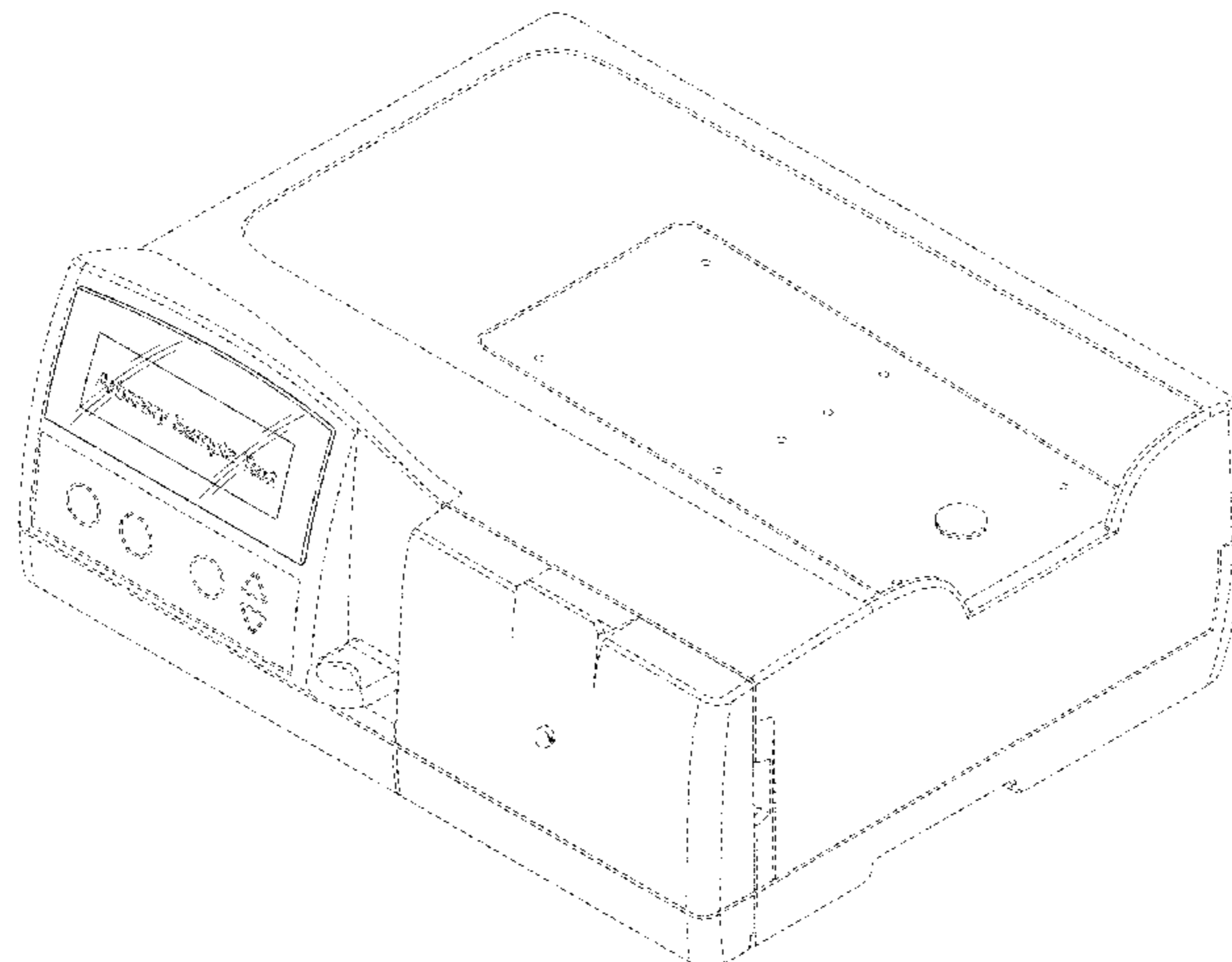
(57) **CLAIM**

The ornamental design for a display screen with vertically centered text lines, as shown and described.

DESCRIPTION

FIG. 1 is a front, top, right perspective view of the display screen with vertically centered text lines, showing the new design; and
FIG. 2 is a front view thereof;
FIG. 3 is a front, top, left perspective view thereof;
FIG. 4 is another front, top, right perspective view thereof, showing the display of two lines of text;
FIG. 5 is another front view thereof, showing the display of two lines of text; and,
FIG. 6 is another front, top, left perspective view thereof, showing the display of two lines of text.
The broken lines shown on the display screen represent environmental subject matter. The displayed text is for exemplary purposes only; any text may be used in the design. Other broken lines represent unclaimed portions of the design. None of the broken lines form a part of the claimed design.

1 Claim, 6 Drawing Sheets



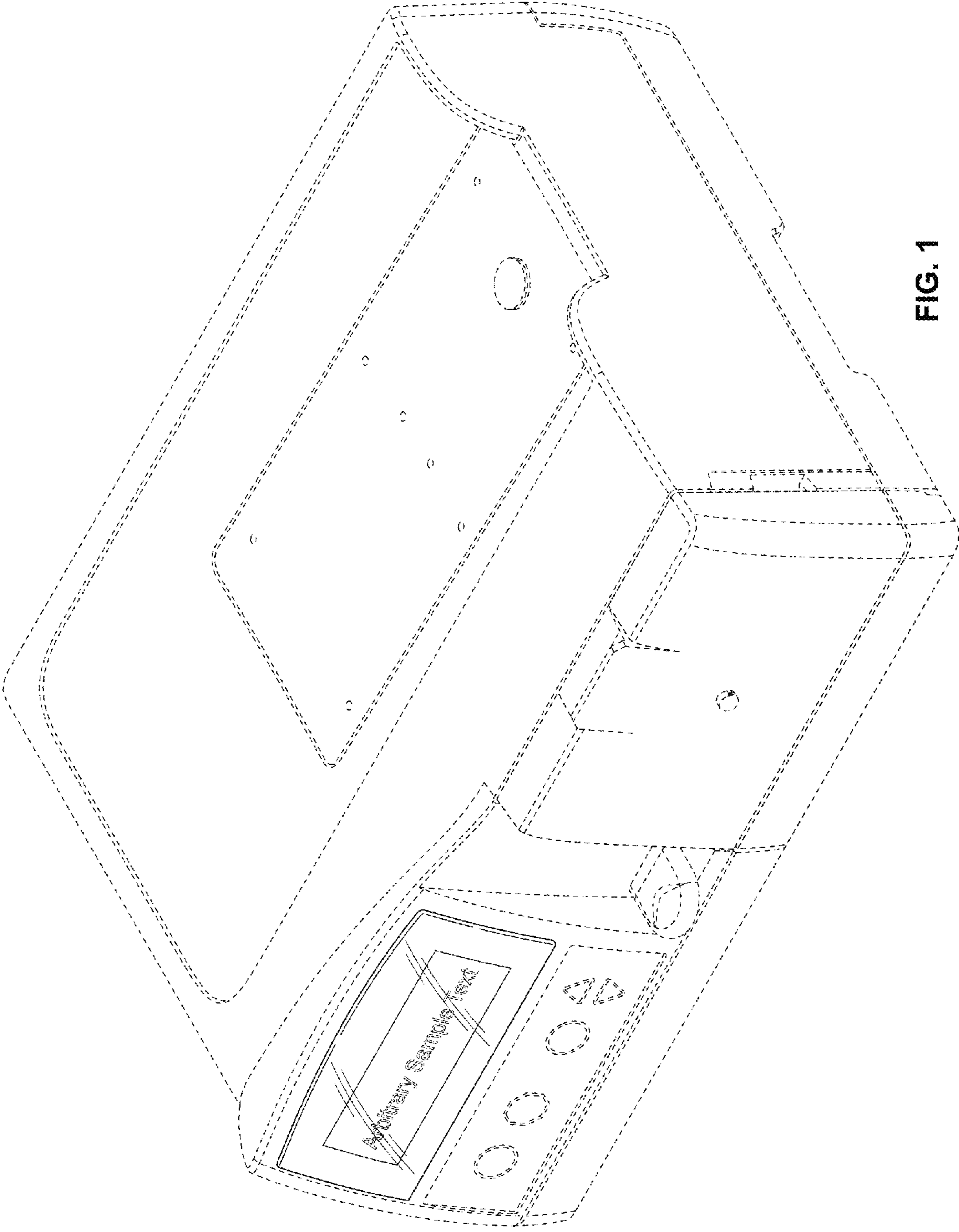


FIG. 1

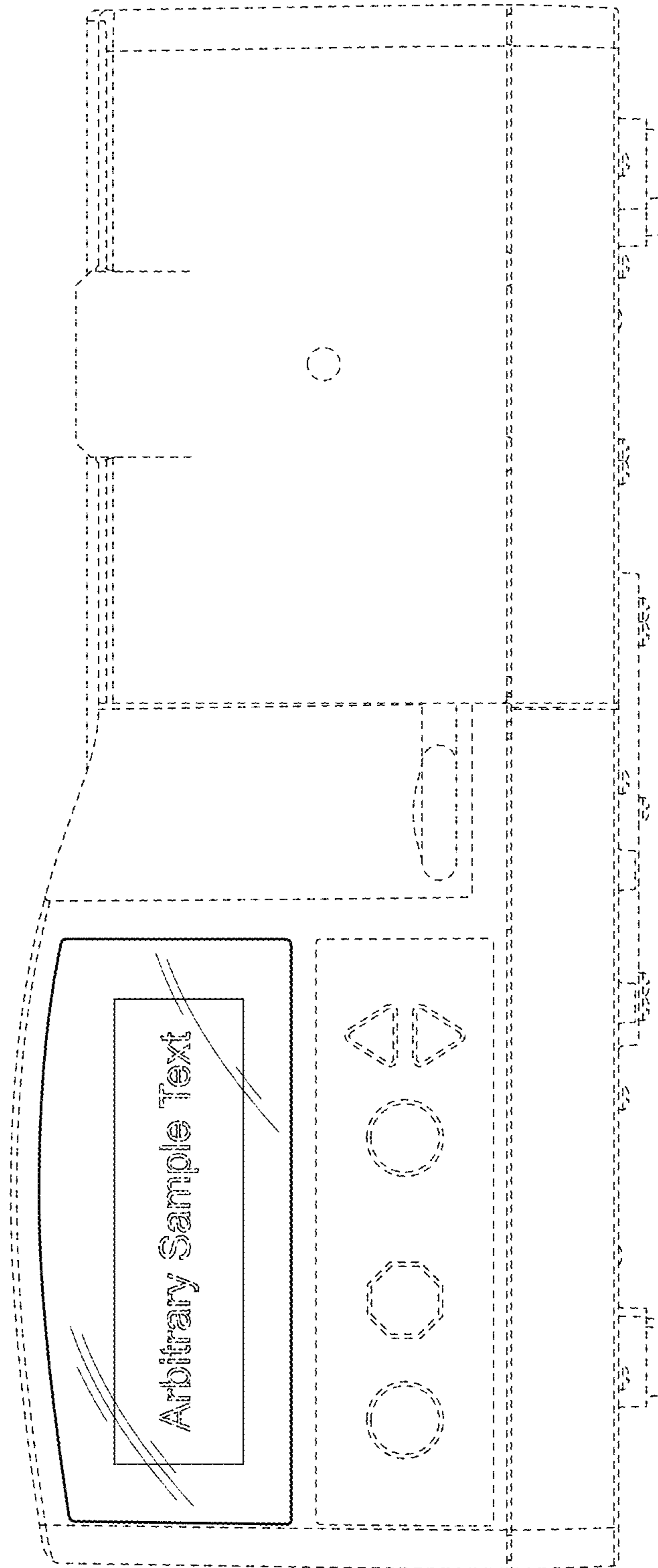


FIG. 2

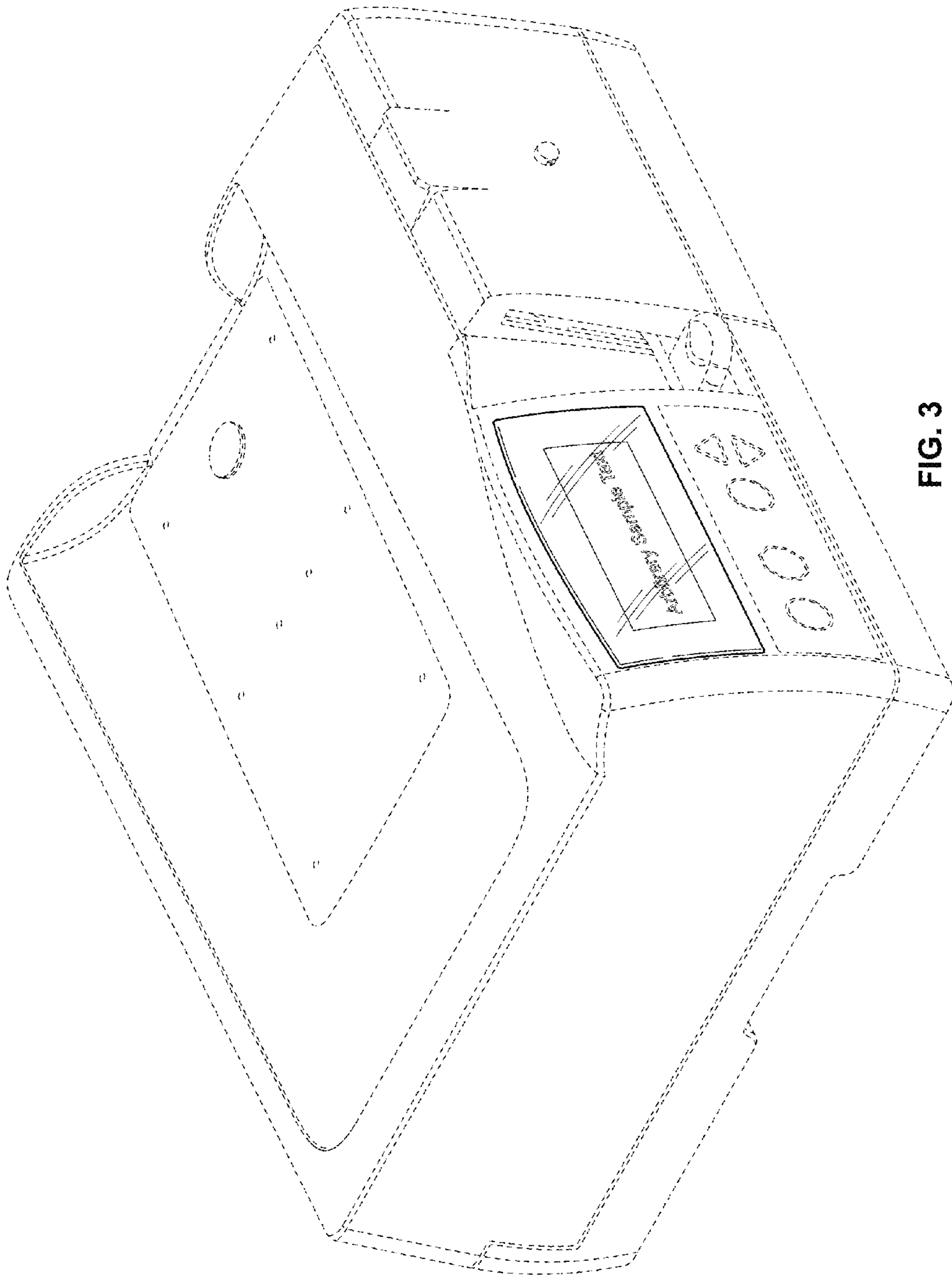


FIG. 3

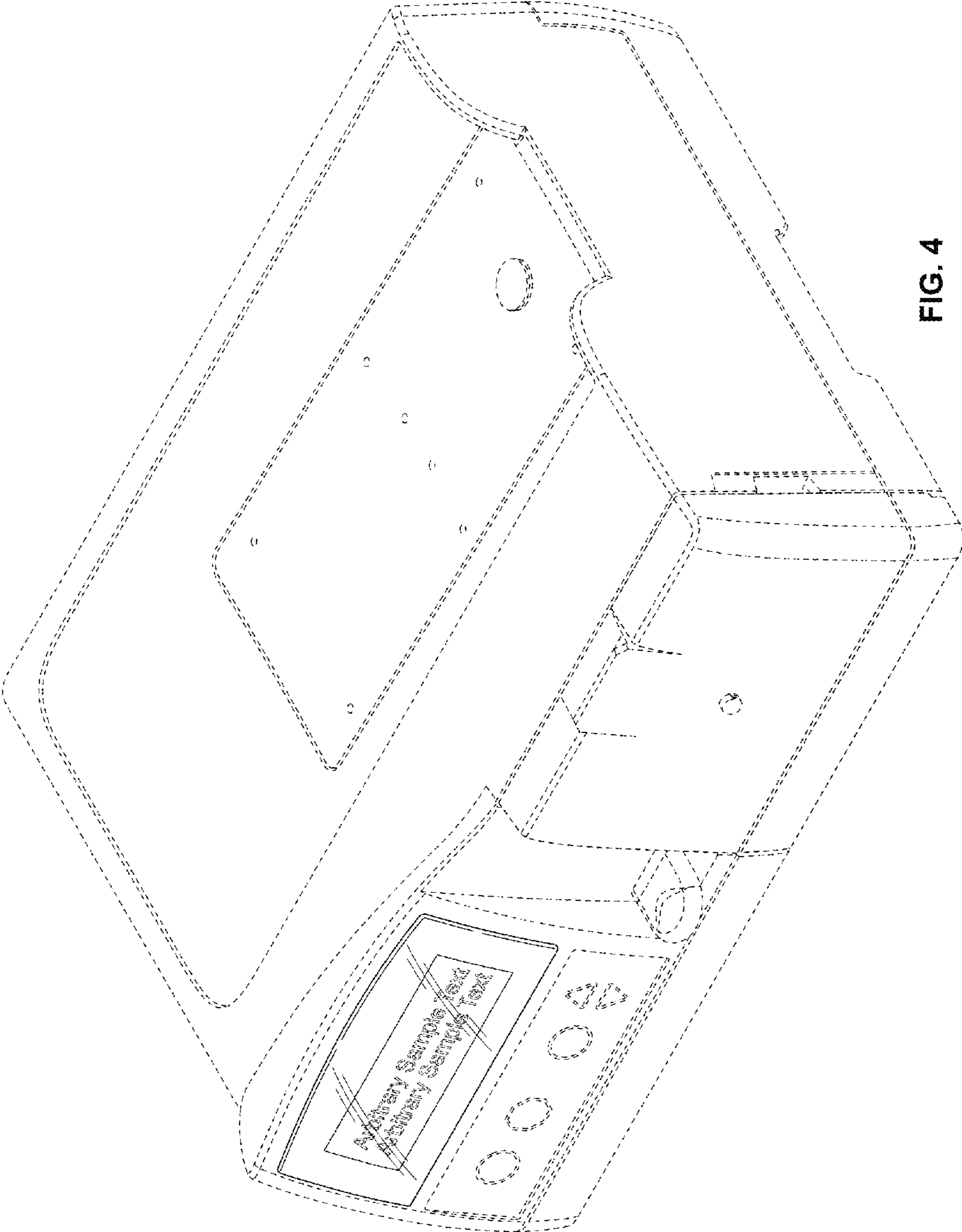


FIG. 4

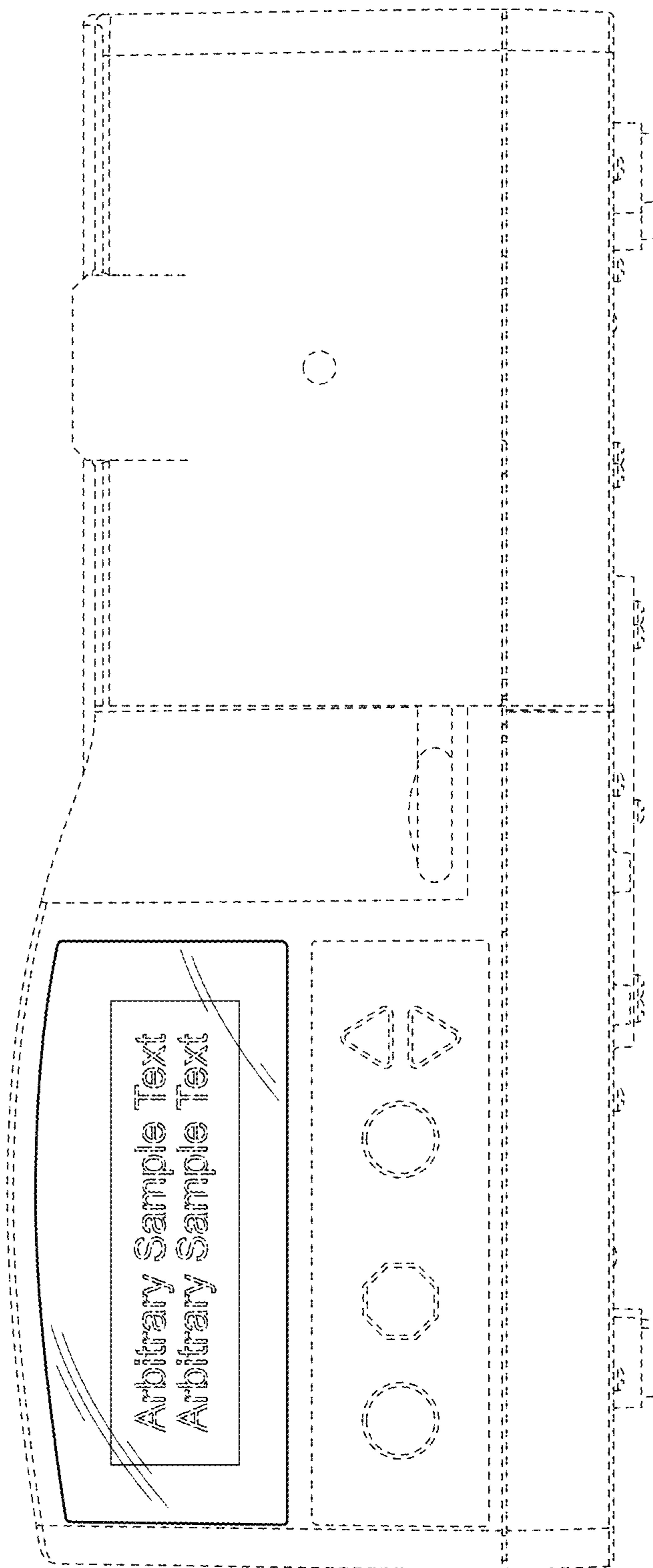


FIG. 5

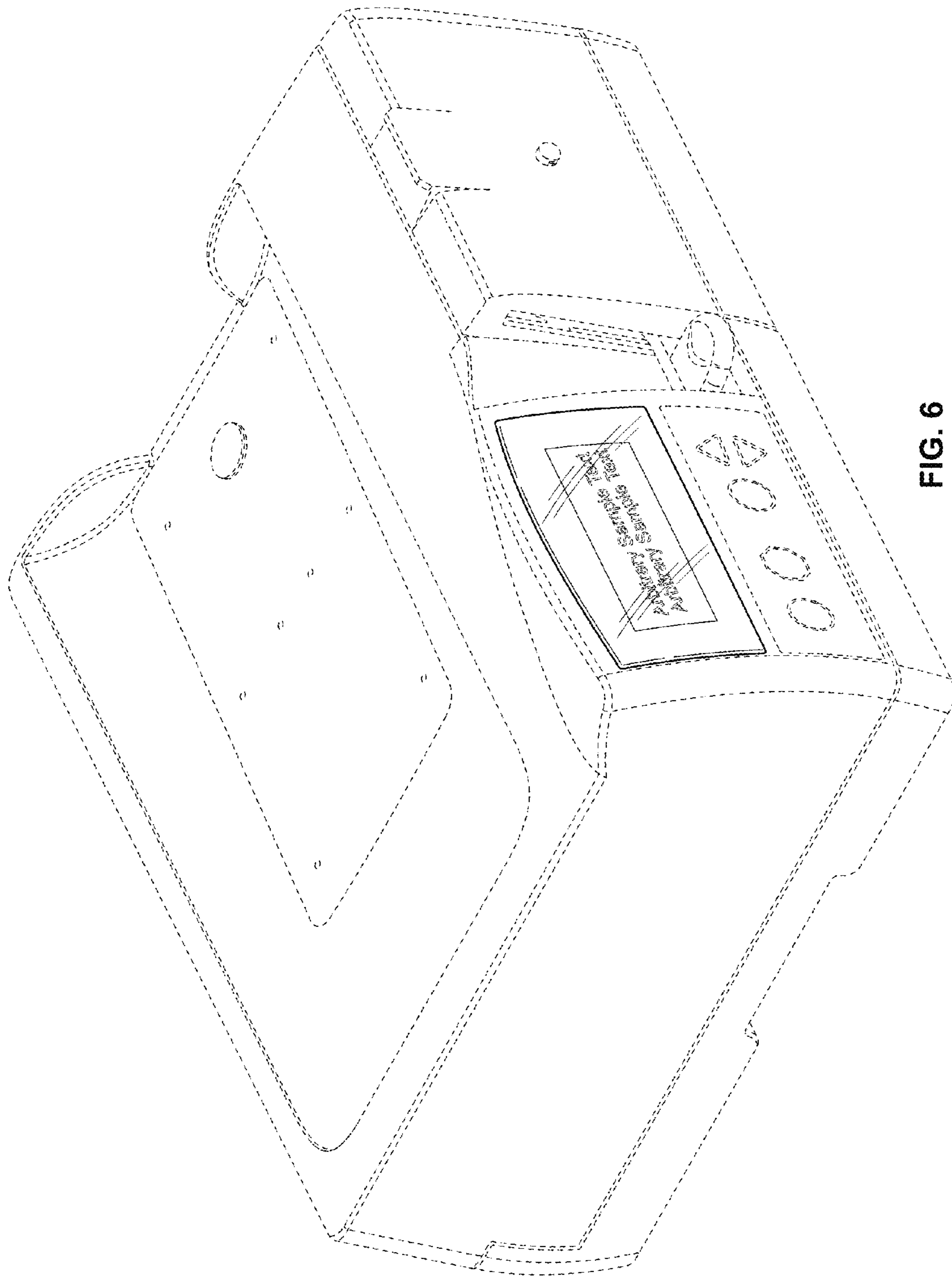


FIG. 6