



US00D757271S

(12) **United States Design Patent**
Lecuyer et al.

(10) **Patent No.:** **US D757,271 S**
(45) **Date of Patent:** **** May 24, 2016**

- (54) **DENTAL MOUNT FOR CEPHALOMETRIC IMAGING MODULE**
- (71) Applicant: **Carestream Health, Inc.**, Rochester, NY (US)
- (72) Inventors: **Yann Lecuyer**, Paris (FR); **Olivier Martino**, Marne La Vallee (FR); **Sylvie M. Bothorel**, Paris (FR)
- (**) Term: **14 Years**
- (21) Appl. No.: **29/507,869**
- (22) Filed: **Oct. 31, 2014**
- (51) **LOC (10) Cl.** **24-01**
- (52) **U.S. Cl.**
USPC **D24/158**
- (58) **Field of Classification Search**
USPC D24/158-161, 186; 378/4, 21-27, 378/38-40, 102, 196-198, 208, 205
CPC A61B 6/14; A61B 6/587; A61B 6/4028
See application file for complete search history.

D624,186 S *	9/2010	Youn	D24/158
D685,478 S *	7/2013	Lomas	D24/158
D708,336 S *	7/2014	Mattiuzzo	D24/158
2007/0237291 A1 *	10/2007	Nanni	A61B 6/14 378/38
2011/0135055 A1 *	6/2011	Sanchez Calvo et al.	A61B 6/587 378/21

* cited by examiner

Primary Examiner — Anhdao Doan

(57) **CLAIM**

The ornamental design for a dental mount for cephalometric imaging module, as shown and described.

DESCRIPTION

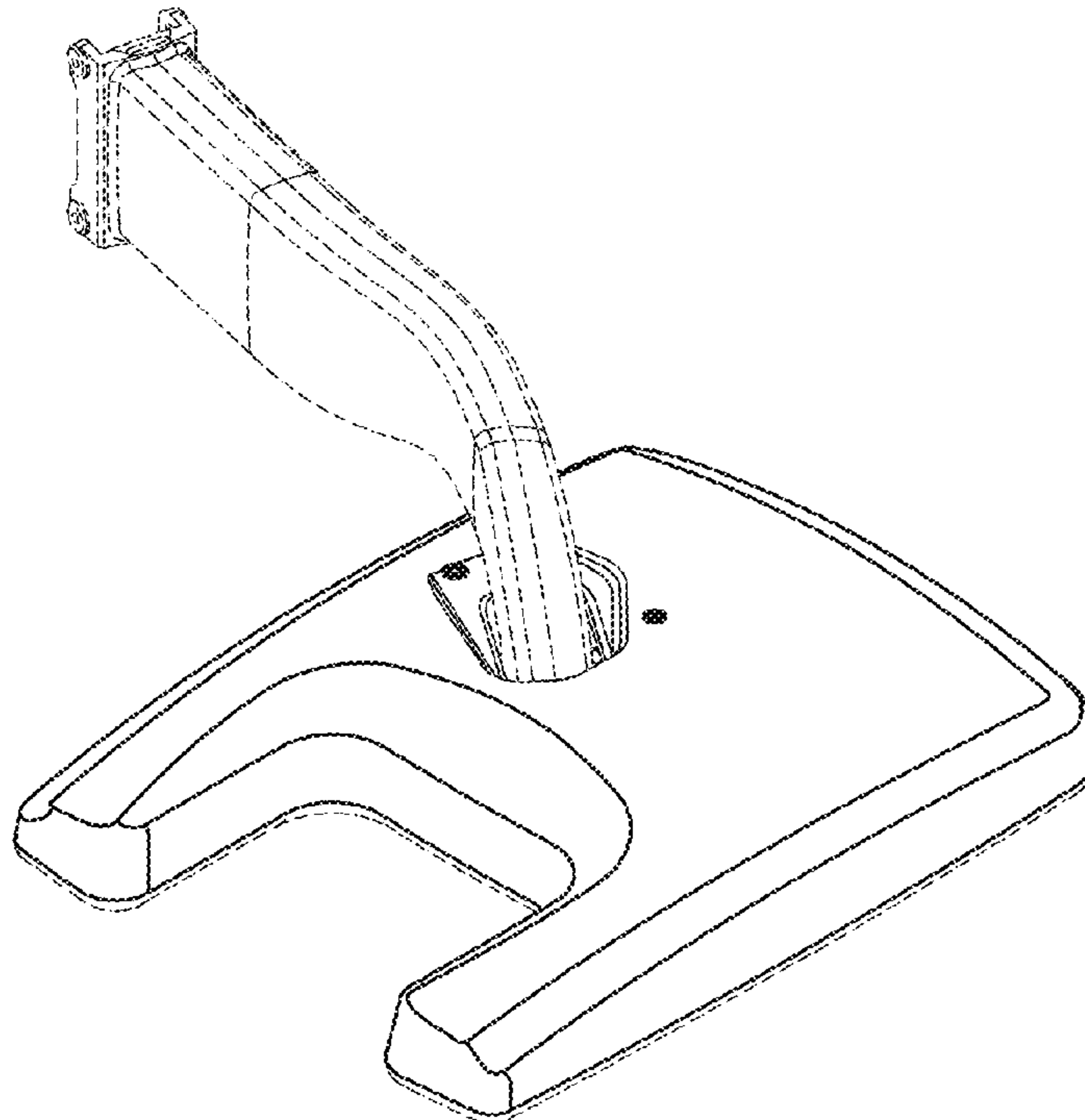
FIG. 1 is a front view of a dental mount for cephalometric imaging module showing our new design.
 FIG. 2 is a left side view thereof.
 FIG. 3 is a right side view thereof.
 FIG. 4 is a top side view thereof.
 FIG. 5 is a bottom side view thereof.
 FIG. 6 is a rear side view thereof; and,
 FIG. 7 is a front perspective view thereof.
 The broken lines immediately adjacent the shaded areas represent the bounds of the claim, and all other broken lines are included for the purpose of illustrating unclaimed portions of the dental mount for cephalometric imaging module. None of the broken lines form a part of the claimed design.

1 Claim, 7 Drawing Sheets

(56) **References Cited**

U.S. PATENT DOCUMENTS

D409,307 S *	5/1999	Phleps et al.	D24/158
D477,407 S *	7/2003	Malmen	D24/158
D585,554 S *	1/2009	Suzuki	D24/158
D604,415 S *	11/2009	Otsuka	D24/158



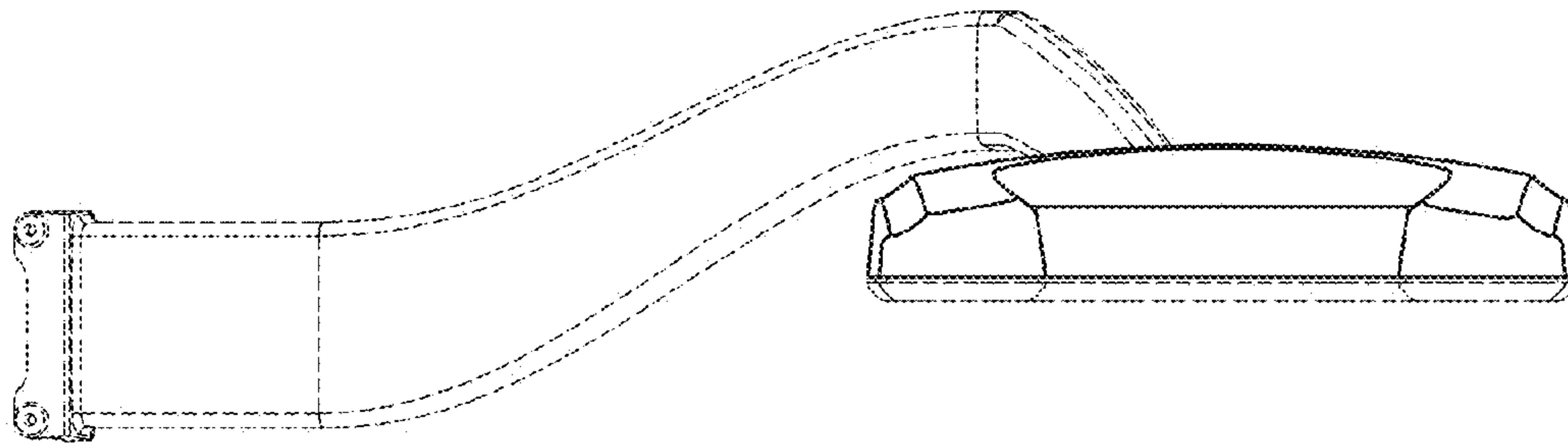


FIG. 1

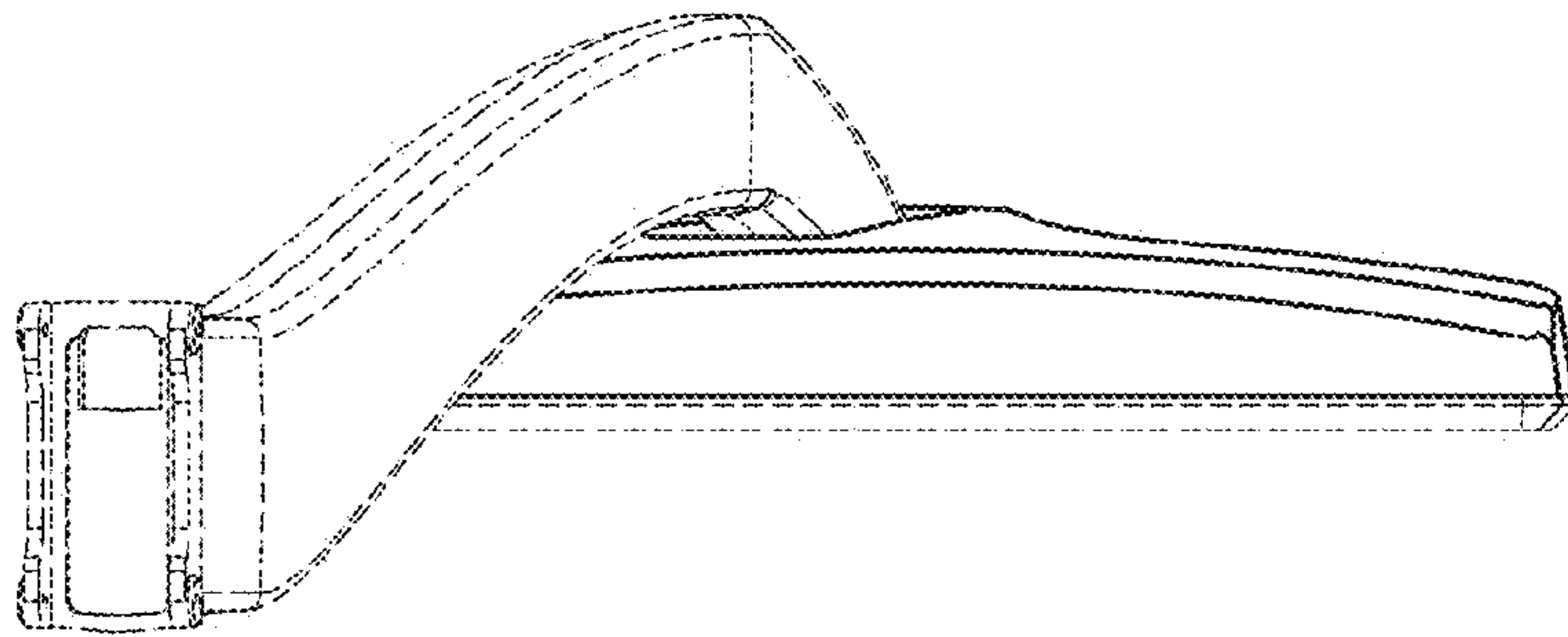


FIG. 2

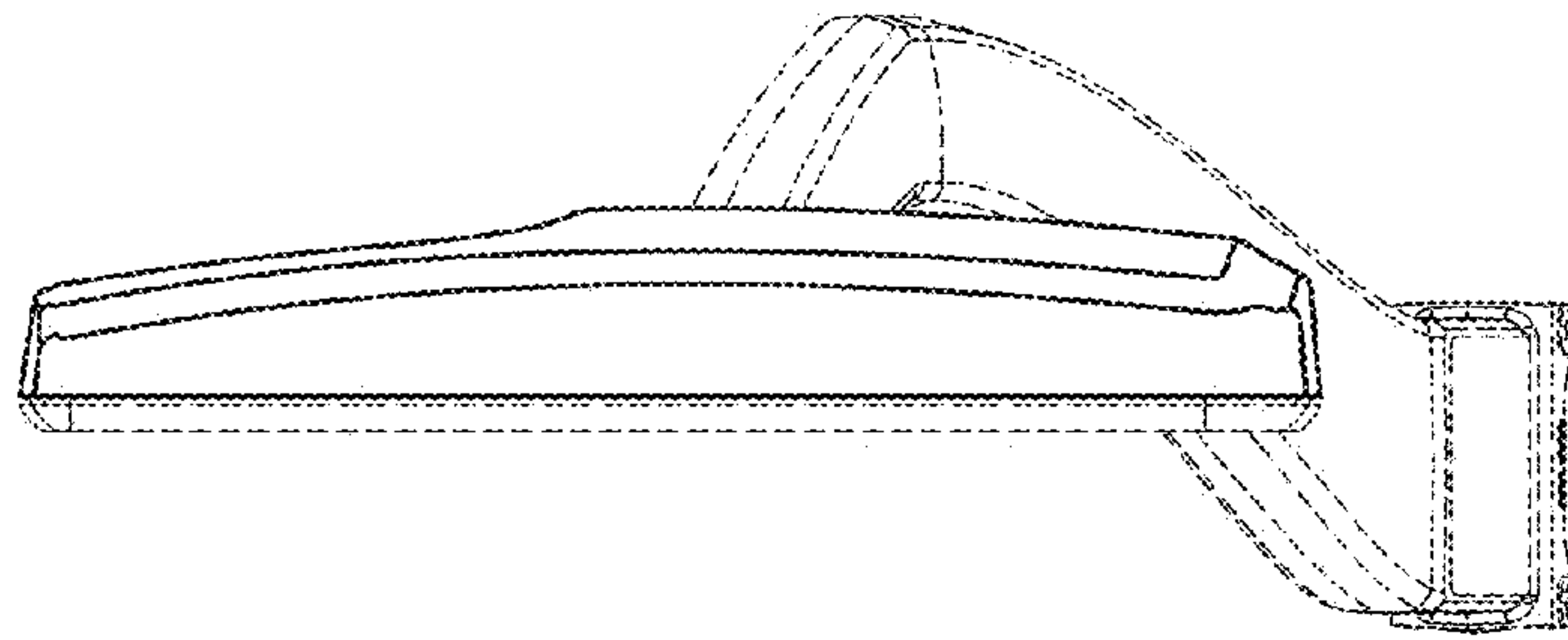


FIG. 3

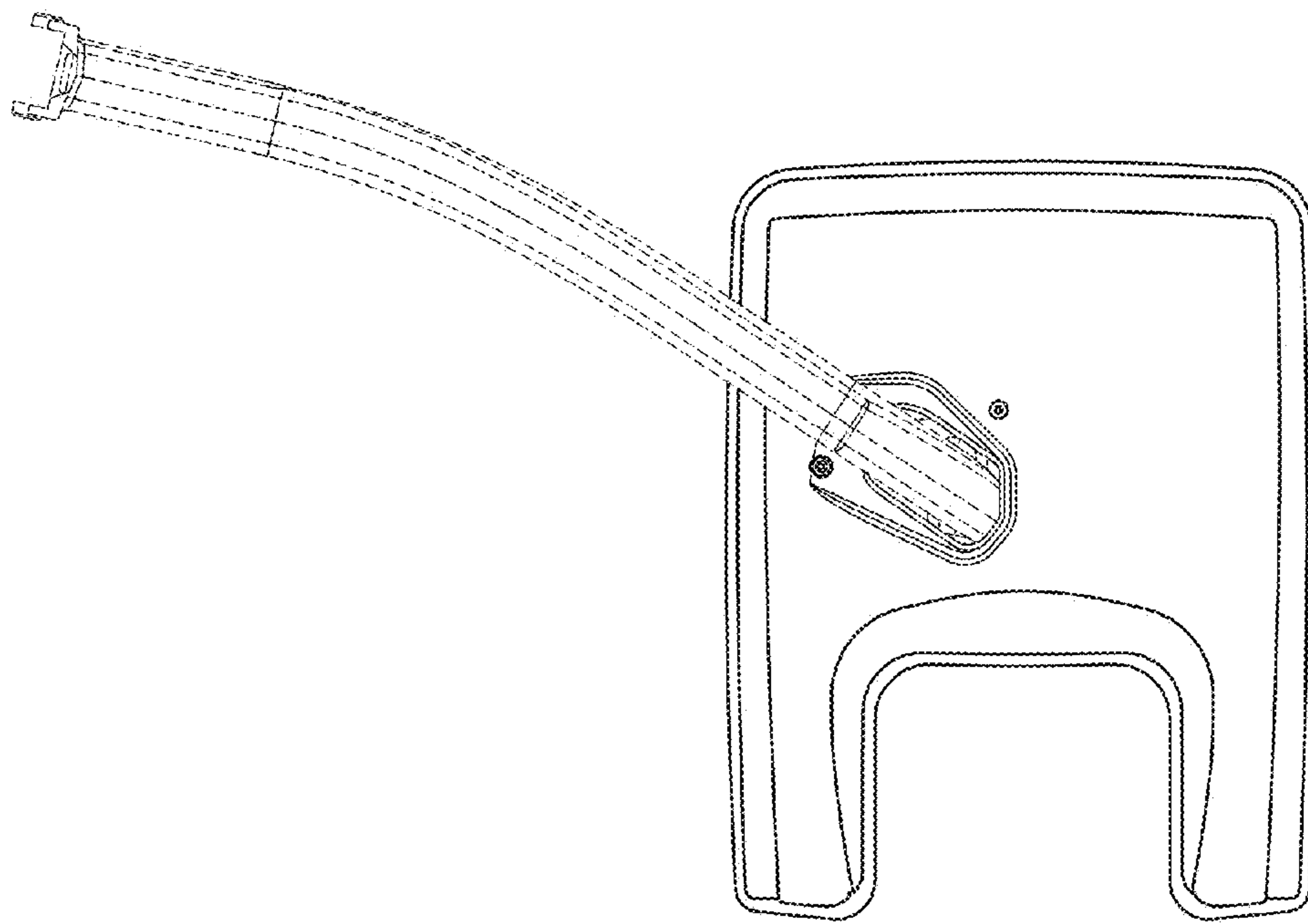


FIG. 4

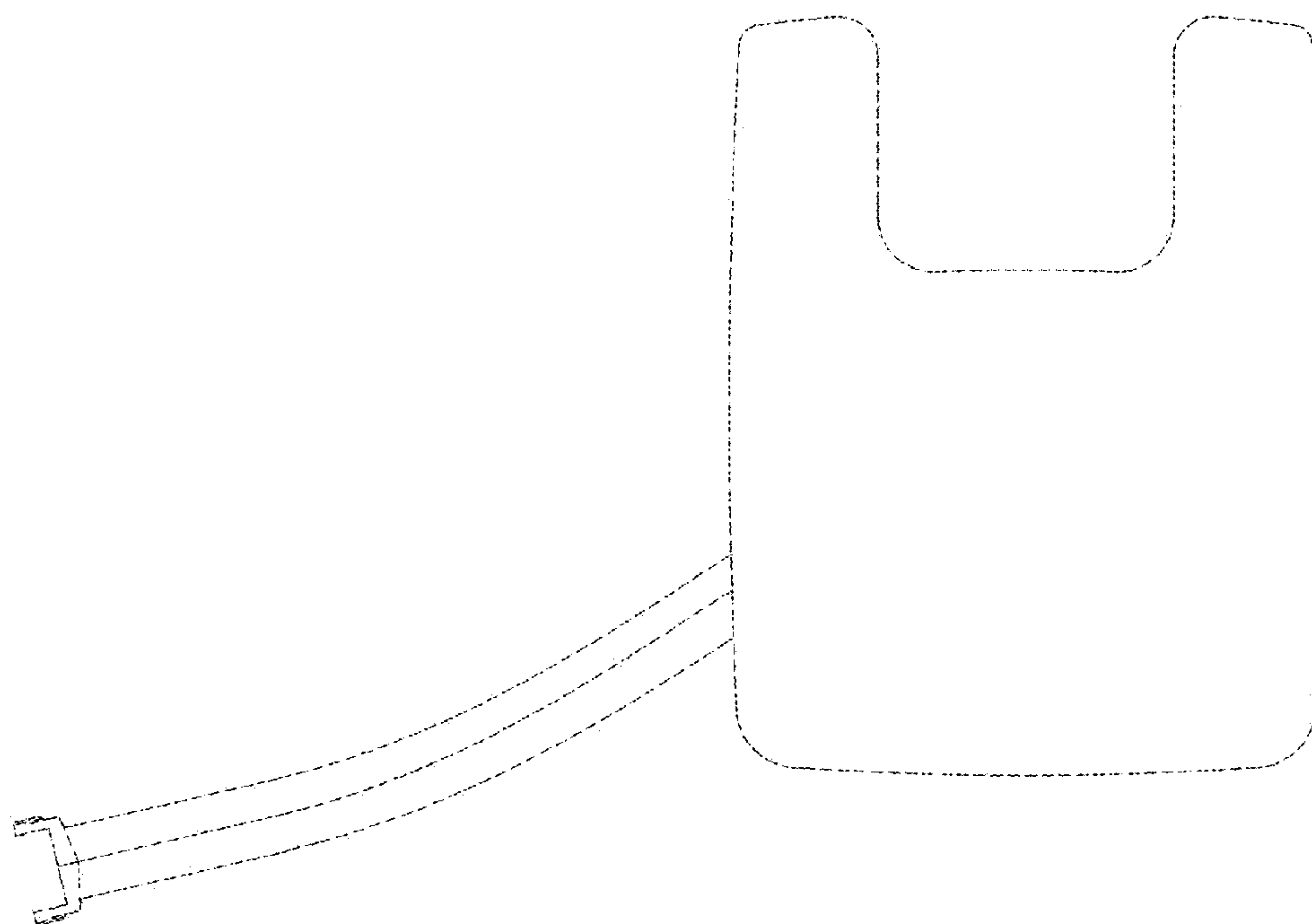


FIG. 5

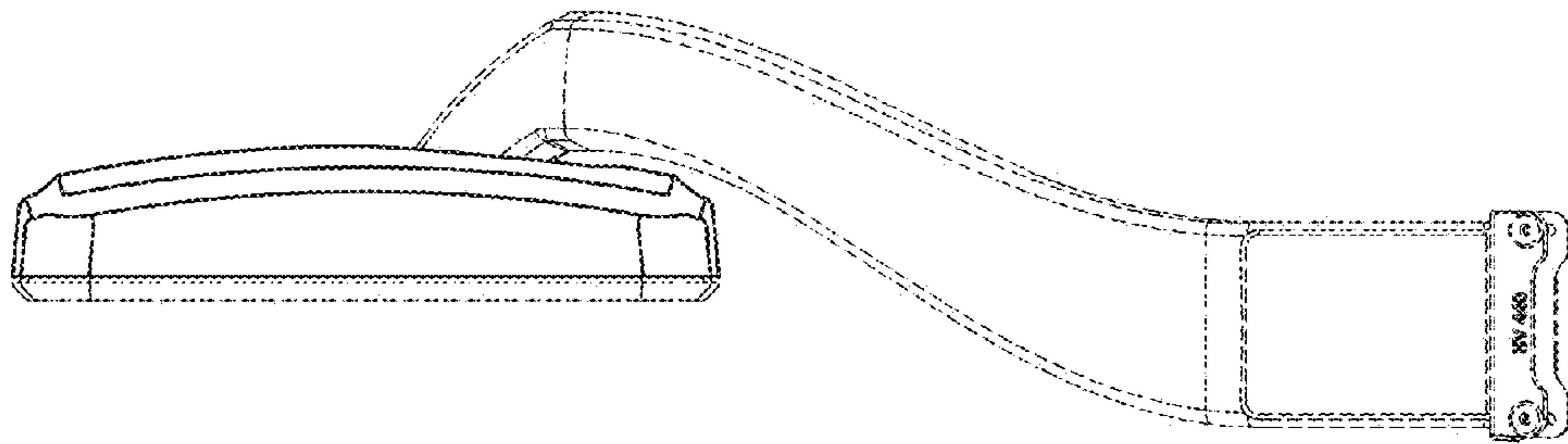


FIG. 6

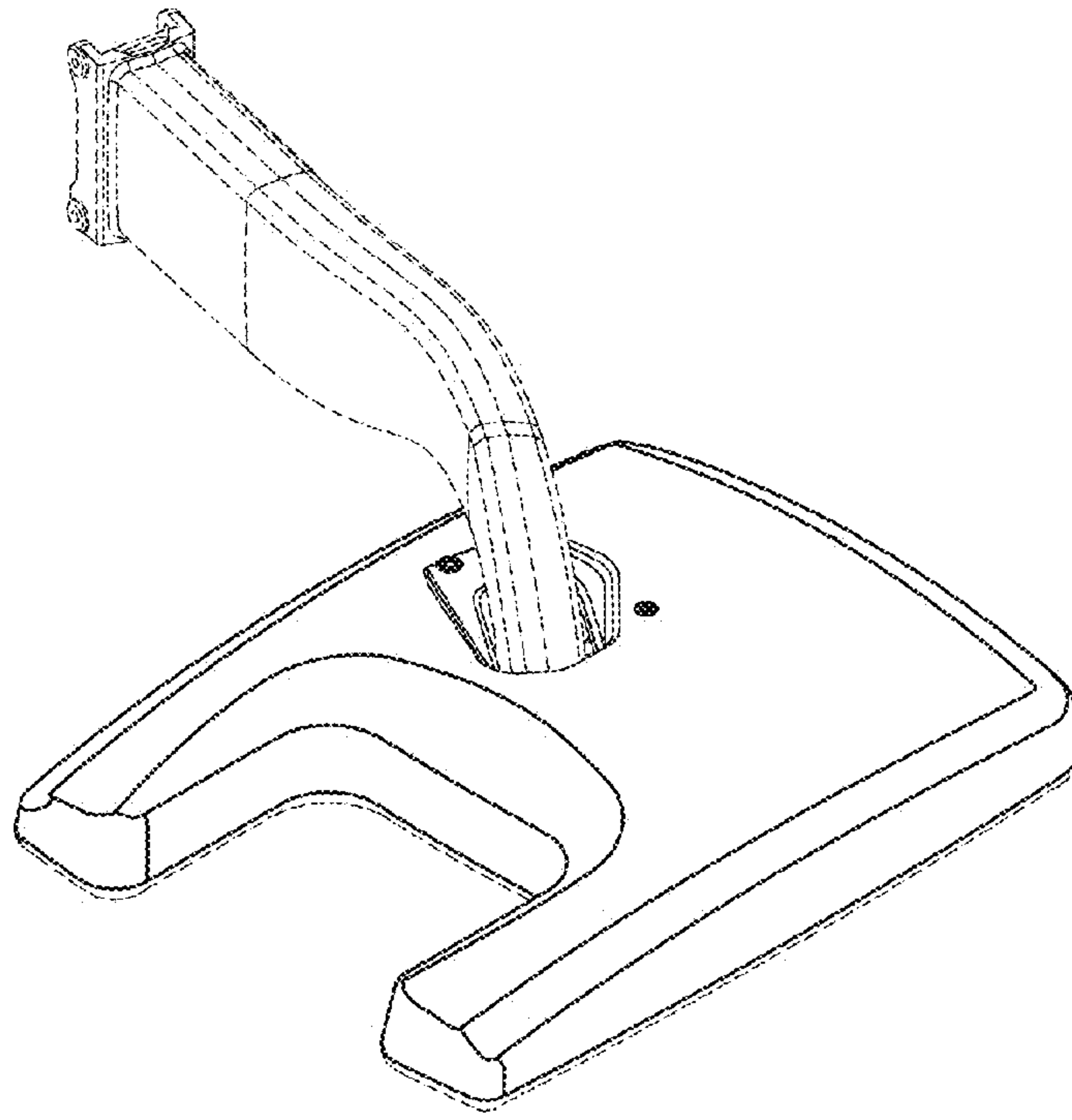


FIG. 7