



US00D757270S

(12) **United States Design Patent**
Hokari et al.

(10) **Patent No.:** **US D757,270 S**
(45) **Date of Patent:** **** May 24, 2016**

(54) **X-RAY DEVICE FOR MEDICAL TREATMENT**

(75) Inventors: **Yusuke Hokari**, Tokyo (JP); **Hideki Hayashi**, Kiyose (JP)

(73) Assignee: **Canon Kabushiki Kaisha**, Tokyo (JP)

(**) Term: **14 Years**

(21) Appl. No.: **29/414,373**

(22) Filed: **Feb. 28, 2012**

(30) **Foreign Application Priority Data**

Aug. 30, 2011 (JP) 2011-019499

(51) **LOC (10) Cl.** **24-01**

(52) **U.S. Cl.**
USPC **D24/158**

(58) **Field of Classification Search**

USPC D24/158, 159; 378/4, 10, 19, 15, 17,
378/20, 21, 22, 23, 24, 25, 26, 27, 62, 68,
378/146, 197, 198, 194, 204

CPC A61B 6/4405; B62D 11/183; B62D 11/04
See application file for complete search history.

(56) **References Cited**

U.S. PATENT DOCUMENTS

4,955,046	A *	9/1990	Siczek et al.	378/197
D397,440	S *	8/1998	Baars	D24/158
5,802,719	A *	9/1998	O'Farrell et al.	29/897.35
6,370,224	B1 *	4/2002	Simon et al.	378/62
6,705,758	B1 *	3/2004	Luusua et al.	378/198
6,880,691	B2 *	4/2005	Simmons	192/95
6,990,368	B2 *	1/2006	Simon et al.	600/425
7,059,463	B2 *	6/2006	Simmons	192/95
D658,762	S *	5/2012	Yokoyama et al.	D24/158
8,678,648	B2 *	3/2014	Lalena et al.	378/198
D702,837	S *	4/2014	Dinse	D24/158
8,760,088	B2 *	6/2014	Ding	A61B 6/4405 318/17

D724,215	S *	3/2015	Dreijer	D24/158
D724,738	S *	3/2015	Dorris	D24/158
D725,273	S *	3/2015	Dreijer	D24/158
2005/0070779	A1 *	3/2005	Singh B et al.	600/407
2006/0293582	A1 *	12/2006	Jensen	600/407
2008/0075233	A1 *	3/2008	Coombs	378/204
2008/0118036	A1 *	5/2008	Jensen et al.	378/198
2008/0123819	A1 *	5/2008	Jensen et al.	378/198
2010/0027760	A1 *	2/2010	Fadler et al.	378/198
2011/0058656	A1 *	3/2011	Hartwich et al.	378/198
2012/0045037	A1 *	2/2012	Carmichael et al.	378/198

(Continued)

FOREIGN PATENT DOCUMENTS

DE	102011078682	A1 *	1/2013	A61B 6/4405
DE	102013013552	B3 *	7/2014	A61B 6/4078

(Continued)

Primary Examiner — Sheryl Lane

Assistant Examiner — Ieisha Price

(74) *Attorney, Agent, or Firm* — Fitzpatrick, Cella, Harper & Scinto

(57) **CLAIM**

The ornamental design for an X-ray device for medical treatment, as shown and described.

DESCRIPTION

FIG. 1 is a front view of an X-ray device for medical treatment showing our new design;

FIG. 2 is a rear view thereof;

FIG. 3 is a top plan view thereof;

FIG. 4 is a bottom plan view thereof;

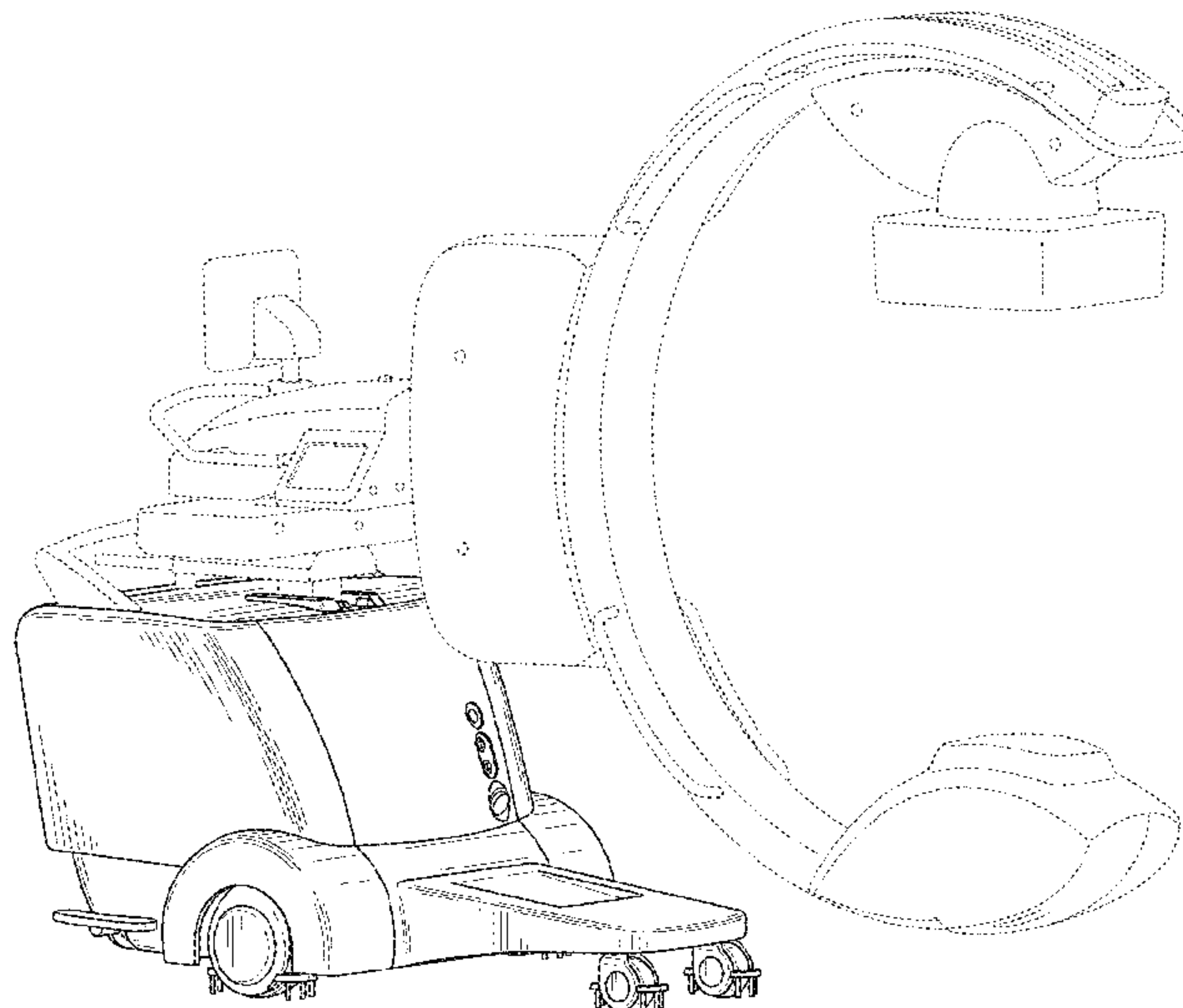
FIG. 5 is a left side view thereof;

FIG. 6 is a right side view thereof; and,

FIG. 7 is a perspective view thereof.

The broken lines in the drawings illustrate portions of the X-ray device for medical treatment and form no part of the claimed design.

1 Claim, 6 Drawing Sheets



(56)

References Cited

2015/0319831 A1* 11/2015 Fehre G01N 23/04
378/62

U.S. PATENT DOCUMENTS

2013/0094630 A1* 4/2013 Limmer et al. 378/198
2014/0314203 A1* 10/2014 Helm A61B 6/4476
378/62
2014/0314205 A1* 10/2014 Carelsen A61B 6/461
378/62
2014/0369459 A1* 12/2014 Foos A61B 6/03
378/9
2015/0036799 A1* 2/2015 Zhang A61B 6/4429
378/62
2015/0146847 A1* 5/2015 Liu G01N 23/043
378/42

FOREIGN PATENT DOCUMENTS

DE 102009040611 B4 * 11/2014 A61B 6/4405
EP 2859849 A1 * 4/2015 A61B 6/00
EP 2878264 A1 * 6/2015 A61B 6/4233
GB 2512466 B * 7/2015 A61B 6/4405
WO WO 2014192111 A1 * 12/2014 A61B 6/4405
WO WO 2015033445 A1 * 3/2015 A61B 6/102
WO WO 2015073105 A1 * 5/2015 A61B 6/4405

* cited by examiner

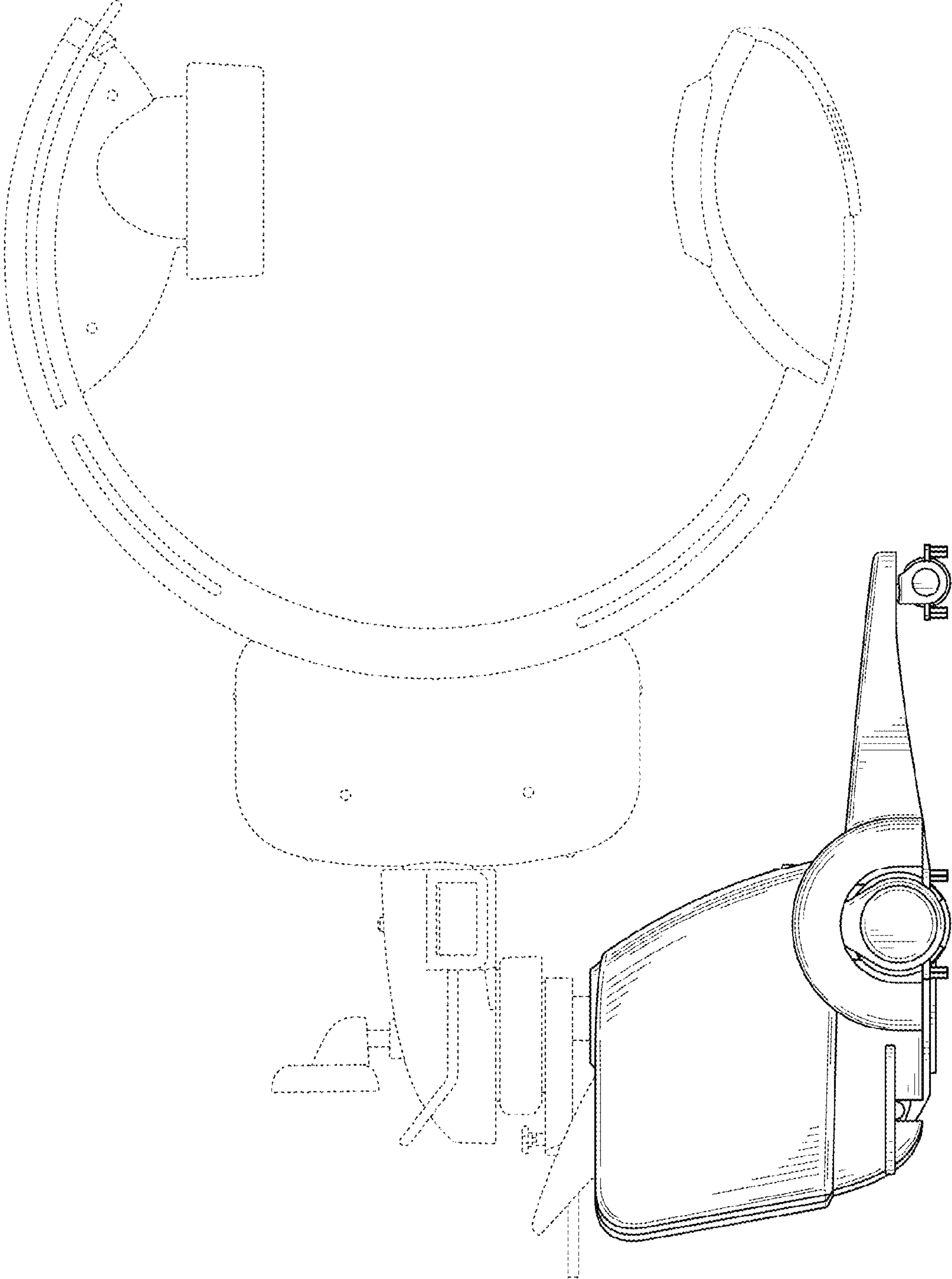


FIG. 1

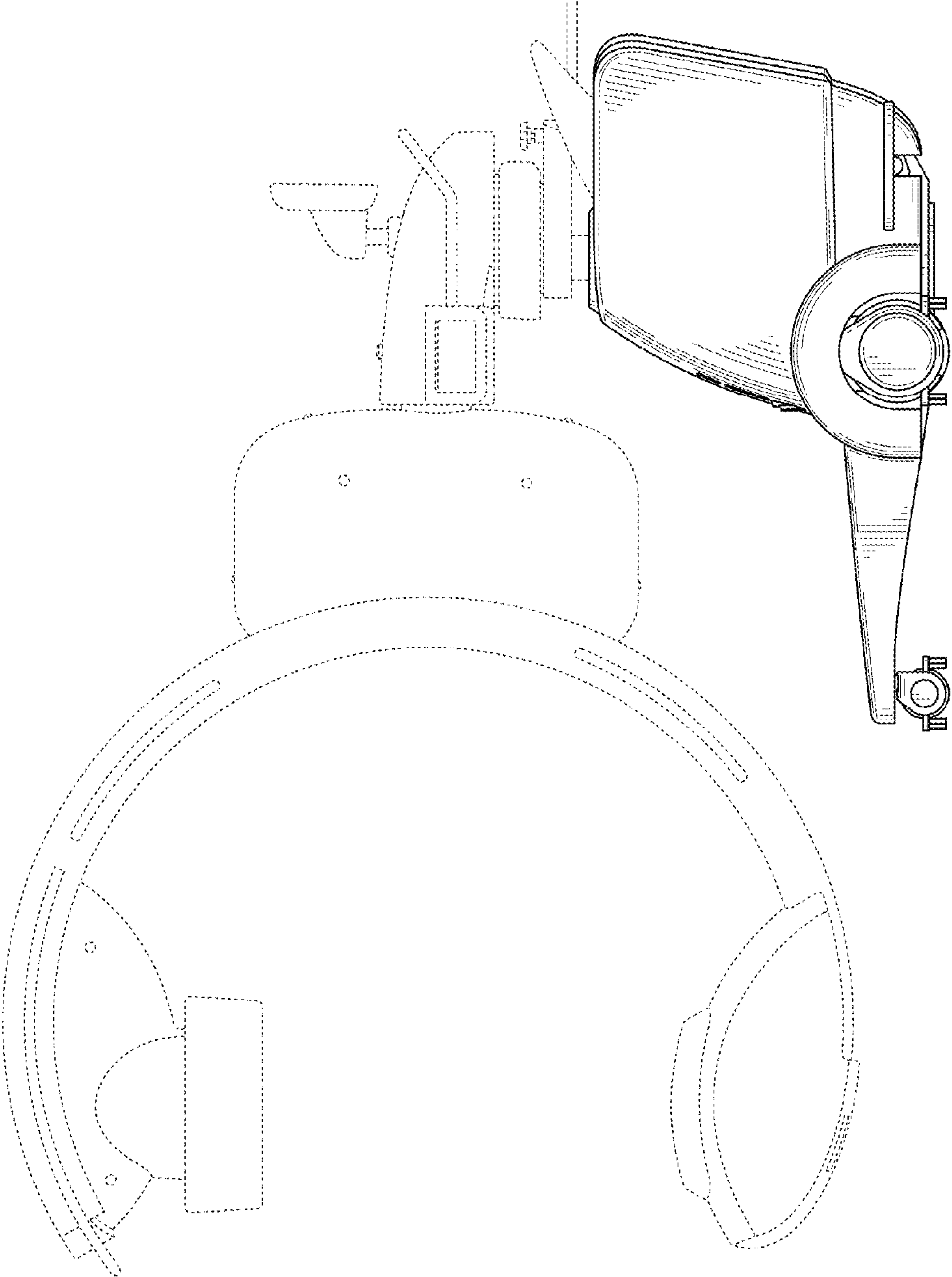


FIG. 2

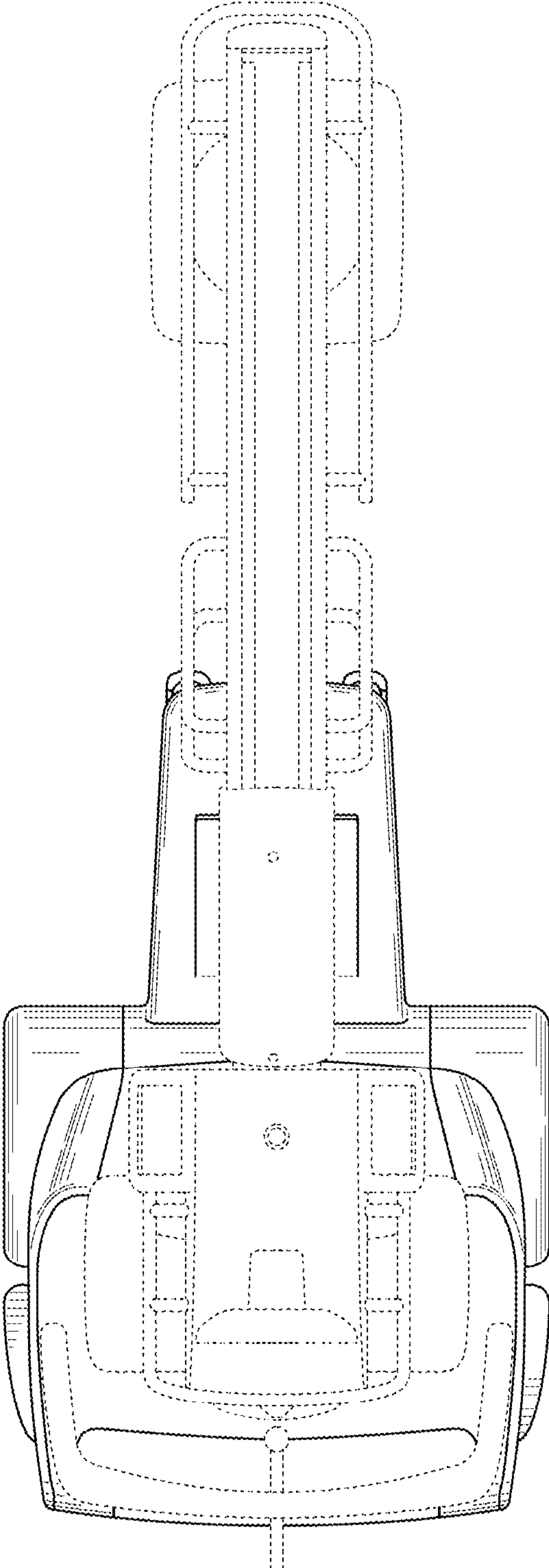


FIG. 3

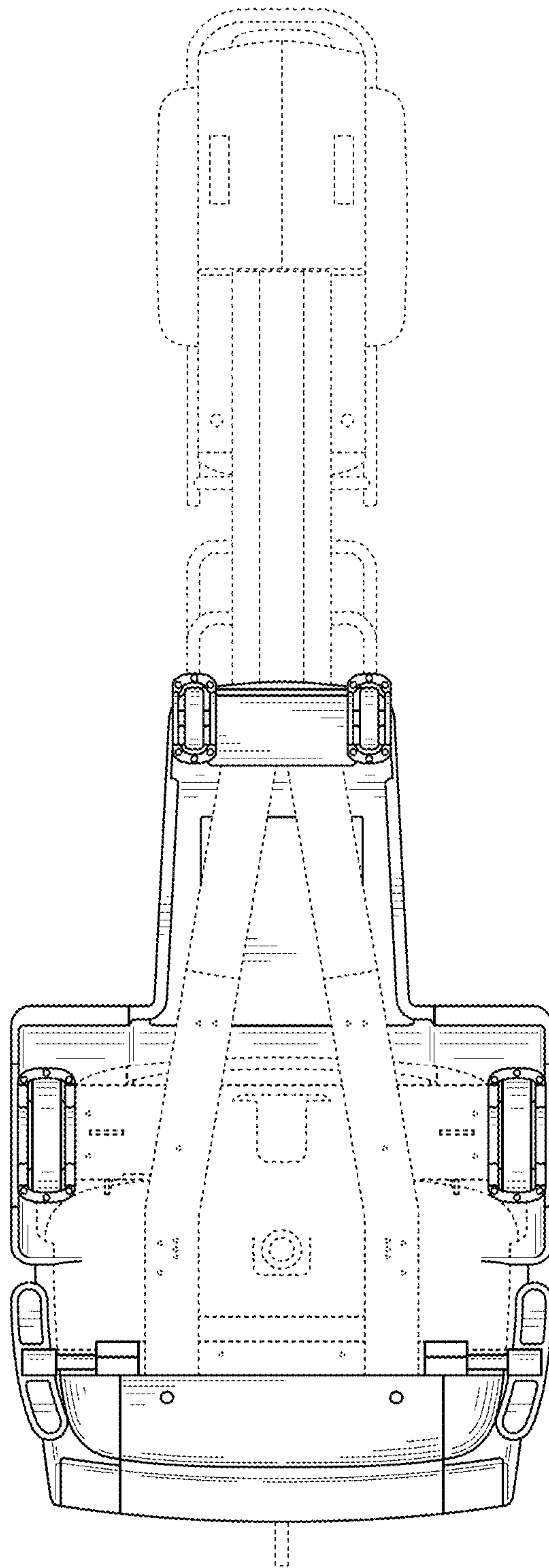


FIG. 4

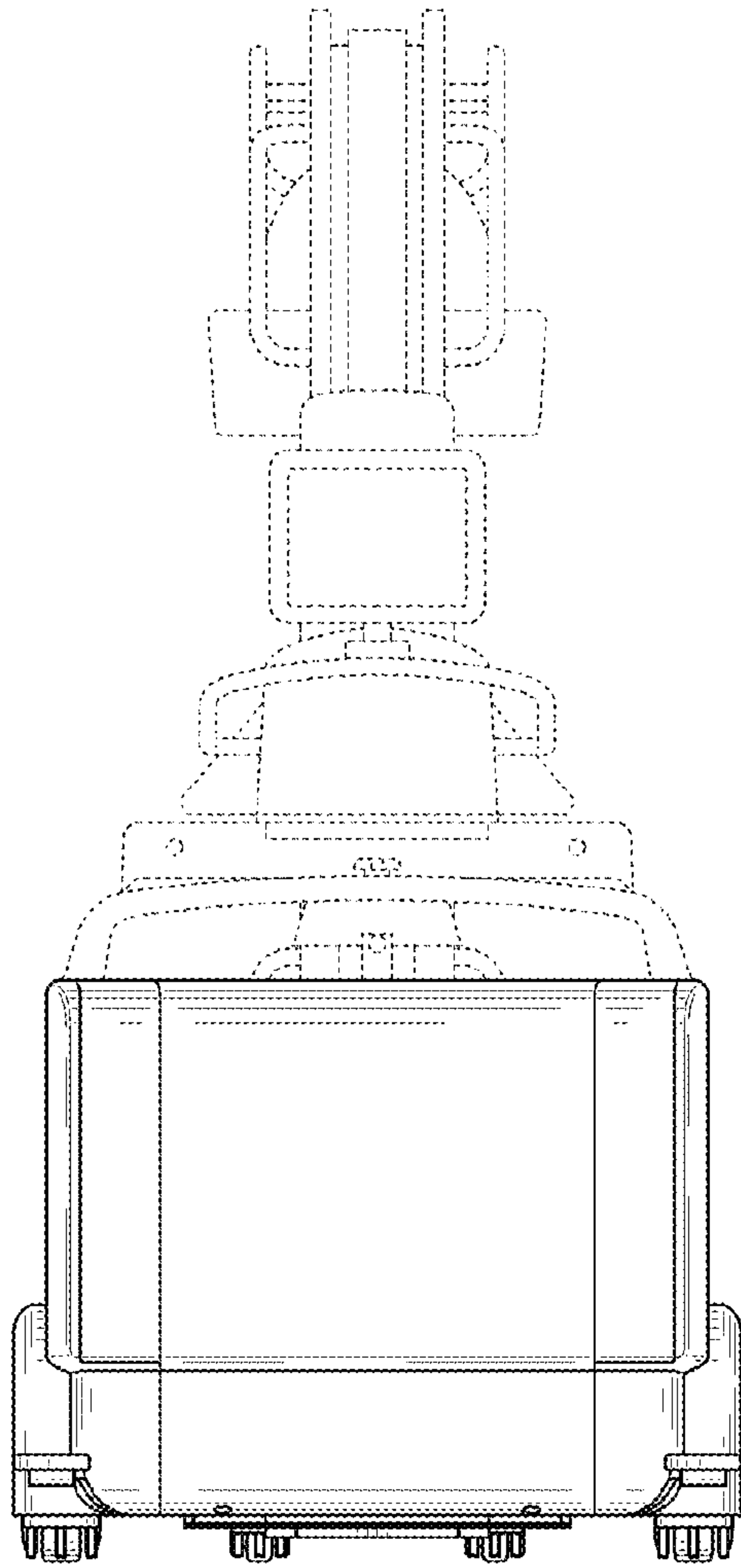


FIG. 5

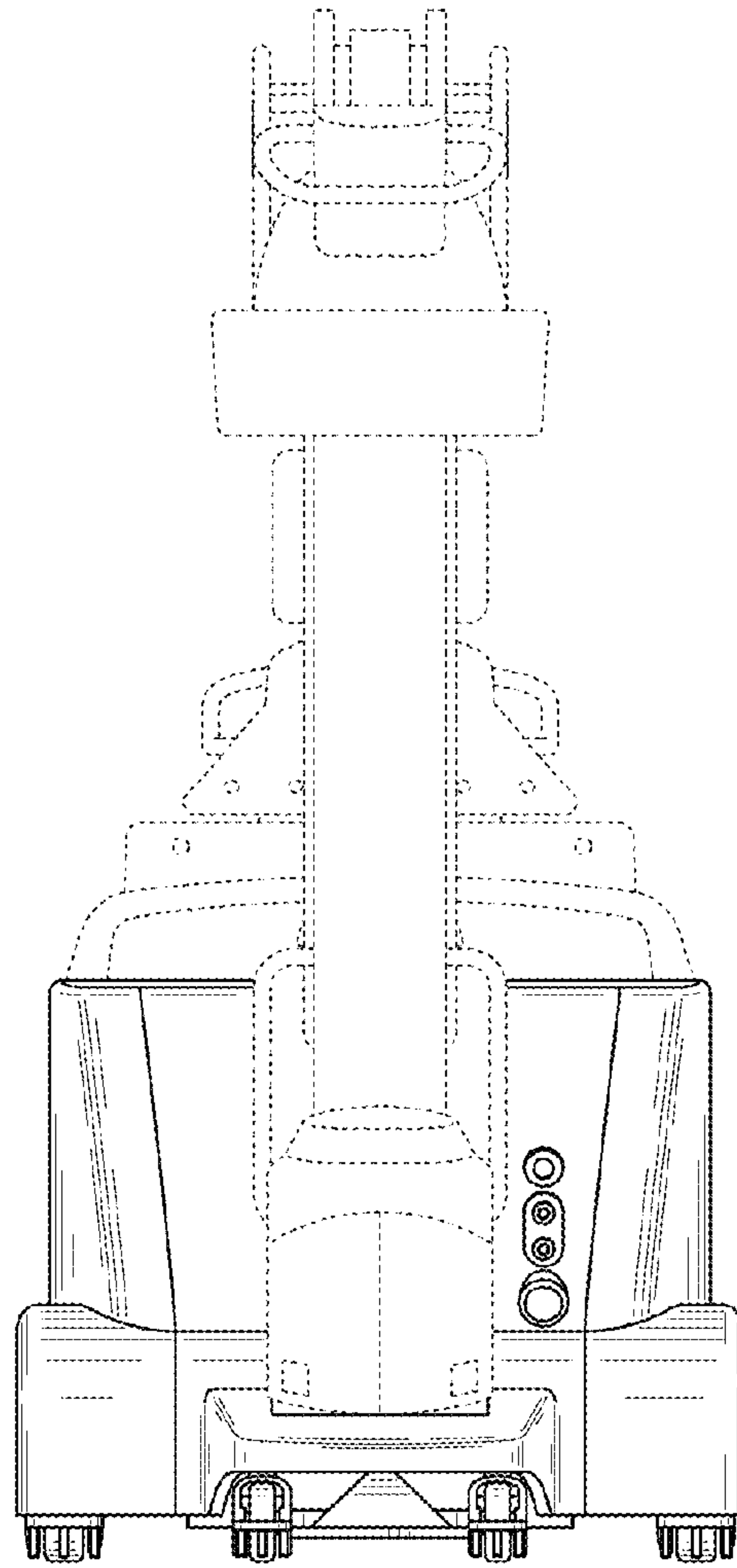


FIG. 6

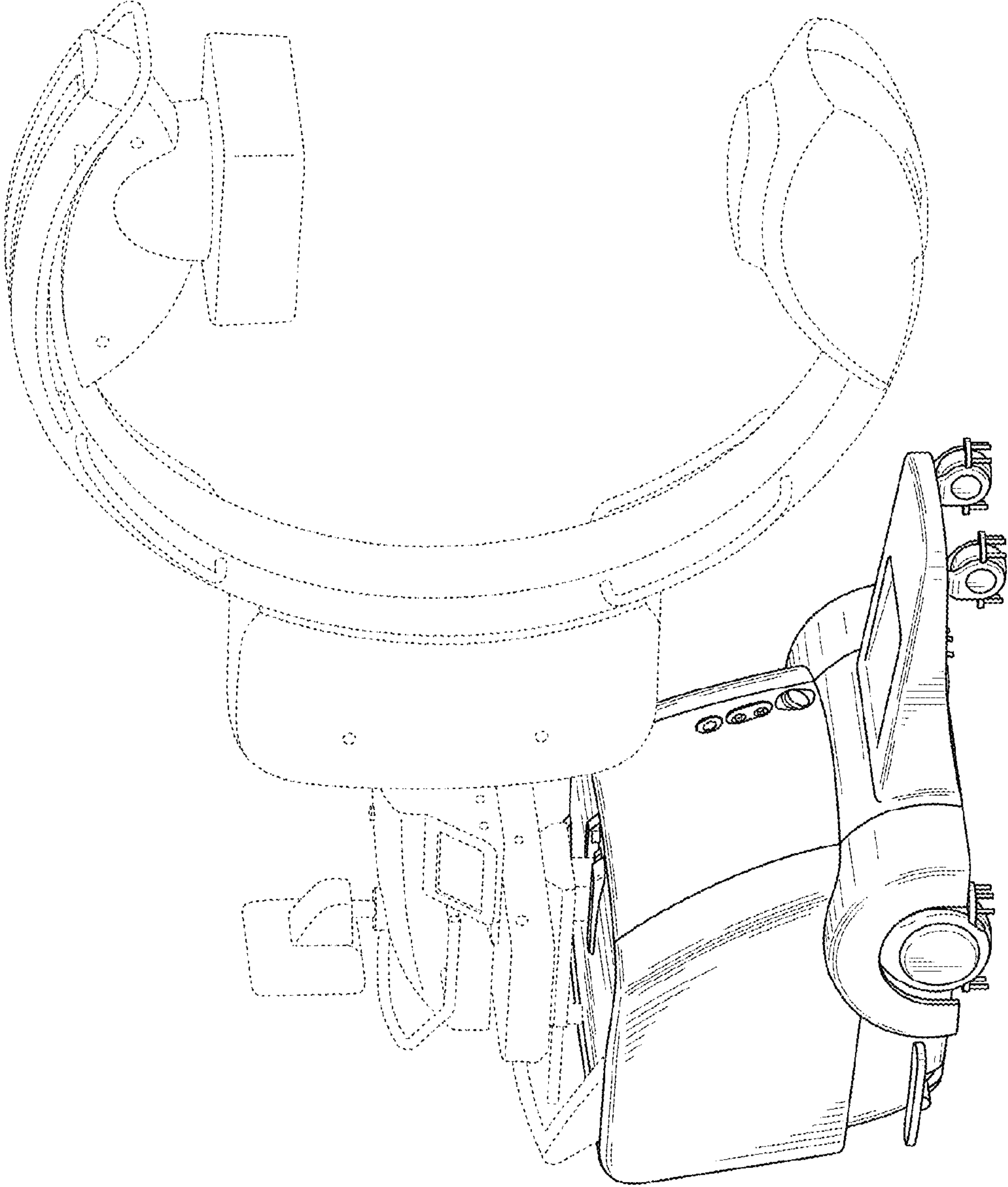


FIG. 7