



US00D757268S

(12) **United States Design Patent**  
**Norenberg**

(10) **Patent No.:** **US D757,268 S**

(45) **Date of Patent:** **\*\* May 24, 2016**

(54) **BLUNT DISSECTOR**

(71) Applicant: **Richard Norenberg**, St. Pete Beach, FL  
(US)

(72) Inventor: **Richard Norenberg**, St. Pete Beach, FL  
(US)

(\*\*) Term: **15 Years**

(21) Appl. No.: **29/541,004**

(22) Filed: **Sep. 30, 2015**

**Related U.S. Application Data**

(62) Division of application No. 29/516,514, filed on Feb. 3, 2015, now abandoned.

(51) **LOC (10) Cl.** ..... **24-02**

(52) **U.S. Cl.**  
USPC ..... **D24/147; D24/133**

(58) **Field of Classification Search**  
USPC ..... D24/111, 133, 137, 138, 141, 144, 146,  
D24/147, 148; 606/79, 80, 81, 85-87, 167,  
606/180; 604/22; D15/138, 139  
See application file for complete search history.

(56) **References Cited**

**U.S. PATENT DOCUMENTS**

D248,165 S	6/1978	Wilson	
D265,421 S	7/1982	Moore et al.	
D289,084 S	3/1987	Freitag	
D381,426 S *	7/1997	Koros	D24/133
D467,340 S *	12/2002	Mayer	D24/133
D517,694 S *	3/2006	Wilshire	D24/130
D535,744 S	1/2007	Wright	
D547,869 S *	7/2007	Eckman	D24/147
D560,806 S *	1/2008	Eckman	D24/147
D585,989 S *	2/2009	Leroy	D24/146

D587,369 S *	2/2009	Hickok	D24/144
D588,270 S	3/2009	Hickok	
D588,697 S *	3/2009	Hickok	D24/144
D617,904 S *	6/2010	Lai	D24/146
D625,412 S	10/2010	Garito et al.	
D637,290 S	5/2011	Schwoy	
D669,581 S	10/2012	Van Wyk	
D710,008 S	7/2014	Yoo	
D715,437 S *	10/2014	Busch	D24/147
D728,098 S *	4/2015	Schad	D24/146
D730,519 S	5/2015	Arnett	
D734,460 S	7/2015	Froidevaux	
D735,329 S	7/2015	Froidevaux	
D735,856 S	8/2015	Koch	

\* cited by examiner

*Primary Examiner* — Ian Simmons

*Assistant Examiner* — Samantha Q Lawrence

(74) *Attorney, Agent, or Firm* — Larson & Larson, P.A.;  
Frank Liebenow; Patrick Reid

(57) **CLAIM**

The ornamental design for a blunt dissector, as shown and described.

**DESCRIPTION**

FIG. 1 is a front elevation view of a blunt dissector showing my new design;

FIG. 2 is a rear side elevation view thereof;

FIG. 3 is a right side elevation view thereof;

FIG. 4 is a left side elevation view thereof;

FIG. 5 is a top plan view thereof;

FIG. 6 is a bottom plan view thereof; and,

FIG. 7 is a perspective view thereof.

The blunt dissector is shown with a break in its length, with the understanding that the portions of the article not shown in the drawings form no part of the claim design.

**1 Claim, 2 Drawing Sheets**

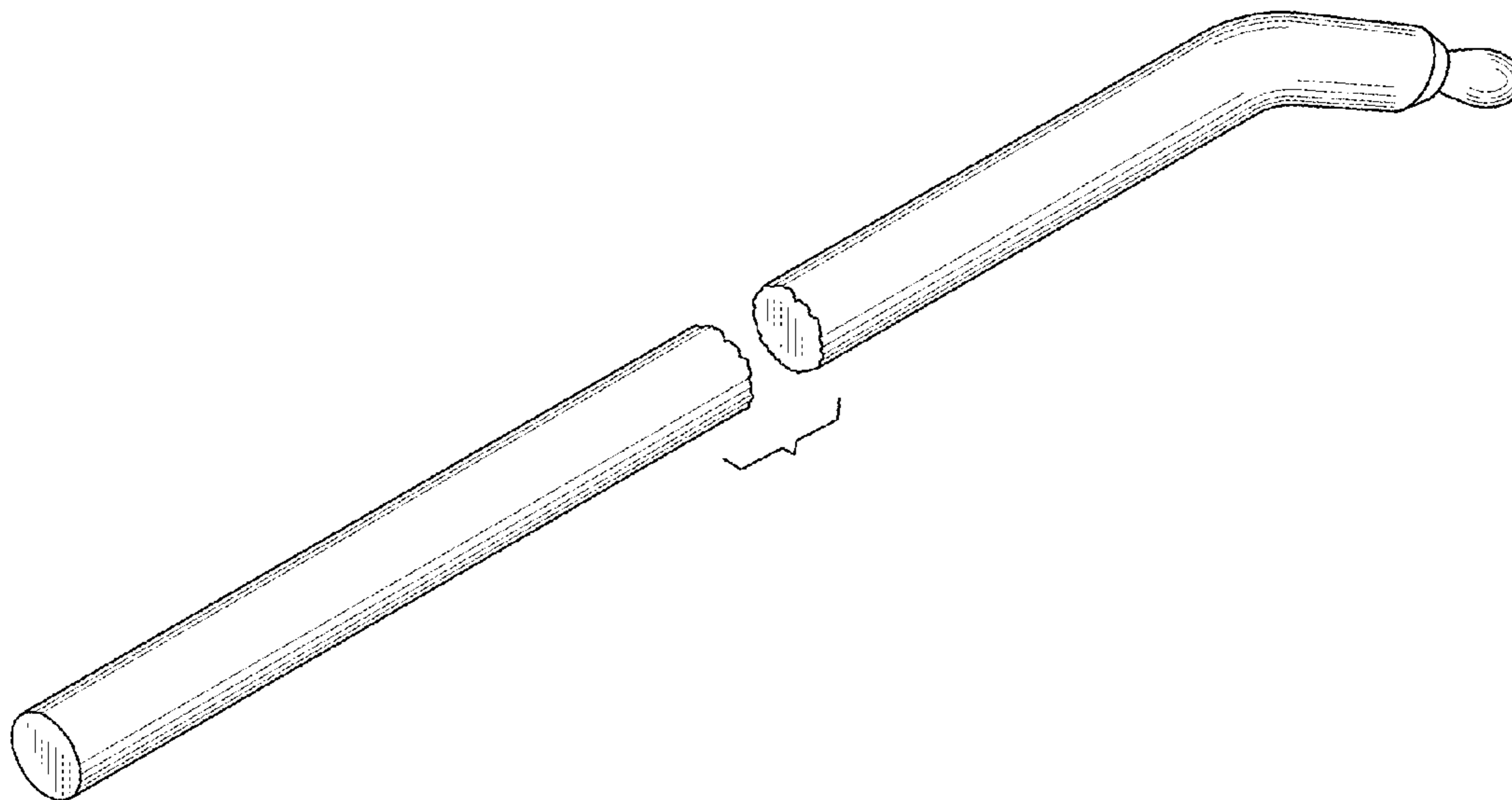


FIG. 1

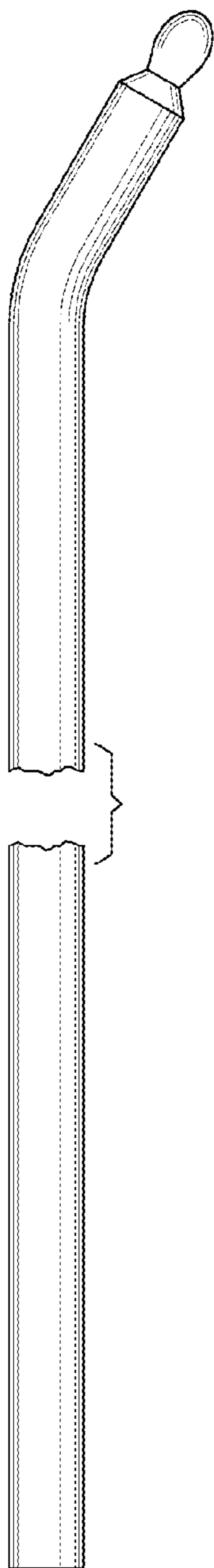


FIG. 2

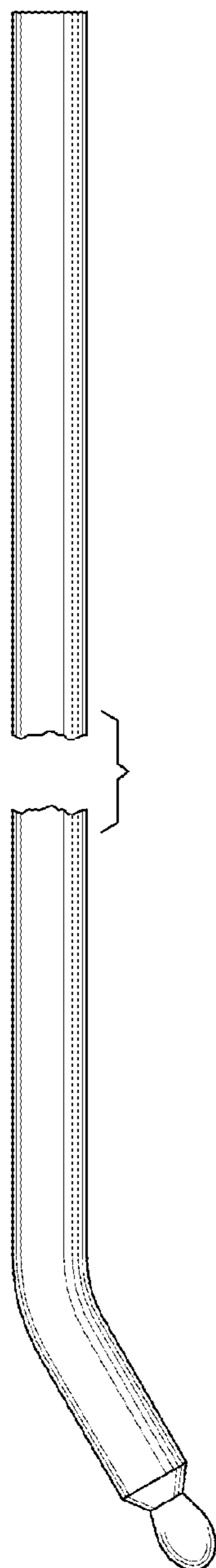


FIG. 3

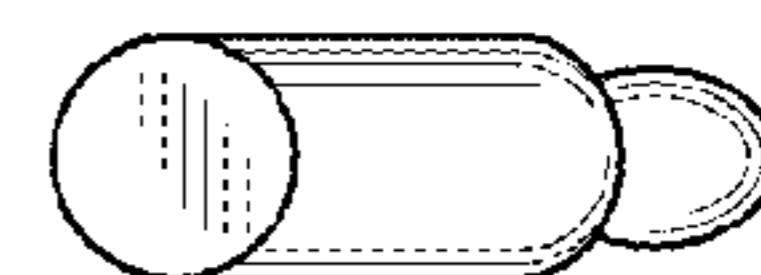


FIG. 4



