



US00D757267S

(12) **United States Design Patent**
Shi

(10) **Patent No.:** **US D757,267 S**

(45) **Date of Patent:** **** May 24, 2016**

(54) **LANCET PROTECTIVE CAP WITH TWO CUP-SHAPE OPENINGS**

(71) Applicant: **Sterilance Medical (Suzhou) Inc.,**
Jiangsu (CN)

(72) Inventor: **Guoping Shi, Jiangsu (CN)**

(73) Assignee: **Sterilance Medical (Suzhou) Inc.,**
Jiangsu (CN)

(**) Term: **14 Years**

(21) Appl. No.: **29/491,714**

(22) Filed: **May 23, 2014**

(30) **Foreign Application Priority Data**

Dec. 2, 2013 (CN) 2013 3 0592371

(51) **LOC (10) Cl.** **24-02**

(52) **U.S. Cl.**
USPC **D24/147**

(58) **Field of Classification Search**
USPC D7/649; D8/93, 97, 300, 310, 311, 313;
D19/110, 115; D24/127, 130, 133,
D24/146, 147, 148
CPC B26B 3/00; B26B 1/10; B26B 5/005;
A61B 17/809; A61B 17/1617; A61B 17/3211;
A61B 5/1411; A61B 17/3417

See application file for complete search history.

(56) **References Cited**

U.S. PATENT DOCUMENTS

| | | | | |
|--------------|------|---------|--------------------------|------------|
| 5,147,316 | A * | 9/1992 | Castillenti | 604/164.04 |
| 5,248,298 | A * | 9/1993 | Bedi et al. | 604/506 |
| D349,574 | S * | 8/1994 | Metcalf et al. | D24/146 |
| 5,690,663 | A * | 11/1997 | Stephens | 606/185 |
| 5,817,061 | A * | 10/1998 | Goodwin et al. | 604/164.03 |
| 5,868,773 | A * | 2/1999 | Danks et al. | 606/185 |
| 5,904,699 | A * | 5/1999 | Schwemberger et al. | 606/185 |
| 6,491,709 | B2 * | 12/2002 | Sharma et al. | 606/181 |
| D561,338 | S * | 2/2008 | Blanco | D24/146 |
| D621,045 | S * | 8/2010 | Trissel et al. | D24/147 |
| D698,030 | S * | 1/2014 | Crisco et al. | D24/190 |
| 2003/0004529 | A1 * | 1/2003 | Tsonton et al. | 606/185 |
| 2010/0280537 | A1 * | 11/2010 | Trissel et al. | 606/181 |

* cited by examiner

Primary Examiner — Robert M Spear

Assistant Examiner — Marissa J Cash

(74) *Attorney, Agent, or Firm* — Seyfarth Shaw LLP

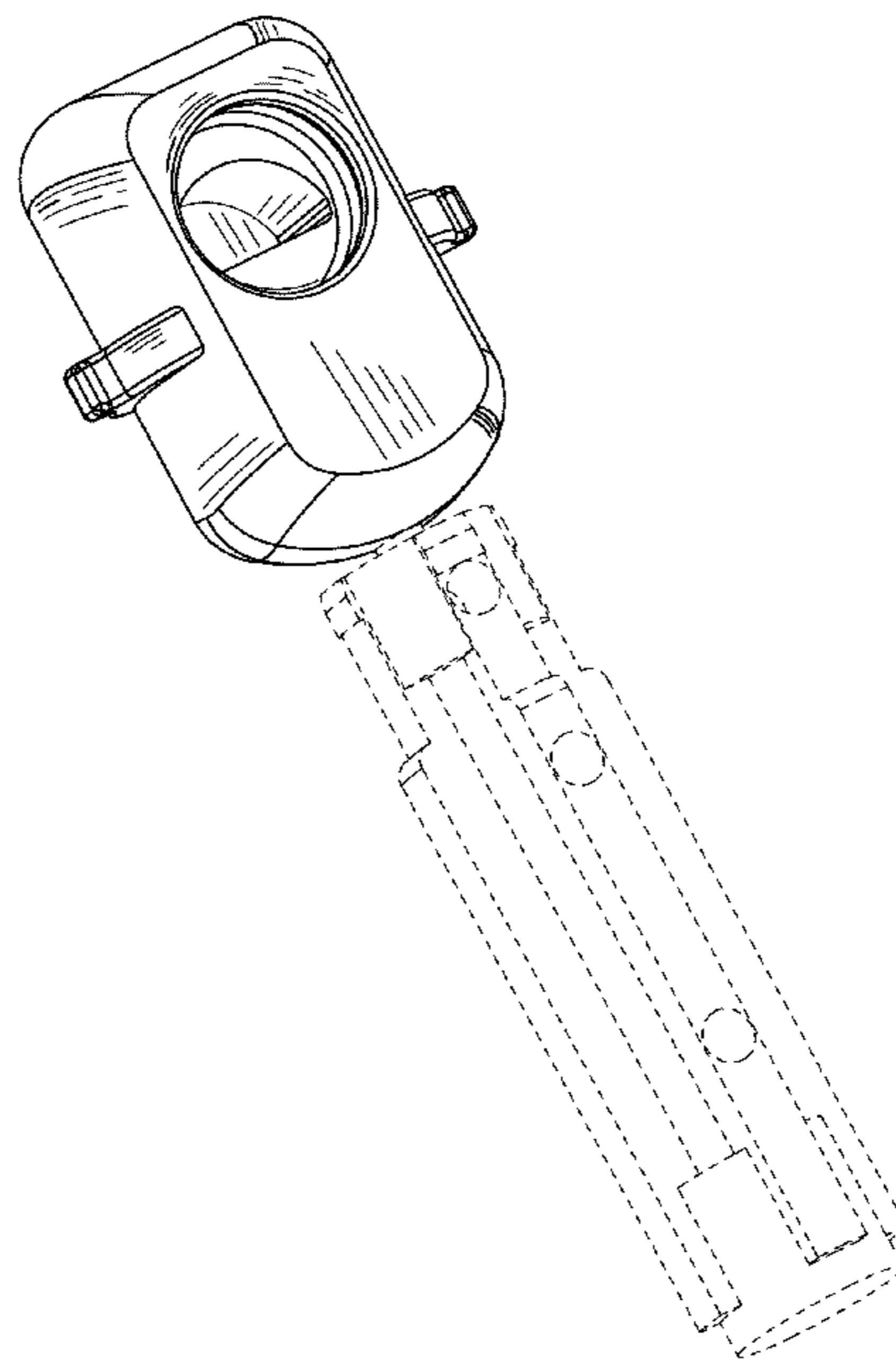
(57) **CLAIM**

The ornamental design for a lancet protective cap with two cup-shape openings, as shown and described.

DESCRIPTION

FIG. 1 is a Top View of a lancet protective cap with two cup-shape openings;
FIG. 2 is a Front View thereof;
FIG. 3 is a Rear View thereof;
FIG. 4 is a Left View thereof;
FIG. 5 is a Right View thereof;
FIG. 6 is a Bottom View thereof;
FIG. 7 is a Perspective View thereof; and,
FIG. 8 is a Perspective View thereof.
The broken lines in the drawings represent unclaimed environmental subject matter and form no part of the claim.

1 Claim, 8 Drawing Sheets



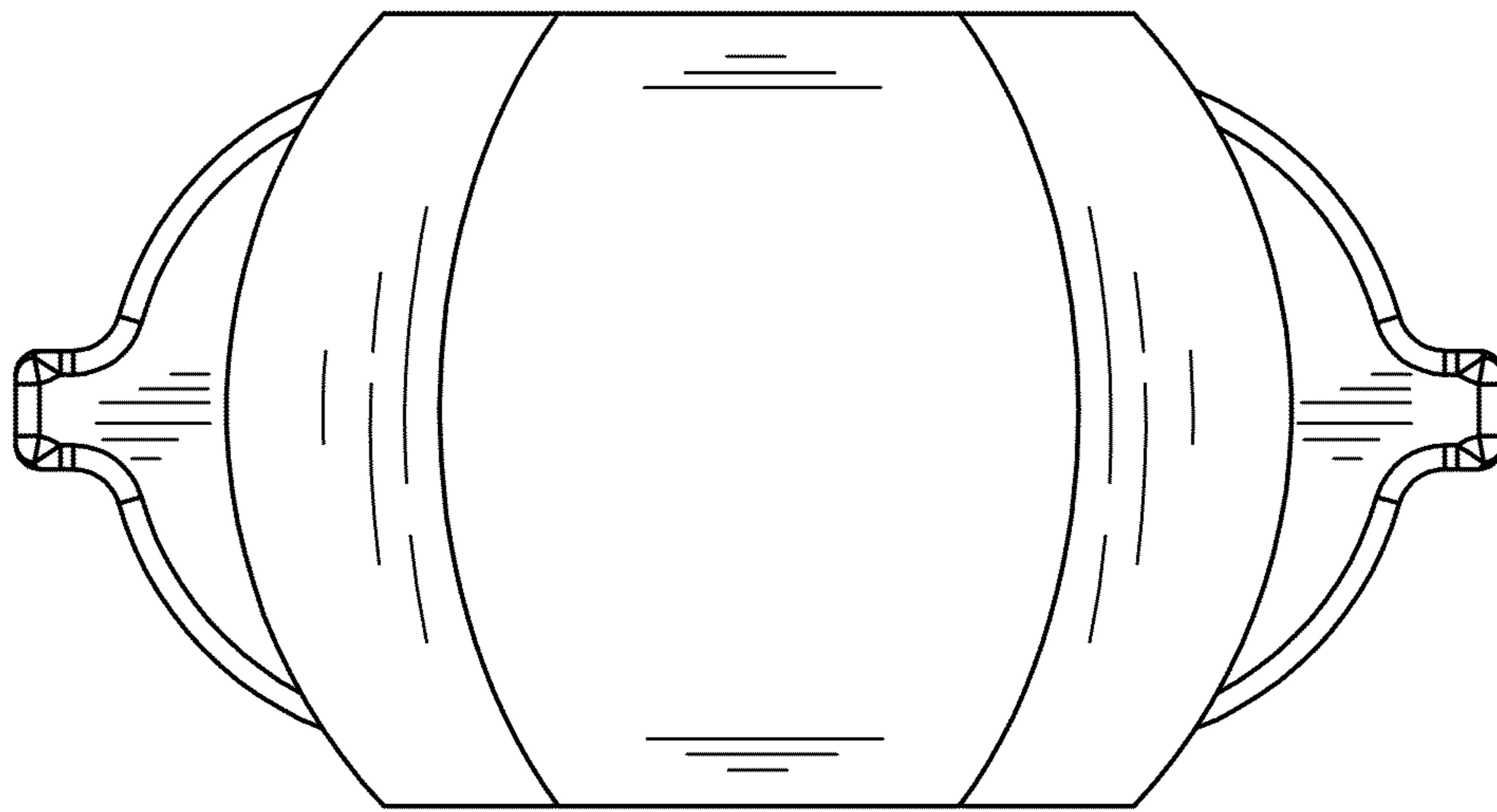


FIG. 1

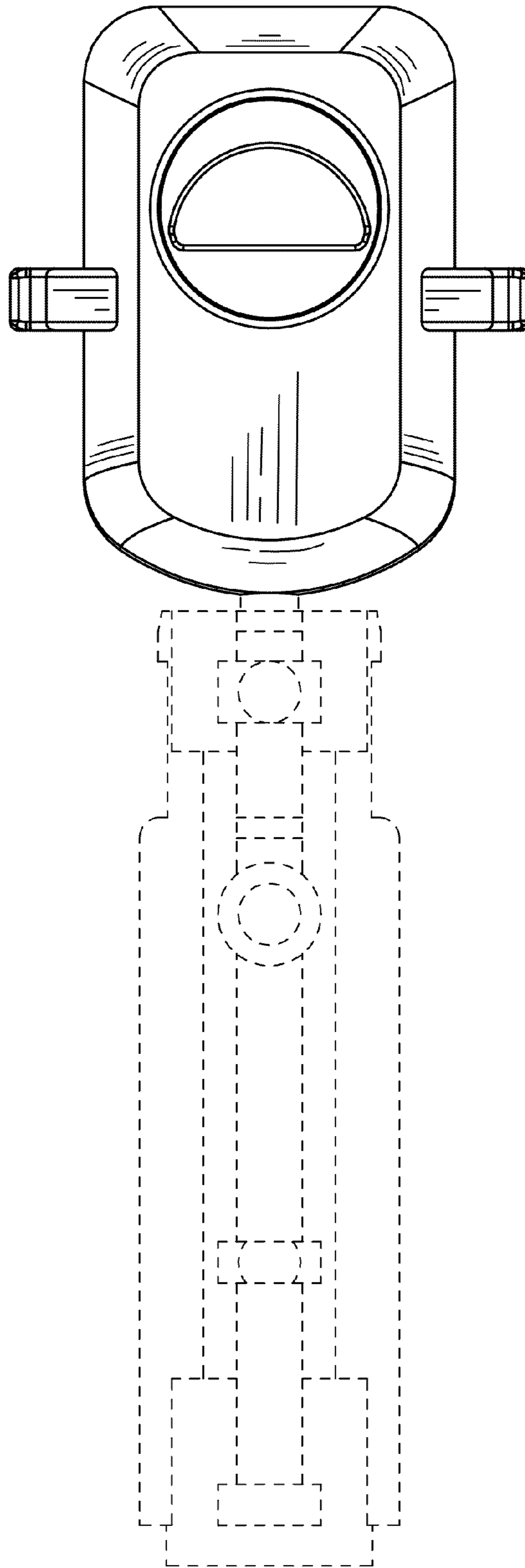


FIG. 2

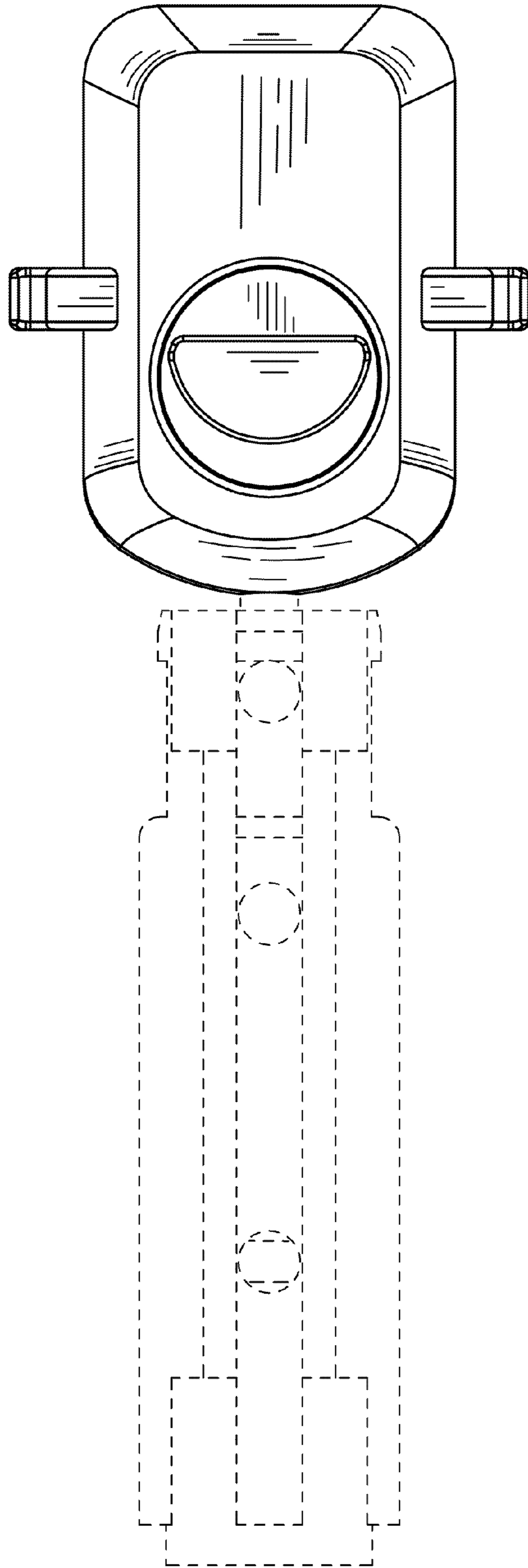


FIG. 3

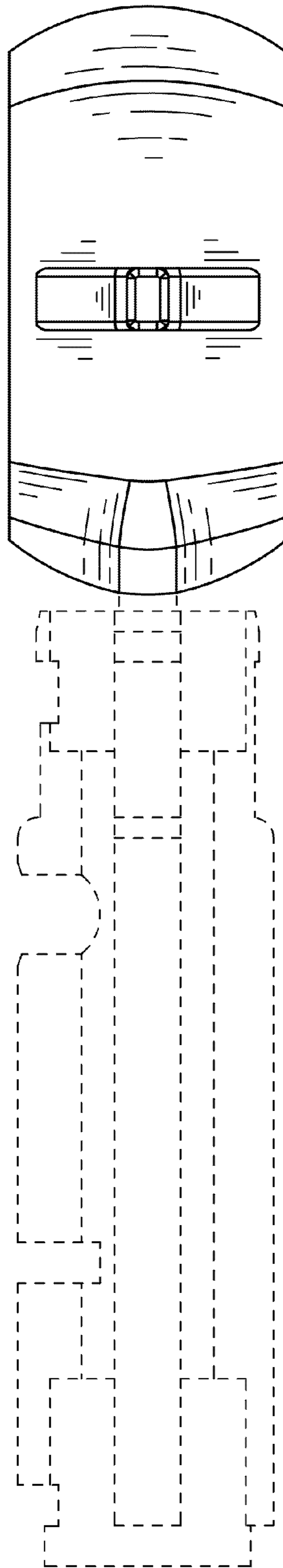


FIG. 4

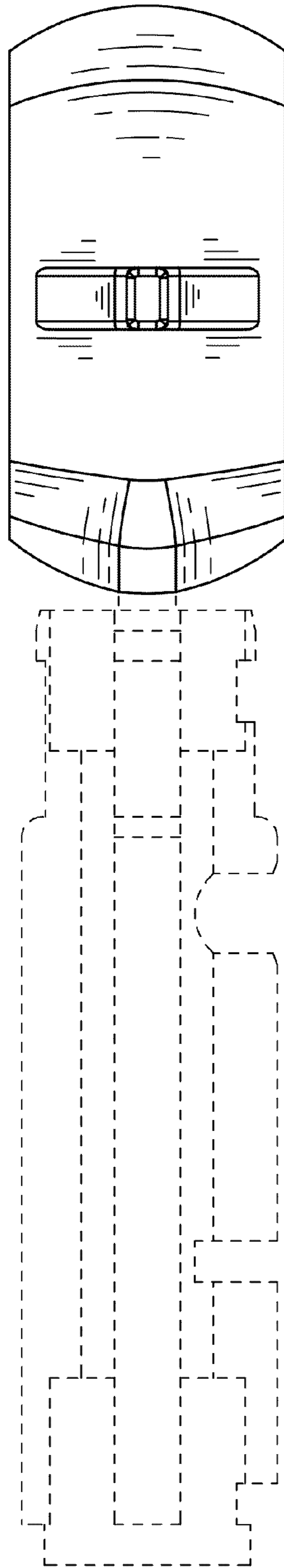


FIG. 5

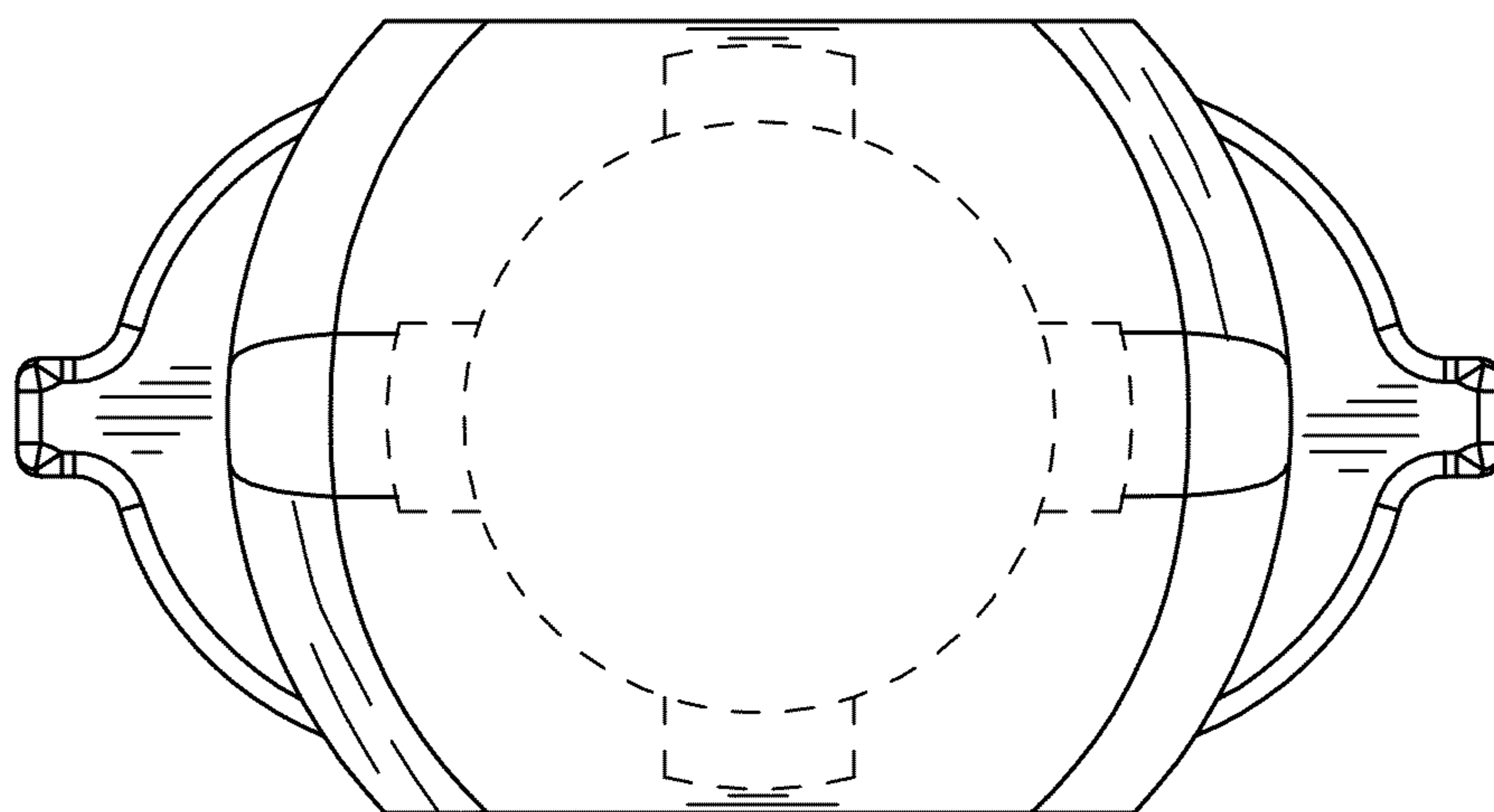


FIG. 6

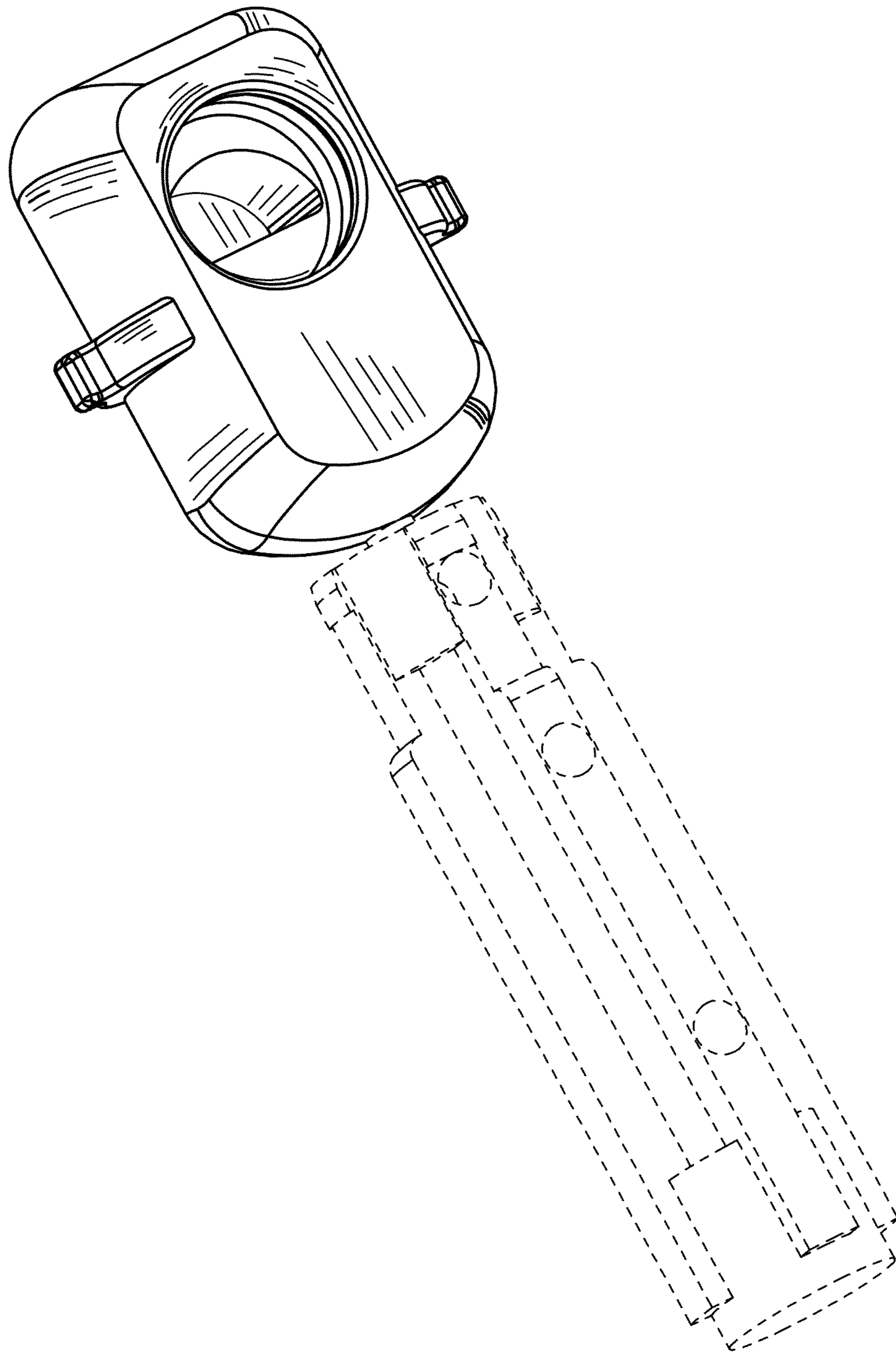


FIG. 7

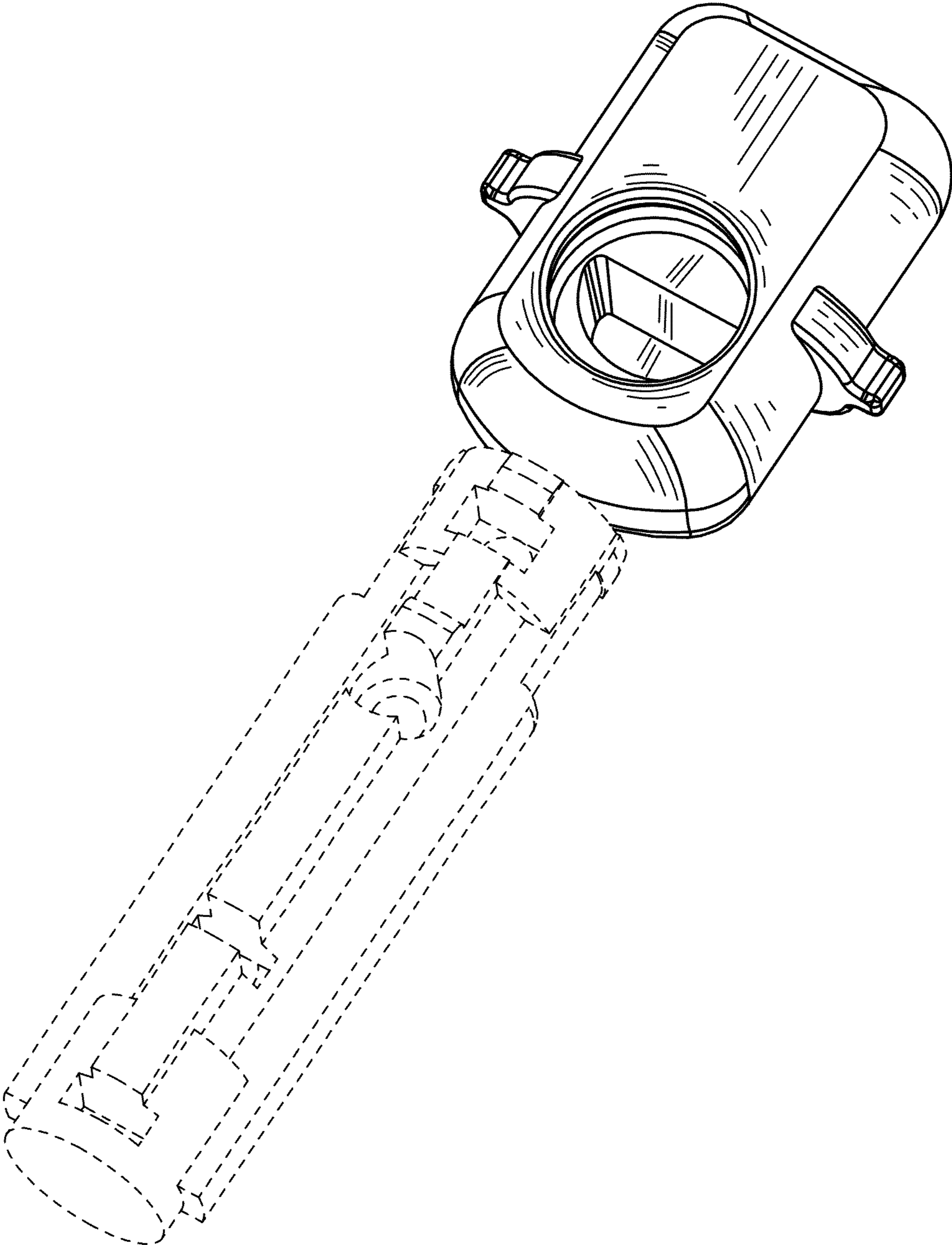


FIG. 8