



US00D757266S

(12) **United States Design Patent**
Teufel et al.

(10) **Patent No.:** **US D757,266 S**

(45) **Date of Patent:** **** *May 24, 2016**

(54) **TROCAR**

(71) Applicant: **KARL STORZ GmbH & Co. KG,**
Tuttlingen (DE)

(72) Inventors: **Felix Teufel,** Tuttlingen (DE); **Martin Oberlaender,** Engen (DE)

(73) Assignee: **KARL STORZ GmbH & Co. KG,**
Tuttlingen (DE)

(*) Notice: This patent is subject to a terminal disclaimer.

(**) Term: **14 Years**

(21) Appl. No.: **29/490,185**

(22) Filed: **May 7, 2014**

(30) **Foreign Application Priority Data**

Nov. 7, 2013 (EM) 002340372-002

(51) **LOC (10) Cl.** **24-02**

(52) **U.S. Cl.**
USPC **D24/146**

(58) **Field of Classification Search**
USPC D7/649; D8/93, 97, 300, 310, 311, 313;
D19/110, 115; D24/127, 130, 133,
D24/146, 147, 148
CPC B26B 3/00; B26B 1/10; B26B 5/005;
A61B 17/809; A61B 17/1617; A61B 17/3211;
A61B 5/1411; A61B 17/3417
See application file for complete search history.

(56) **References Cited**

U.S. PATENT DOCUMENTS

3,980,078 A * 9/1976 Tominaga 600/157
4,112,932 A * 9/1978 Chiulli 604/264
D370,062 S * 5/1996 Tucker D24/130

5,685,823 A * 11/1997 Ito et al. 600/127
D619,716 S 7/2010 Wagner
7,846,090 B2 * 12/2010 Pilvisto et al. 600/153
D638,941 S * 5/2011 Cuschieri D24/147
D664,654 S * 7/2012 Cuschieri et al. D24/138
8,251,900 B2 * 8/2012 Ortiz et al. 600/208
D666,717 S * 9/2012 Hermle D24/138
D670,805 S * 11/2012 Hermle D24/138
8,430,811 B2 * 4/2013 Hess et al. 600/203
8,485,970 B2 * 7/2013 Widenhouse et al. 600/201
D717,432 S * 11/2014 Leroy et al. D24/138
D720,068 S * 12/2014 Oberlaender D24/133
8,961,406 B2 * 2/2015 Ortiz et al. 600/204
2010/0063452 A1 * 3/2010 Edelman et al. 604/175
2010/0228091 A1 * 9/2010 Widenhouse et al. 600/203
2010/0228094 A1 * 9/2010 Ortiz et al. 600/205

* cited by examiner

Primary Examiner — Brandon M Rosati

Assistant Examiner — Marissa J Cash

(74) *Attorney, Agent, or Firm* — Muncy, Geissler, Olds & Lowe, P.C.

(57) **CLAIM**

The ornamental design for a trocar, as shown and described.

DESCRIPTION

FIG. 1 is a perspective view of a trocar according to the present invention.

FIG. 2 is a bottom view of the trocar of FIG. 1.

FIG. 3 is a top view of the trocar of FIG. 1.

FIG. 4 is a left view of the trocar of FIG. 1.

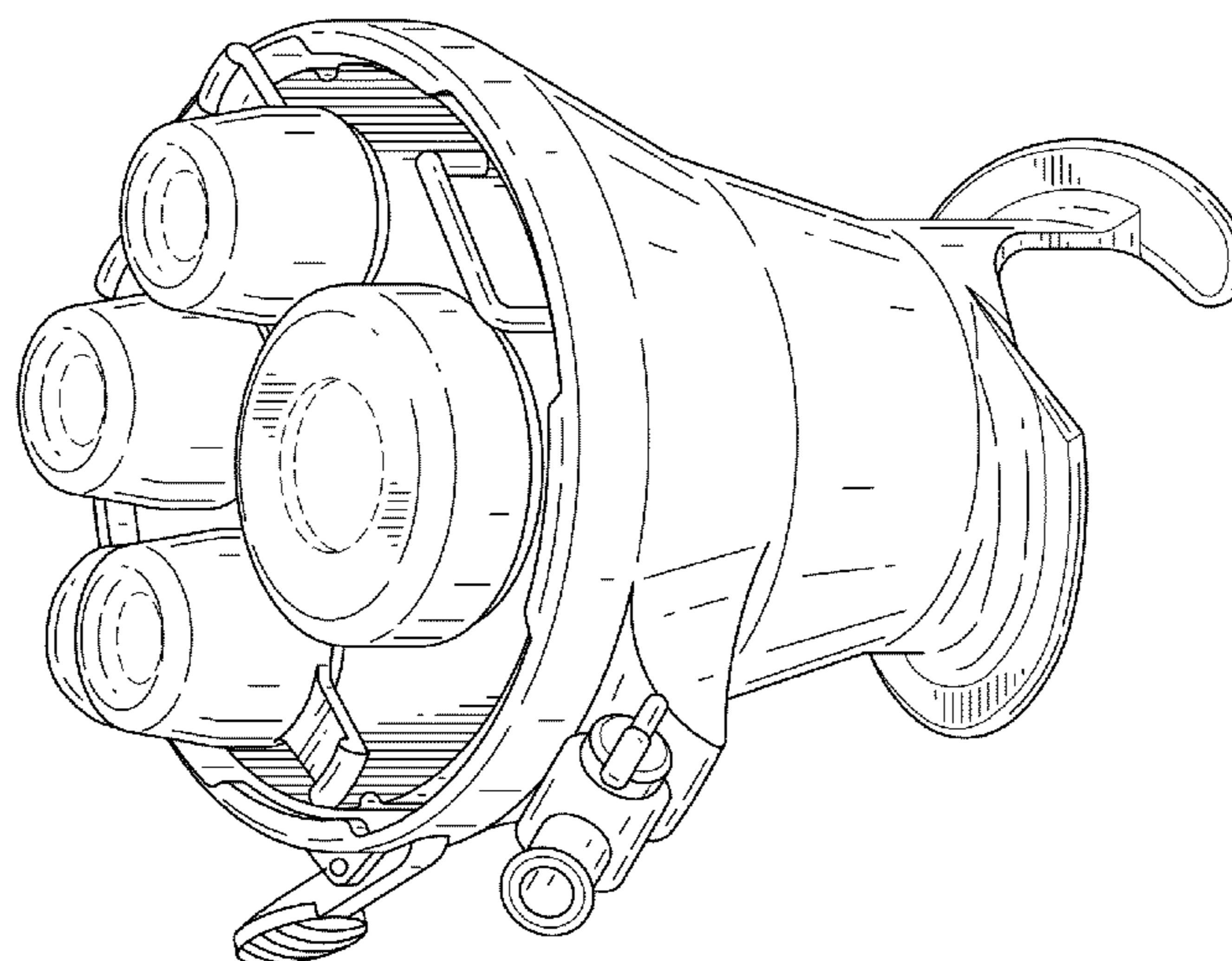
FIG. 5 is a right view of the trocar of FIG. 1.

FIG. 6 is a front view of the trocar of FIG. 1; and,

FIG. 7 is a rear view of the trocar of FIG. 1.

The dashed lines illustrate environment that does not form a part of the present invention, and no claim is made to the material illustrated with dashed lines.

1 Claim, 7 Drawing Sheets



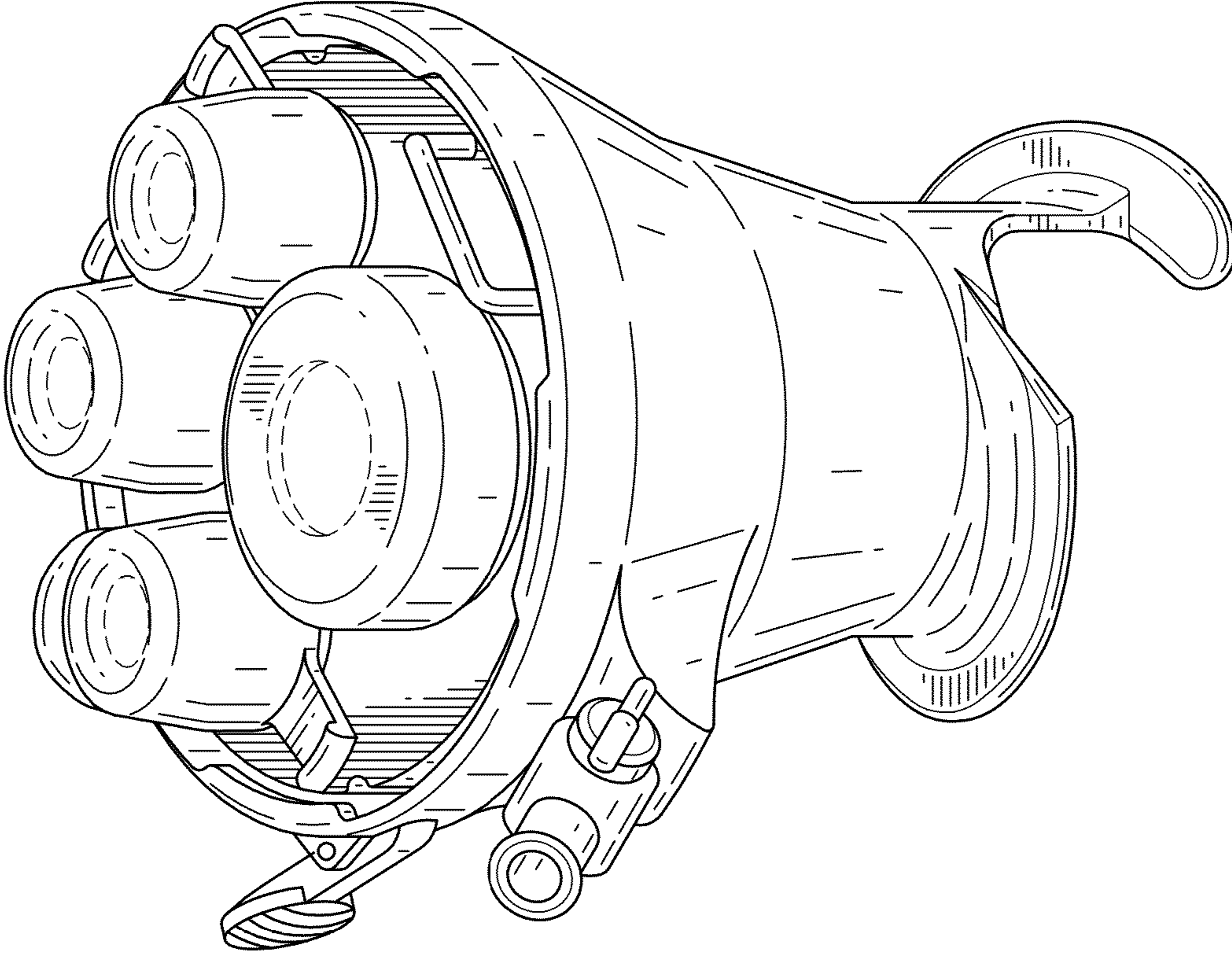


FIG.1

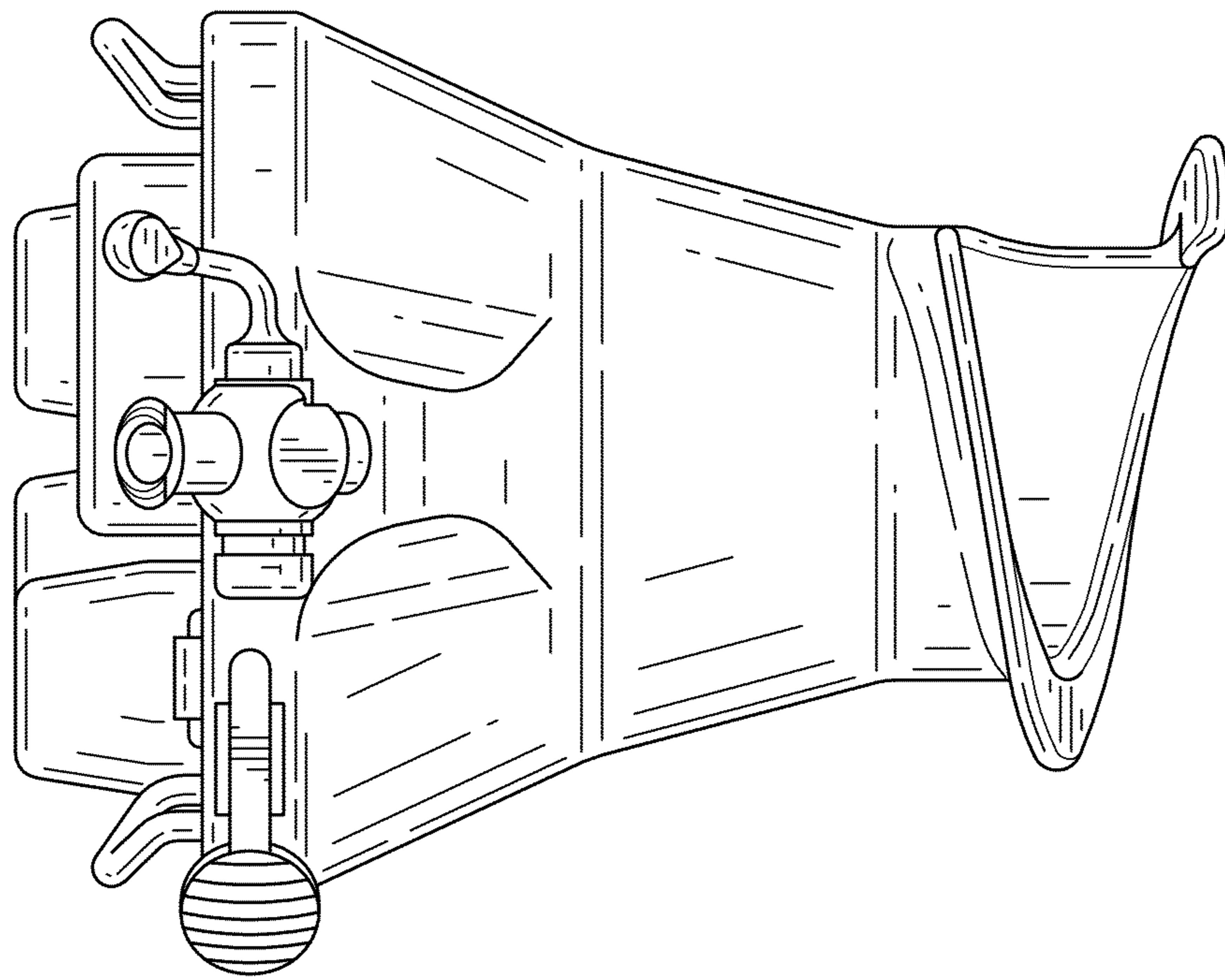


FIG.2

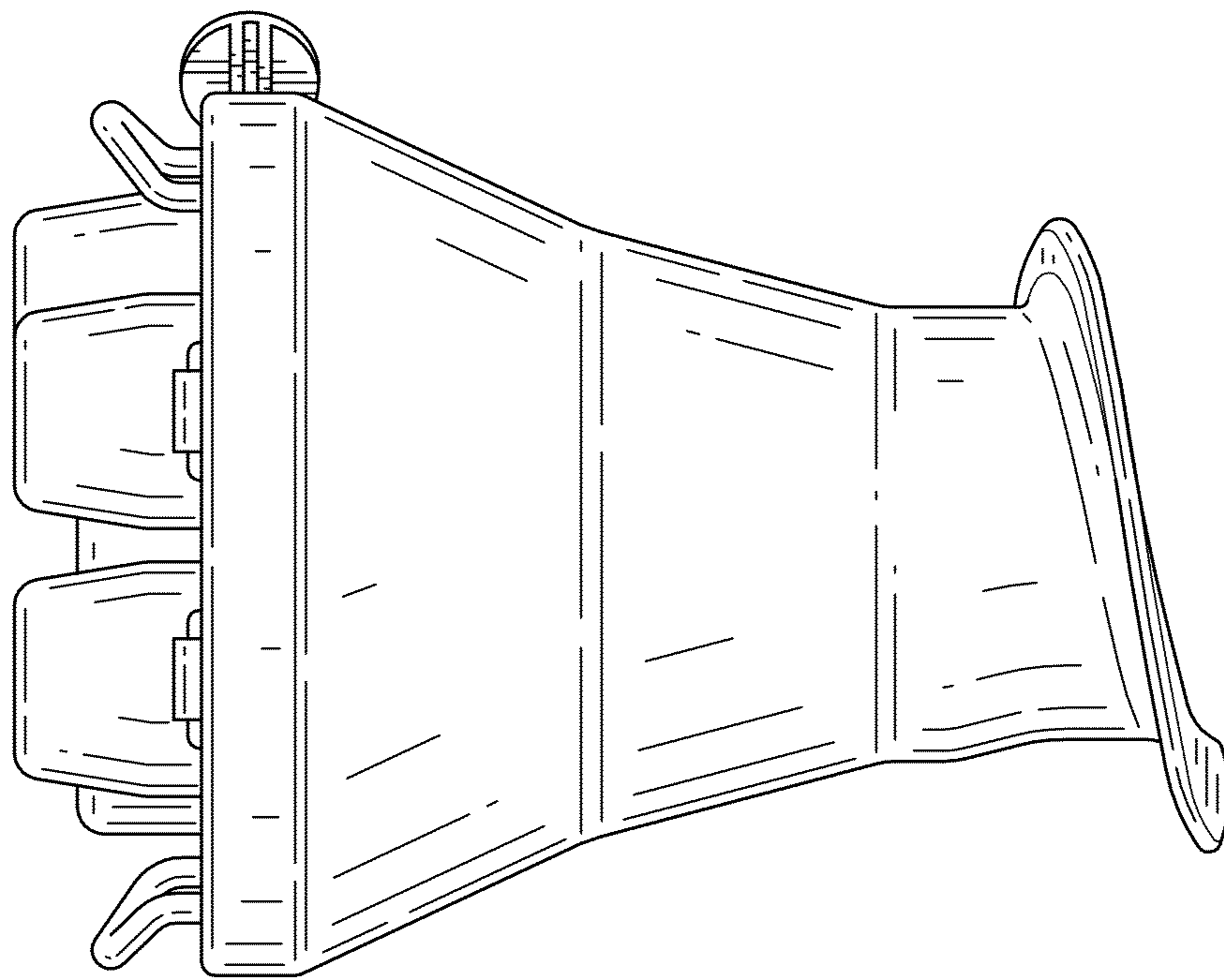


FIG.3

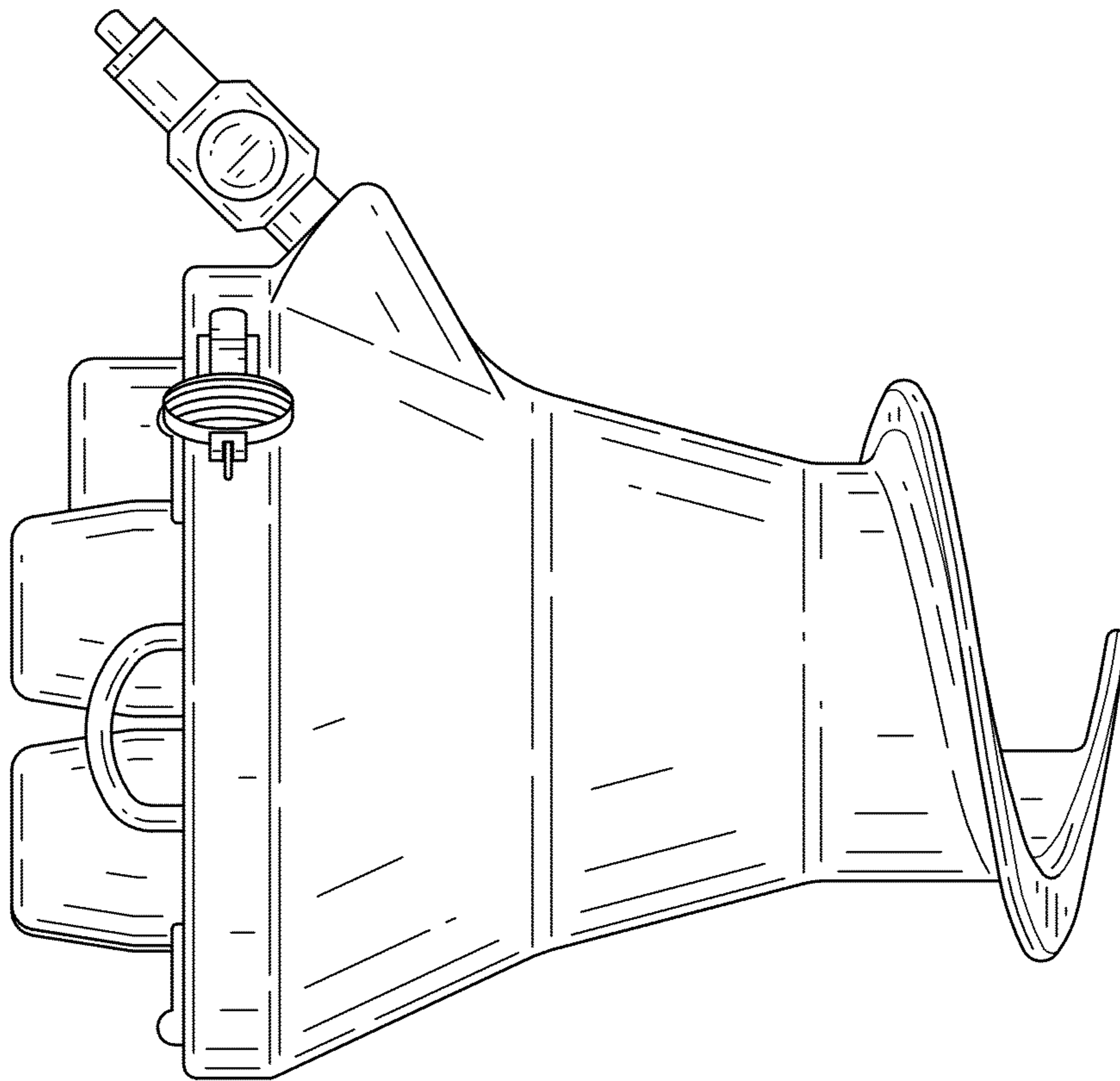


FIG.4

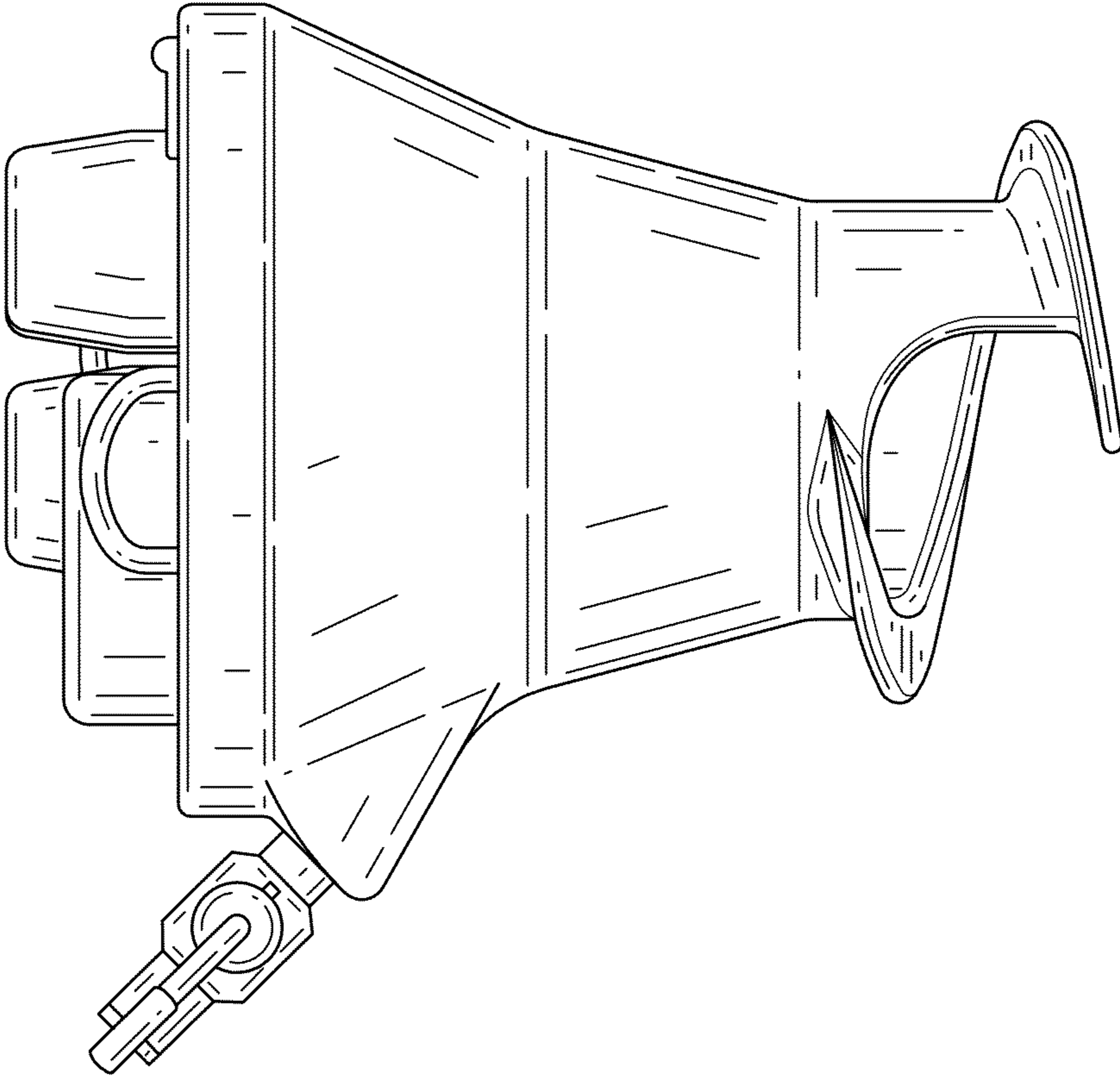


FIG.5

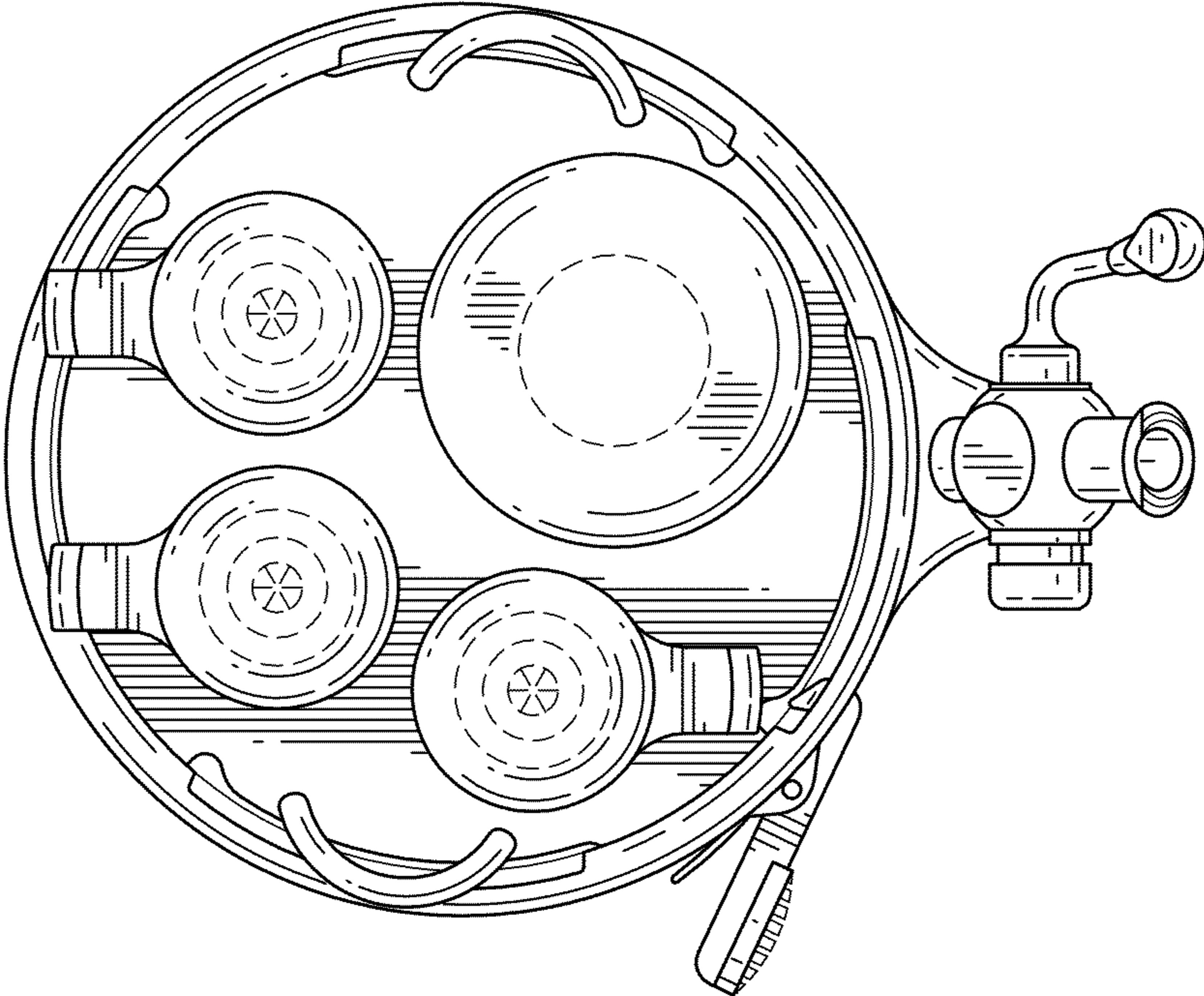


FIG.6

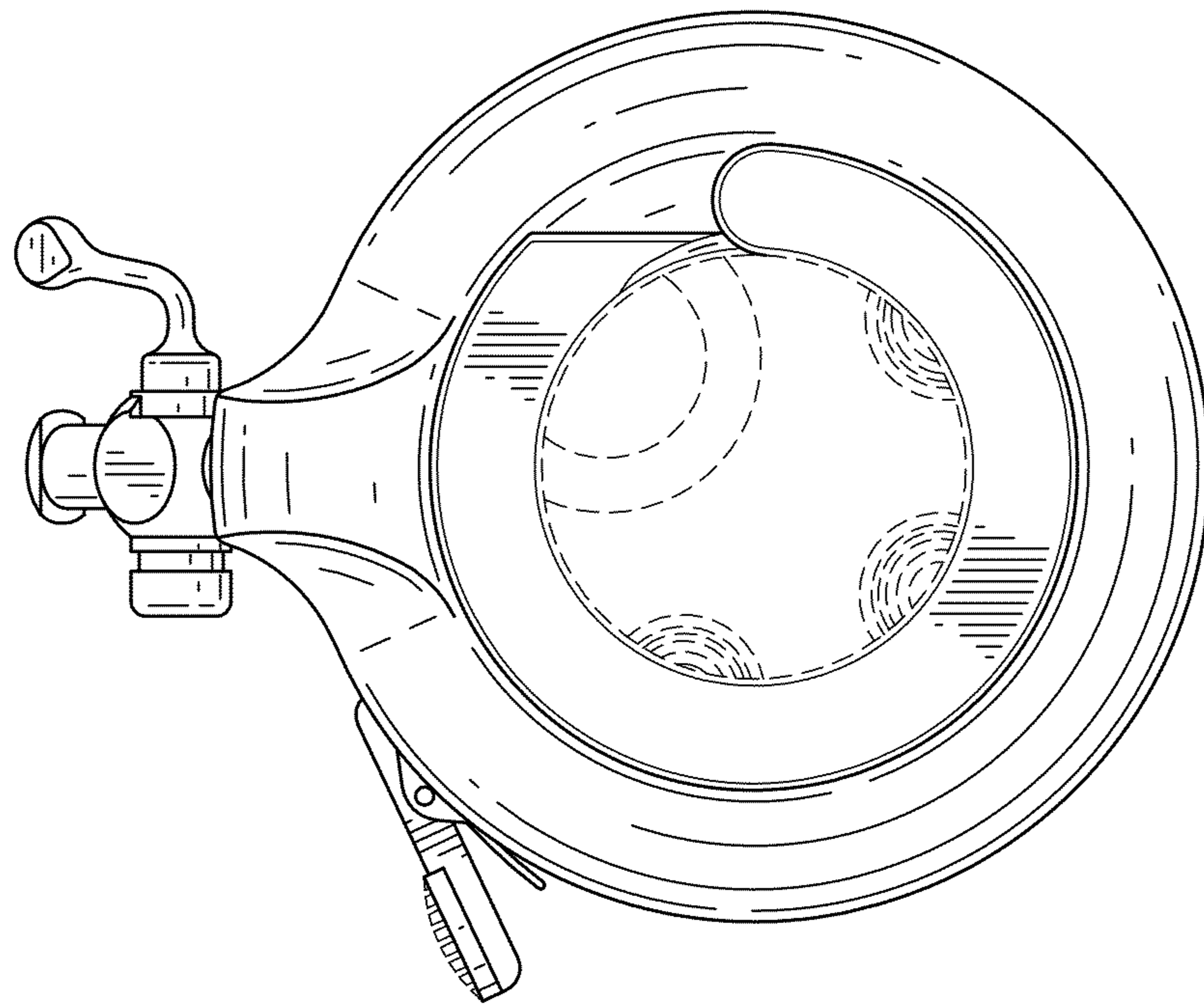


FIG.7