



US00D757265S

(12) **United States Design Patent**
Eisenlauer et al.

(10) **Patent No.:** **US D757,265 S**
(45) **Date of Patent:** **** May 24, 2016**

(54) **ENDOSCOPE**

(71) Applicant: **KARL STORZ GmbH & Co. KG**,
Tuttlingen (DE)

(72) Inventors: **Johannes Eisenlauer**, Weilheim (DE);
Felix Teufel, Tuttlingen (DE)

(73) Assignee: **KARL STORZ GmbH & Co. KG**,
Tuttlingen (DE)

(**) Term: **14 Years**

(21) Appl. No.: **29/504,230**

(22) Filed: **Oct. 3, 2014**

(30) **Foreign Application Priority Data**

Apr. 3, 2014 (EM) 002439760-0002

(51) **LOC (10) Cl.** **24-02**

(52) **U.S. Cl.**
USPC **D24/138**

(58) **Field of Classification Search**
USPC D24/138, 137, 133, 135, 140; 600/131,
600/132, 145-147
CPC A61B 1/267; A61B 1/2673; A61B 1/2676;
A61B 1/00; A61B 1/00052; A61B 1/00066;
A61B 5/0077; A61B 19/5223; A61B 19/5225;
A61B 1/04; A61B 8/5215; G02B 23/24
See application file for complete search history.

(56) **References Cited**

U.S. PATENT DOCUMENTS

D533,941 S * 12/2006 Furst D24/137
D534,276 S * 12/2006 Michel D24/137
D583,470 S * 12/2008 Kupferschmid D24/138
D583,471 S * 12/2008 Kupferschmid D24/138
D598,099 S * 8/2009 Halbig D24/138

D612,047 S * 3/2010 Nagele D24/138
D663,837 S * 7/2012 Becker D24/138
D666,719 S * 9/2012 Becker D24/138
D667,546 S * 9/2012 Becker D24/138
D715,433 S * 10/2014 Berci D24/138
D739,016 S * 9/2015 Berci D24/138

(Continued)

FOREIGN PATENT DOCUMENTS

CN 301113827 * 1/2010
CN 302424930 * 5/2013

(Continued)

Primary Examiner — Bridget L Eland

Assistant Examiner — Lauren McVey

(74) *Attorney, Agent, or Firm* — Muncy, Geissler, Olds & Lowe, P.C.

(57) **CLAIM**

The ornamental design for an endoscope, as shown and described.

DESCRIPTION

FIG. 1 is a perspective view of an endoscope according to the present invention.

FIG. 2 is a left side view of the endoscope of FIG. 1.

FIG. 3 is a right side view of the endoscope of FIG. 1.

FIG. 4 is a top plan view of the endoscope of FIG. 1.

FIG. 5 is a bottom plan view of the endoscope of FIG. 1.

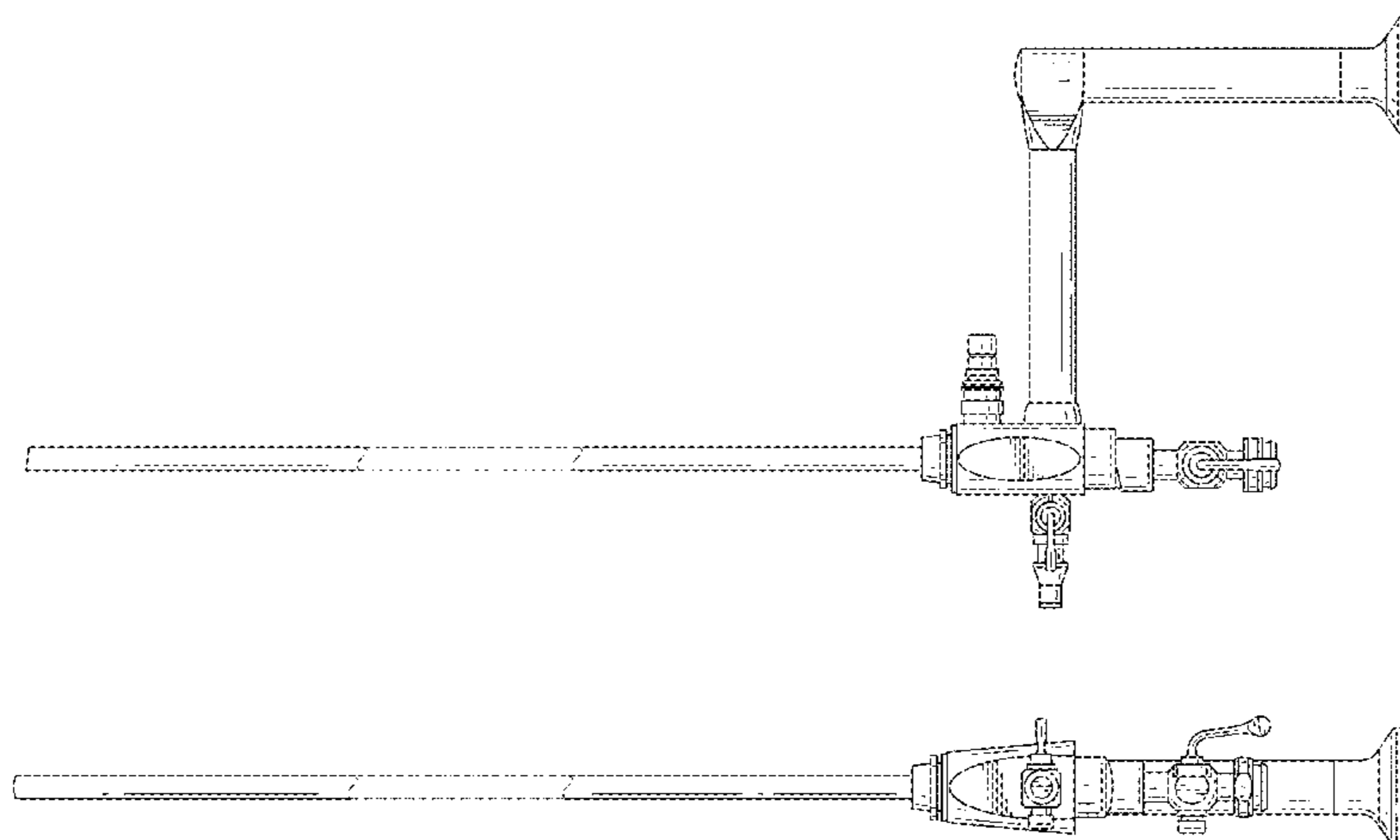
FIG. 6 is a front view of the endoscope of FIG. 1; and,

FIG. 7 is a rear view of the endoscope of FIG. 1.

The broken lines shown in the views are included for the purpose of illustrating portions of the endoscope that form no part of the claimed design.

The broken away symbols in the drawings indicate that any portion of the endoscope beyond what is shown forms no part of the claimed design.

1 Claim, 7 Drawing Sheets



US D757,265 S

Page 2

(56)

References Cited

U.S. PATENT DOCUMENTS

D743,028 S * 11/2015 Teufel D24/138
D743,029 S * 11/2015 Mesle D24/138

FOREIGN PATENT DOCUMENTS

CN 302436943 * 5/2013

CN	303114905	* 2/2015
EM	000277439-0001	12/2004
EM	000702956-0001	4/2007
EM	001651142-0003	12/2009
EM	001651142-0005	12/2009
EM	001844184-0002	3/2011

* cited by examiner

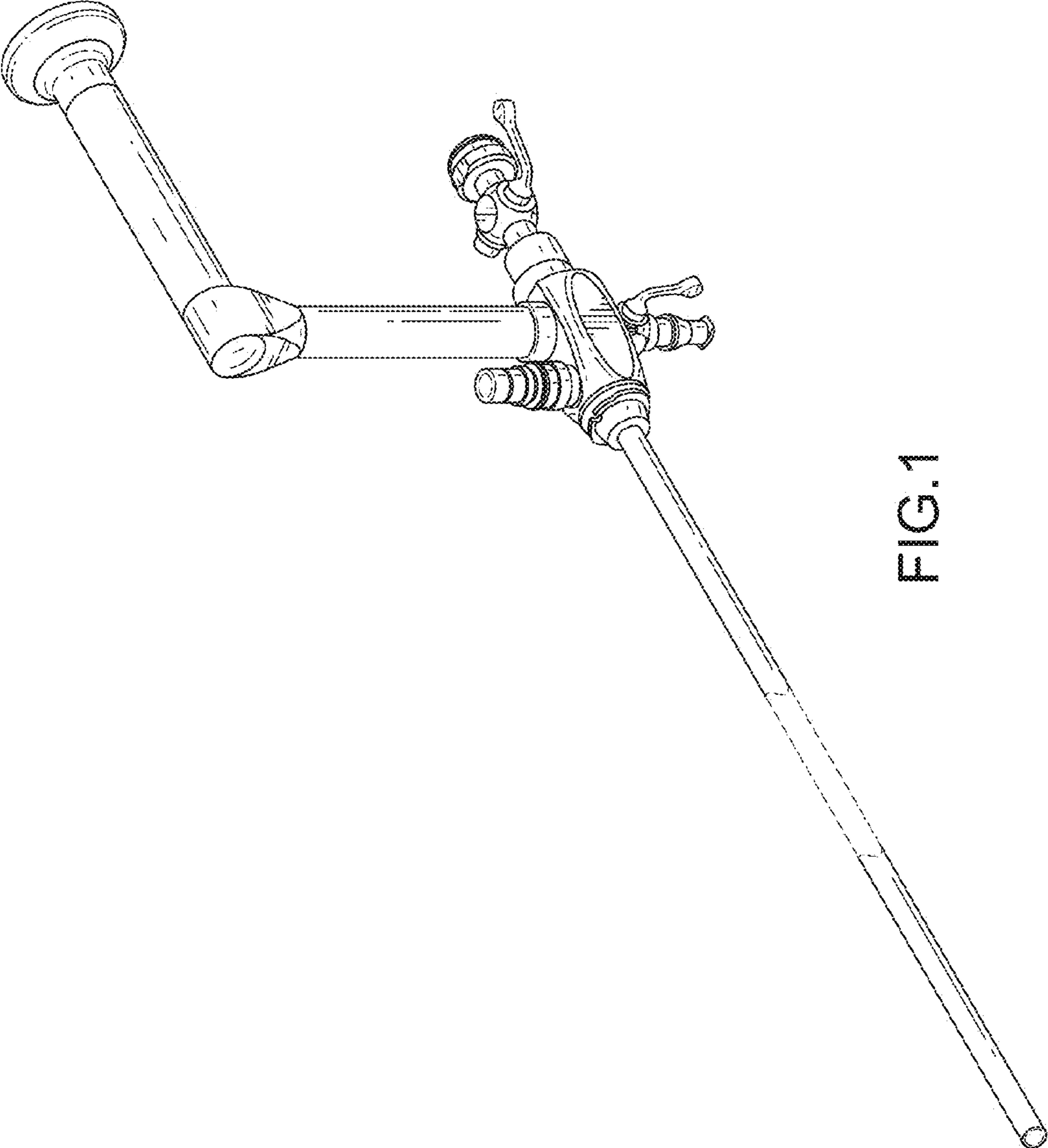


FIG.1

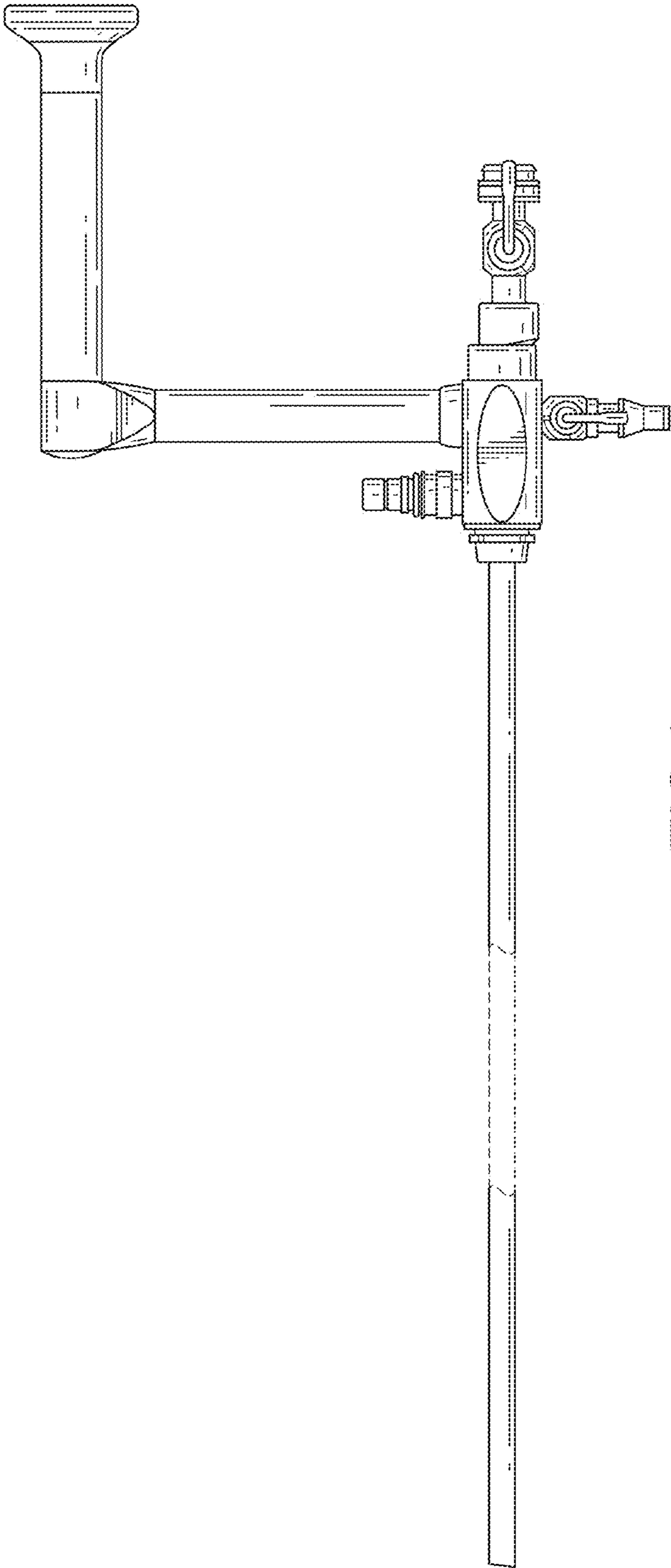


FIG.2

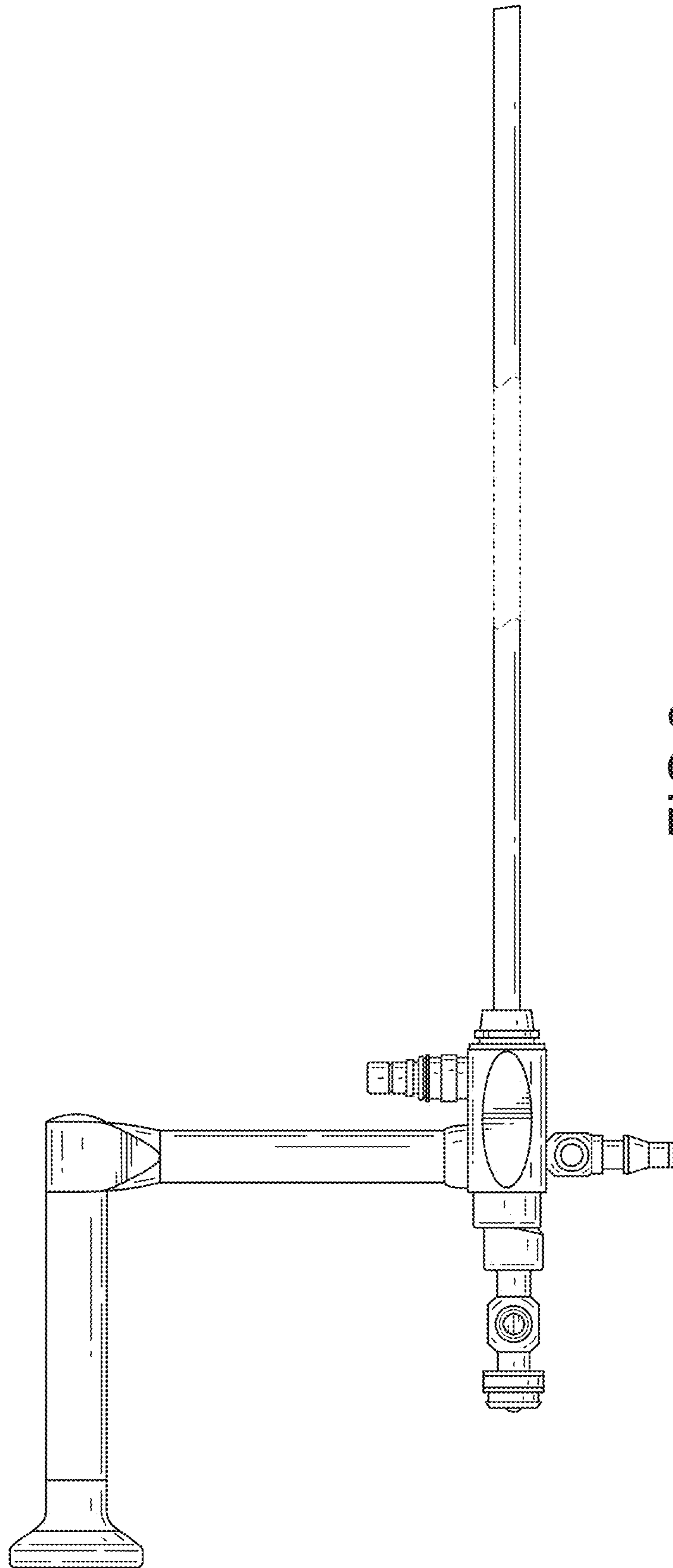


FIG. 3

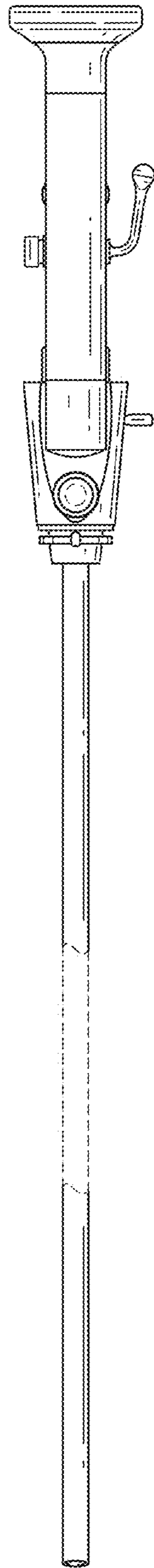


FIG.4

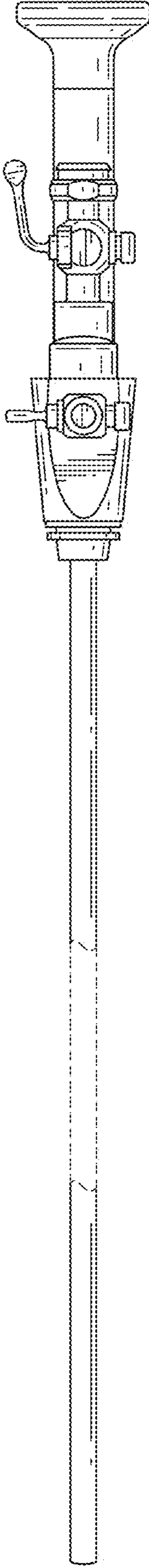


FIG.5

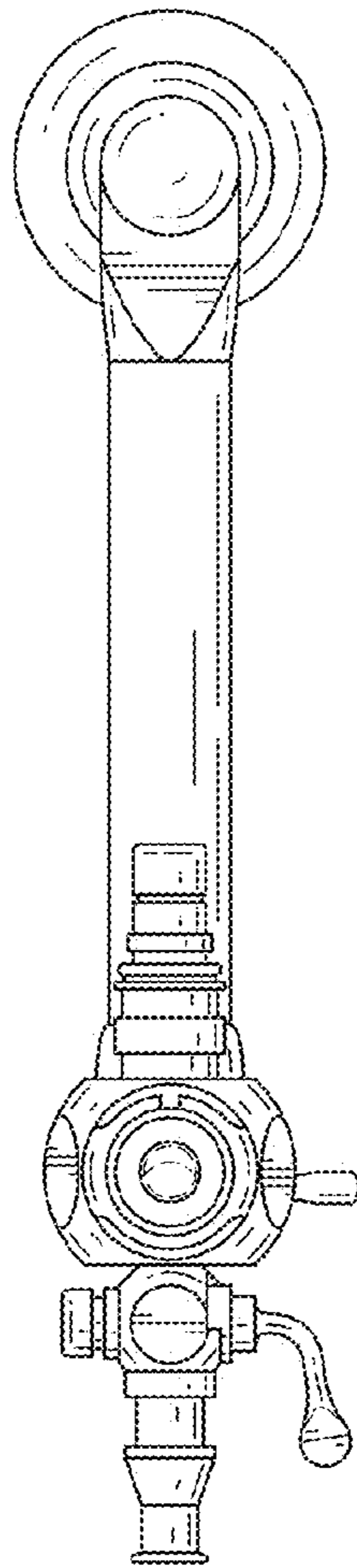


FIG.6

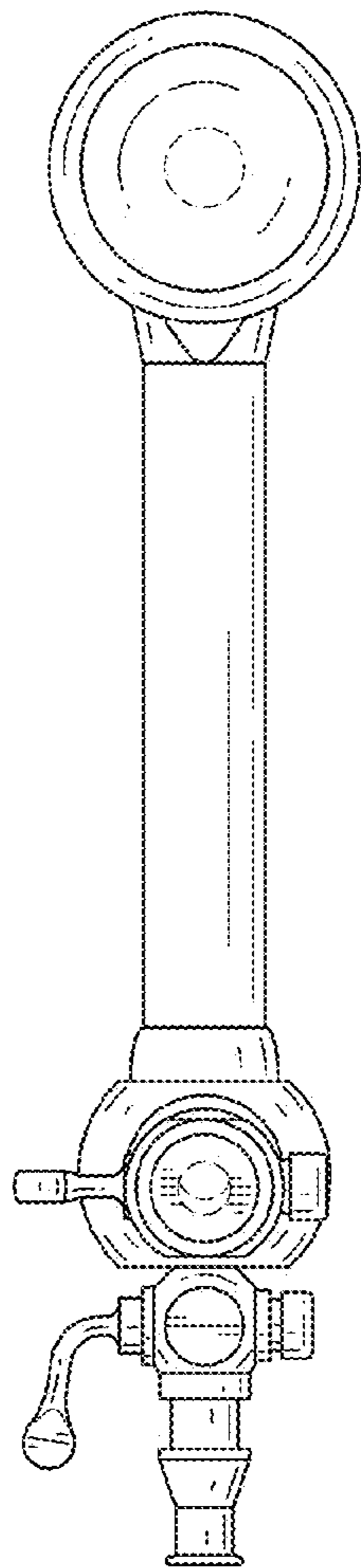


FIG. 7