



US00D757264S

(12) **United States Design Patent**
Eisenlauer et al.

(10) **Patent No.:** **US D757,264 S**

(45) **Date of Patent:** **** May 24, 2016**

(54) **ENDOSCOPE**

(71) Applicant: **KARL STORZ GmbH & Co. KG,**
Tuttlingen (DE)

(72) Inventors: **Johannes Eisenlauer,** Weilheim (DE);
Felix Teufel, Tuttlingen (DE)

(73) Assignee: **KARL STORZ GmbH & Co. KG,**
Tuttlingen (DE)

(**) Term: **14 Years**

(21) Appl. No.: **29/504,229**

(22) Filed: **Oct. 3, 2014**

(30) **Foreign Application Priority Data**

Apr. 3, 2014 (DE) 002439760-0001

(51) **LOC (10) Cl.** **24-02**

(52) **U.S. Cl.**
USPC **D24/138**

(58) **Field of Classification Search**
USPC D24/138, 137, 133, 135, 140; 600/131,
600/132, 145-147
CPC A61B 1/267; A61B 1/2673; A61B 1/2676;
A61B 1/00; A61B 1/00052; A61B 1/00066;
A61B 5/0077; A61B 19/5223; A61B 19/5225;
A61B 1/04; A61B 8/5215; G02B 23/24
See application file for complete search history.

(56) **References Cited**

U.S. PATENT DOCUMENTS

D533,941 S * 12/2006 Furst D24/137
D534,276 S * 12/2006 Michel D24/137
D583,470 S * 12/2008 Kupferschmid D24/138
D583,471 S * 12/2008 Kupferschmid D24/138
D598,099 S * 8/2009 Halbig D24/138

D612,047 S * 3/2010 Nagele D24/138
D663,837 S * 7/2012 Becker D24/138
D666,719 S * 9/2012 Becker D24/138
D667,546 S * 9/2012 Becker D24/138
D715,433 S * 10/2014 Berci D24/138
D739,016 S * 9/2015 Berci D24/138

(Continued)

FOREIGN PATENT DOCUMENTS

CN 301113827 * 1/2010
CN 302424930 * 5/2013

(Continued)

Primary Examiner — Bridget L Eland

Assistant Examiner — Lauren McVey

(74) *Attorney, Agent, or Firm* — Muncy, Geissler, Olds & Lowe, P.C.

(57) **CLAIM**

The ornamental design for an endoscope, as shown and described.

DESCRIPTION

FIG. 1 is a perspective view of an endoscope according to the present invention.

FIG. 2 is a left side view of the endoscope of FIG. 1.

FIG. 3 is a right side view of the endoscope of FIG. 1.

FIG. 4 is a top plan view of the endoscope of FIG. 1.

FIG. 5 is a bottom plan view of the endoscope of FIG. 1.

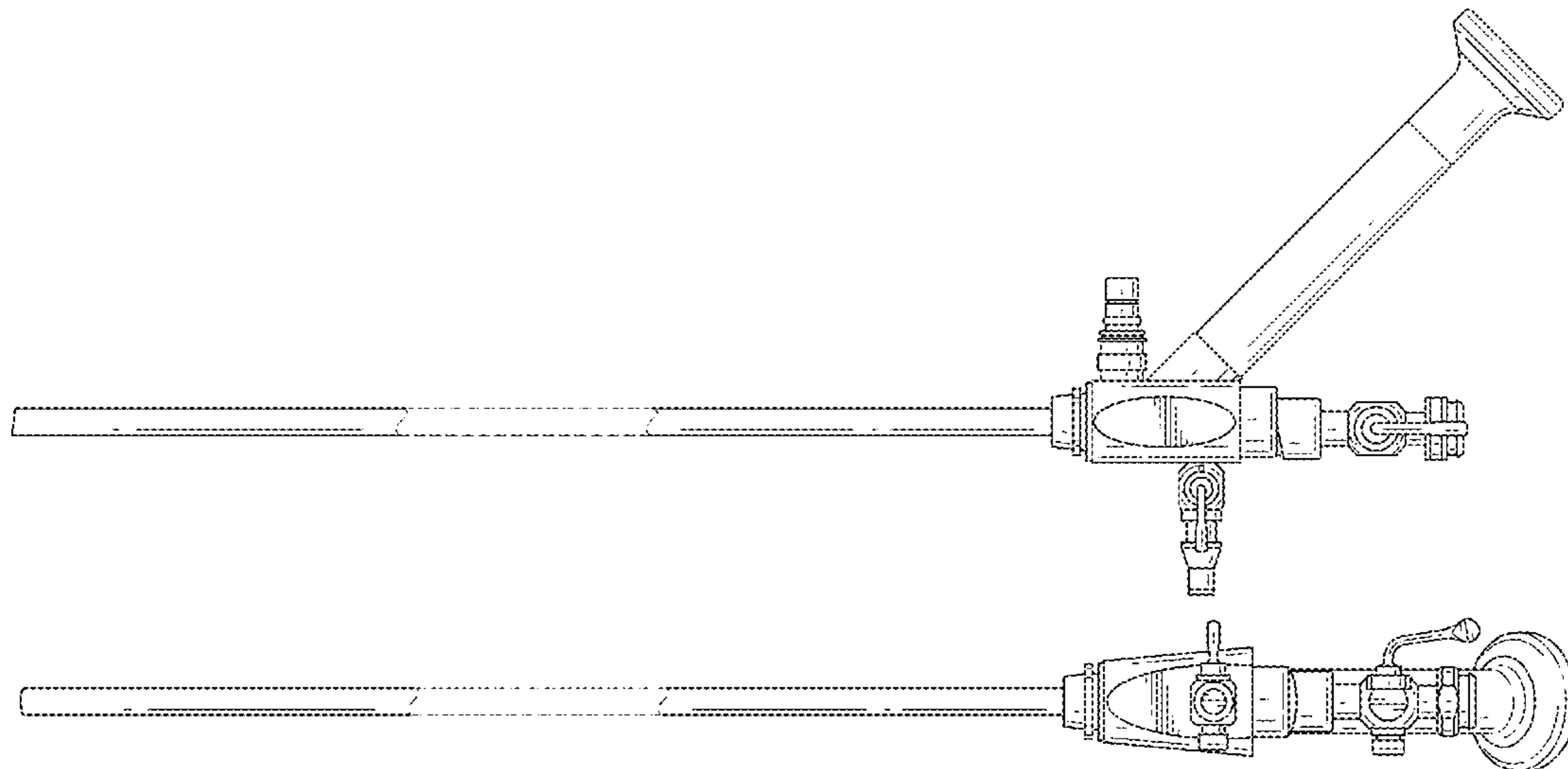
FIG. 6 is a front view of the endoscope of FIG. 1; and,

FIG. 7 is a rear view of the endoscope of FIG. 1.

The broken lines shown in the views are included for the purpose of illustrating portions of the endoscope that form no part of the claimed design.

The broken away symbols in the drawings indicate that any portion of the article beyond what is shown forms no part of the claimed design.

1 Claim, 7 Drawing Sheets



(56)

References Cited

FOREIGN PATENT DOCUMENTS

U.S. PATENT DOCUMENTS

D743,028 S * 11/2015 Teufel D24/138
D743,029 S * 11/2015 Mesle D24/138

CN 302436943 * 5/2013
CN 303114905 * 2/2015

* cited by examiner

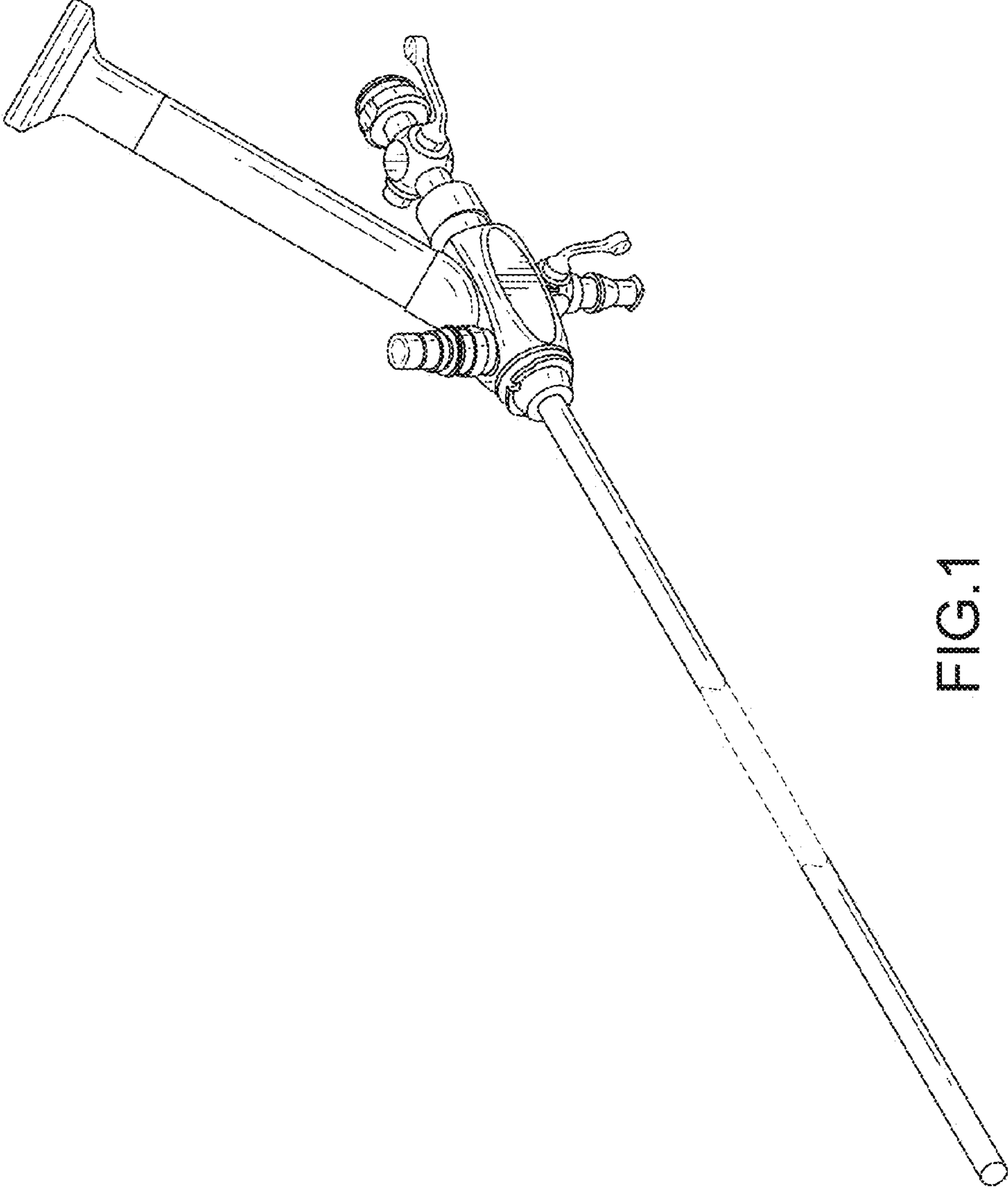


FIG.1

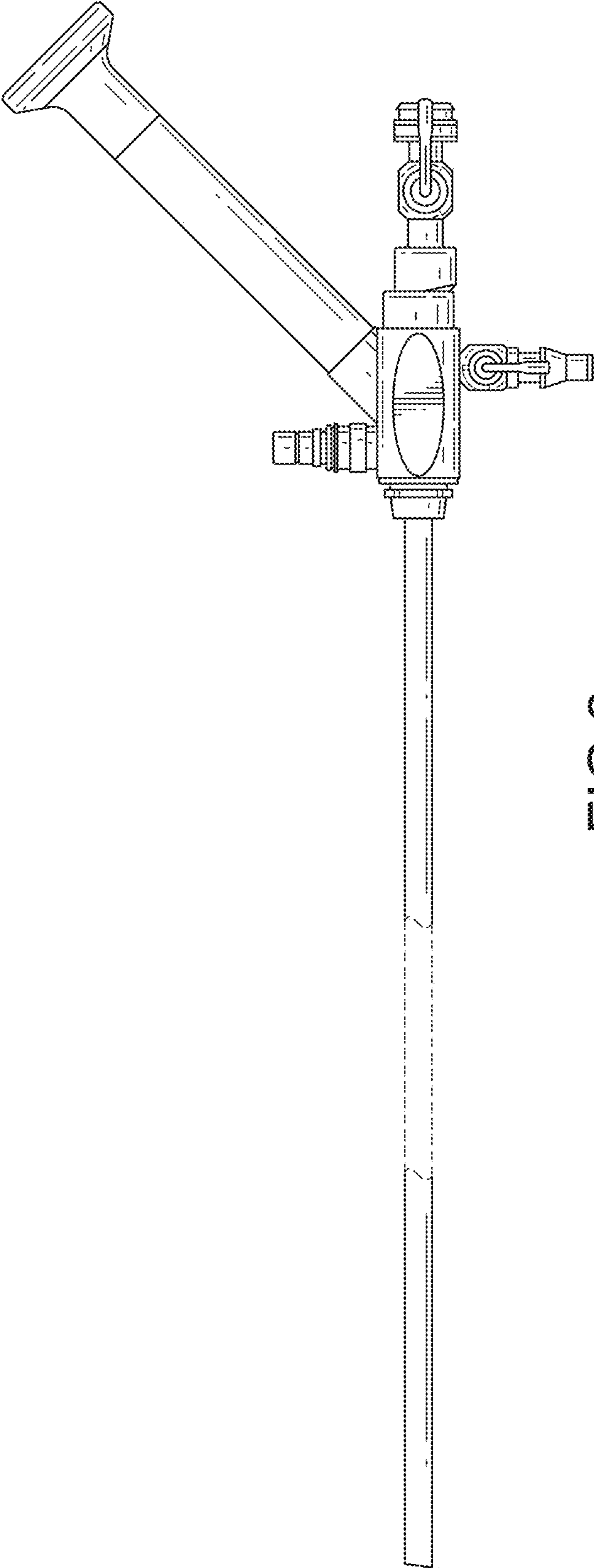


FIG.2

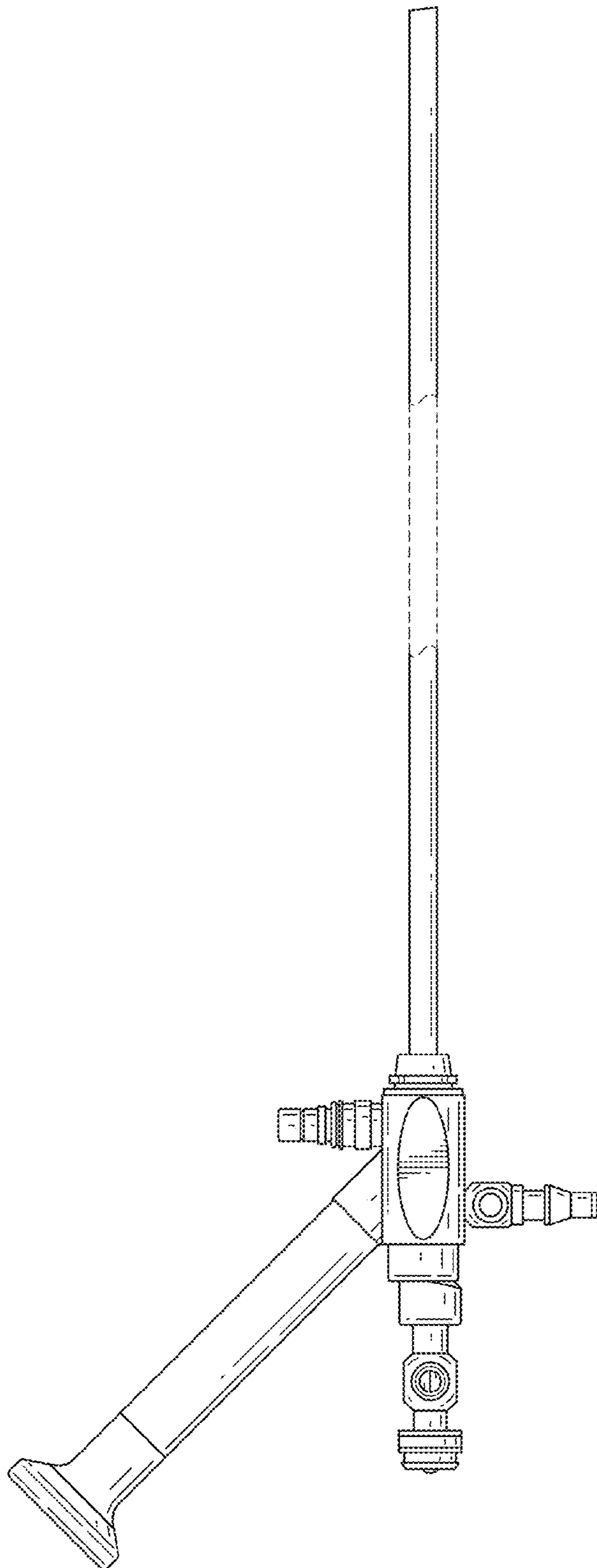


FIG. 3

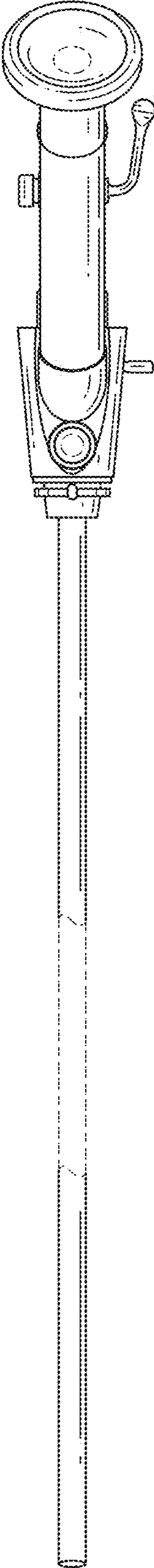


FIG.4

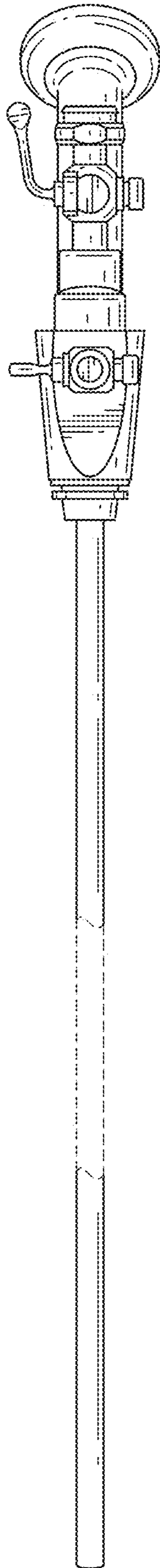


FIG. 5

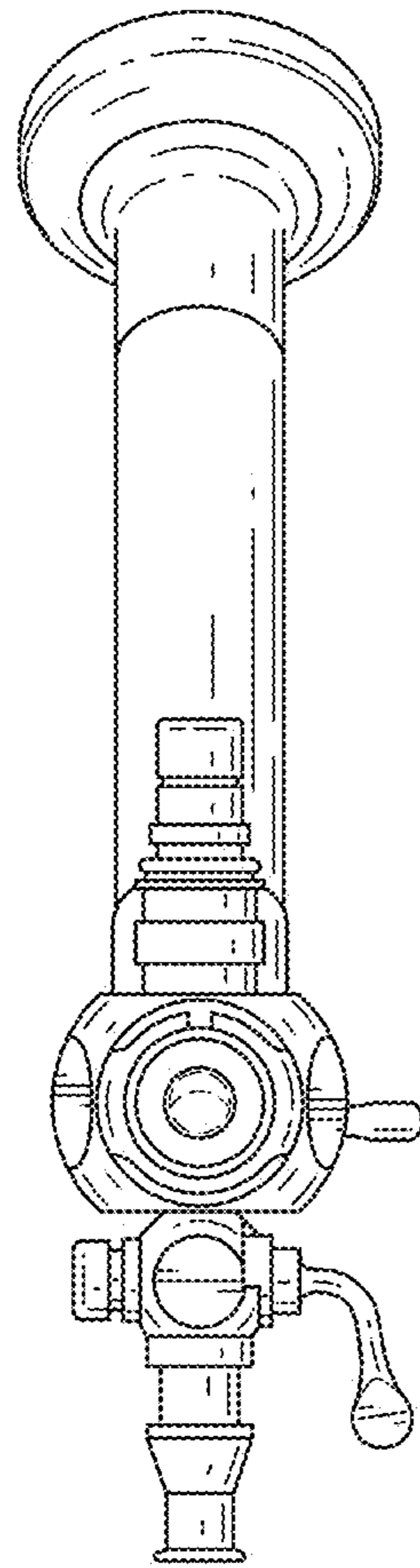


FIG.6

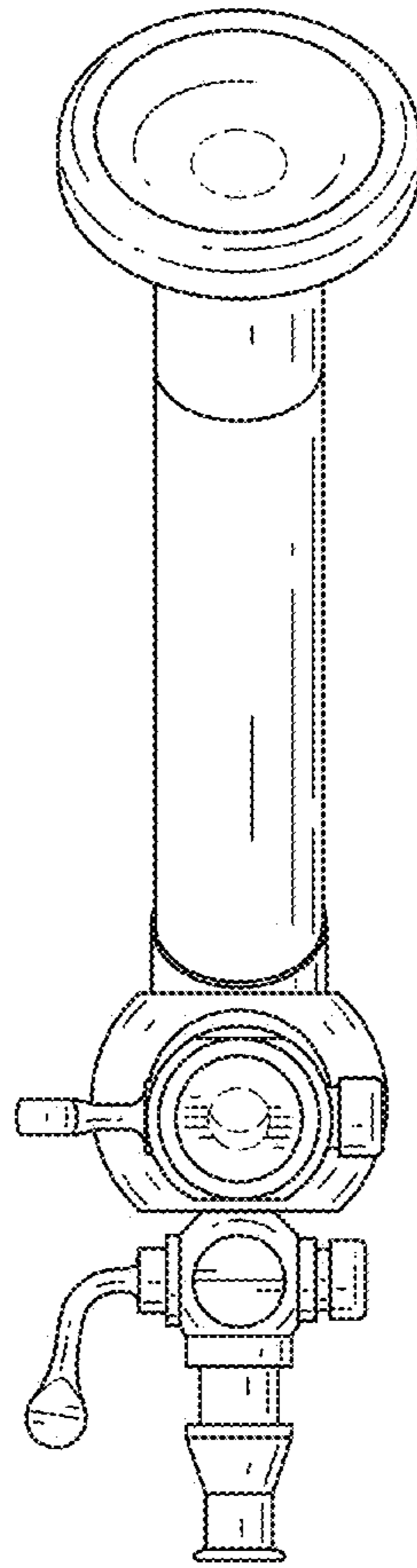


FIG.7

UNITED STATES PATENT AND TRADEMARK OFFICE
CERTIFICATE OF CORRECTION

PATENT NO. : D757,264 S
APPLICATION NO. : 29/504229
DATED : May 24, 2016
INVENTOR(S) : Eisenlauer et al.

Page 1 of 1

It is certified that error appears in the above-identified patent and that said Letters Patent is hereby corrected as shown below:

TITLE PAGE

The Letters Patent shows:

(30) **Foreign Application Priority Data**
Apr. 3 2014 (DE).....002439760-0001

It should show:

(30) **Foreign Application Priority Data**
Apr. 3 2014 (EM).....002439760-0001

Signed and Sealed this
Sixth Day of September, 2016



Michelle K. Lee
Director of the United States Patent and Trademark Office