



US00D757263S

(12) **United States Design Patent**
Hofer

(10) **Patent No.:** **US D757,263 S**

(45) **Date of Patent:** **** May 24, 2016**

(54) **ENDOSCOPE**

(71) Applicant: **KARL STORZ GmbH & Co. KG,**
Tuttlingen (DE)

(72) Inventor: **Jochen Hofer,** Villingendorf (DE)

(73) Assignee: **KARL STORZ GmbH & Co. KG,**
Tuttlingen (DE)

(**) Term: **14 Years**

(21) Appl. No.: **29/504,227**

(22) Filed: **Oct. 3, 2014**

(30) **Foreign Application Priority Data**

Apr. 3, 2014 (EM) 002439737-0001

(51) **LOC (10) Cl.** **24-02**

(52) **U.S. Cl.**
USPC **D24/138**

(58) **Field of Classification Search**
USPC D24/138, 137, 133, 135, 140; 600/131,
600/132, 145-147
CPC A61B 1/267; A61B 1/2673; A61B 1/2676;
A61B 1/00; A61B 1/00052; A61B 1/00066;
A61B 5/0077; A61B 19/5223; A61B 19/5225;
A61B 1/04; A61B 8/5215; G02B 23/24
See application file for complete search history.

(56) **References Cited**

U.S. PATENT DOCUMENTS

D533,941 S * 12/2006 Furst D24/137
D534,276 S * 12/2006 Michel D24/137
D583,470 S * 12/2008 Kupferschmid D24/138

D583,471 S * 12/2008 Kupferschmid D24/138
D598,099 S * 8/2009 Halbig D24/138
D612,047 S * 3/2010 Nagele D24/138
D663,837 S * 7/2012 Becker D24/138
D666,719 S * 9/2012 Becker D24/138
D667,546 S * 9/2012 Becker D24/138
D715,433 S * 10/2014 Berci D24/138
D739,016 S * 9/2015 Berci D24/138
D743,028 S * 11/2015 Teufel D24/138
D743,029 S * 11/2015 Mesle D24/138

* cited by examiner

Primary Examiner — Bridget L Eland

Assistant Examiner — Lauren McVey

(74) *Attorney, Agent, or Firm* — Muncy, Geissler, Olds & Lowe, P.C.

(57) **CLAIM**

The ornamental design for an endoscope, as shown and described.

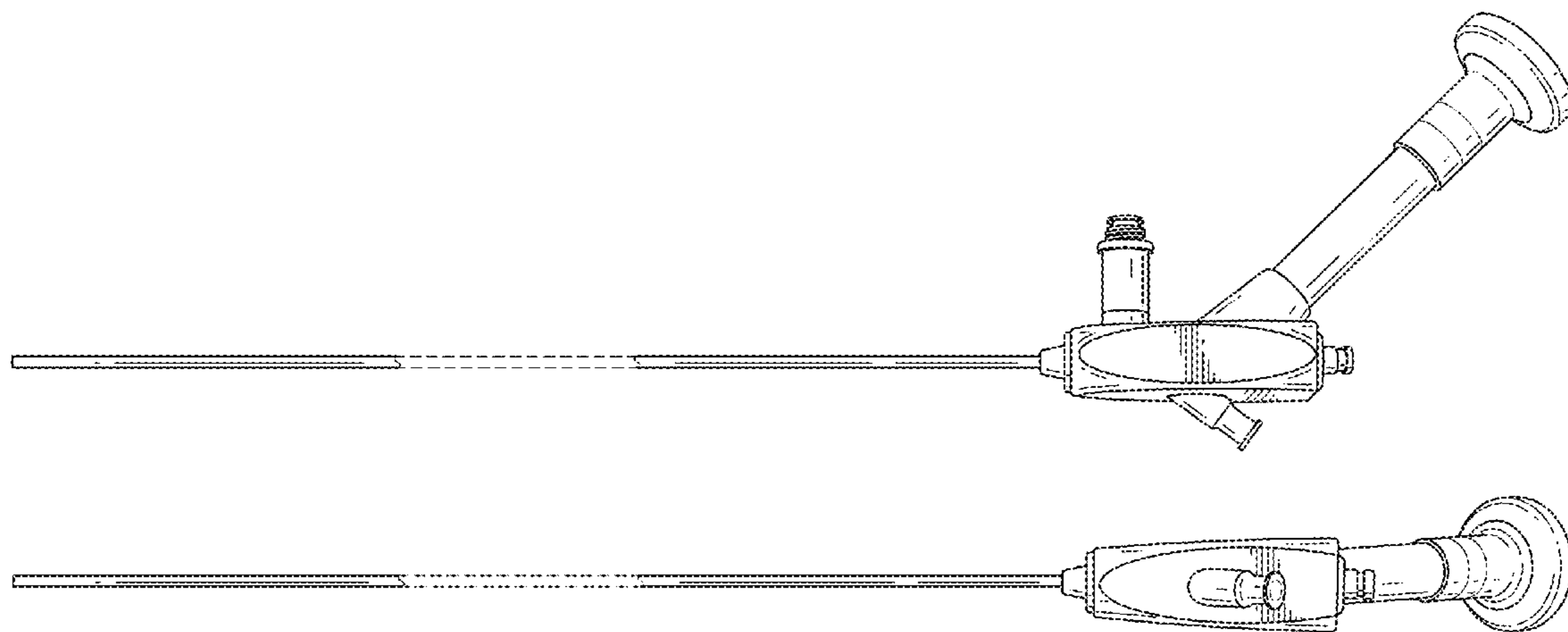
DESCRIPTION

FIG. 1 is a top right side perspective view of an endoscope according to the present invention;
FIG. 2 is a left side perspective view thereof;
FIG. 3 is a right side perspective view thereof;
FIG. 4 is a top perspective view thereof;
FIG. 5 is a bottom perspective view thereof;
FIG. 6 is a rear perspective view thereof; and,
FIG. 7 is a front perspective view thereof.

The broken lines shown in the views are included for the purpose of illustrating portions of the endoscope that form no part of the claimed design.

The broken away symbols in the drawings indicate that any portion of the article beyond what is shown forms no part of the claimed design.

1 Claim, 7 Drawing Sheets



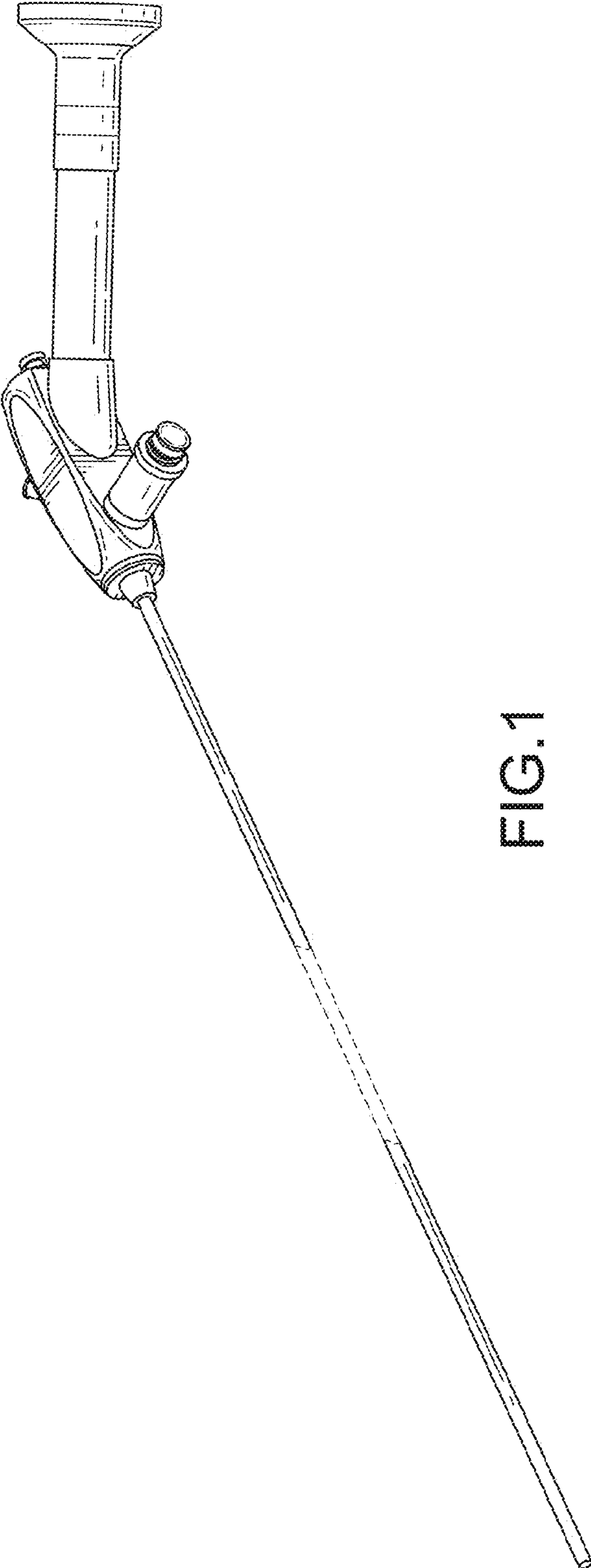


FIG.1

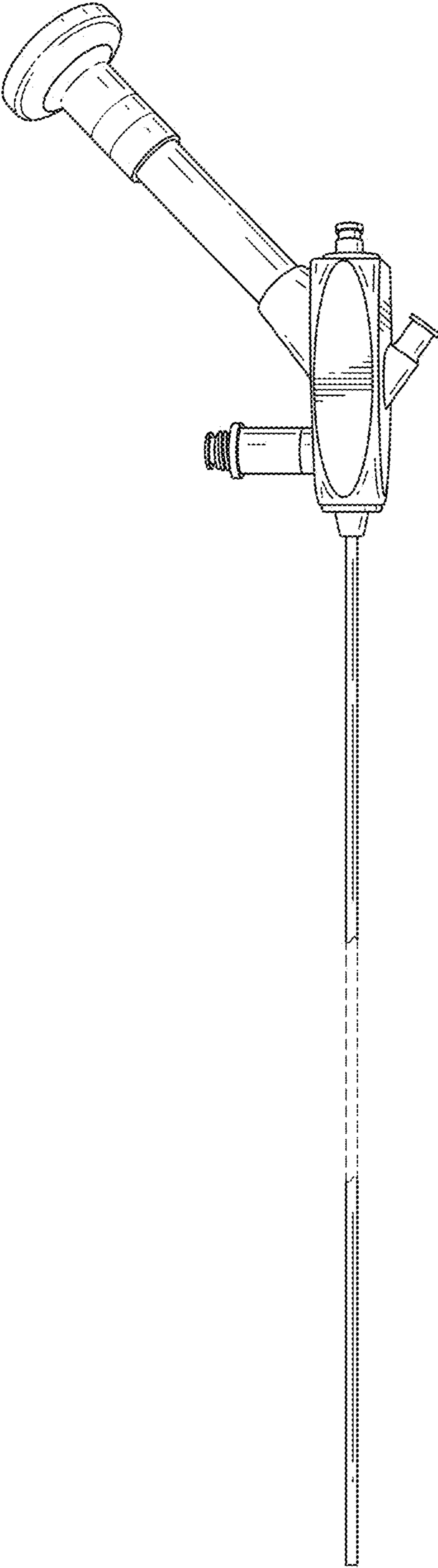


FIG.2

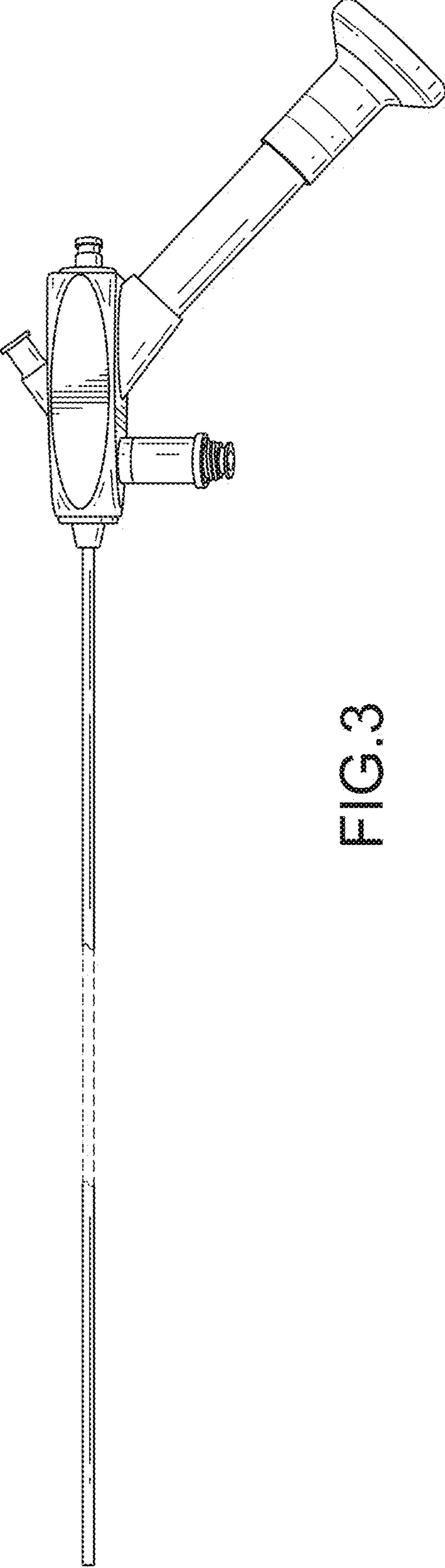


FIG. 3

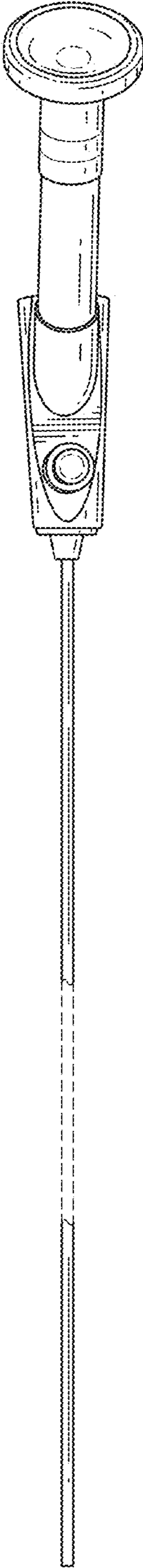


FIG.4

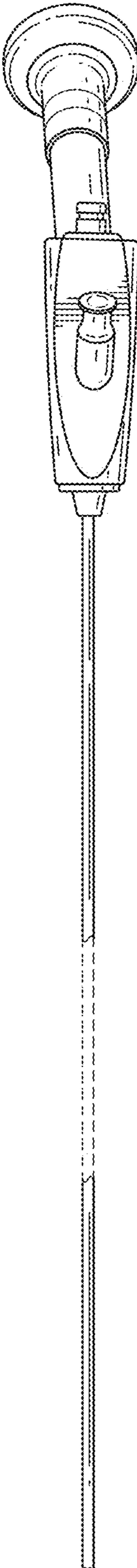


FIG. 5

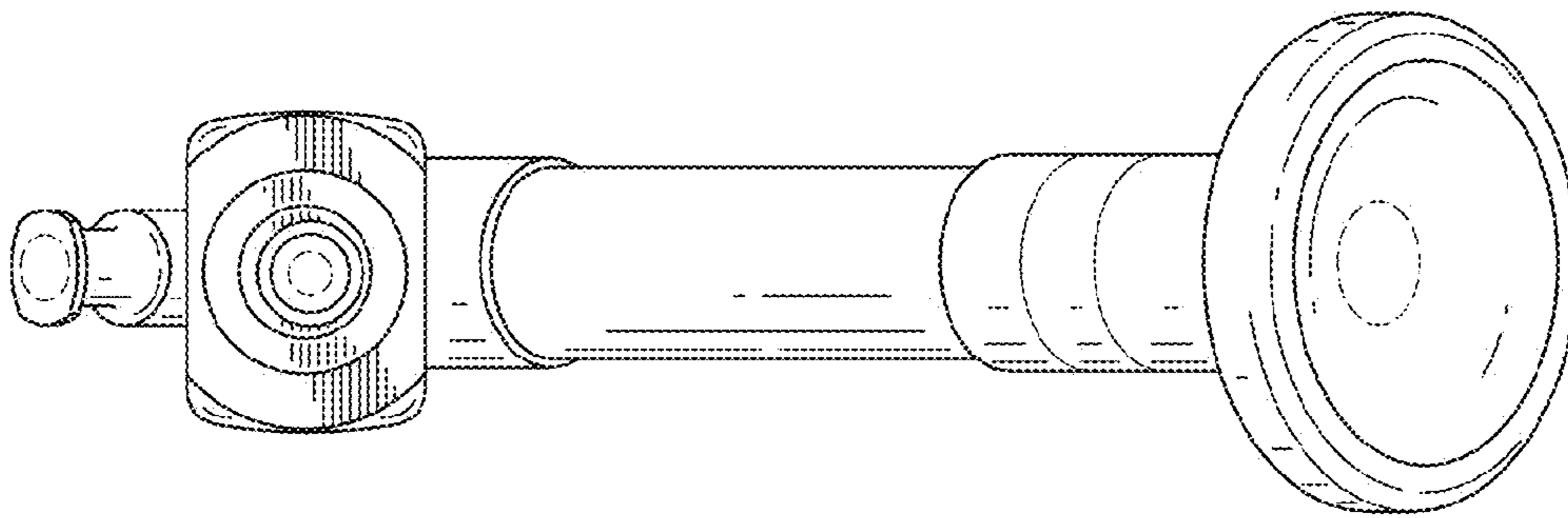


FIG. 6

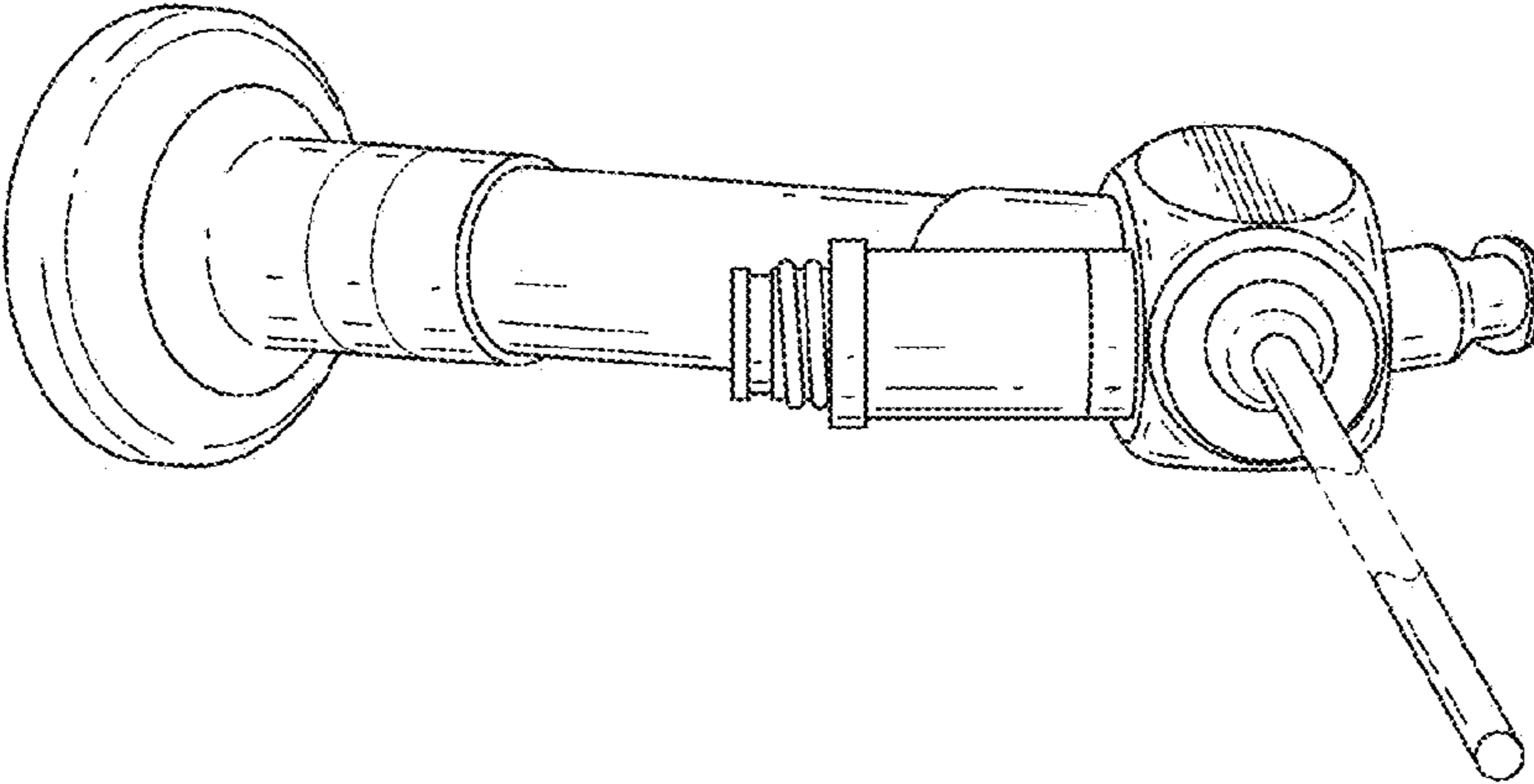


FIG.7