



US00D757261S

(12) **United States Design Patent**
Keckstein et al.

(10) **Patent No.:** **US D757,261 S**

(45) **Date of Patent:** **** May 24, 2016**

(54) **UTERINE MANIPULATOR**

(71) Applicant: **Karl Storz GmbH & Co. KG,**
Tuttlingen (DE)

(72) Inventors: **Joerg Keckstein,** Villach (AT); **Rainer Hermle,** Gosheim (DE); **Martin Hahn,** Altheim (DE)

(73) Assignee: **Karl Storz GmbH & Co. KG,**
Tuttlingen (DE)

(**) Term: **14 Years**

(21) Appl. No.: **29/487,064**

(22) Filed: **Apr. 4, 2014**

(30) **Foreign Application Priority Data**

Oct. 4, 2013 (EM) 002320242

(51) **LOC (10) Cl.** **24-02**

(52) **U.S. Cl.**
USPC **D24/133; D24/141; D24/147**

(58) **Field of Classification Search**
USPC D24/108, 112, 127, 133, 135, 141, 143,
D24/147; 600/37, 106, 202, 204, 219, 220,
600/222, 591; 606/119, 147, 193; 128/834
See application file for complete search history.

(56) **References Cited**

U.S. PATENT DOCUMENTS

5,382,252	A	1/1995	Failla et al.
5,409,496	A	4/1995	Rowden et al.
5,464,409	A	11/1995	Mohajer
5,487,377	A	1/1996	Smith et al.
5,520,698	A	5/1996	Koh
5,540,700	A	7/1996	Rowden et al.
5,643,285	A	7/1997	Rowden et al.
D421,497	S	3/2000	Wattiez
D536,446	S	2/2007	Doll et al.
7,175,634	B2	2/2007	Van Heerden
D628,694	S	12/2010	Donnez
D660,428	S	5/2012	Hohl

D667,550	S	9/2012	Keckstein	
8,298,213	B2 *	10/2012	Singh	606/1
8,475,469	B2 *	7/2013	Walter et al.	606/119
8,603,105	B2 *	12/2013	Sauer	606/119
8,663,239	B2 *	3/2014	Hess	606/119
8,814,789	B2 *	8/2014	Deitch et al.	600/220
D718,441	S *	11/2014	Carus et al.	D24/133
8,939,988	B2 *	1/2015	Auerbach et al.	606/119
9,011,433	B2 *	4/2015	Batchelor et al.	606/41
2001/0021854	A1	9/2001	Donnez et al.	
2007/0260265	A1 *	11/2007	Walter	606/119
2009/0131954	A1	5/2009	Christian et al.	
2010/0106163	A1	4/2010	Blair et al.	
2010/0280524	A1	11/2010	Lopez Zepeda	
2010/0305578	A1	12/2010	Auerbach et al.	
2012/0109146	A1 *	5/2012	Auerbach et al.	606/119
2012/0143210	A1 *	6/2012	Brecheen et al.	606/119
2012/0330324	A1 *	12/2012	Sauer	606/119
2013/0085508	A1 *	4/2013	Hess	606/119
2014/0257322	A1 *	9/2014	Batchelor et al.	606/119
2014/0303641	A1 *	10/2014	Boebel et al.	606/119
2015/0127016	A1 *	5/2015	Sauer	606/119

* cited by examiner

Primary Examiner — Ian Simmons

Assistant Examiner — Samantha Q Lawrence

(74) *Attorney, Agent, or Firm* — Whitmyer IP Group LLC

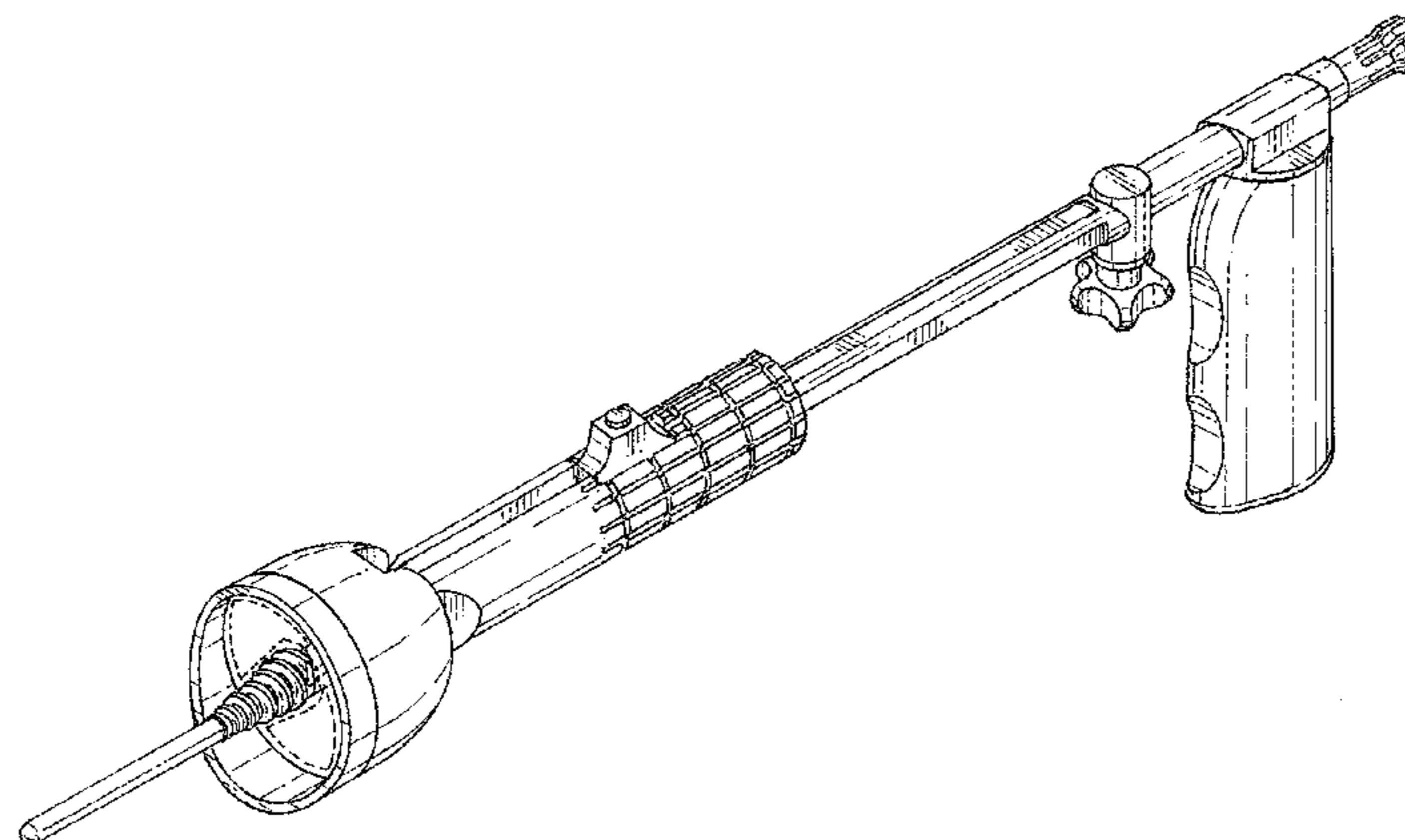
(57) **CLAIM**

The ornamental design for a uterine manipulator, as shown and described.

DESCRIPTION

FIG. 1 is a front left side isometric view of a uterine manipulator in accordance with the new design; FIG. 2 is a left side elevational view thereof; FIG. 3 is a right side elevational view thereof; FIG. 4 is a top plan view thereof; FIG. 5 is a bottom plan view thereof; FIG. 6 is a front elevational view thereof; and, FIG. 7 is a rear elevational view thereof. The broken lines shown in FIGS. 1-3 and 5-7 illustrate portions of the uterine manipulator that form no part of the claimed design.

1 Claim, 6 Drawing Sheets



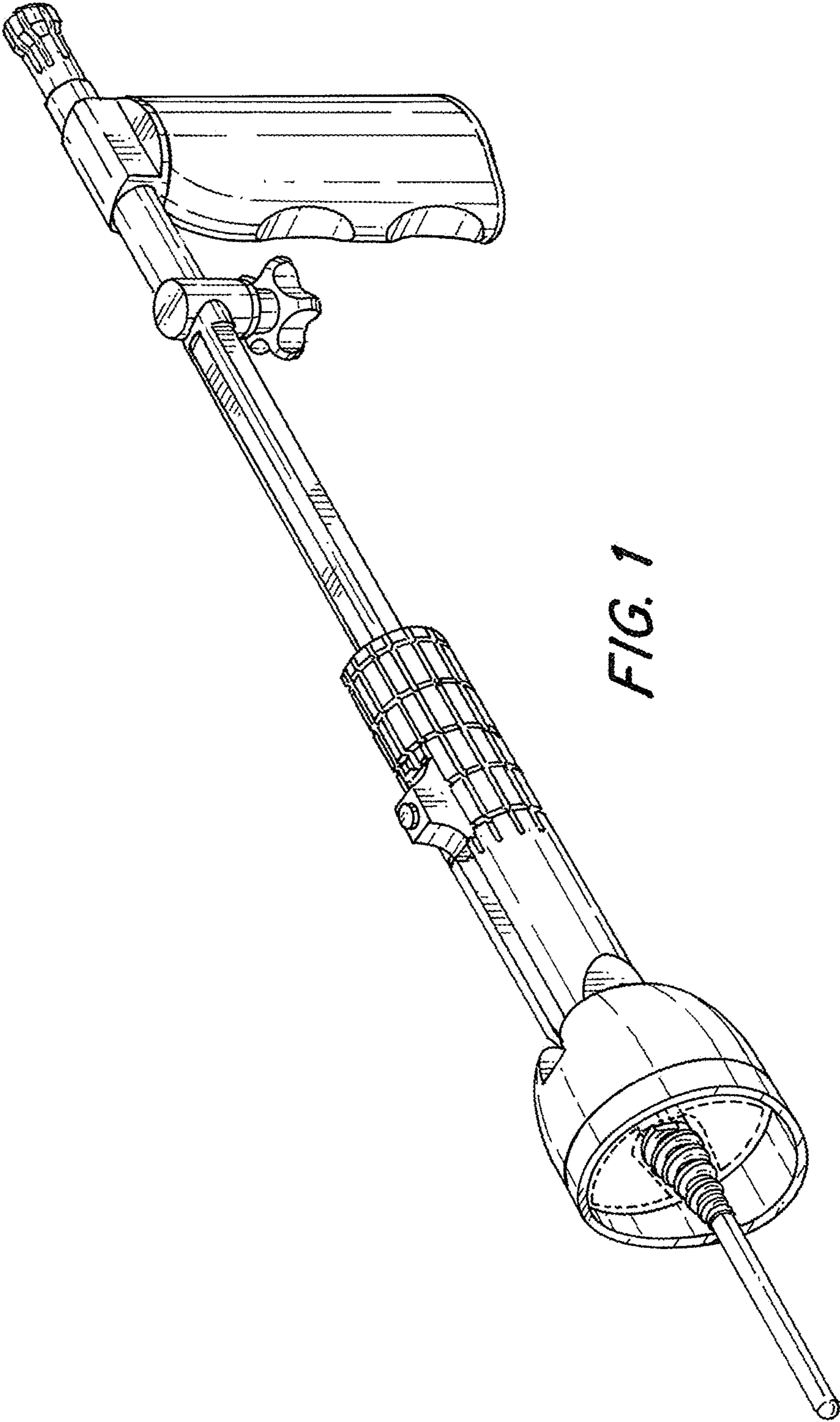


FIG. 1

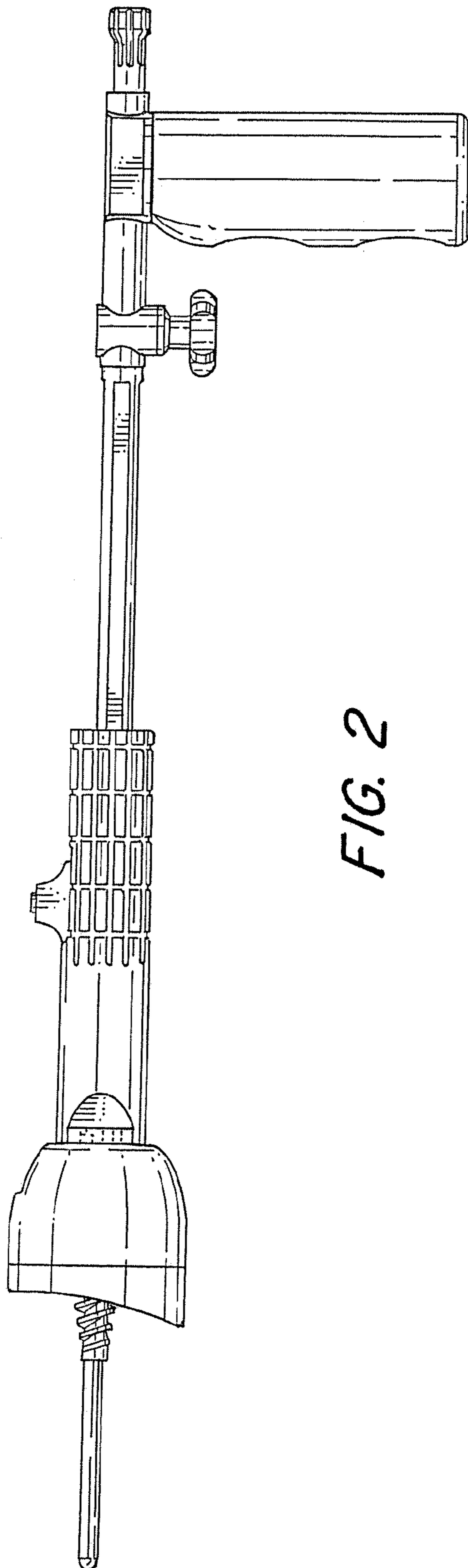


FIG. 2

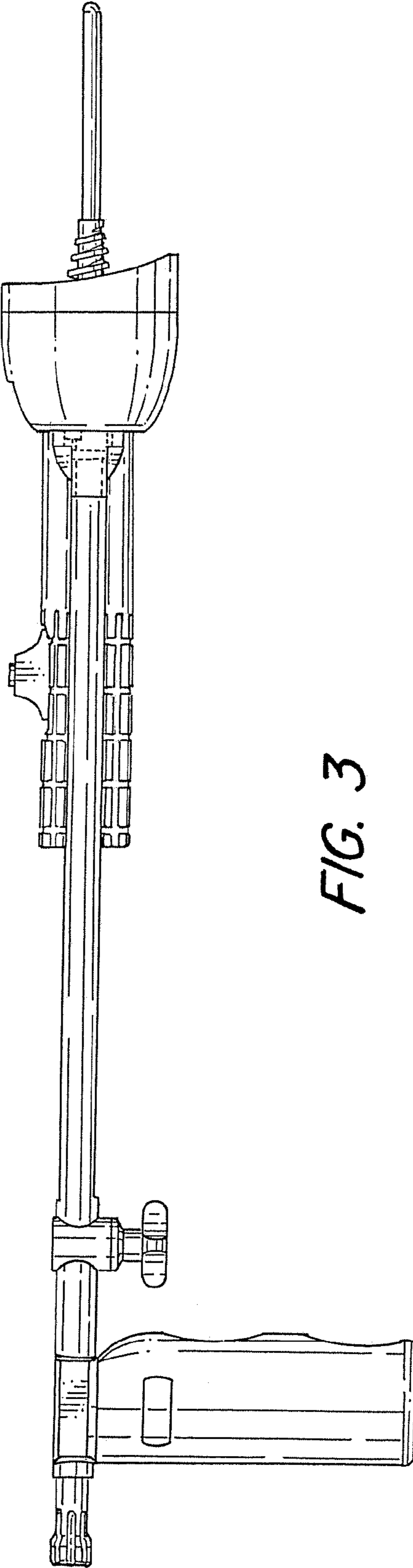


FIG. 3

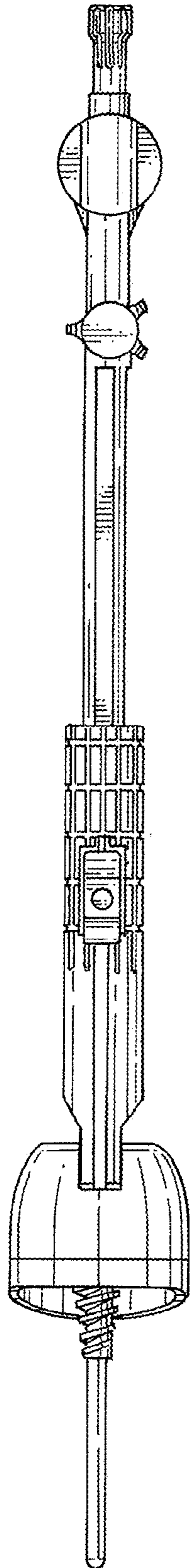


FIG. 4

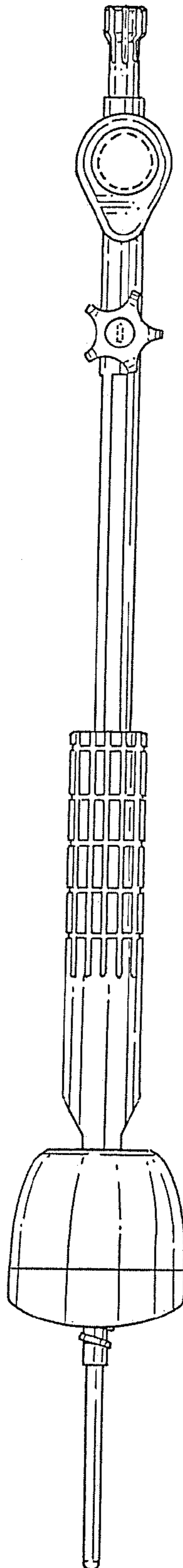


FIG. 5

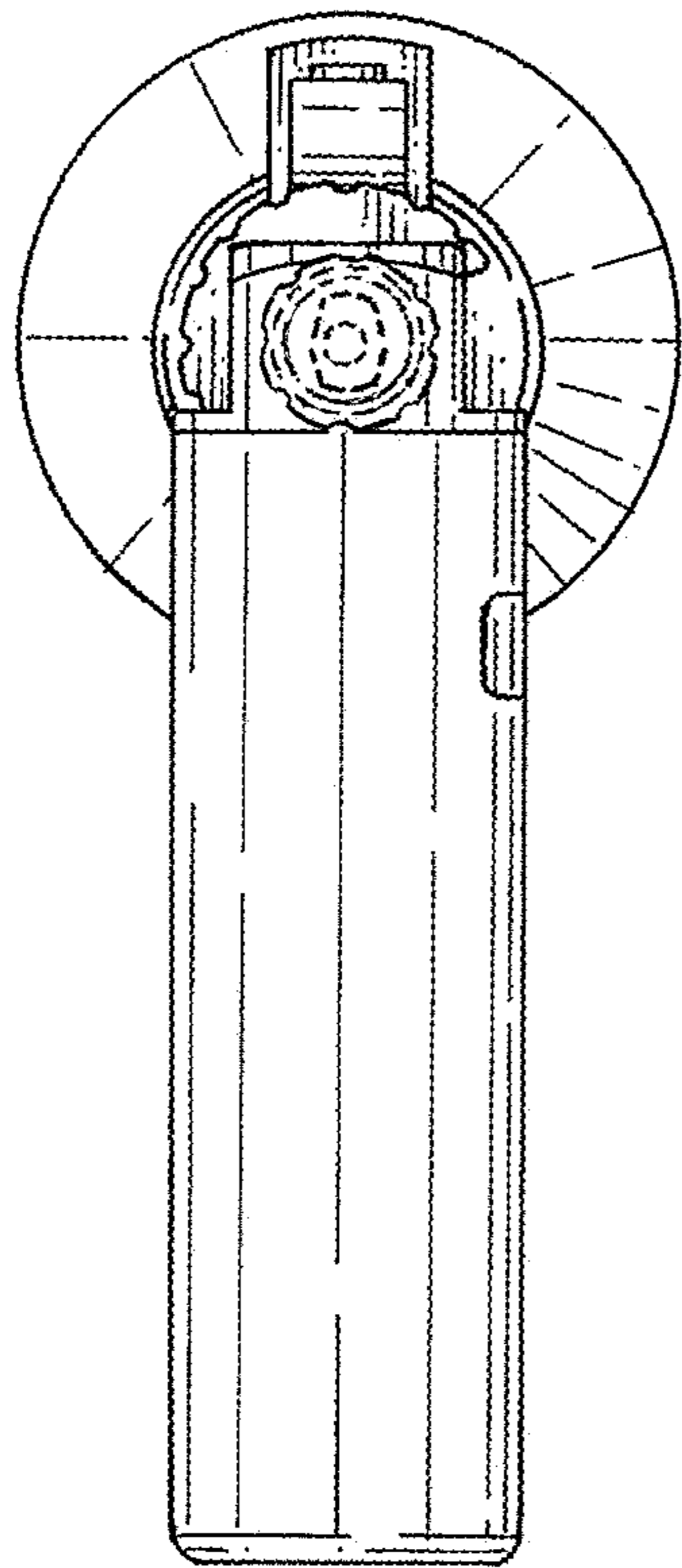


FIG. 7

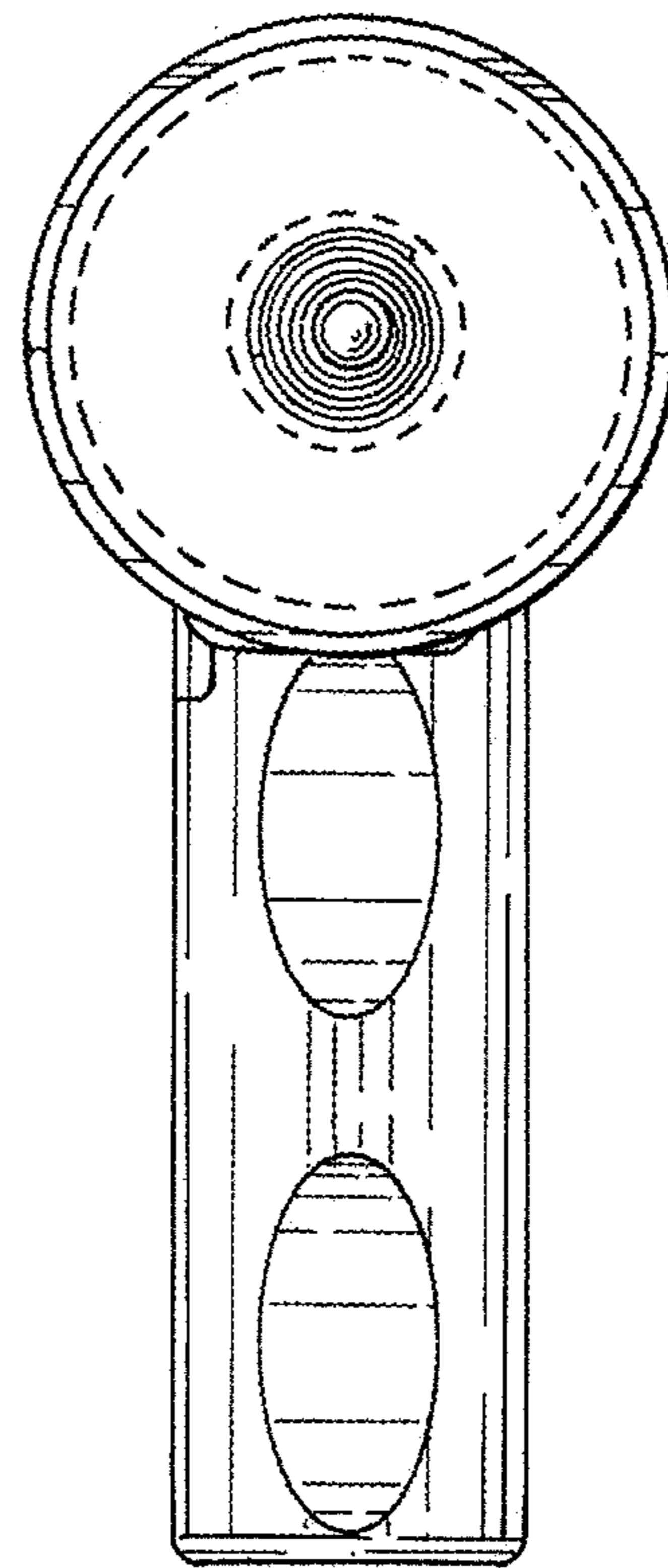


FIG. 6