

US00D757258S

(12) **United States Design Patent**
Weißhaupt et al.

(10) **Patent No.:** **US D757,258 S**
(45) **Date of Patent:** **** May 24, 2016**

(54) **CONTAINER SEAL**

(56) **References Cited**

(71) Applicant: **AESCULAP AG**, Tuttlingen (DE)
(72) Inventors: **Dieter Weißhaupt**, Tuttlingen (DE);
Andreas Elisch, Tuttlingen (DE); **Stefan Schuster**, Tuttlingen (DE); **Stefan Thomas**, Tuttlingen (DE); **Gerold Zieris**, Tuttlingen (DE)
(73) Assignee: **AESCULAP AG**, Tuttlingen (DE)
(**) Term: **14 Years**
(21) Appl. No.: **29/469,494**
(22) Filed: **Oct. 10, 2013**

U.S. PATENT DOCUMENTS

3,990,131	A	11/1976	Okamura	
5,651,652	A	7/1997	Williams et al.	
6,159,184	A *	12/2000	Perez et al.	604/192
D452,313	S *	12/2001	Niermann	D24/112
D614,296	S *	4/2010	Young	D24/130
D616,094	S *	5/2010	Boone et al.	D24/133
D627,880	S *	11/2010	Ellis et al.	D24/130
D629,510	S *	12/2010	Grunhut	D24/127
D685,467	S *	7/2013	Strong	D24/130
D722,156	S *	2/2015	Wiegel et al.	D24/112
2004/0104230	A1	6/2004	Lorenz et al.	
2005/0288625	A1 *	12/2005	Rossback et al.	604/93.01
2007/0270754	A1 *	11/2007	Soderholm et al.	604/164.08

(Continued)

(30) **Foreign Application Priority Data**

Apr. 11, 2013	(EM)	002218743-0001
Apr. 11, 2013	(EM)	002218743-0002
Apr. 11, 2013	(EM)	002218743-0003
Apr. 11, 2013	(EM)	002218743-0004
Apr. 11, 2013	(EM)	002218743-0005
Apr. 11, 2013	(EM)	002218743-0006
Apr. 11, 2013	(EM)	002218743-0007
Apr. 11, 2013	(EM)	002218743-0008
Apr. 11, 2013	(EM)	002218743-0009
Apr. 11, 2013	(EM)	002218743-0010
Apr. 11, 2013	(EM)	002218743-0011

FOREIGN PATENT DOCUMENTS

DE 601 01 044 T2 7/2004

Primary Examiner — David Muller
Assistant Examiner — Nathan Johnston
(74) *Attorney, Agent, or Firm* — Kenealy Vaidya LLP

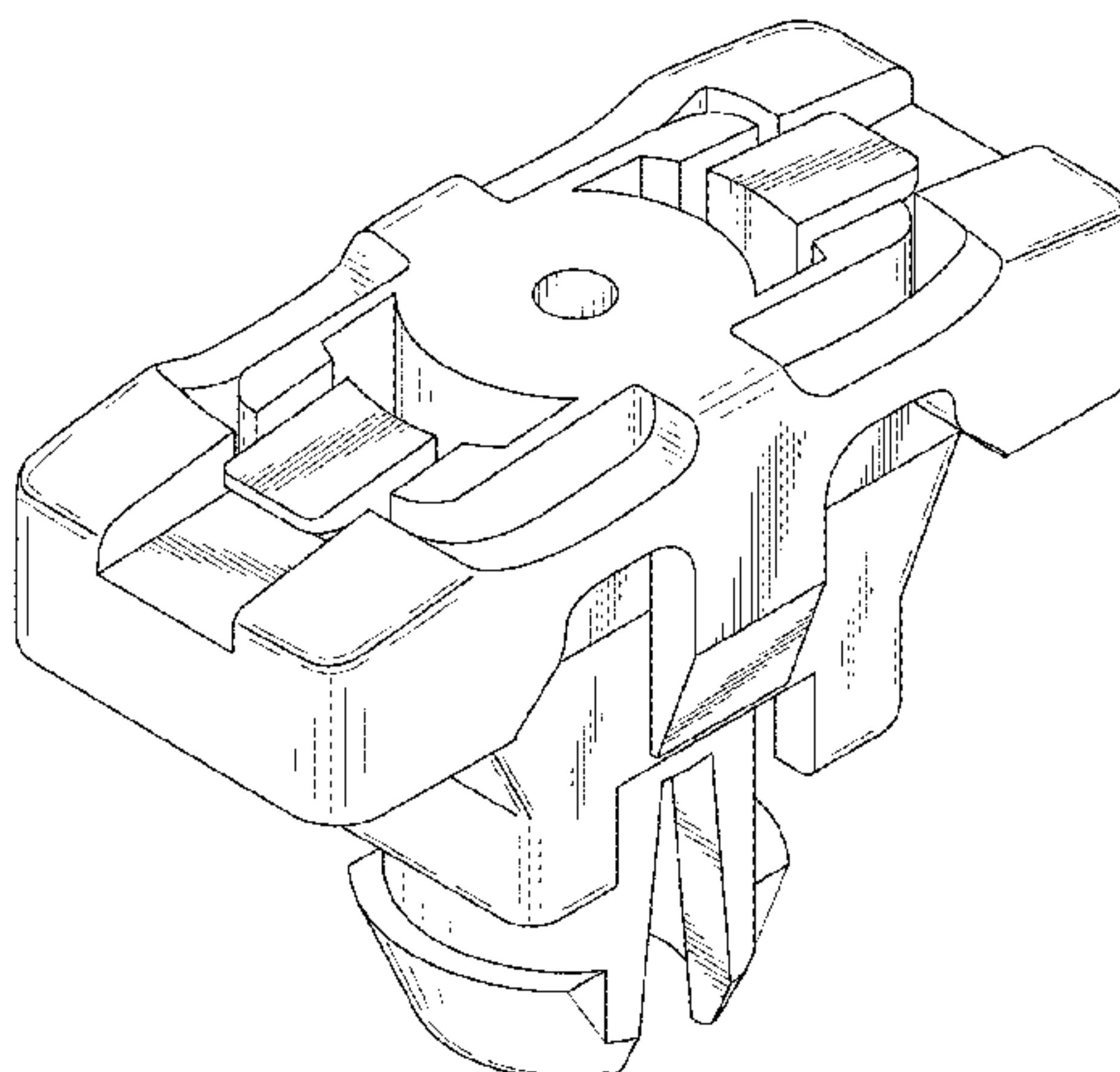
(51) **LOC (10) Cl.** **24-02**
(52) **U.S. Cl.**
USPC **D24/127**
(58) **Field of Classification Search**
USPC D24/127–131, 112–114, 133, 186, 181;
606/181, 185; 604/264, 272, 115, 232,
604/187, 158, 164.08, 192, 263, 163, 181,
604/184, 198, 227; 600/101, 139, 143;
128/200.24, 207.14, 207.15
CPC A61M 39/26; A61M 2205/583; A61M
2039/267; A61M 2039/262; A61J 2200/10
See application file for complete search history.

(57) **CLAIM**
The ornamental design for a container seal, as shown and described.

DESCRIPTION

FIG. 1 is a perspective view of a container seal showing our new design;
FIG. 2 is a first side view thereof;
FIG. 3 is a second side view thereof;
FIG. 4 is a first end view thereof;
FIG. 5 is a second end view thereof;
FIG. 6 is a top plan view thereof; and,
FIG. 7 is a bottom plan view thereof.
The broken lines shown in the figures represent portions of the container seal that form no part of the claimed design.

1 Claim, 5 Drawing Sheets



US D757,258 S

Page 2

(56)

References Cited

U.S. PATENT DOCUMENTS

2011/0253579	A1	10/2011	Chong et al.	
2014/0303556	A1*	10/2014	Travanty	604/111
2015/0014315	A1*	1/2015	Weisshaupt et al.	220/257.1
2008/0275406	A1*	11/2008	Smith	604/256

* cited by examiner

Fig. 1

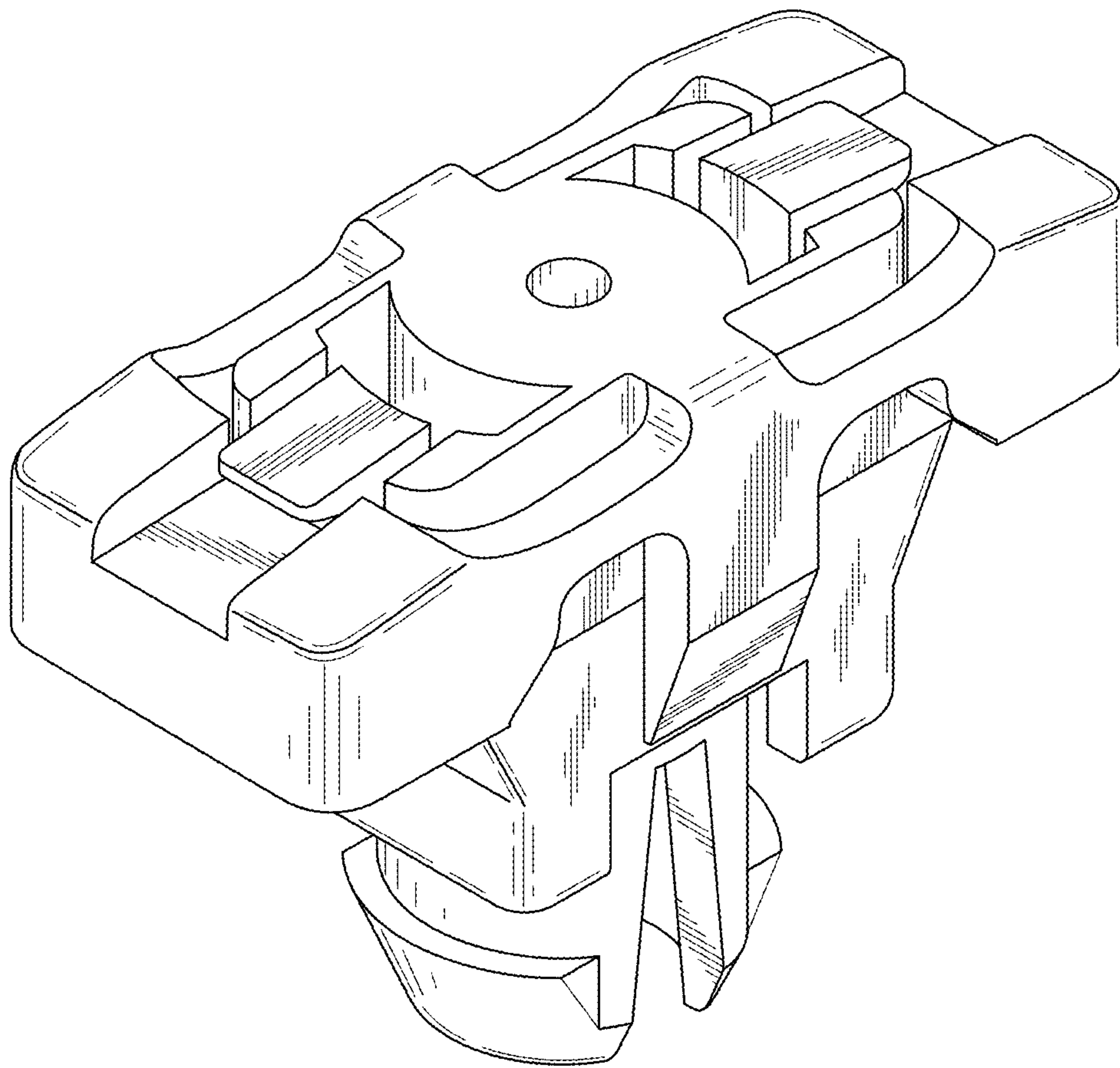


Fig. 2

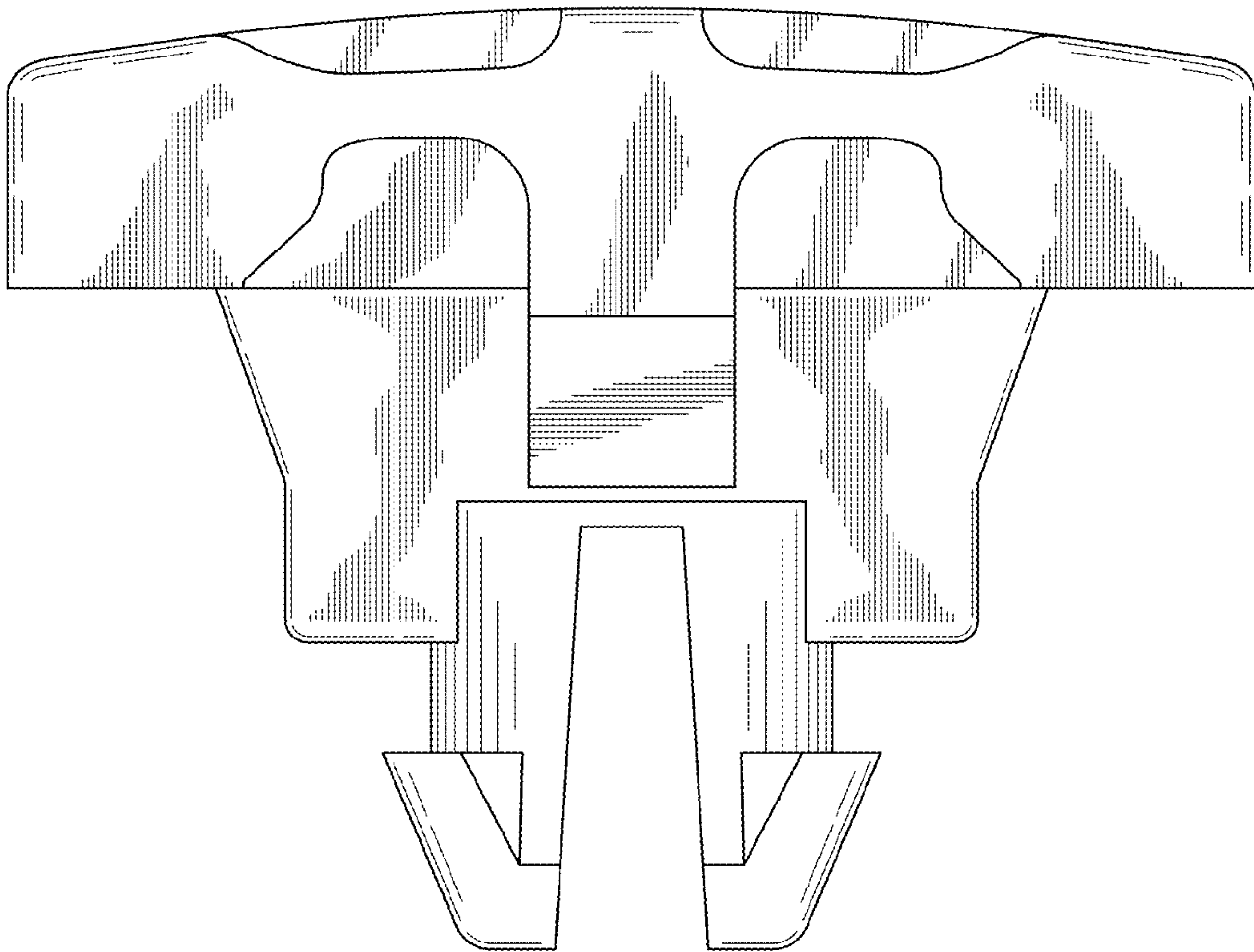


Fig. 3

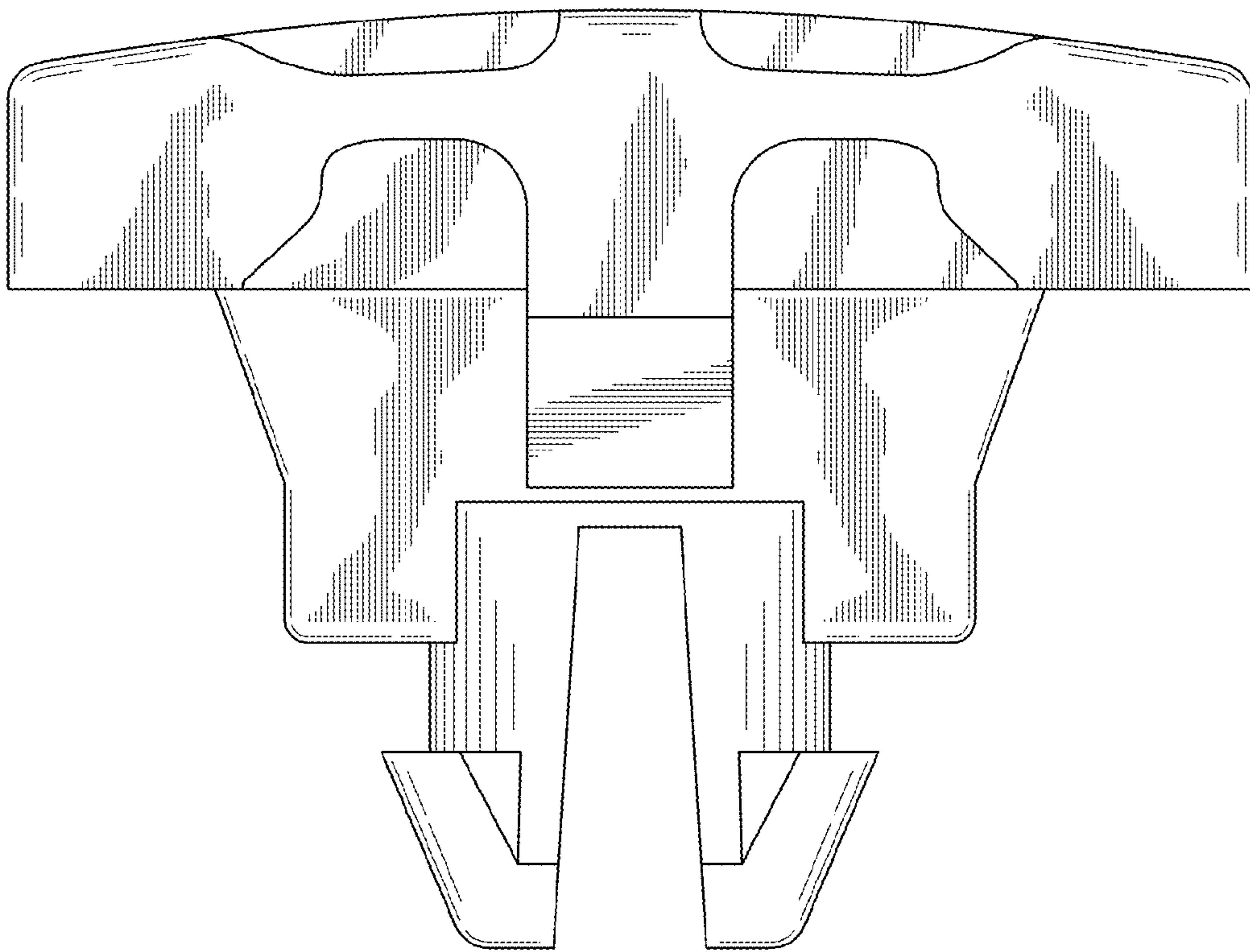


Fig. 4

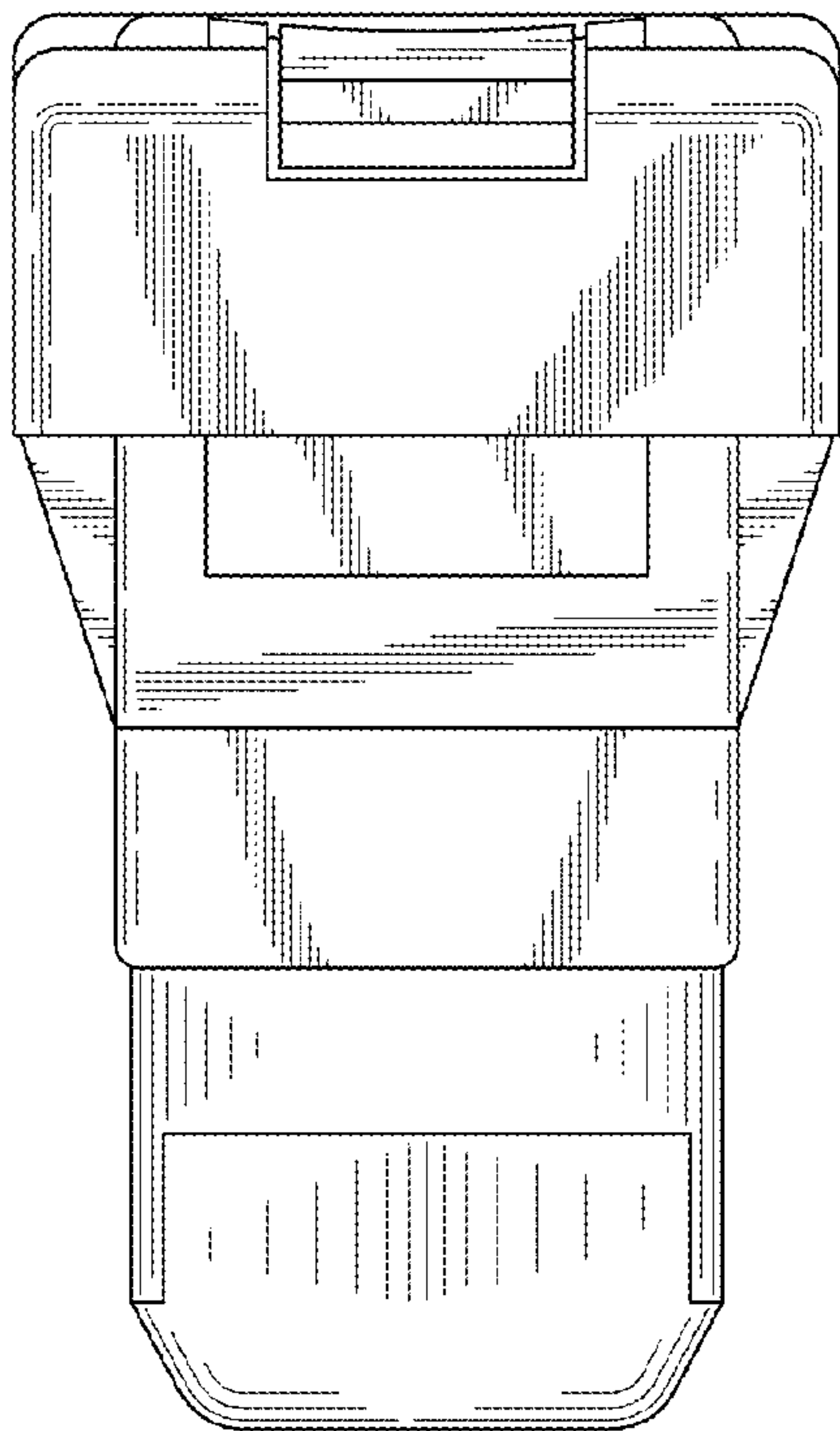


Fig. 5

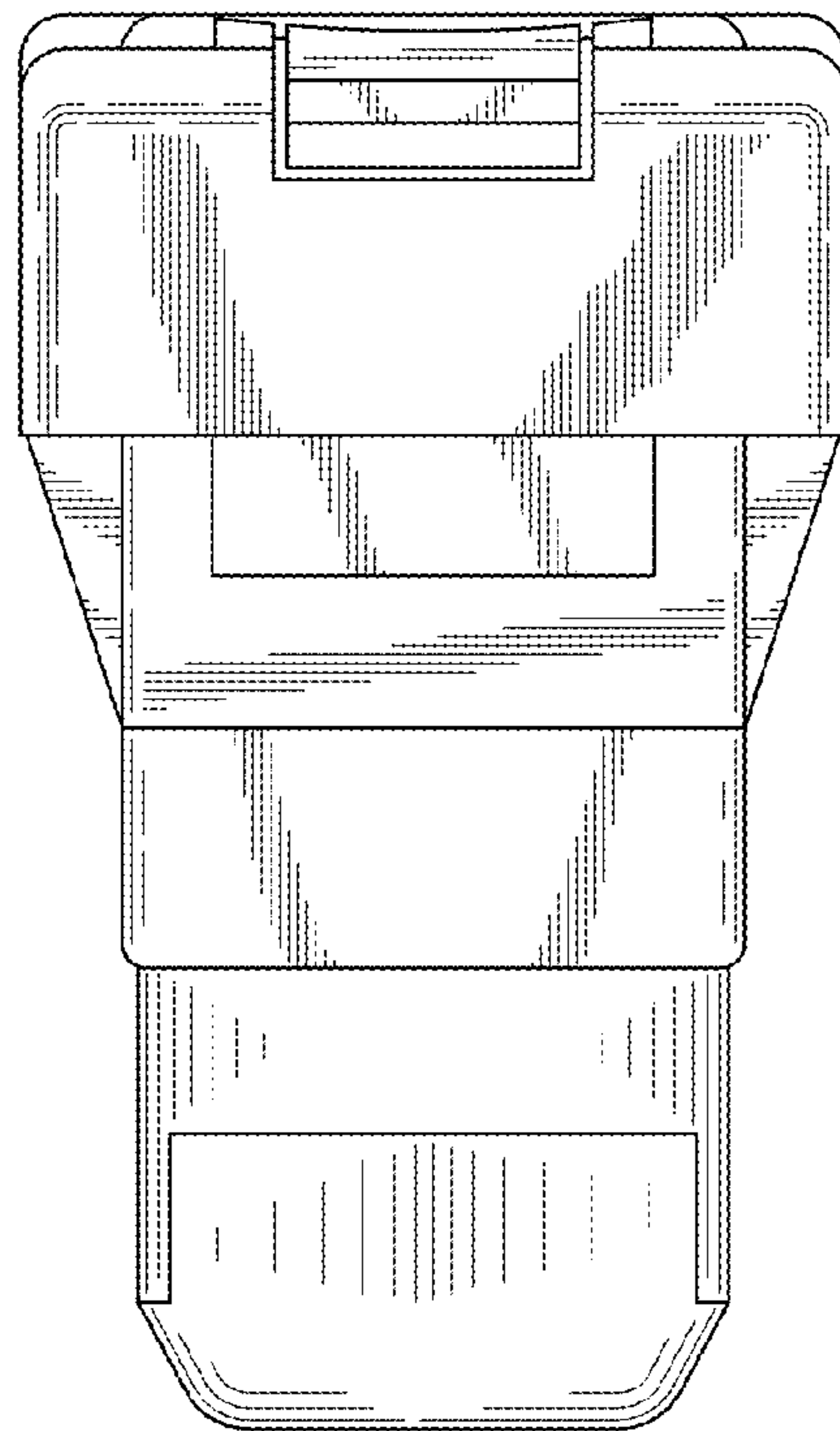


Fig. 6

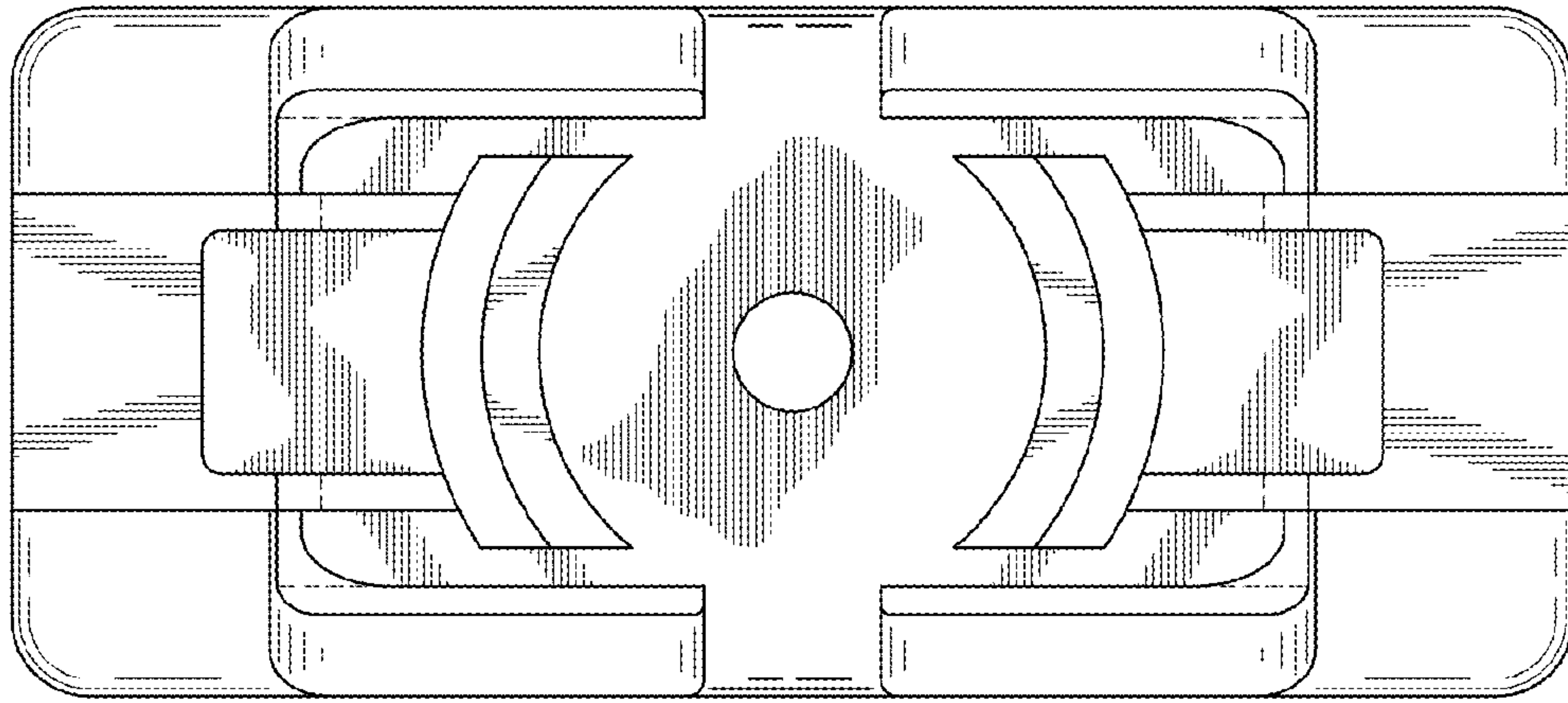


Fig. 7

