



US00D757256S

(12) **United States Design Patent**
Sarver et al.

(10) **Patent No.:** **US D757,256 S**
(45) **Date of Patent:** **** May 24, 2016**

- (54) **SAMPLER**
- (71) Applicant: **Neogen Corporation**, Lansing, MI (US)
- (72) Inventors: **Ronald Sarver**, Dexter, MI (US);
Kenneth Kodilla, Dimondale, MI (US);
Christopher Eakin, Laingsburg, MI (US);
Phillip McKinney, Dewitt, MI (US);
Nathaniel Banner, Lansing, MI (US);
Emma Settington, Lansing, MI (US)
- (73) Assignee: **NEOGEN CORPORATION**, Lansing, MI (US)
- (**) Term: **14 Years**
- (21) Appl. No.: **29/449,626**
- (22) Filed: **Mar. 15, 2013**
- (51) **LOC (10) Cl.** **24-02**
- (52) **U.S. Cl.**
USPC **D24/119**
- (58) **Field of Classification Search**
USPC D24/112-114, 133, 186, 104, 130, 127,
D24/119; 606/181, 185; 604/264, 272, 115,
604/232, 187, 158, 164.08, 192, 263, 163,
604/181, 184, 198, 227
CPC G01N 1/28
See application file for complete search history.

- 6,548,018 B2 4/2003 DiCesare et al.
- 6,653,147 B2 11/2003 DiCesare
- 6,881,554 B2 4/2005 DiCesare et al.
- 6,887,681 B2 5/2005 DiCesare et al.
- 7,060,223 B2 6/2006 DiCesare et al.
- 7,485,262 B2 2/2009 DiCesare et al.

(Continued)

OTHER PUBLICATIONS

AccuPoint 2 Sanitation Monitoring System, Product Brochure, Neogen Corporation, Dec. 21, 2010.

Primary Examiner — David Muller

Assistant Examiner — Nathan Johnston

(74) *Attorney, Agent, or Firm* — Honigman Miller Schwartz and Cohn LLP; Douglas H. Siegel; Jonathan P. O'Brien

(57) **CLAIM**

We claim the ornamental design for a sampler, as shown and described.

DESCRIPTION

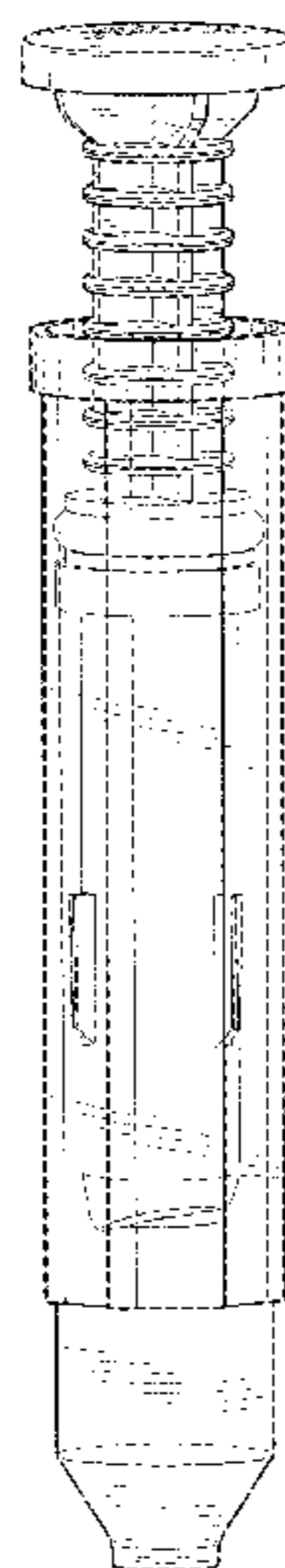
FIG. 1 is a perspective view of sampler, embodying my new design.
 FIG. 2 is a front elevation view thereof.
 FIG. 3 is a back elevation view thereof.
 FIG. 4 is a right elevation view thereof.
 FIG. 5 is a left elevation view thereof.
 FIG. 6 is a top plan view thereof.
 FIG. 7 is a bottom plan view thereof.
 FIG. 8 is a perspective view of the sampler in an alternate configuration of use.
 FIG. 9 is a front elevation view thereof.
 FIG. 10 is a back elevation view thereof.
 FIG. 11 is a right elevation view thereof.
 FIG. 12 is a left elevation view thereof.
 FIG. 13 is a top plan view thereof; and,
 FIG. 14 is a bottom plan view thereof.
 The broken lines are shown for environmental purposes only and form no part of the claimed design.

(56) **References Cited**

U.S. PATENT DOCUMENTS

- D287,877 S * 1/1987 Holewinski et al. D24/114
- D378,406 S * 3/1997 Kugler D24/114
- D401,324 S * 11/1998 Hjertman et al. D24/114
- D401,325 S * 11/1998 Hjertman et al. D24/114
- D419,236 S * 1/2000 Carlson et al. D24/114
- D419,671 S * 1/2000 Jansen D24/112
- D421,121 S * 2/2000 Prasad et al. D24/114
- D445,176 S * 7/2001 Landers D24/114
- 6,541,194 B2 4/2003 DiCesare

1 Claim, 8 Drawing Sheets



(56)

References Cited

U.S. PATENT DOCUMENTS

D588,693	S *	3/2009	Strong et al.	D24/129	D649,405	S *	11/2011	Lingo	D7/523
D610,678	S *	2/2010	Kawamura	D24/114	D657,462	S *	4/2012	Siroky	D24/130
D618,347	S *	6/2010	Bradshaw	D24/141	D657,867	S *	4/2012	Effenberger	D24/114
D624,174	S *	9/2010	Omori et al.	D24/108	D667,530	S *	9/2012	Wyne	D23/213
D635,248	S *	3/2011	Coale	D24/114	D677,789	S *	3/2013	Row et al.	D24/129
7,901,363	B2 *	3/2011	Duchon et al.	600/583	D690,806	S *	10/2013	Nakayama et al.	D24/130
D645,958	S *	9/2011	Assmann et al.	D24/113	D692,308	S *	10/2013	Baker	D9/548
					D698,918	S *	2/2014	Leiner et al.	D24/114
					2008/0119794	A1 *	5/2008	Alheidt et al.	604/181

* cited by examiner

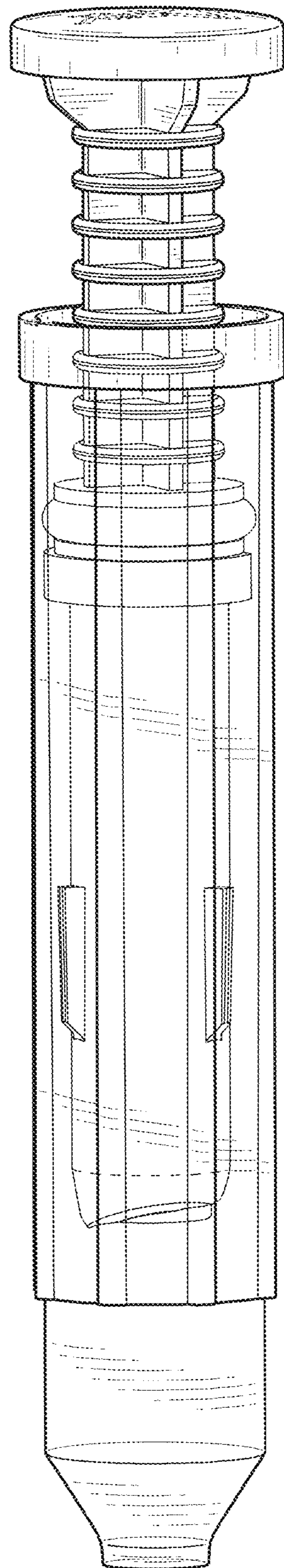


FIG. 1

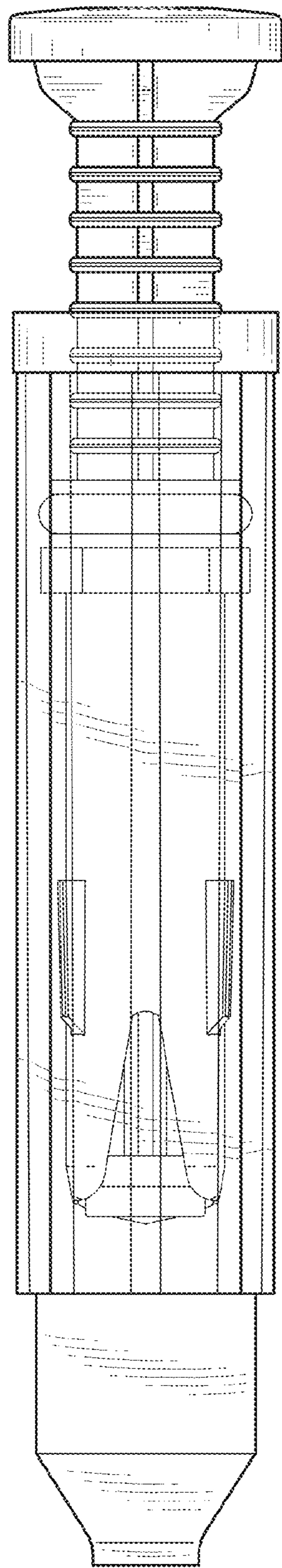


FIG. 2

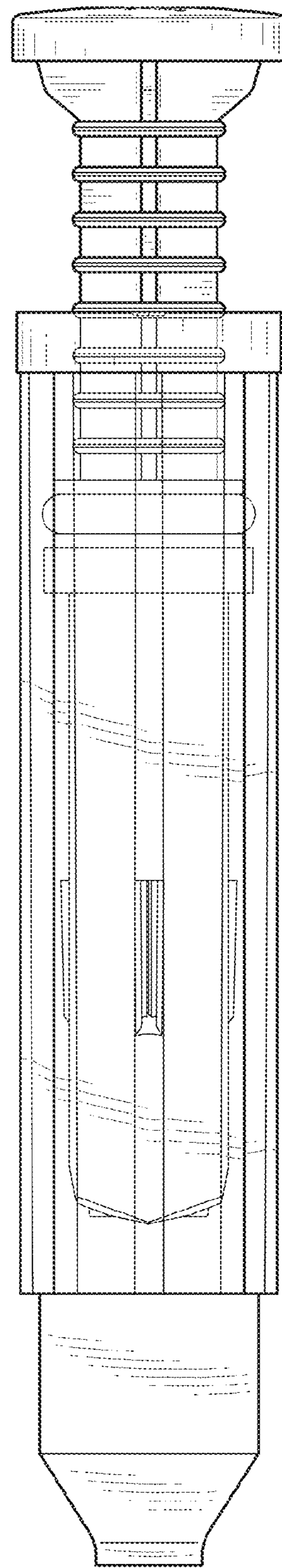


FIG. 3

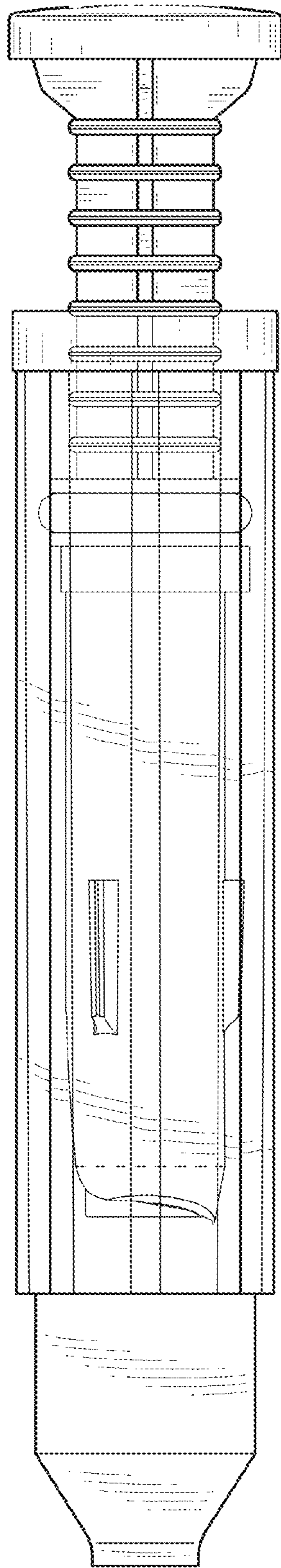


FIG. 4

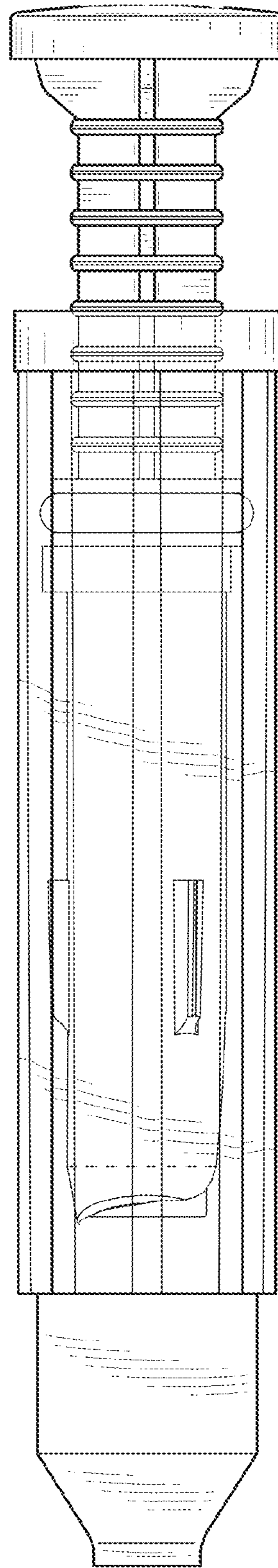


FIG. 5

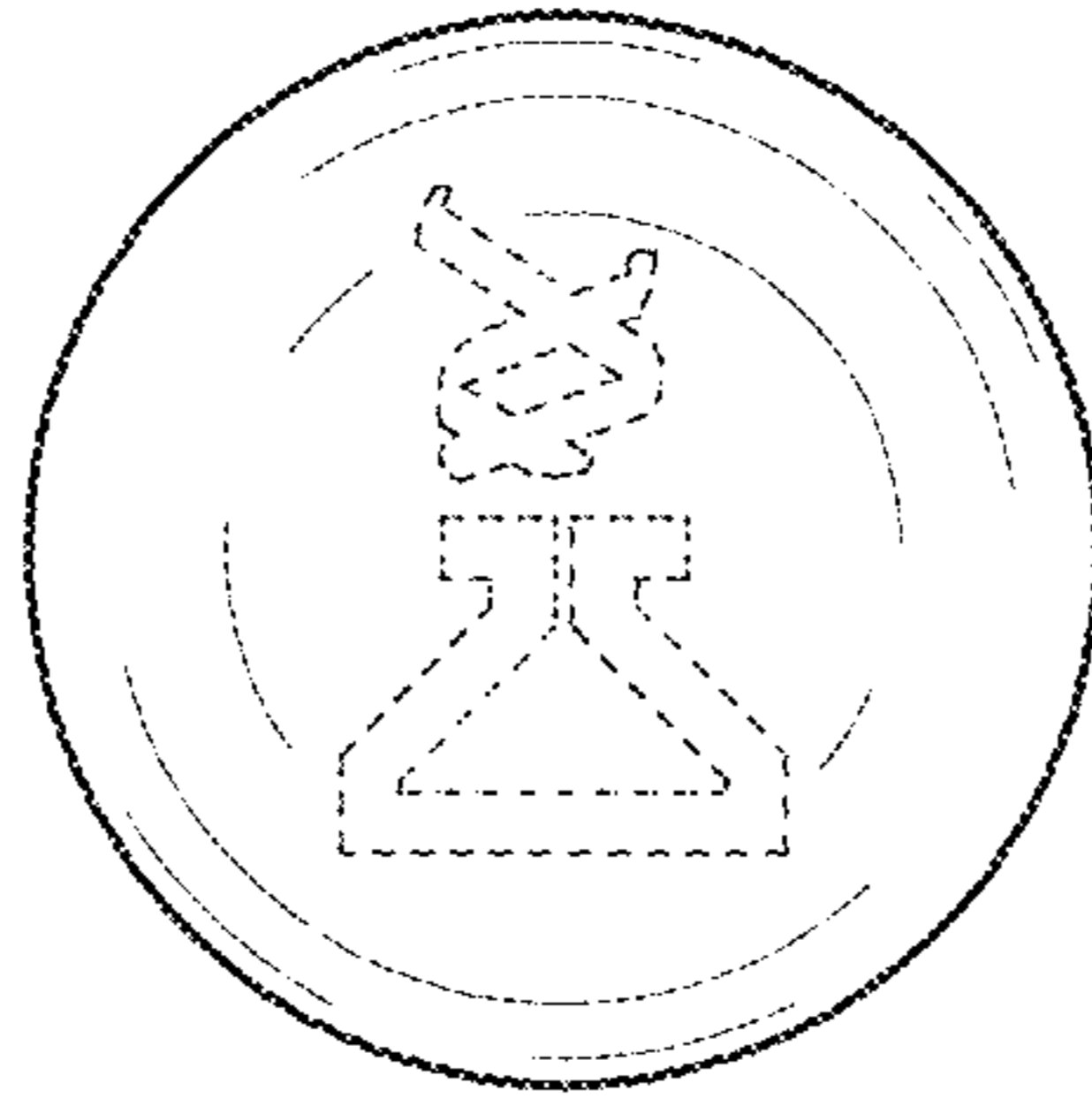


FIG. 6

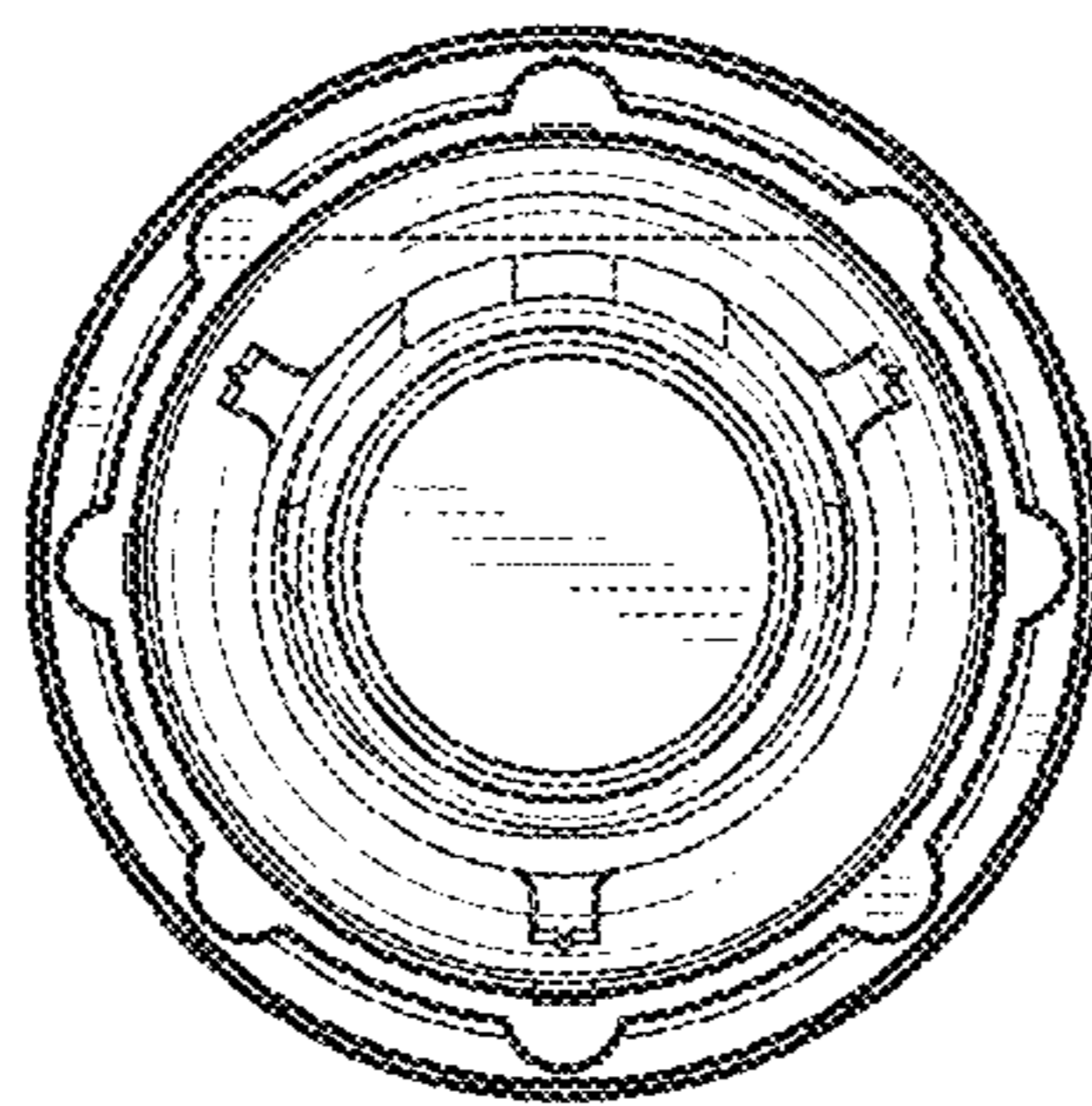


FIG. 7

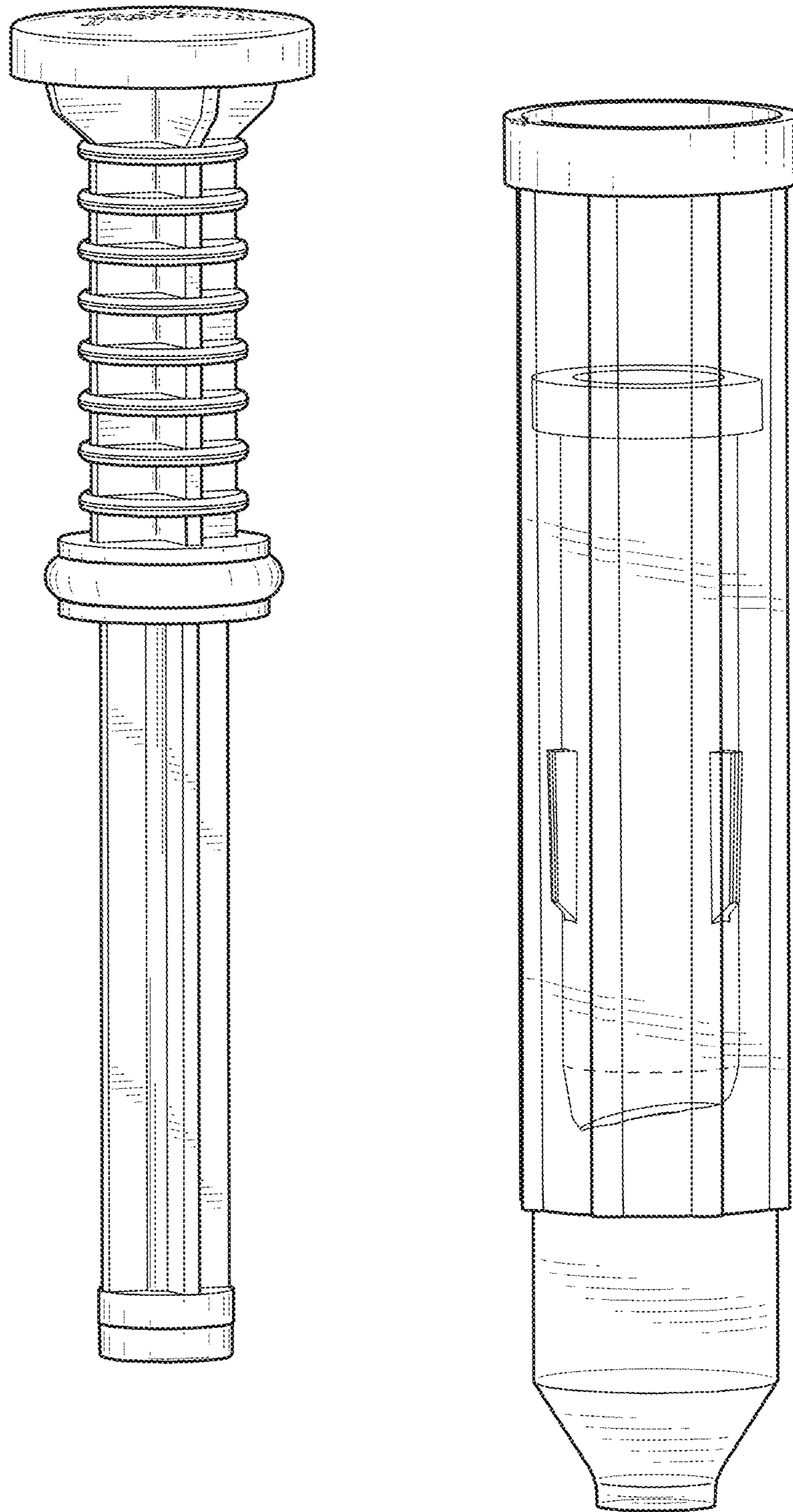


FIG. 8

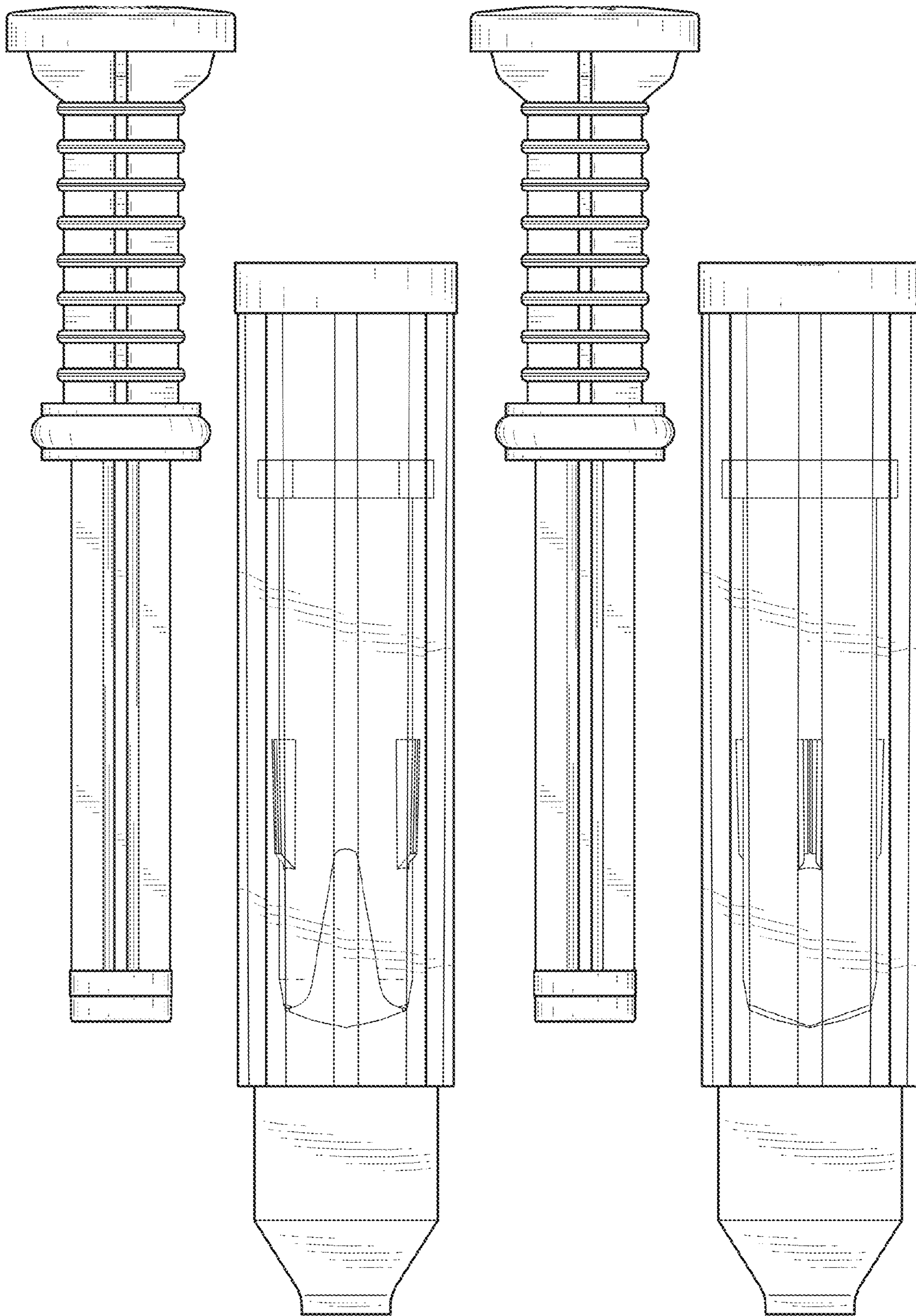


FIG. 9

FIG. 10

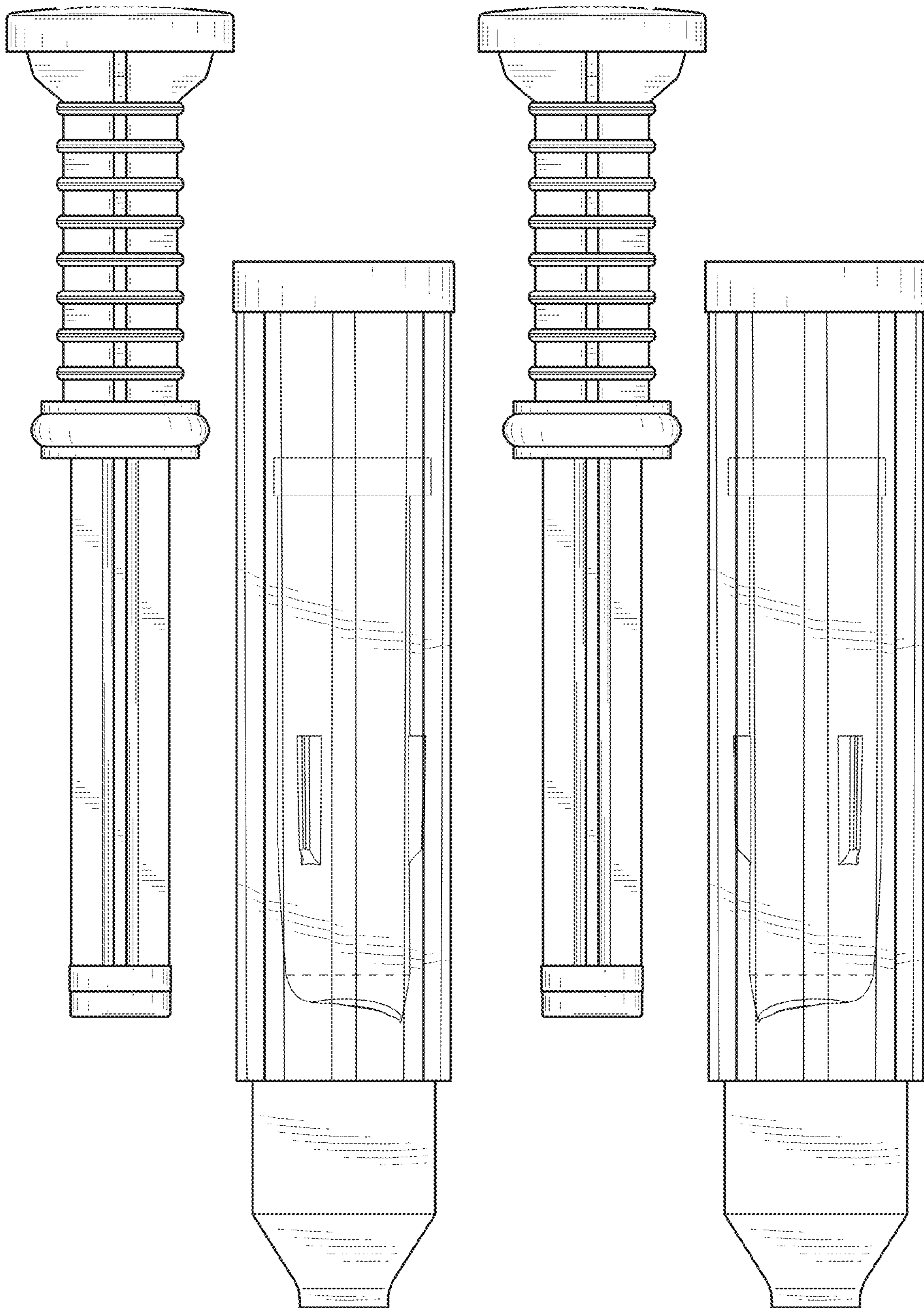


FIG. 11

FIG. 12

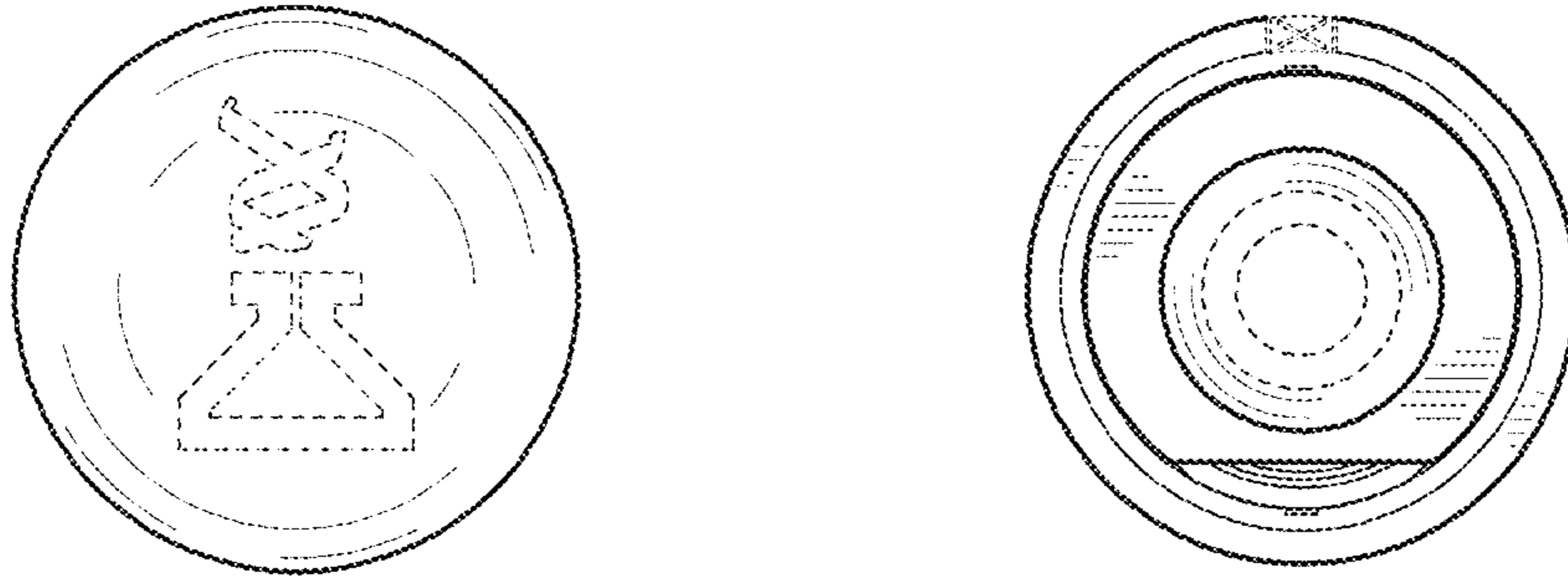


FIG. 13

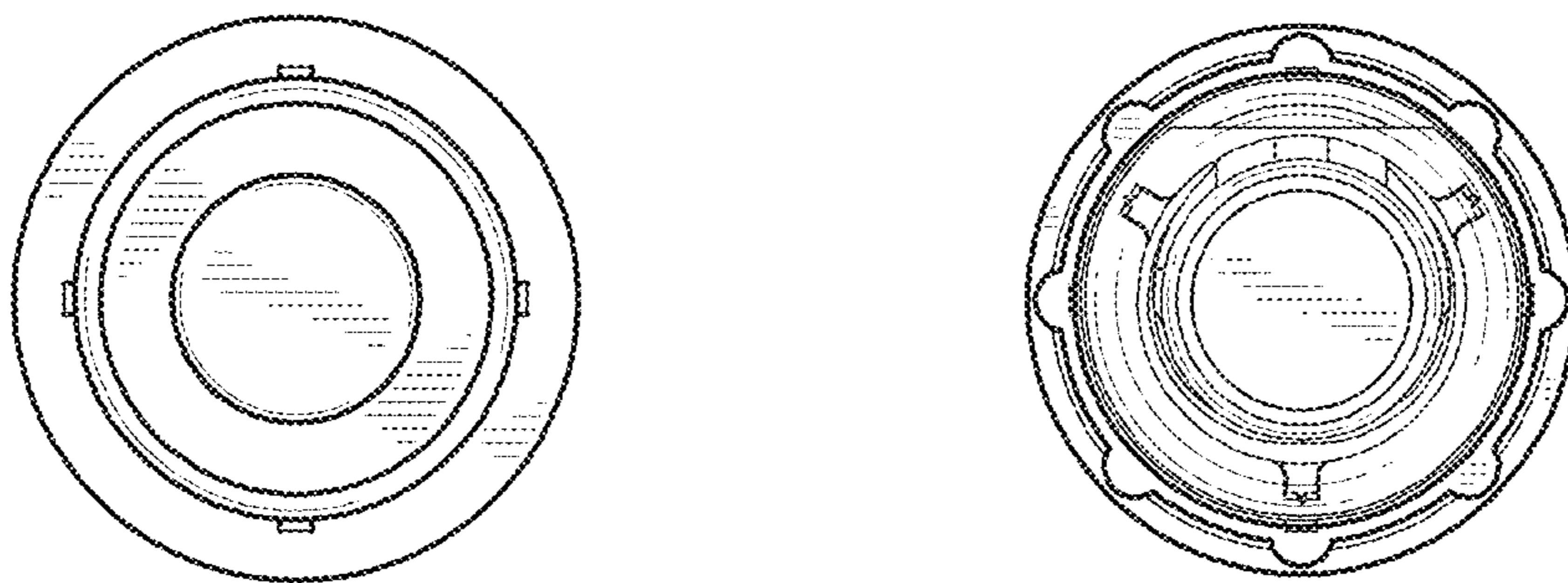


FIG. 14