



US00D757255S

(12) **United States Design Patent**  
**Wohlfahrt et al.**

(10) **Patent No.:** **US D757,255 S**  
(45) **Date of Patent:** **\*\* May 24, 2016**

(54) **AUTOINJECTOR HOUSING**

(71) Applicant: **Sanofi-Aventis Deutschland GmbH**,  
Frankfurt (DE)

(72) Inventors: **Tobias Wohlfahrt**, Munich (DE);  
**Christian Rogge**, Munich (DE)

(73) Assignee: **Sanofi-Aventis Deutschland GMBH**,  
Frankfurt am Main (DE)

(\*\*) Term: **14 Years**

(21) Appl. No.: **29/520,152**

(22) Filed: **Mar. 11, 2015**

(30) **Foreign Application Priority Data**

Jan. 7, 2015 (EM) ..... 002609784-0013  
Jan. 7, 2015 (EM) ..... 002609784-0016

(51) **LOC (10) Cl.** ..... **24-02**

(52) **U.S. Cl.**  
USPC ..... **D24/113**

(58) **Field of Classification Search**  
USPC ..... D24/112-114, 108, 133, 130, 127, 186;  
606/181, 185; 604/264, 272, 187, 181,  
604/184, 227  
CPC ..... A61M 5/178; A61M 3/00; A61M 5/20;  
A61M 5/31; A61M 5/3146; A61M 5/3129;  
A61M 5/3148; A61M 5/315  
See application file for complete search history.

(56) **References Cited**

**U.S. PATENT DOCUMENTS**

D687,543 S \* 8/2013 Pala ..... D24/113  
D696,773 S \* 12/2013 Schneider ..... D24/113  
D696,774 S \* 12/2013 Guarraia ..... D24/113

D697,205 S \* 1/2014 Schneider ..... D24/113  
D708,317 S \* 7/2014 Schneider ..... D24/113  
D714,932 S \* 10/2014 Hall ..... D24/112  
D728,782 S \* 5/2015 Dubuc ..... D24/113  
D732,161 S \* 6/2015 Ohashi ..... D24/113  
D732,661 S \* 6/2015 Dubuc ..... D24/113  
D737,430 S \* 8/2015 Wargner ..... D24/112  
D739,011 S \* 9/2015 Morrison, Jr. .... D24/114  
D743,539 S \* 11/2015 Chung ..... D24/113  
D745,664 S \* 12/2015 Pocock ..... D24/112

**OTHER PUBLICATIONS**

Examination Report in NZ Application No. 420861, dated Nov. 10, 2015, 2 pages.  
Screenshots relating to "Auto Injector citations by SHL Group," publically visible from Dec. 30, 2014, 4 pages.

\* cited by examiner

*Primary Examiner* — David Muller

(74) *Attorney, Agent, or Firm* — Fish & Richardson P.C.

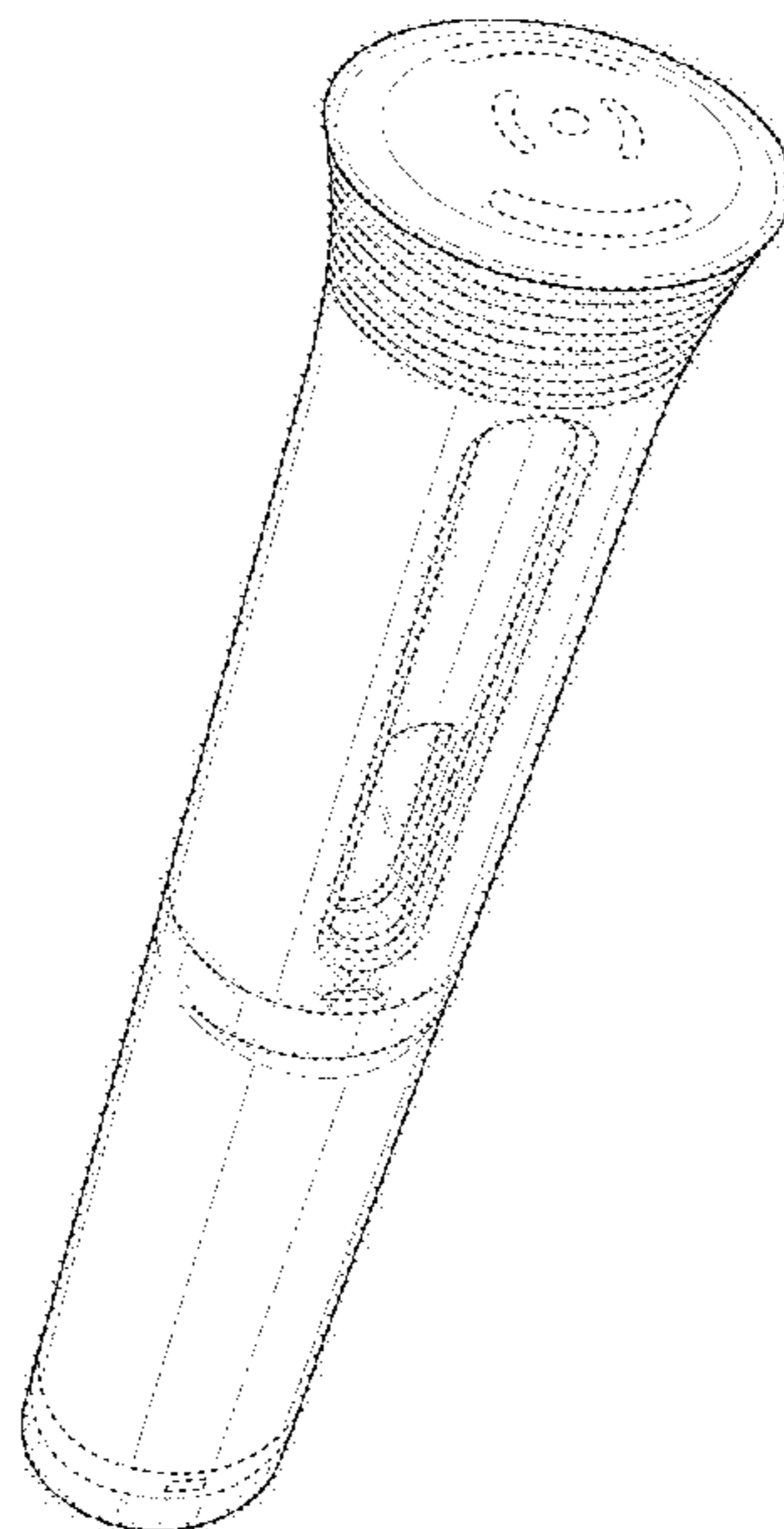
(57) **CLAIM**

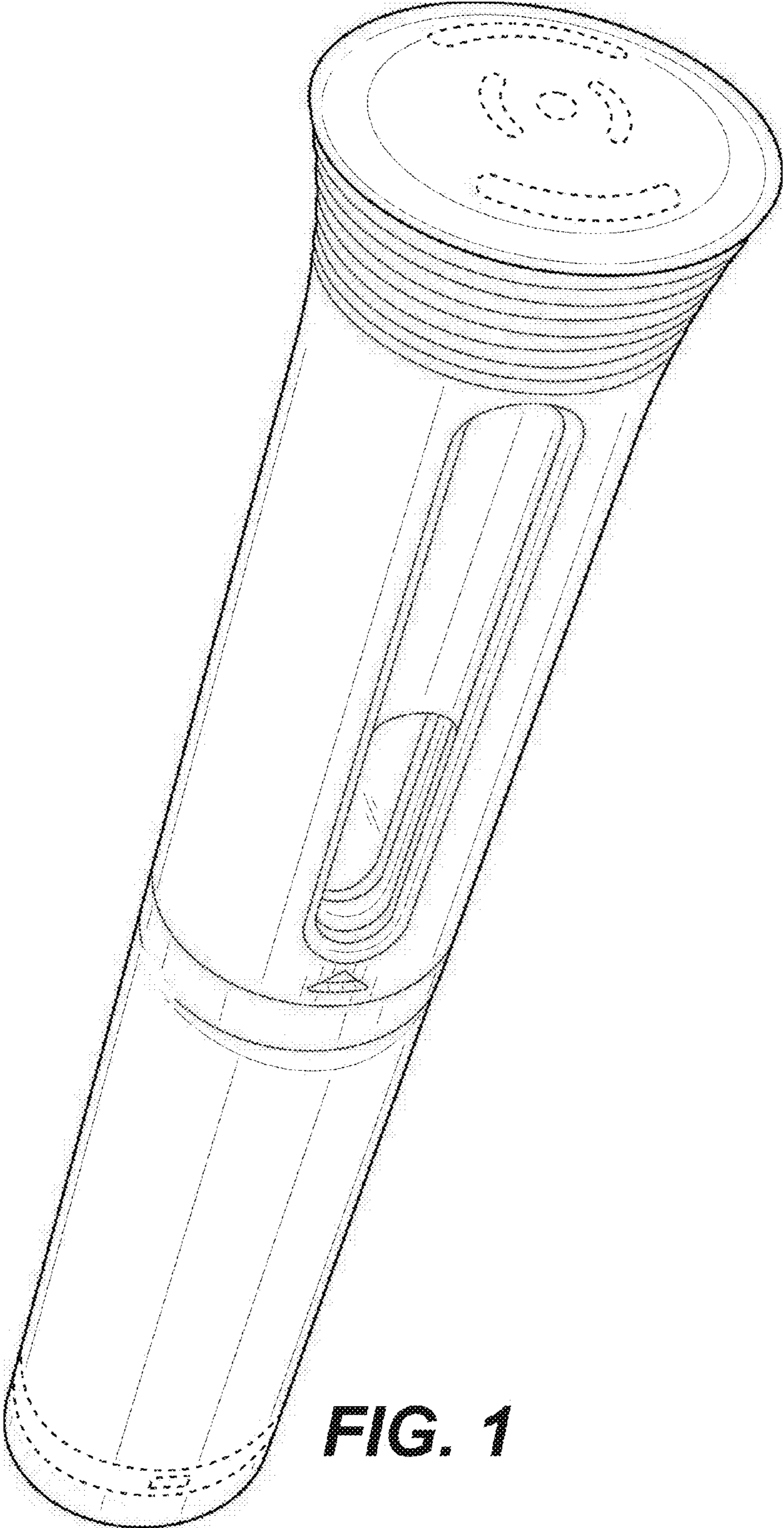
The ornamental design for an autoinjector housing, as shown and described.

**DESCRIPTION**

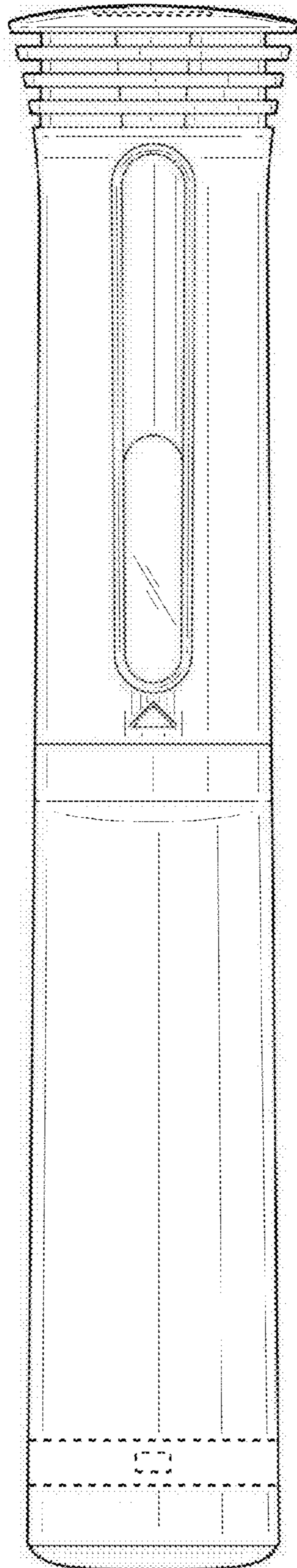
FIG. 1 is a front top left perspective view of an autoinjector housing showing our new design;  
FIG. 2 is a front elevation view thereof;  
FIG. 3 is a rear elevation view thereof;  
FIG. 4 is a left side elevation view thereof;  
FIG. 5 is a right side elevation view thereof;  
FIG. 6 is a top plan view thereof; and,  
FIG. 7 is a bottom plan view thereof.  
The broken lines of even length shown in the drawings illustrate portions of the autoinjector housing that forms no part of the claimed design.

**1 Claim, 4 Drawing Sheets**

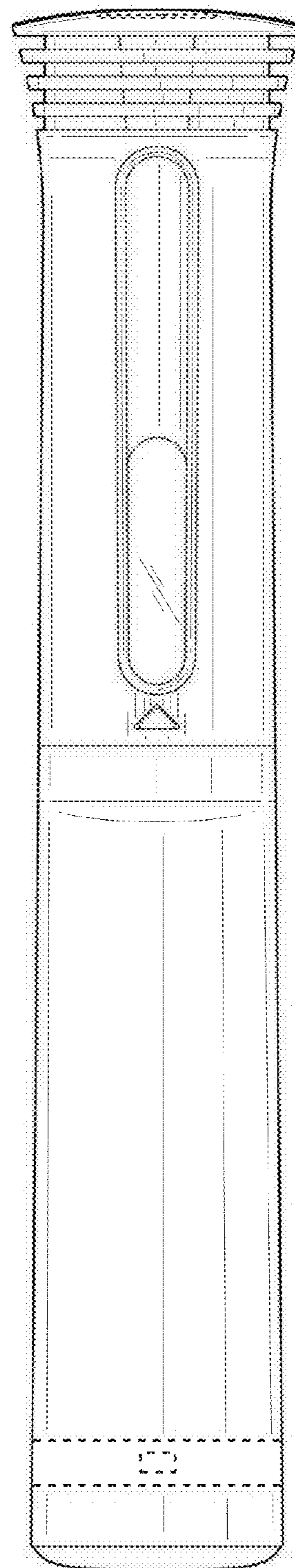




**FIG. 1**

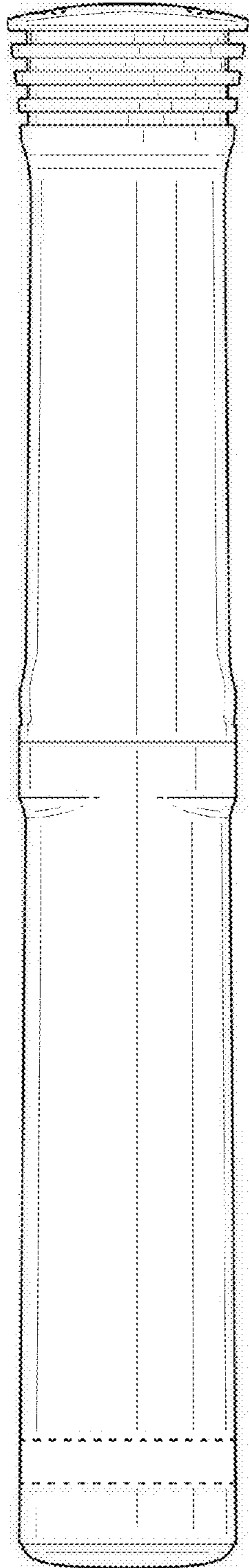


**FIG. 2**

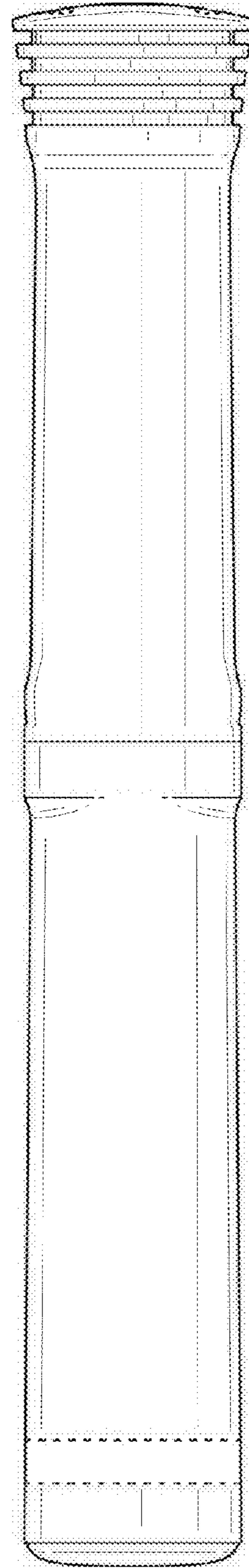


**FIG. 3**

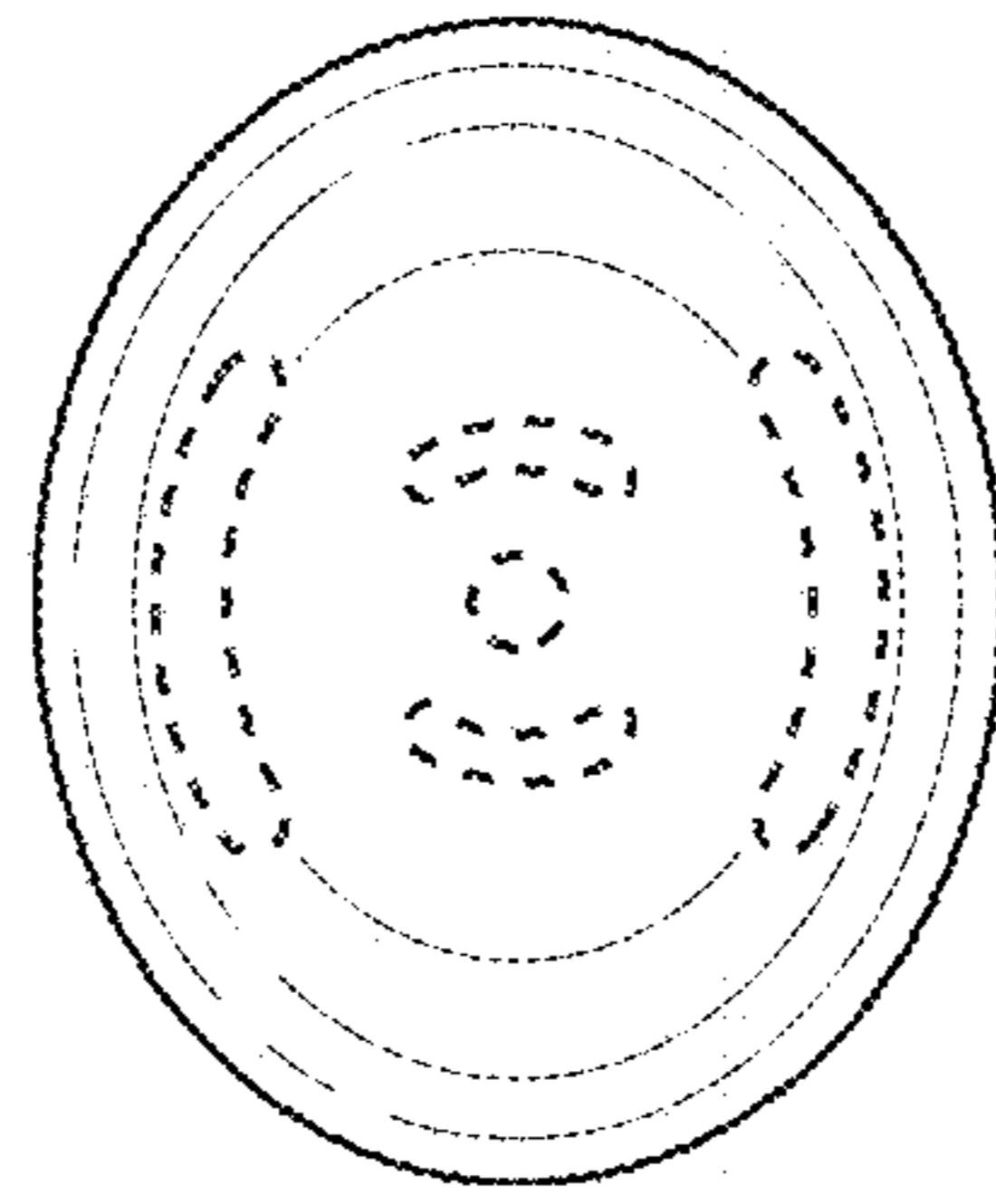




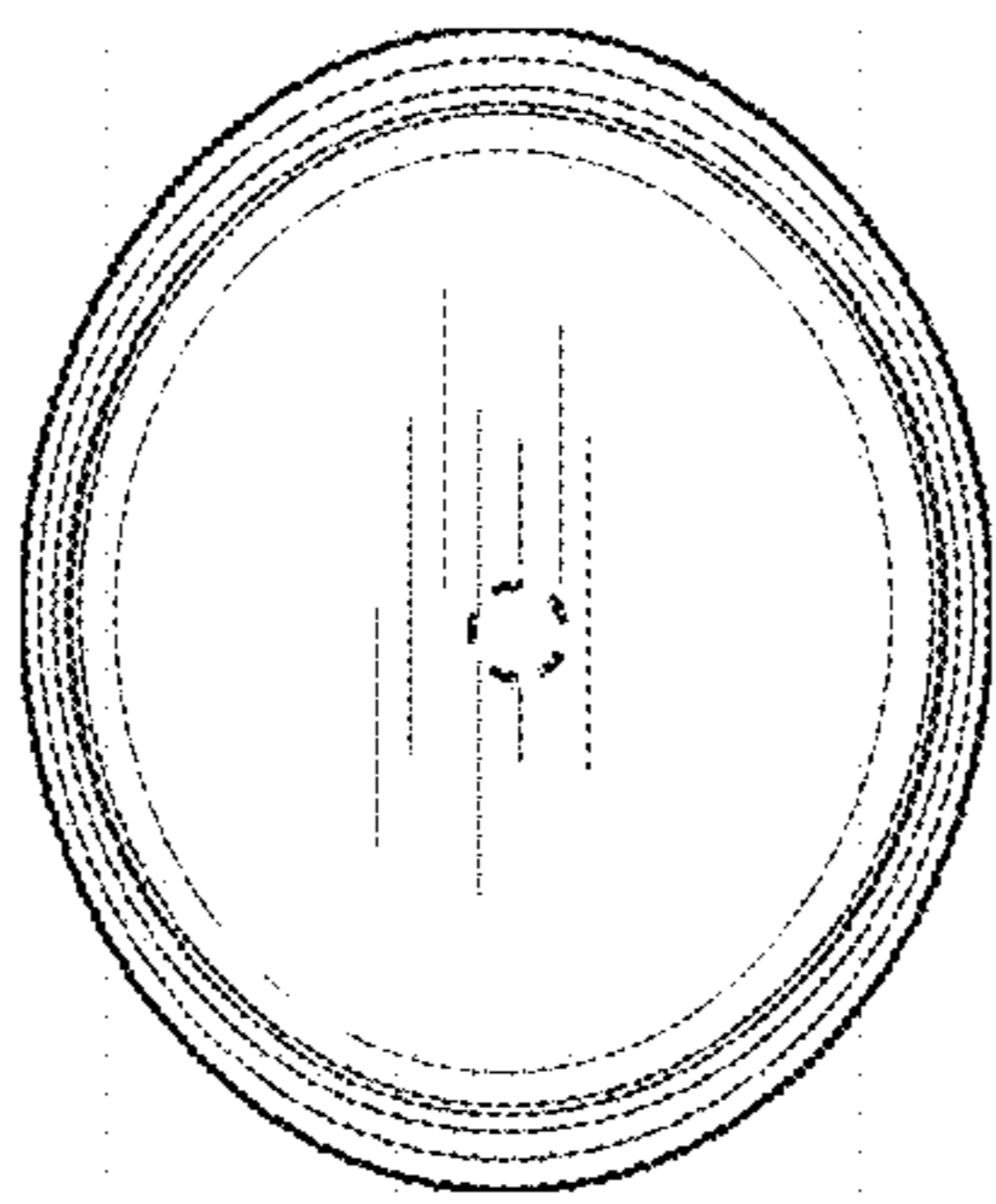
**FIG. 4**



**FIG. 5**



**FIG. 6**



**FIG. 7**