



US00D757254S

(12) **United States Design Patent**  
**Wohlfahrt et al.**

(10) **Patent No.:** **US D757,254 S**  
(45) **Date of Patent:** **\*\* May 24, 2016**

- (54) **AUTOINJECTOR HOUSING**
- (71) Applicant: **Sanofi-Aventis Deutschland GmbH**,  
Frankfurt (DE)
- (72) Inventors: **Tobias Wohlfahrt**, Munich (DE);  
**Christian Rogge**, Munich (DE)
- (73) Assignee: **Sanofi-Aventis Deutschland GMBH**,  
Frankfurt am Main (DE)
- (\*\*) Term: **14 Years**
- (21) Appl. No.: **29/520,119**
- (22) Filed: **Mar. 11, 2015**
- (30) **Foreign Application Priority Data**
  - Jan. 7, 2015 (EM) ..... 002609784-0014
  - Jan. 7, 2015 (EM) ..... 002609784-0017
- (51) **LOC (10) Cl.** ..... **24-02**
- (52) **U.S. Cl.**  
USPC ..... **D24/113**
- (58) **Field of Classification Search**  
USPC ..... D24/112-114, 108, 133, 130, 127, 186;  
606/181, 185; 604/264, 272, 187, 181,  
604/184, 227  
CPC ..... A61M 5/178; A61M 3/00; A61M 5/20;  
A61M 5/31; A61M 5/3146; A61M 5/3129;  
A61M 5/3148; A61M 5/315  
See application file for complete search history.

D708,317 S *	7/2014	Schneider	.....	D24/113
D714,932 S *	10/2014	Hall	.....	D24/112
D728,782 S *	5/2015	Dubuc	.....	D24/113
D732,161 S *	6/2015	Ohashi	.....	D24/113
D732,661 S *	6/2015	Dubuc	.....	D24/113
D737,430 S *	8/2015	Wargner	.....	D24/112
D739,011 S *	9/2015	Morrison, Jr.	.....	D24/114
D743,539 S *	11/2015	Chung	.....	D24/113
D745,664 S *	12/2015	Pocock	.....	D24/112

**OTHER PUBLICATIONS**

Examination Report in NZ Application No. 420861, dated Nov. 10, 2015, 2 pages.  
Screenshots relating to "Auto Injector citations by SHL Group," publically visible from Dec. 30, 2014, 4 pages.

\* cited by examiner

*Primary Examiner* — David Muller

(74) *Attorney, Agent, or Firm* — Fish & Richardson P.C.

(57) **CLAIM**

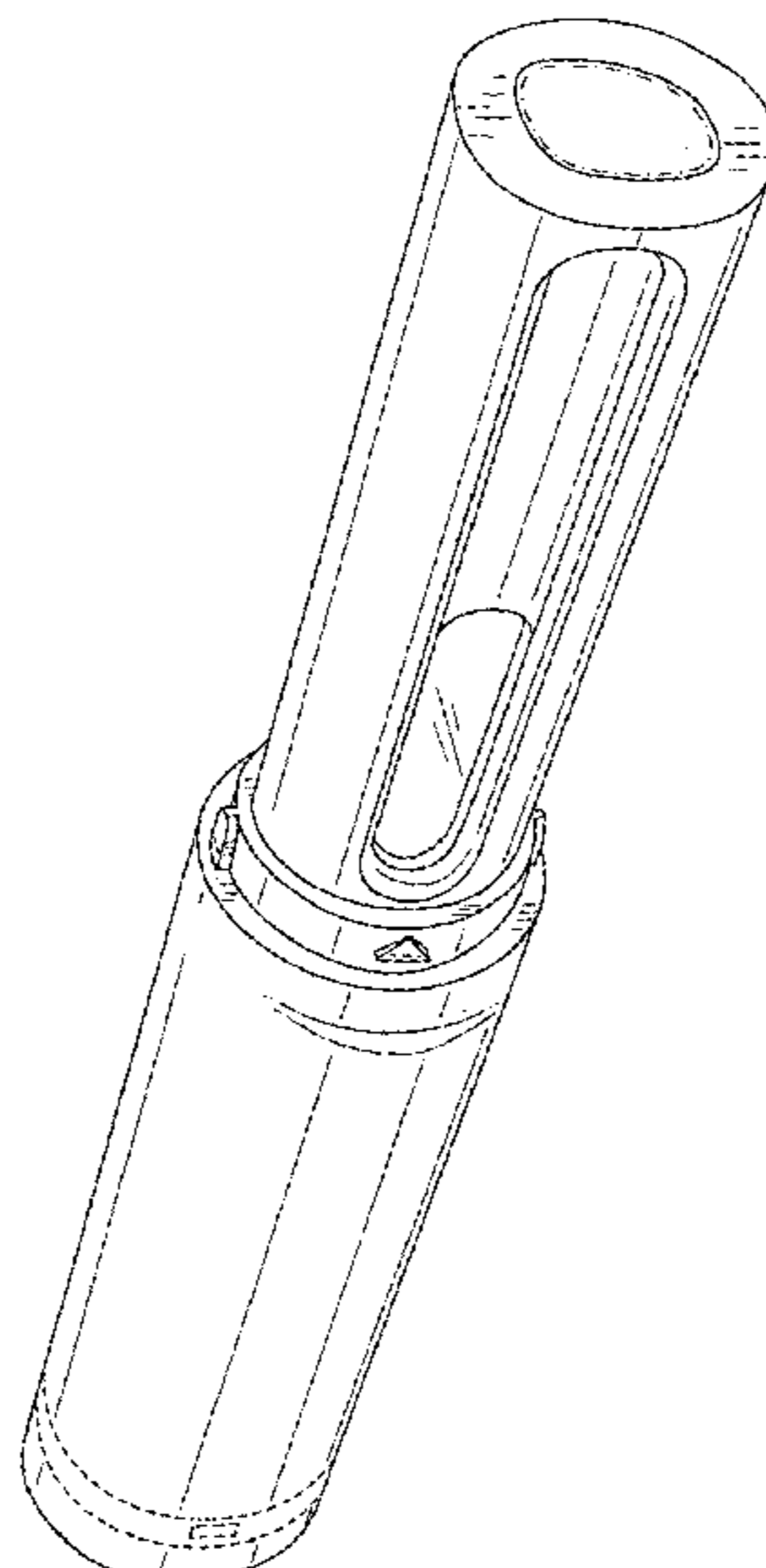
The ornamental design for an autoinjector housing, as shown and described.

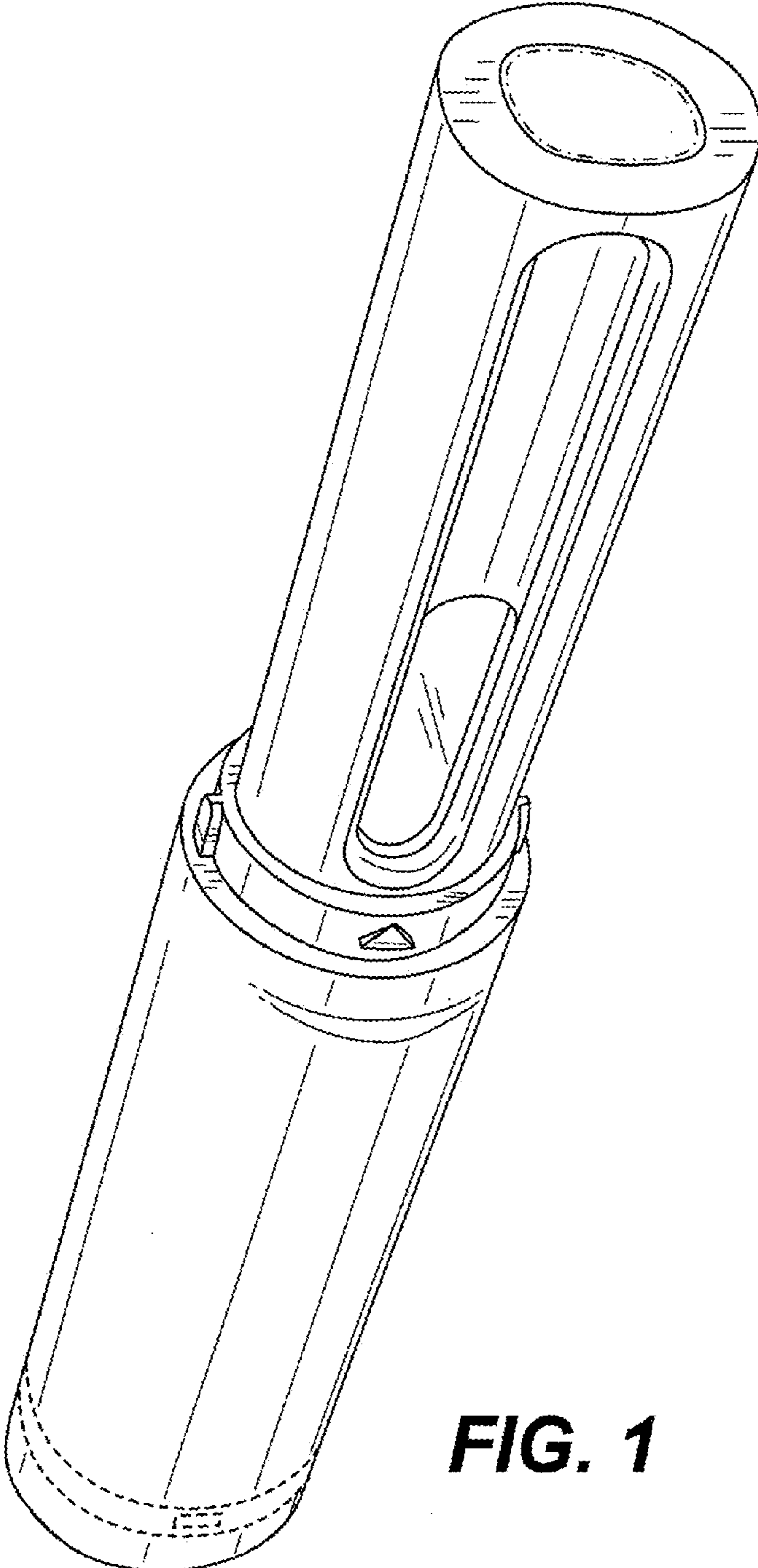
**DESCRIPTION**

FIG. 1 is a front top left perspective view of an autoinjector housing showing our new design;  
FIG. 2 is a front elevation view thereof;  
FIG. 3 is a rear elevation view thereof;  
FIG. 4 is a left side elevation view thereof;  
FIG. 5 is a right side elevation view thereof;  
FIG. 6 is a top plan view thereof; and,  
FIG. 7 is a bottom plan view thereof.  
The broken lines of even length shown in the drawings illustrate portions of the autoinjector housing that forms no part of the claimed design. The broken lines of uneven length define the boundary of the claimed design.

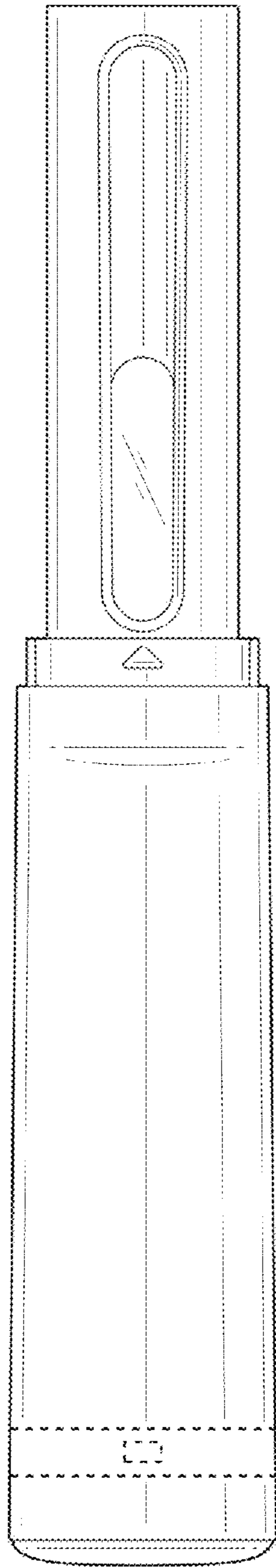
**1 Claim, 4 Drawing Sheets**

- (56) **References Cited**  
U.S. PATENT DOCUMENTS  
D687,543 S \* 8/2013 Pala ..... D24/113  
D696,773 S \* 12/2013 Schneider ..... D24/113  
D696,774 S \* 12/2013 Guarraia ..... D24/113  
D697,205 S \* 1/2014 Schneider ..... D24/113

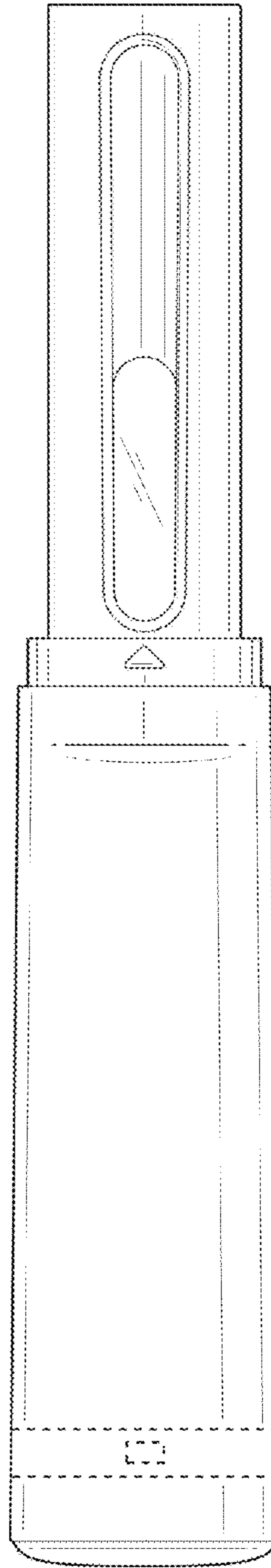




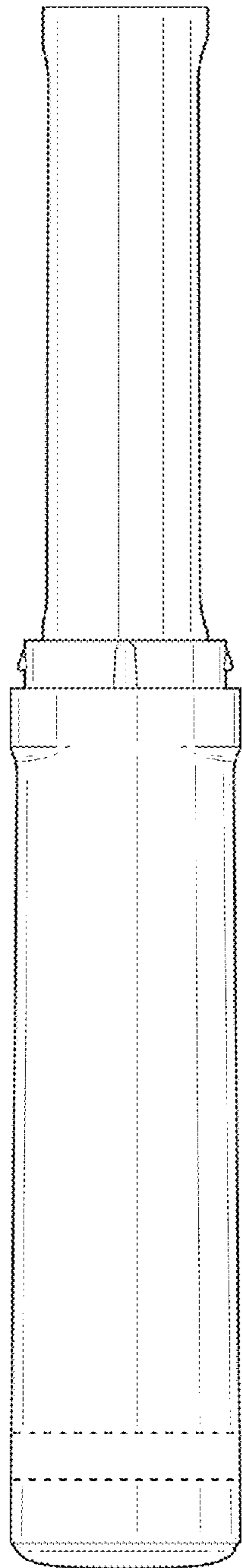
**FIG. 1**



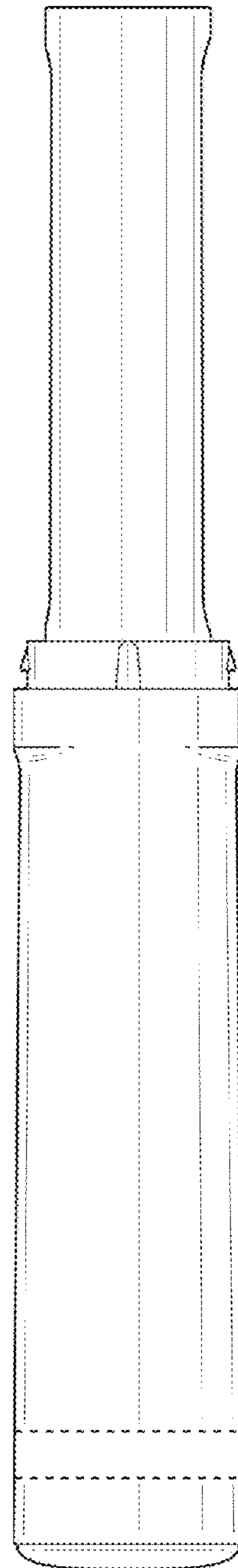
**FIG. 2**



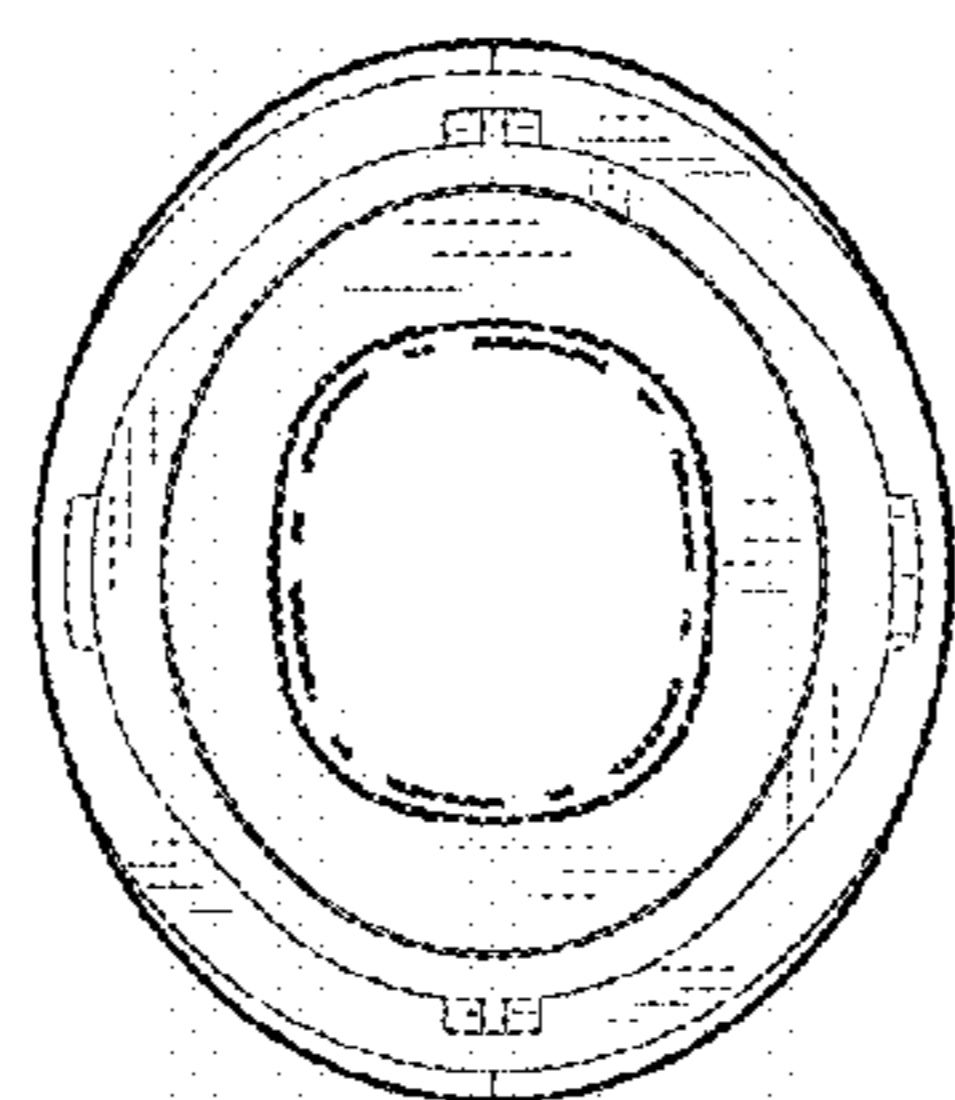
**FIG. 3**



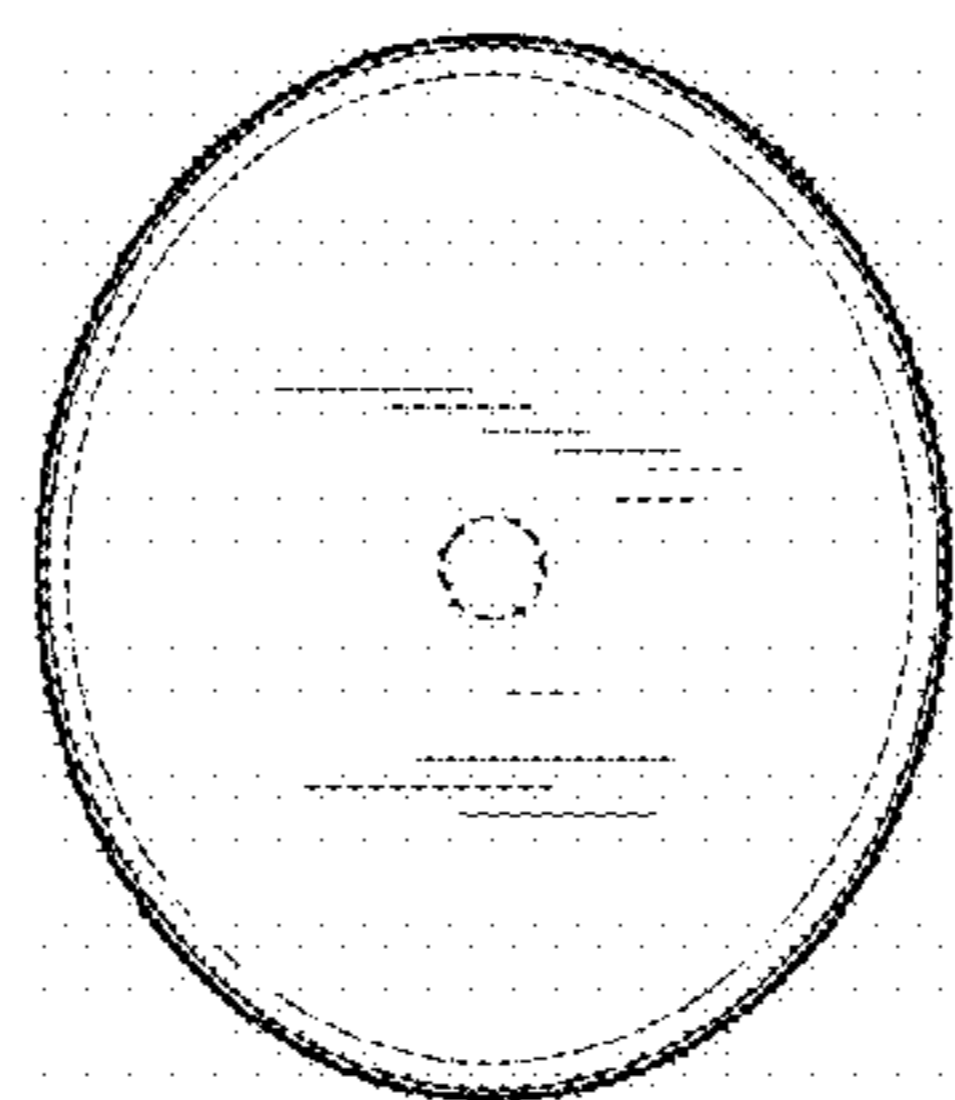
**FIG. 4**



**FIG. 5**



**FIG. 6**



**FIG. 7**