



US00D757252S

(12) **United States Design Patent**
Von Moger et al.

(10) **Patent No.:** **US D757,252 S**

(45) **Date of Patent:** **** May 24, 2016**

(54) **PATIENT INTERFACE**

(71) Applicant: **ResMed Limited**, Bella Vista, New South Wales (AU)

(72) Inventors: **Lochlan Von Moger**, Ultimo (AU);
Matthew Eves, Manly Vale (AU);
Memduh Guney, Killara (AU); **Michael Charles La Guzza**, Carlington (AU)

(73) Assignee: **ResMed Limited**, Bella Vista (AU)

(**) Term: **14 Years**

(21) Appl. No.: **29/452,151**

(22) Filed: **Apr. 12, 2013**

(51) **LOC (10) Cl.** **29-02**

(52) **U.S. Cl.**
USPC **D24/110.5**

(58) **Field of Classification Search**
USPC D24/110-110.6; 128/206.12, 206.23,
128/206.24, 206.28, 205.27, 201.17, 201.22
CPC A61M 16/0622; A61M 16/0616;
A61M 16/0816; A61M 16/08; A61M 16/0633;
A61M 16/06; A61M 16/0666; A61M
2210/0618; A61M 16/0683
See application file for complete search history.

(56) **References Cited**

U.S. PATENT DOCUMENTS

D485,905	S	*	1/2004	Moore et al.	D24/110.1
6,907,882	B2	*	6/2005	Ging et al.	128/207.11
D653,748	S	*	2/2012	Henry et al.	D24/110.5
D656,231	S	*	3/2012	Henry et al.	D24/110.1
D683,446	S	*	5/2013	Eves et al.	D24/110.4
D692,554	S	*	10/2013	Siew et al.	D24/110.4

D696,396	S	*	12/2013	Eves et al.	D24/110.4
D709,181	S	*	7/2014	Henry et al.	D24/110.1
D717,942	S	*	11/2014	Neff et al.	D24/127
2005/0199241	A1	*	9/2005	Ging et al.	128/207.11
2006/0042629	A1	*	3/2006	Geist	128/206.24
2011/0146685	A1	*	6/2011	Allan et al.	128/205.25
2012/0067349	A1	*	3/2012	Barlow et al.	128/205.25
2012/0090622	A1	*	4/2012	Chang	128/207.18
2013/0008449	A1	*	1/2013	Busch et al.	128/206.21
2013/0042871	A1	*	2/2013	Chang	128/205.25
2013/0152937	A1	*	6/2013	Jablonski	128/205.25
2013/0152938	A1	*	6/2013	Jablonski	128/205.25
2013/0220327	A1	*	8/2013	Barlow et al.	128/205.25

* cited by examiner

Primary Examiner — Deanna L Pratt

Assistant Examiner — Lilyana Bekic

(74) *Attorney, Agent, or Firm* — Nixon & Vanderhuy P.C.

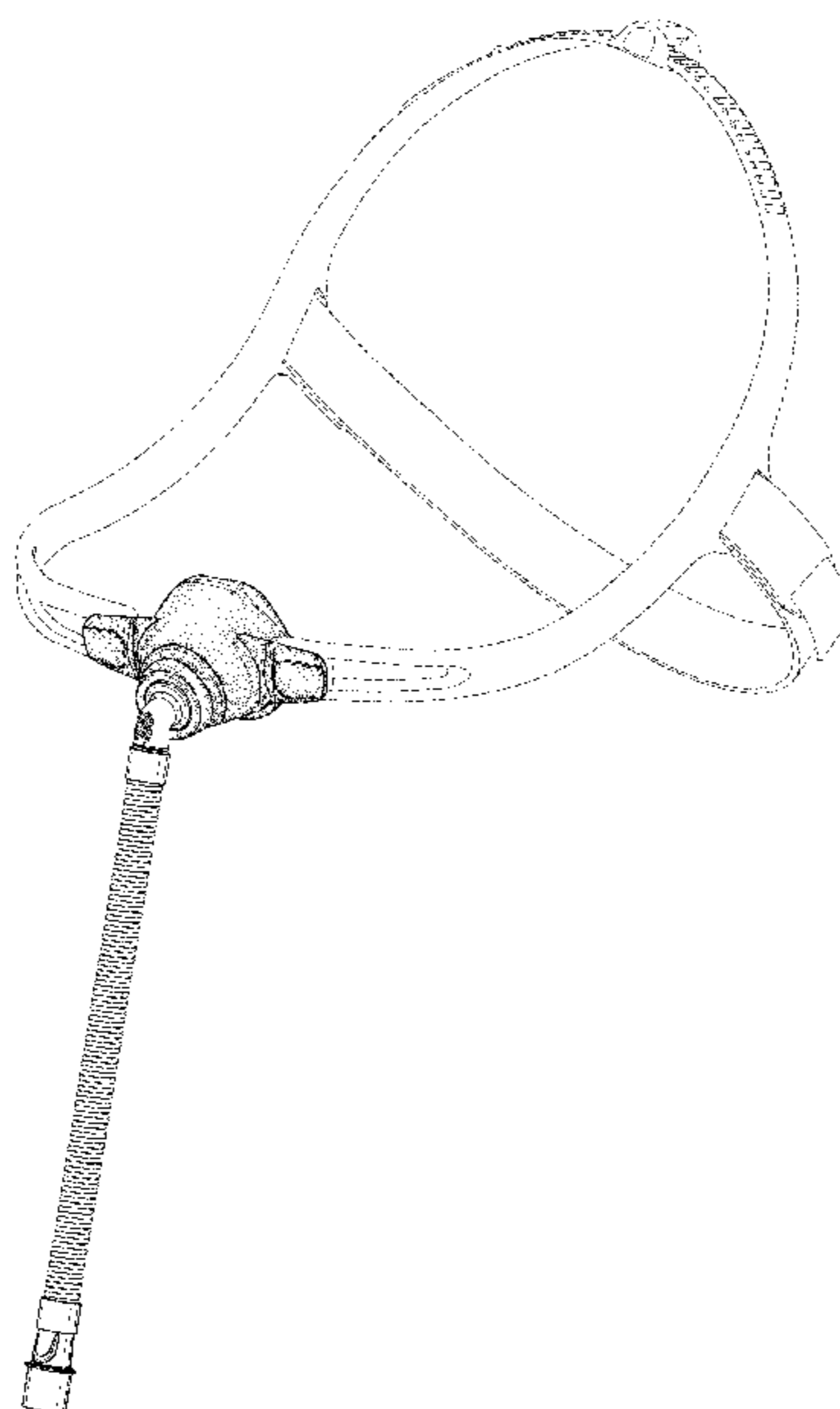
(57) **CLAIM**

The ornamental design for a patient interface, as shown and described.

DESCRIPTION

FIG. 1 is a front perspective view of a patient interface according to our new ornamental design;
FIG. 2 is a front view thereof;
FIG. 3 is a rear view thereof;
FIG. 4 is a top view thereof;
FIG. 5 is a bottom view thereof;
FIG. 6 is a right side view thereof; and,
FIG. 7 is a left side view thereof.
The broken lines represent environmental structure and do not form a part of the claimed design.
Line shading and stippling have been used in the drawings to indicate a contrast in appearance or materials.

1 Claim, 7 Drawing Sheets



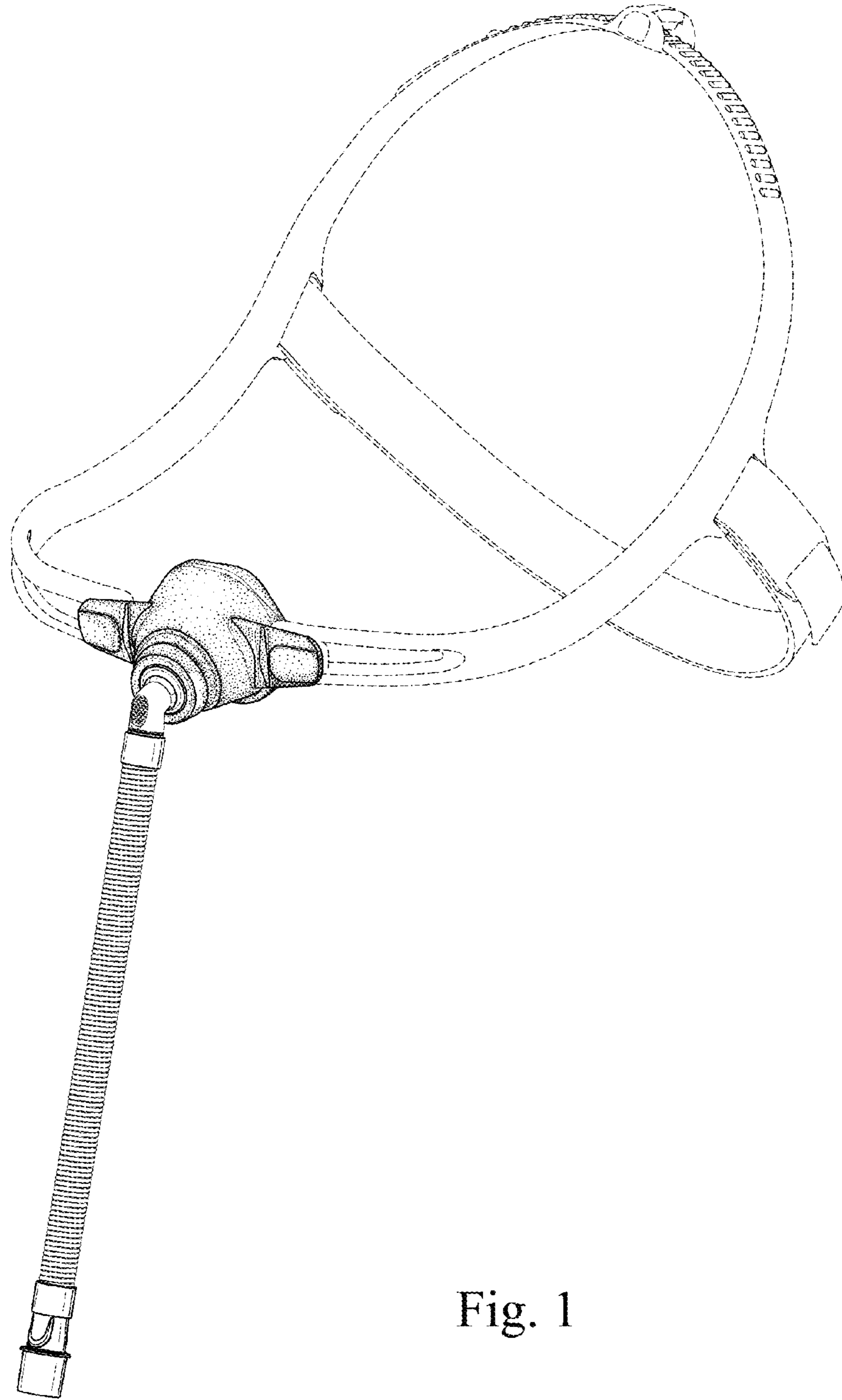


Fig. 1

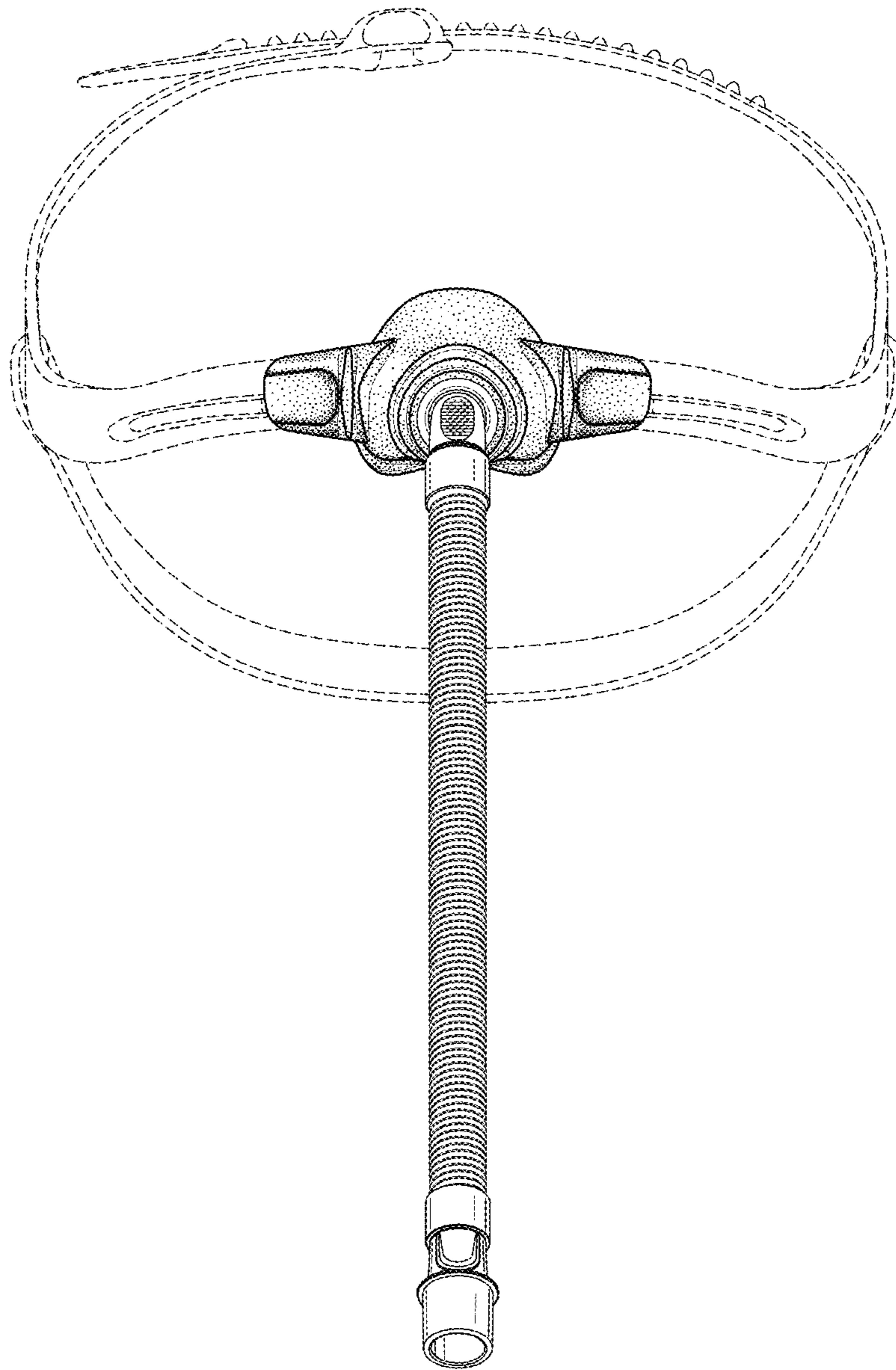


Fig. 2

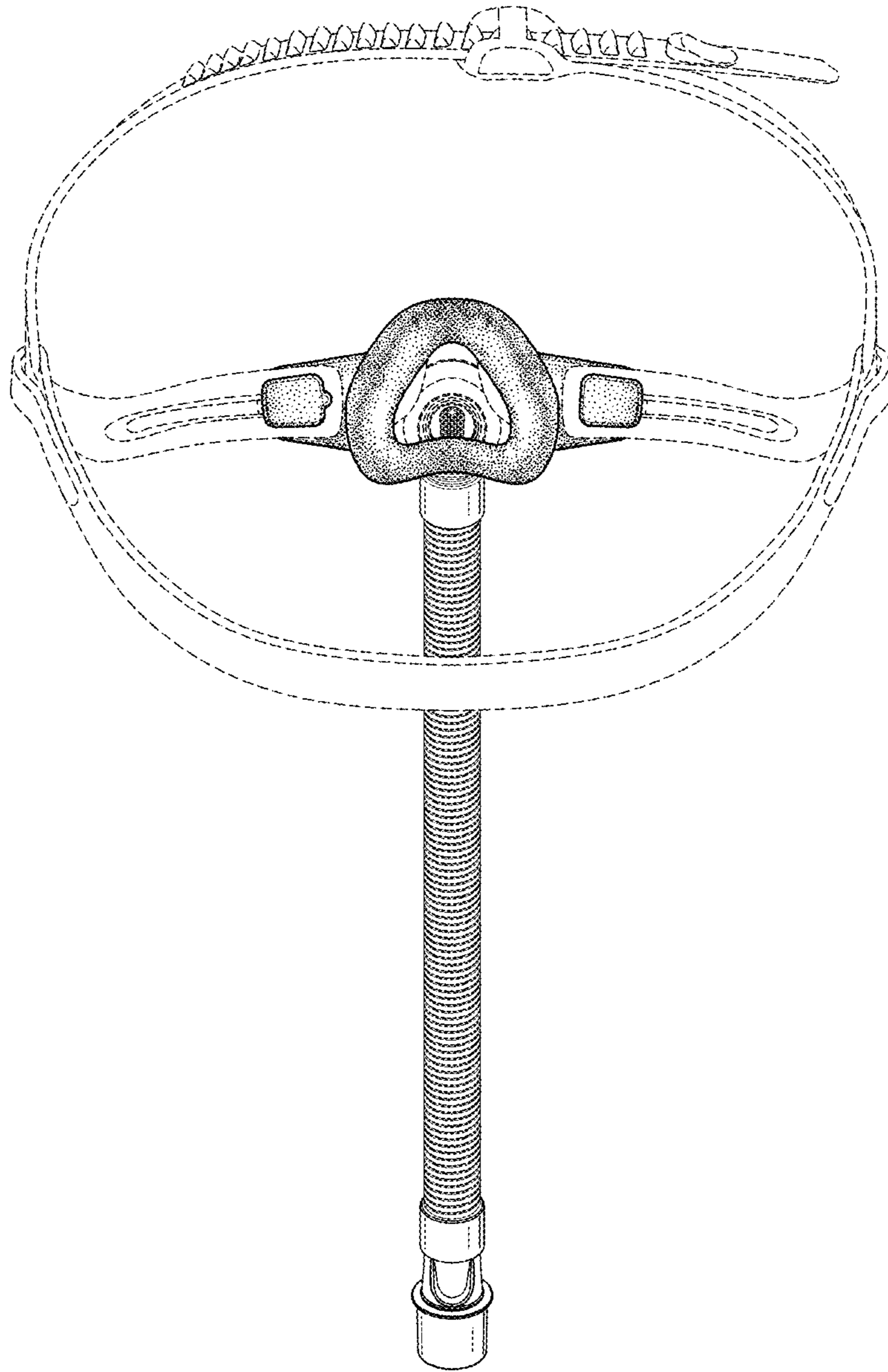


Fig. 3

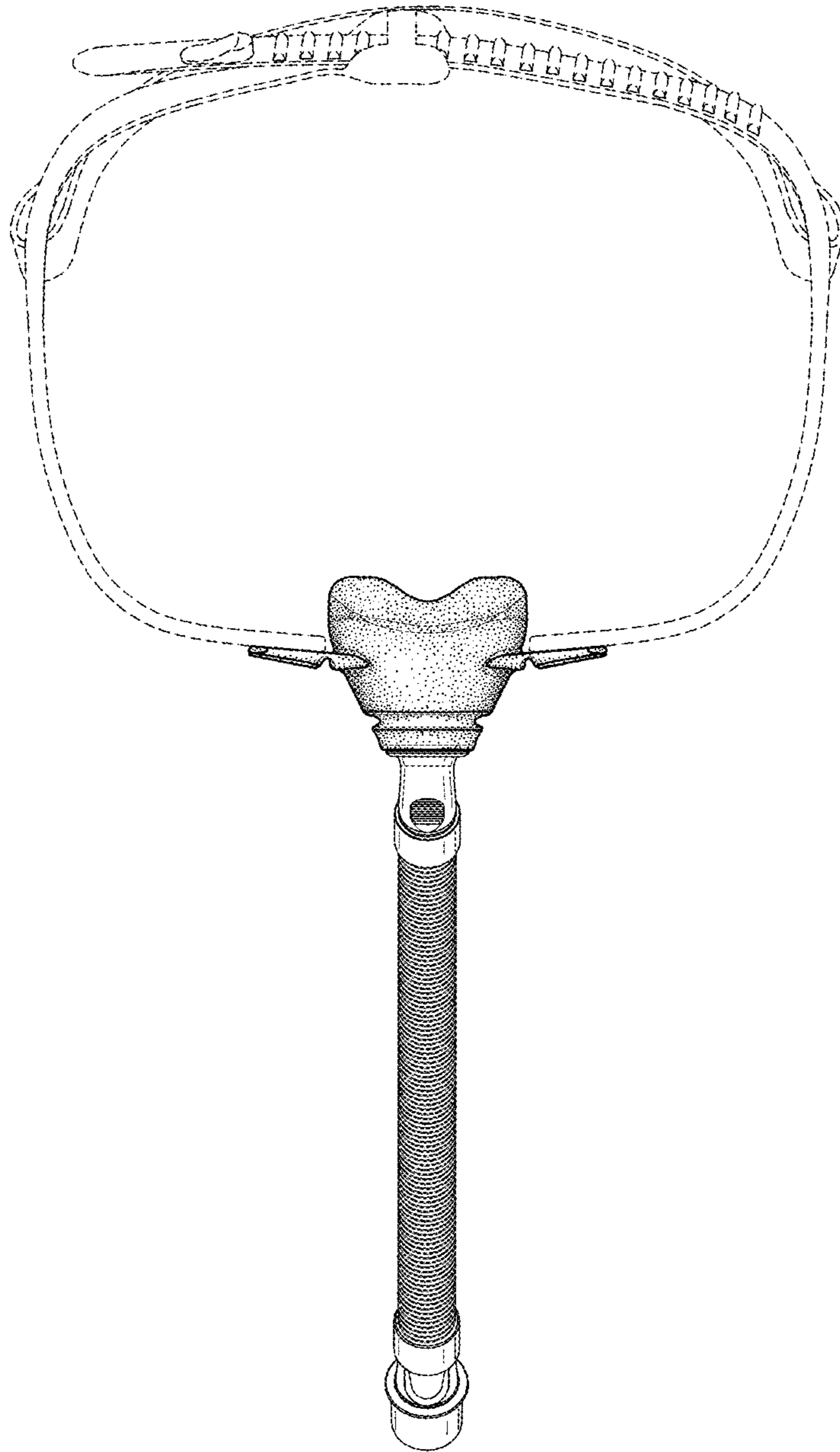


Fig. 4

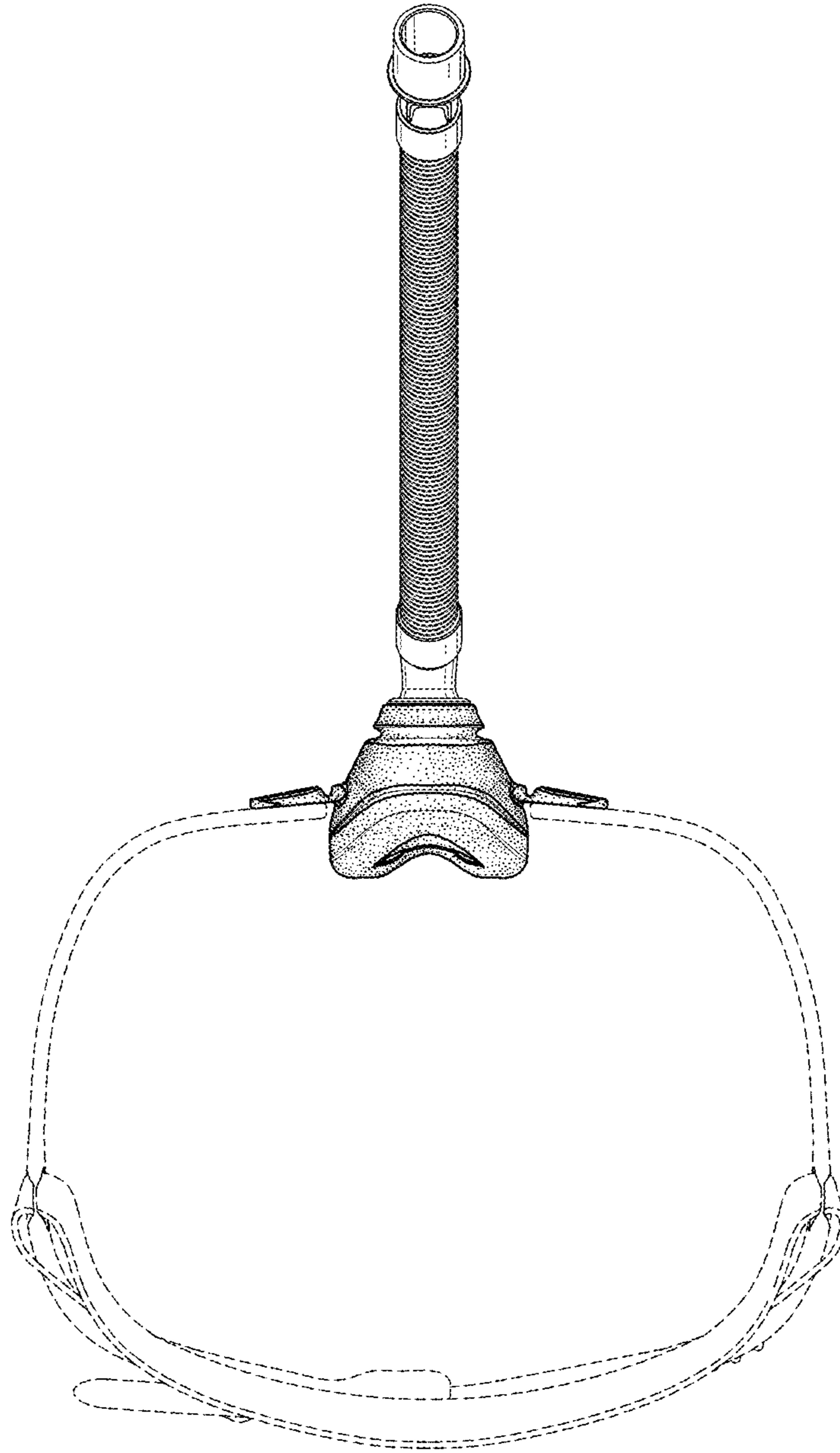


Fig. 5

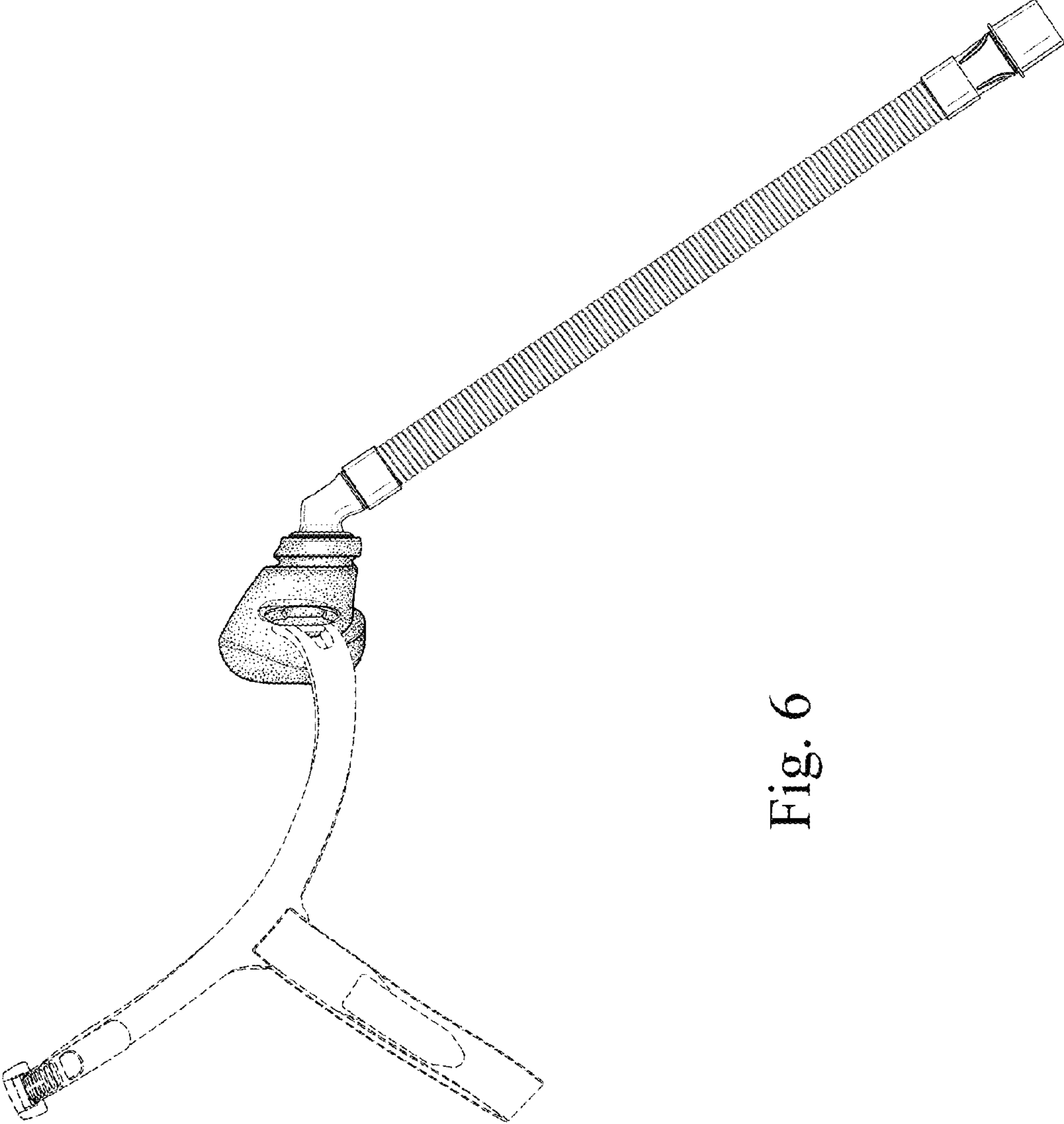


Fig. 6

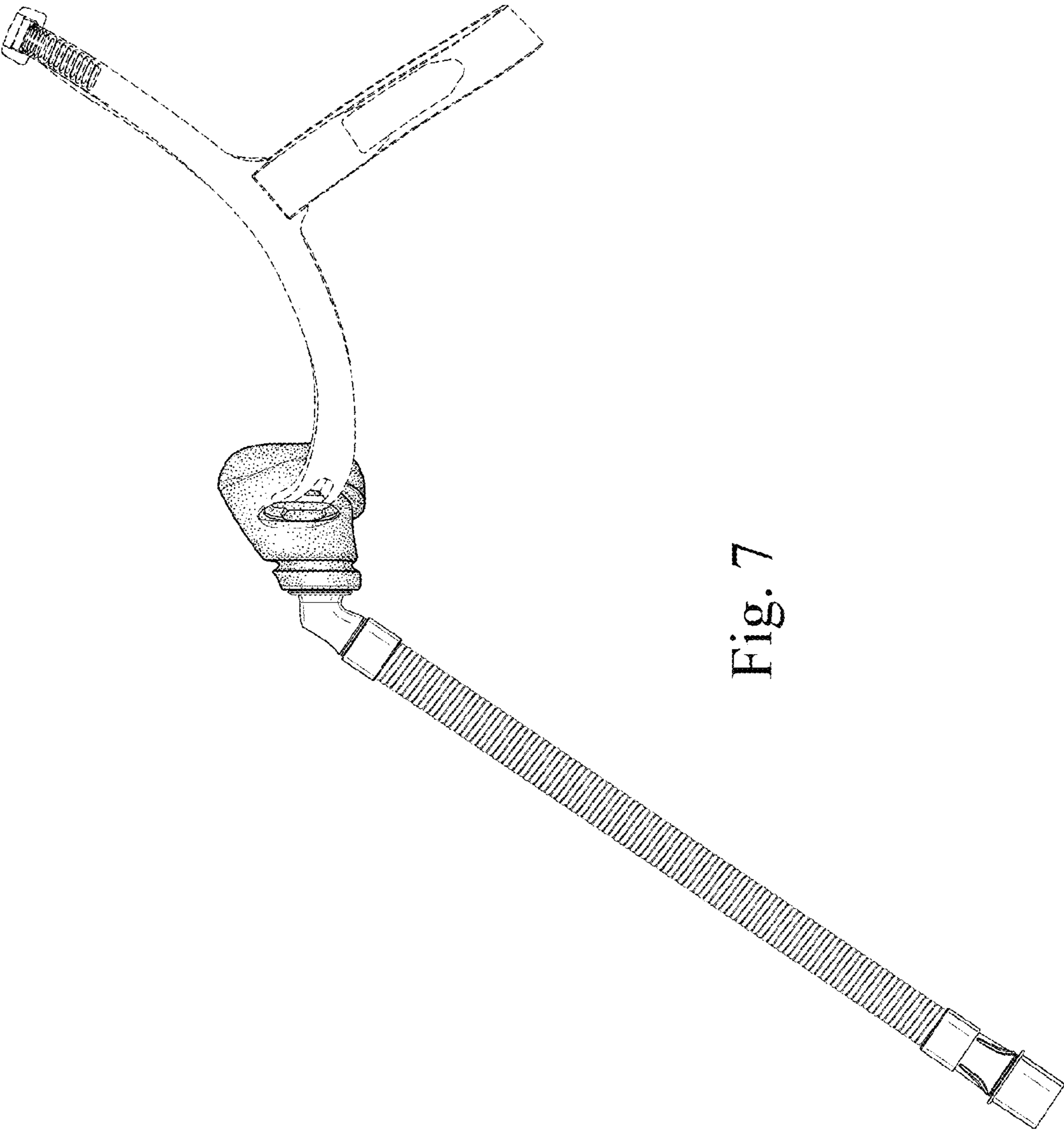


Fig. 7