

US00D757251S

(12) **United States Design Patent**  
**Oostman et al.**

(10) **Patent No.:** **US D757,251 S**  
(45) **Date of Patent:** **\*\* May 24, 2016**

(54) **MASK FOR ARTIFICIAL RESPIRATION AID**

(71) Applicant: **The Lifeguard Store, Inc.**, Normal, IL (US)

(72) Inventors: **Mark Oostman**, Bloomington, IL (US);  
**Michael Oostman**, North Reading, MA (US)

(73) Assignee: **The Lifeguard Store, Inc.**, Normal, IL (US)

(\*\*) Term: **14 Years**

(21) Appl. No.: **29/516,649**

(22) Filed: **Feb. 4, 2015**

**Related U.S. Application Data**

(62) Division of application No. 29/451,388, filed on Apr. 1, 2013, now Pat. No. Des. 724,198.

(51) **LOC (10) Cl.** ..... **29-02**

(52) **U.S. Cl.**  
USPC ..... **D24/110.4**

(58) **Field of Classification Search**  
USPC ..... D24/107, 110, 110.1, 110.4, 110.5, 127  
CPC . A61M 16/06; A61M 16/00; A61M 16/0616;  
A61M 16/0048; A61M 16/0078; A61M  
16/0661; A62B 18/025  
See application file for complete search history.

(56) **References Cited**

**U.S. PATENT DOCUMENTS**

D239,021 S 3/1976 D'Alo  
3,982,532 A \* 9/1976 Halldin ..... A61M 16/06  
128/206.24  
D253,721 S 12/1979 Gibeck

D303,587 S 9/1989 Quinn et al.  
D340,976 S 11/1993 Garcia  
D349,586 S 8/1994 Handke  
D377,090 S 12/1996 Lee  
5,685,298 A \* 11/1997 Idris ..... A61M 16/0048  
128/202.26  
D397,215 S 8/1998 Hoftman  
5,896,857 A 4/1999 Hely et al.  
5,937,851 A 8/1999 Serowski et al.  
6,035,852 A 3/2000 Hoffman et al.  
D434,141 S 11/2000 Randeberg et al.  
D465,568 S 11/2002 Petherbridge et al.  
D473,646 S 4/2003 Bailargeon et al.  
D483,476 S 12/2003 Von Hollen et al.  
D499,803 S 12/2004 Chang  
D574,487 S 8/2008 Edhouse et al.  
D598,537 S 8/2009 Nashed

(Continued)

*Primary Examiner* — Barbara Fox

*Assistant Examiner* — Lilyana Bekic

(74) *Attorney, Agent, or Firm* — Quarles & Brady LLP

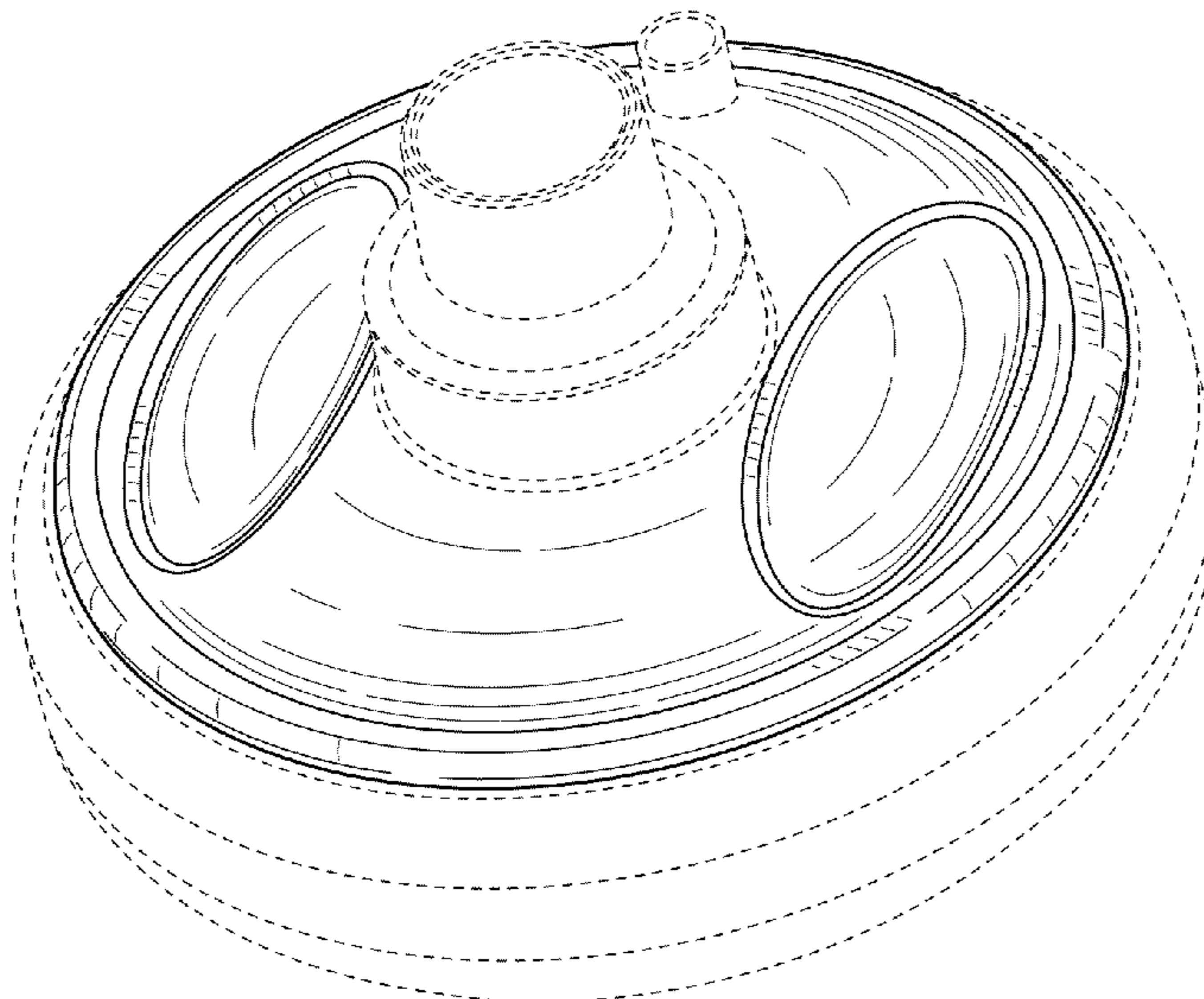
(57) **CLAIM**

The ornamental design for a mask for artificial respiration aid, as shown and described.

**DESCRIPTION**

FIG. 1 is an isometric view of a top, front, and left side of a mask for artificial respiration aid showing the new design; FIG. 2 is a front elevational view of the mask of FIG. 1; FIG. 3 is a rear elevational view of the mask of FIG. 1; FIG. 4 is a left side elevational view of the mask of FIG. 1; FIG. 5 is a right side elevational view of the mask of FIG. 1; FIG. 6 is a top plan view of the mask of FIG. 1; and, FIG. 7 is a bottom plan view of the mask of FIG. 1. The broken lines in the drawings illustrate portions of the mask for artificial respiration aid that form no part of the claimed design.

**1 Claim, 4 Drawing Sheets**



(56)

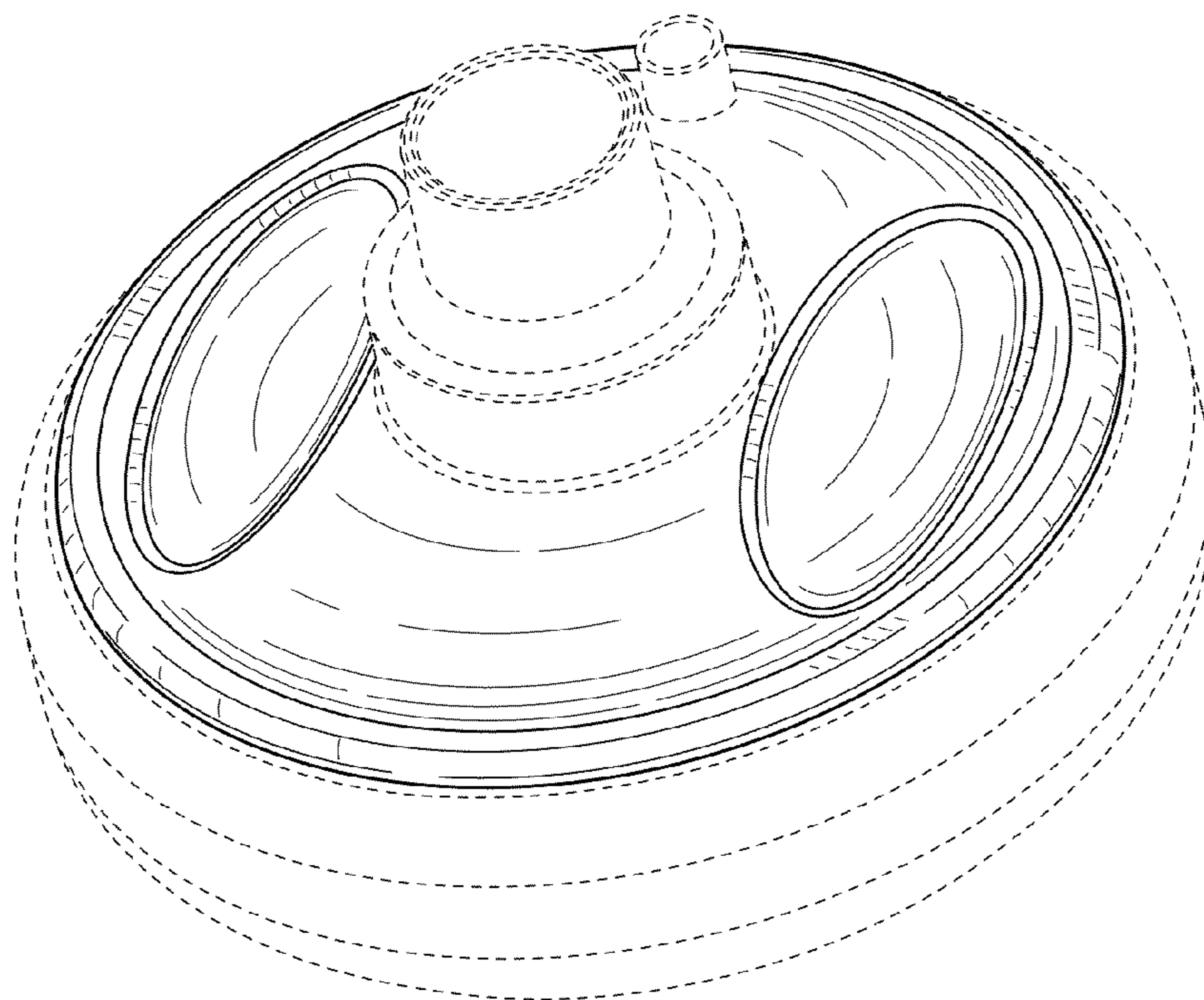
**References Cited**

U.S. PATENT DOCUMENTS

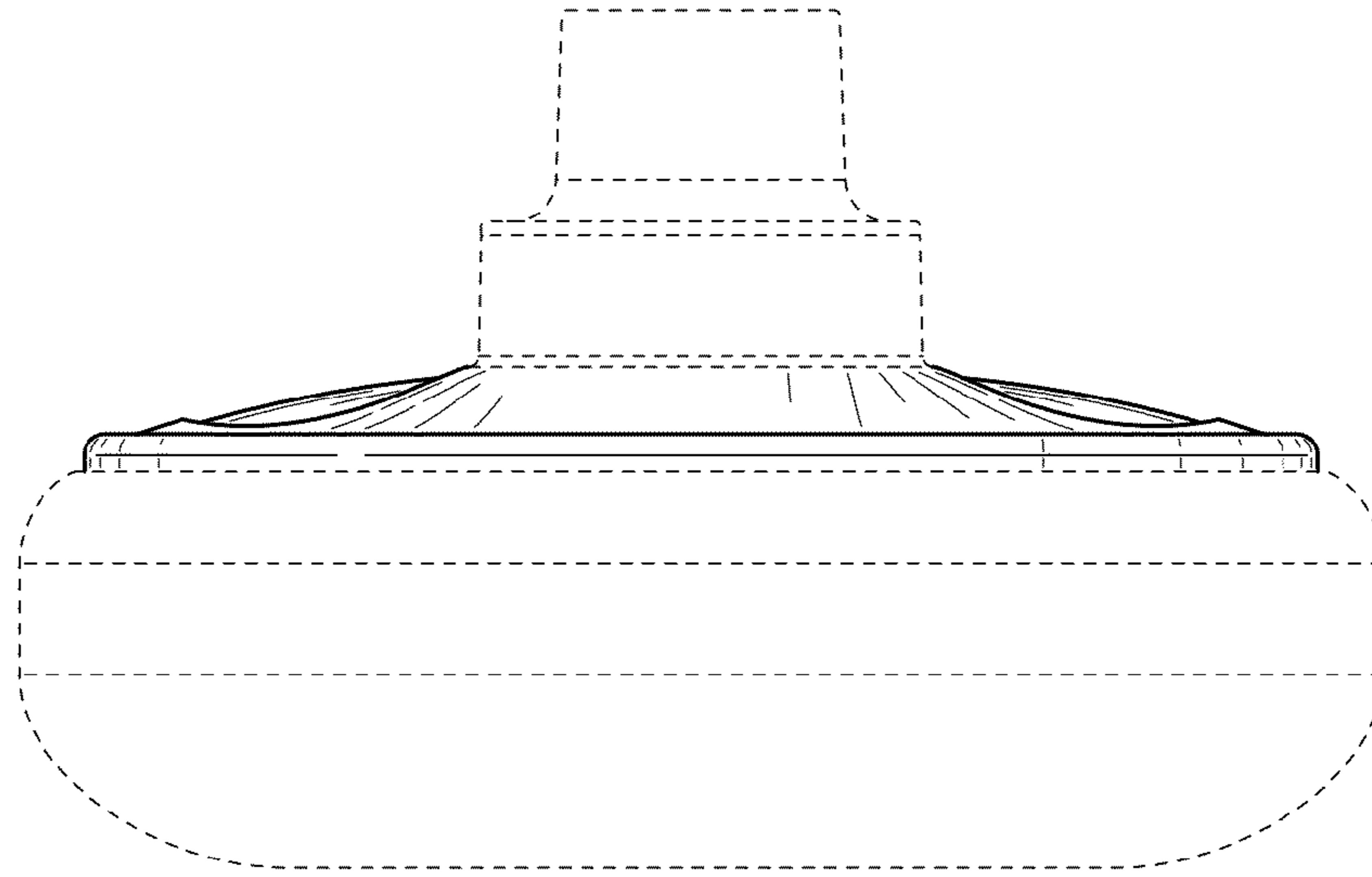
D600,343 S 9/2009 Degabriele et al.  
 D612,481 S 3/2010 Reid et al.  
 D612,482 S 3/2010 Degabriele et al.  
 D634,420 S 3/2011 Hanada et al.  
 D634,813 S 3/2011 Hernandez  
 D637,283 S 5/2011 Selvarajan et al.  
 D645,961 S 9/2011 Biener et al.  
 D651,304 S 12/2011 Edwards et al.  
 D652,913 S 1/2012 Selvarajan et al.  
 D653,749 S 2/2012 Winter et al.  
 D655,809 S 3/2012 Winter et al.  
 D656,604 S 3/2012 Eckstein et al.  
 D657,864 S 4/2012 Moody et al.  
 8,316,845 B2 11/2012 Tappehorn et al.  
 D672,454 S 12/2012 Howe et al.  
 D675,315 S 1/2013 Moody et al.  
 D678,521 S 3/2013 Mort  
 D678,999 S 3/2013 Selvarajan et al.  
 D679,376 S 4/2013 von Hollen et al.  
 D679,377 S 4/2013 von Hollen et al.  
 D679,378 S 4/2013 von Hollen et al.  
 D680,214 S 4/2013 Eckstein et al.  
 D687,142 S 7/2013 Rothermel  
 D689,602 S 9/2013 Amirav et al.

D691,717 S 10/2013 McLean et al.  
 D692,128 S 10/2013 Miller  
 D692,555 S 10/2013 Maksym et al.  
 D692,556 S 10/2013 Winter  
 D693,001 S 11/2013 Winter  
 D695,890 S 12/2013 Bowden et al.  
 D703,558 S 4/2014 Matusik  
 D703,559 S 4/2014 Matusik  
 D703,561 S 4/2014 Matusik  
 D709,182 S 7/2014 Rothermel et al.  
 D712,766 S 9/2014 Matusik  
 D712,767 S 9/2014 Matusik  
 D713,276 S 9/2014 Matusik  
 2005/0150496 A1 7/2005 Smaldone  
 2012/0240935 A1\* 9/2012 Johansen ..... A61M 16/0045  
 128/205.17  
 2012/0255554 A1\* 10/2012 Warren ..... A61F 9/04  
 128/206.23  
 2013/0125893 A1\* 5/2013 Peace ..... A61M 16/20  
 128/205.12  
 2015/0136142 A1\* 5/2015 Blomberg ..... A62B 7/10  
 128/206.17  
 2015/0283342 A1\* 10/2015 Mielcarz ..... G09B 23/288  
 128/202.22  
 2015/0306320 A1\* 10/2015 Markus ..... A61M 16/06  
 128/203.12

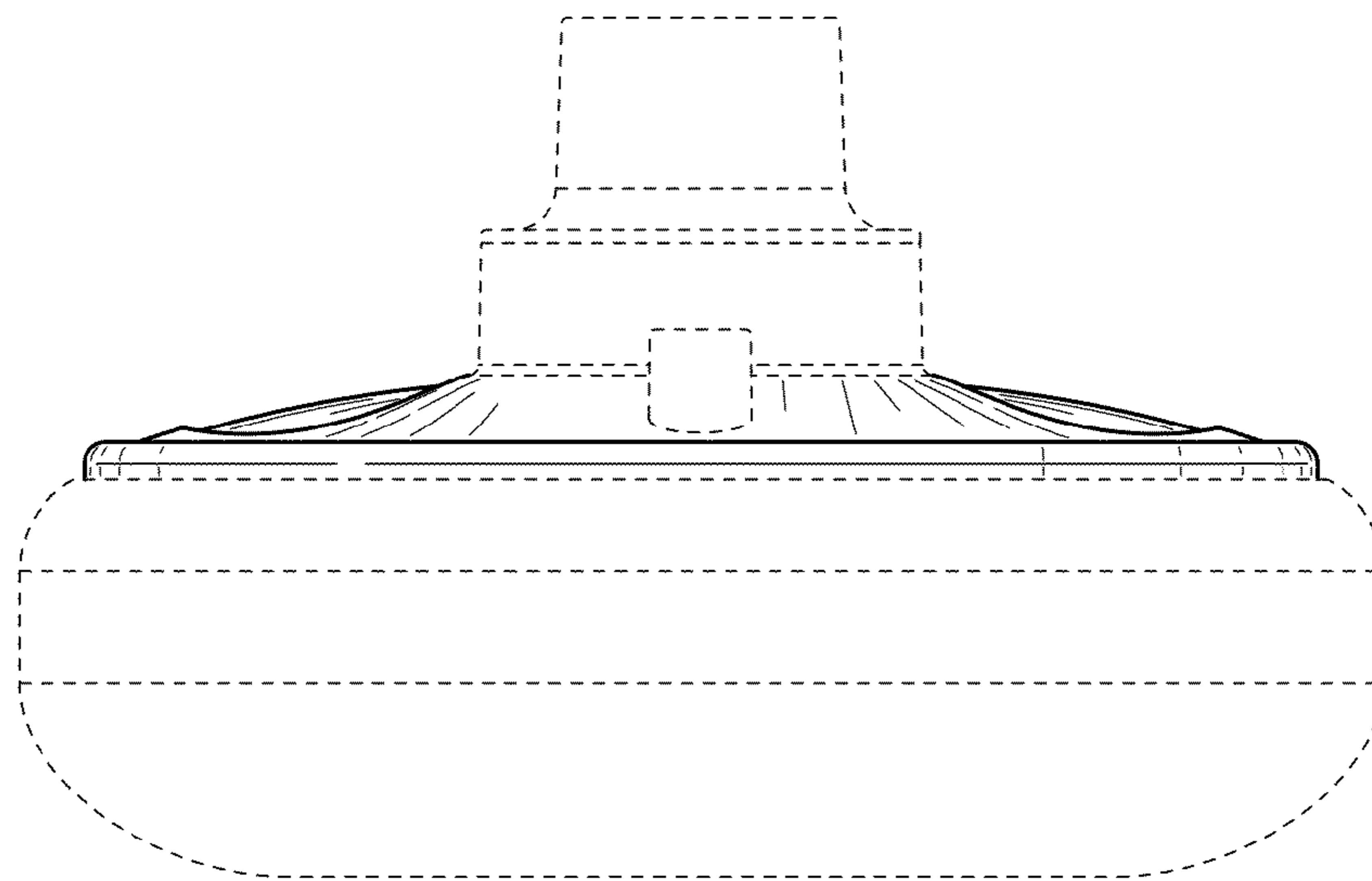
\* cited by examiner



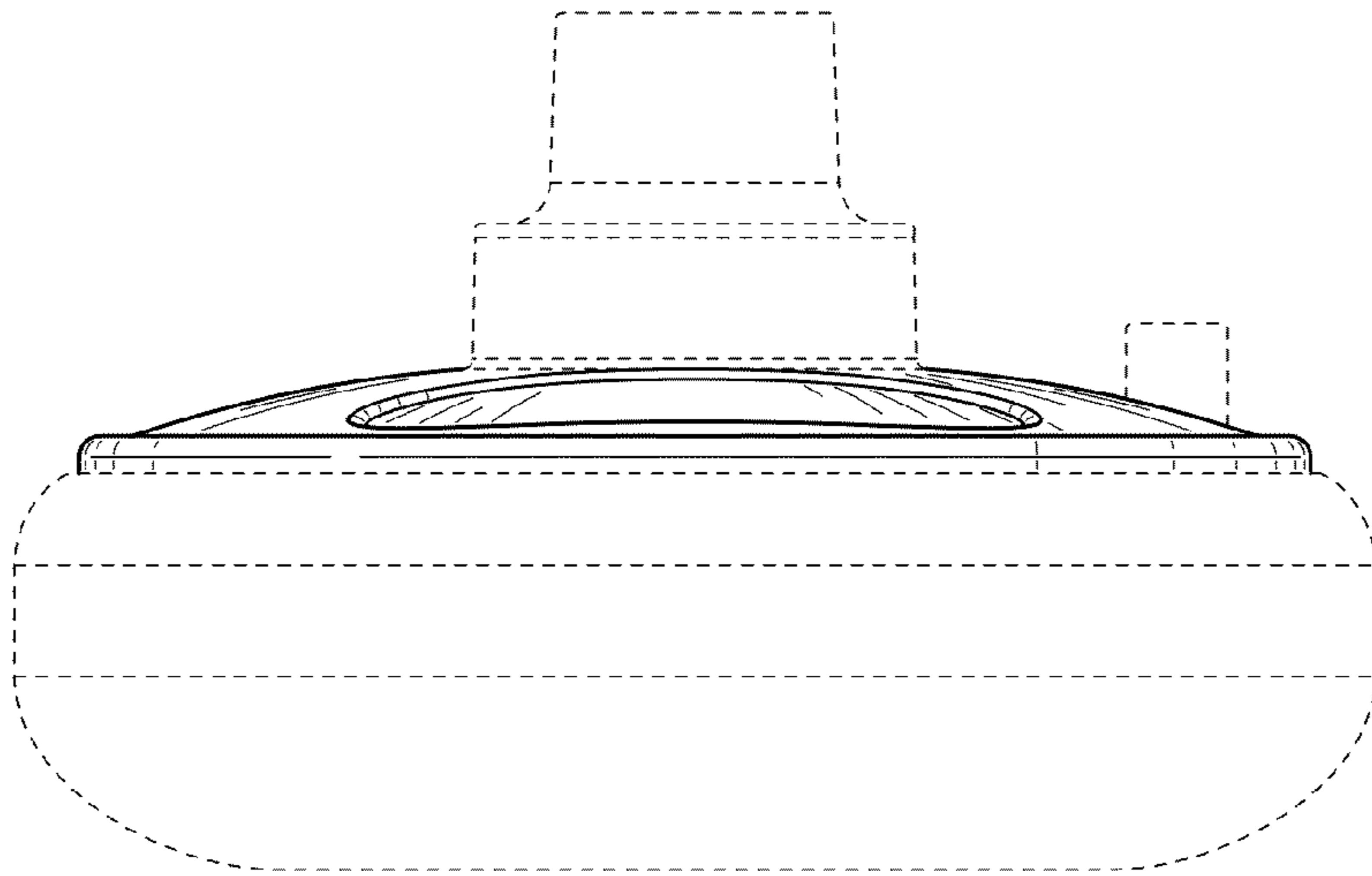
**FIG. 1**



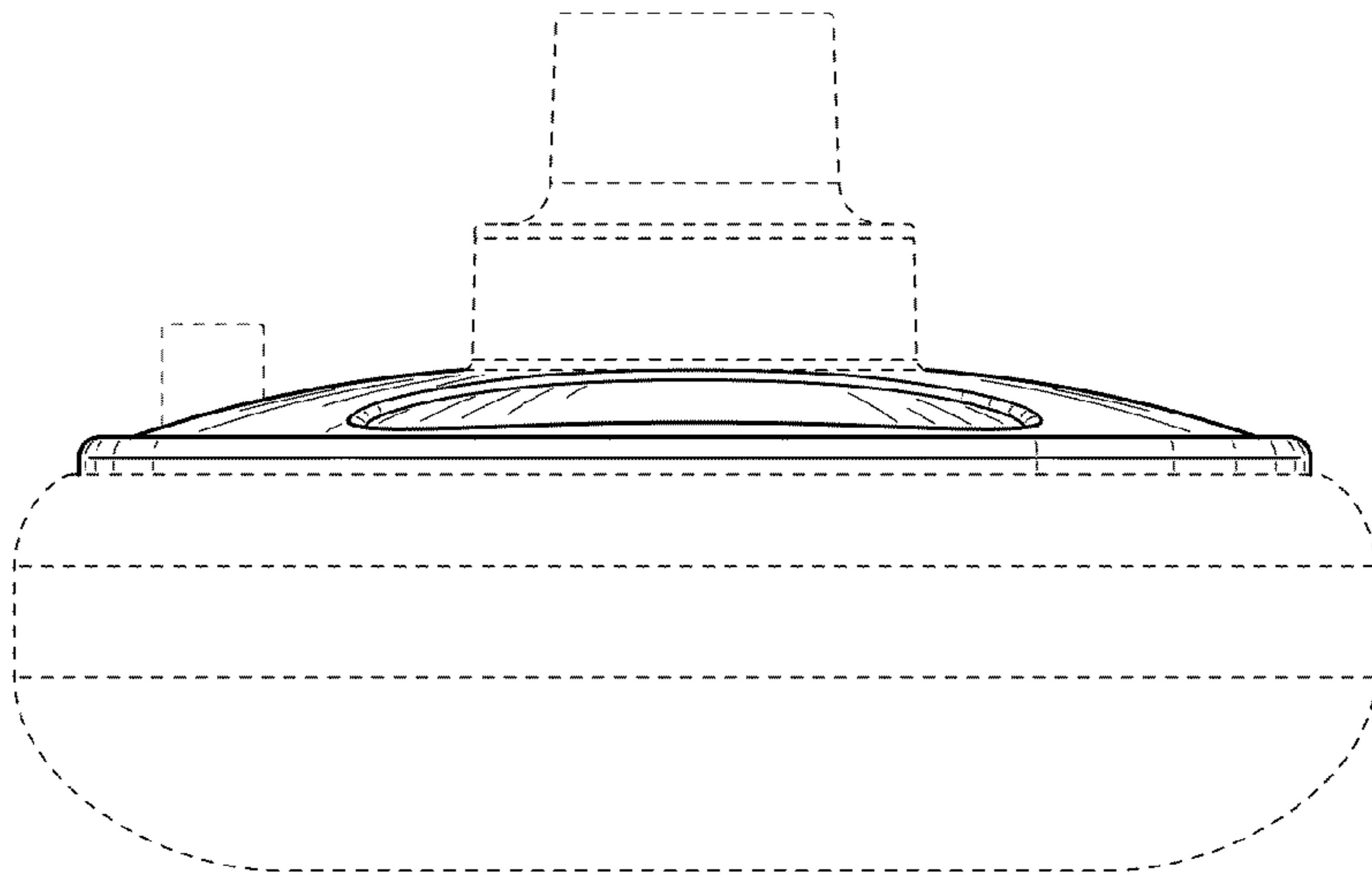
**FIG. 2**



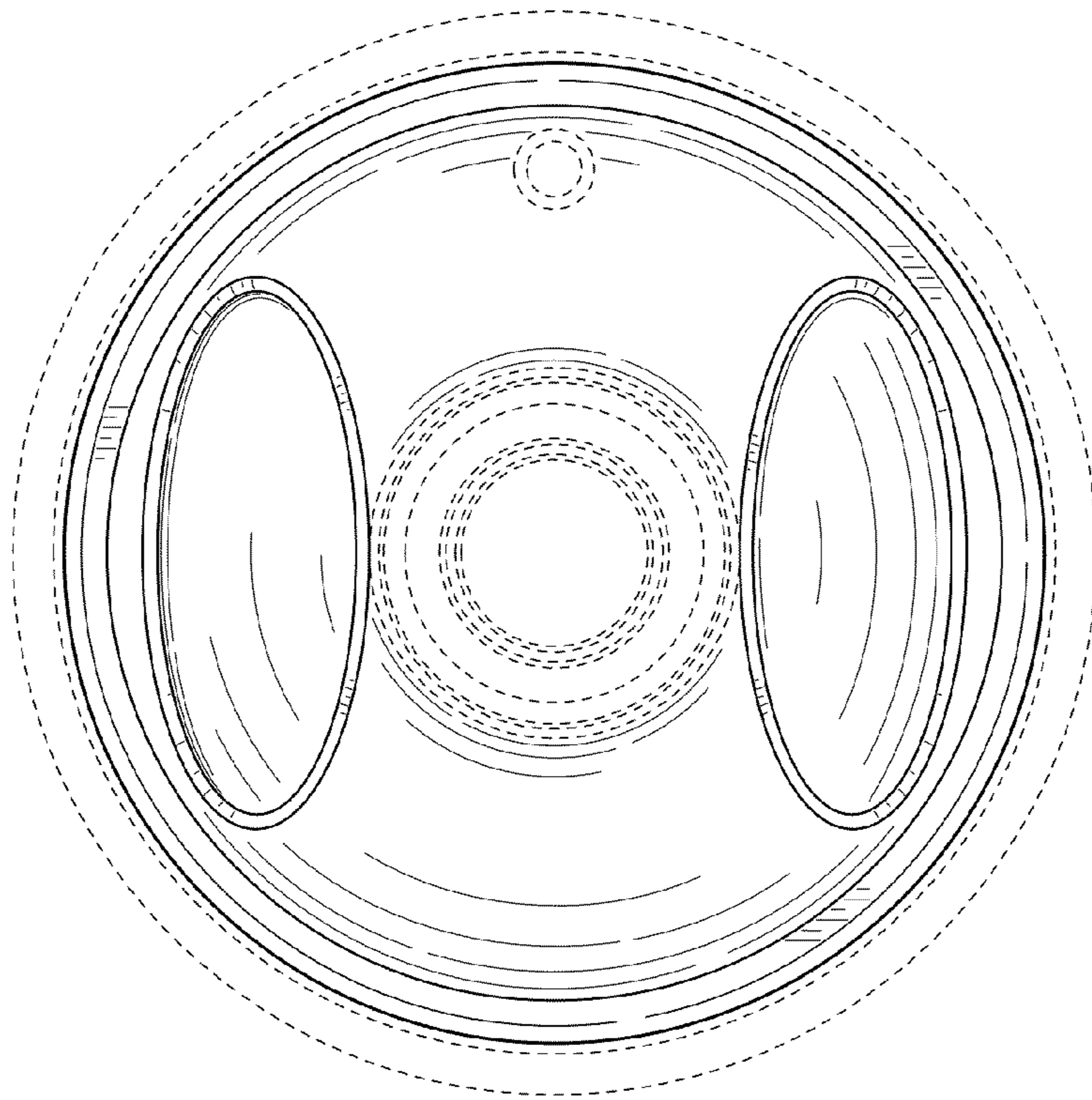
**FIG. 3**



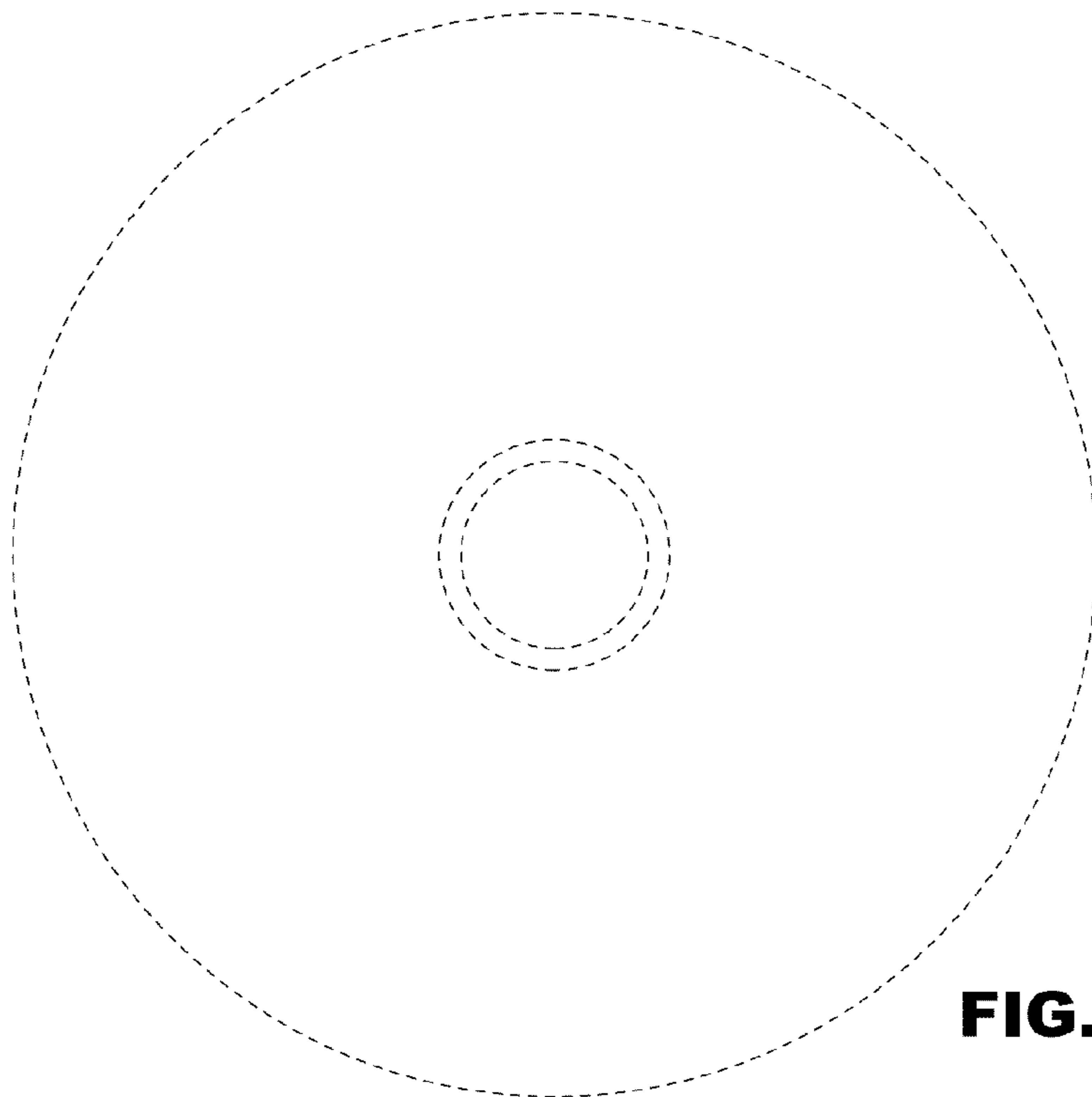
**FIG. 4**



**FIG. 5**



**FIG. 6**



**FIG. 7**