



US00D757250S

(12) **United States Design Patent**
Veliss et al.

(10) **Patent No.:** **US D757,250 S**
(45) **Date of Patent:** **** May 24, 2016**

(54) **FRAME FOR RESPIRATORY MASK**

(56) **References Cited**

(71) Applicant: **ResMed Limited**, Bella Vista, New South Wales (AU)

U.S. PATENT DOCUMENTS

(72) Inventors: **Lee James Veliss**, Rotterdam (NL);
Amal Shirley Amarasinghe, Sydney (AU);
Angelene Marie Ozolins, Sydney (AU);
Alicia Kristianne Wells, Sydney (AU);
Bart Jeremy Caffin, Sydney (AU);
Joshua Adam Gudiksen, Sydney (AU);
Christopher James Smith, Sydney (AU);
Alison Ruth Norcott, Sydney (AU);
Eric Siu, Sydney (AU);
Ian Frederick Johnson, Sydney (AU);
Richard Sokolov, Sydney (AU)

2,763,263 A	9/1956	Ellman	
3,513,844 A	5/1970	Smith	
4,782,832 A	11/1988	Trimble et al.	
4,915,105 A	4/1990	Lee	
5,687,715 A	11/1997	Landis et al.	
6,119,694 A	9/2000	Correa et al.	
6,431,172 B1	8/2002	Bordewick	
6,595,215 B2	7/2003	Wood	
D485,905 S	1/2004	Moore et al.	
D496,098 S *	9/2004	Guney	D24/110.1
6,889,689 B1	5/2005	Neuman	
D507,348 S *	7/2005	Moore	D24/110.1
D535,742 S *	1/2007	VonDohlen	D24/110.4
D542,912 S	5/2007	Gunaratnam et al.	
D545,961 S	7/2007	Hitchcock et al.	

(Continued)

(73) Assignee: **ResMed Limited**, Bella Vista (AU)

OTHER PUBLICATIONS

(**) Term: **14 Years**

Veliss et al., parent U.S. Appl. No. 29/458,093, filed Jun. 17, 2013.

(21) Appl. No.: **29/487,923**

Primary Examiner — Barbara Fox

(22) Filed: **Apr. 14, 2014**

Assistant Examiner — Lilyana Bekic

(74) *Attorney, Agent, or Firm* — Nixon & Vanderhye P.C.

Related U.S. Application Data

(62) Division of application No. 29/458,093, filed on Jun. 17, 2013, now Pat. No. Des. 706,413, which is a division of application No. 29/371,591, filed on May 5, 2011, now Pat. No. Des. 685,463.

(57) **CLAIM**

The ornamental design for a frame for respiratory mask, as shown.

(51) **LOC (10) Cl.** **29-02**

DESCRIPTION

(52) **U.S. Cl.**

USPC **D24/110.4**; D24/127

FIG. 1 is a front perspective view of a frame for respiratory mask showing our new design;
FIG. 2 is a front view thereof;
FIG. 3 is a rear view thereof;
FIG. 4 is a top view thereof;
FIG. 5 is a bottom view thereof;
FIG. 6 is a left side view thereof; and,
FIG. 7 is a right side view thereof.

(58) **Field of Classification Search**

USPC D24/110–110.6, 127

CPC A61M 16/0622; A61M 16/0616;

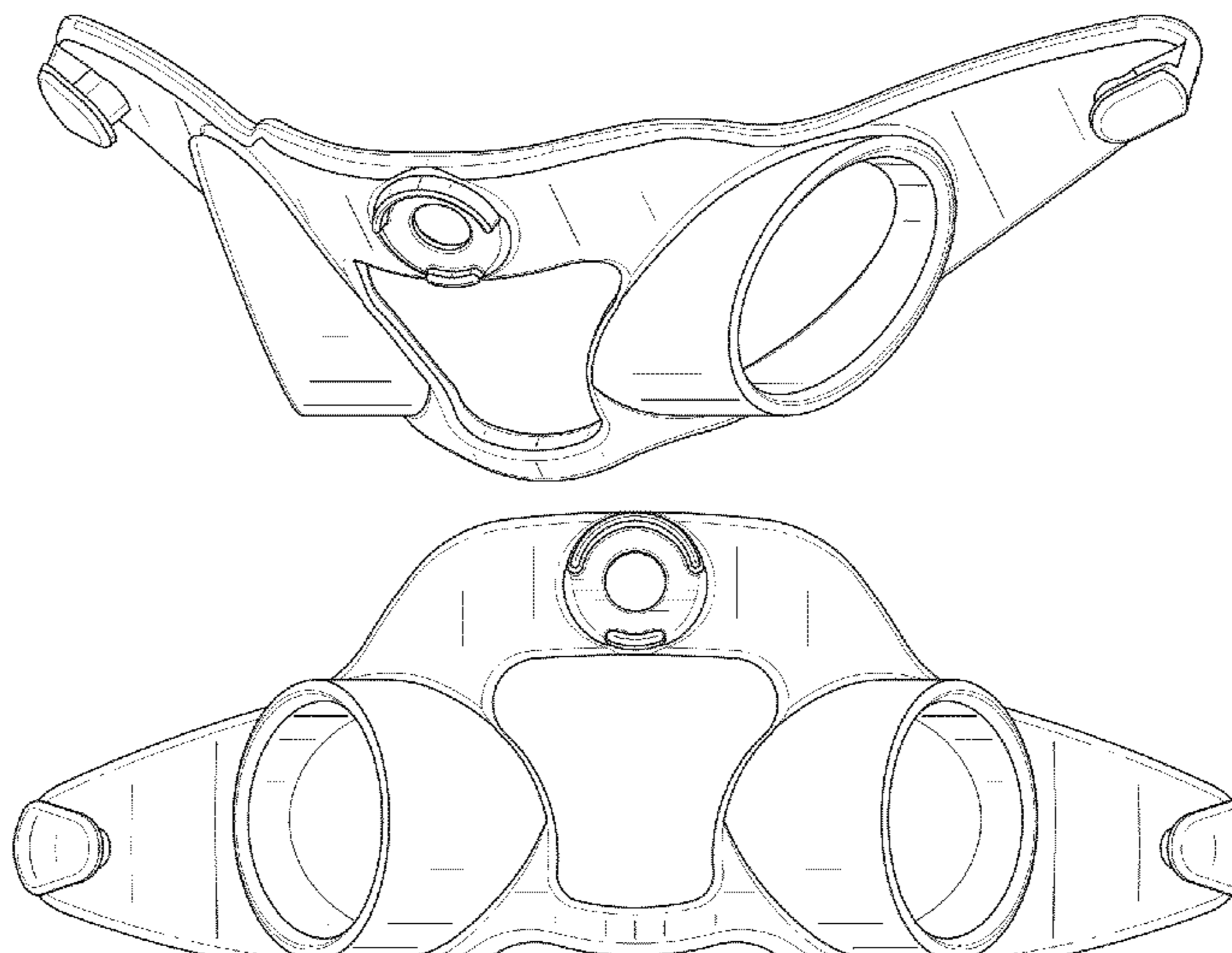
A61M 16/0816; A61M 16/08; A61M 16/0633;

A61M 16/06; A61M 16/0666; A61M

2210/0618; A61M 16/0683

See application file for complete search history.

1 Claim, 3 Drawing Sheets



(56)

References Cited

U.S. PATENT DOCUMENTS

D546,441 S 7/2007 Hitchcock et al.
 D556,899 S * 12/2007 Veliss D24/110.1
 D557,409 S * 12/2007 Veliss D24/110.1
 7,318,437 B2 1/2008 Gunaratnam et al.
 D580,048 S * 11/2008 Guney D24/110.1
 D586,907 S 2/2009 Judson et al.
 D586,911 S 2/2009 McAuley et al.
 D588,258 S 3/2009 Judson et al.
 D591,419 S 4/2009 Chandran et al.
 D595,841 S 7/2009 McAuley et al.
 D600,343 S * 9/2009 Degabriele D24/110.1
 D612,481 S * 3/2010 Reid D24/110.1
 D612,482 S * 3/2010 Degabriele D24/110.1
 D623,288 S 9/2010 Lubke et al.
 D637,279 S 5/2011 Scheiner et al.
 D648,845 S * 11/2011 Omura D24/110.1
 D648,846 S 11/2011 Omura et al.
 D650,064 S 12/2011 Gunaratnam et al.
 D656,607 S 3/2012 Gunaratnam et al.
 D665,494 S 8/2012 Stallard et al.
 D668,328 S 10/2012 Hill et al.
 D673,259 S 12/2012 Davidson et al.
 D681,191 S * 4/2013 Shick D24/110.1
 D683,446 S * 5/2013 Eves D24/110.4
 D683,447 S * 5/2013 Olsen D24/110.1
 D685,463 S 7/2013 Veliss et al.
 D689,602 S * 9/2013 Amirav D24/110

D691,712 S * 10/2013 Judson D24/110.1
 D693,459 S 11/2013 Prentice et al.
 D696,396 S * 12/2013 Eves D24/110.4
 D696,767 S 12/2013 Scheiner et al.
 D708,736 S * 7/2014 Judson D24/110.5
 D709,181 S * 7/2014 Henry D24/110.1
 2003/0196655 A1 10/2003 Ging et al.
 2004/0226566 A1 * 11/2004 Gunaratnam A61M 16/0666
 128/207.18
 2005/0172969 A1 8/2005 Ging et al.
 2005/0199242 A1 * 9/2005 Matula A61M 16/06
 128/207.13
 2005/0241644 A1 * 11/2005 Gunaratnam A61M 16/06
 128/207.18
 2006/0137690 A1 6/2006 Gunaratnam et al.
 2009/0044808 A1 2/2009 Guney et al.
 2009/0126739 A1 5/2009 Ng et al.
 2009/0139527 A1 6/2009 Ng et al.
 2009/0151729 A1 * 6/2009 Judson A61M 16/0683
 128/207.13
 2009/0183739 A1 7/2009 Wondka
 2009/0241961 A1 10/2009 McAuley et al.
 2010/0313891 A1 * 12/2010 Veliss A61M 16/06
 128/206.26
 2011/0265796 A1 * 11/2011 Amarasinghe A61M 16/06
 128/206.28
 2012/0067349 A1 * 3/2012 Barlow A61M 16/06
 128/205.25
 2013/0220327 A1 * 8/2013 Barlow A61M 16/0683
 128/205.25

* cited by examiner

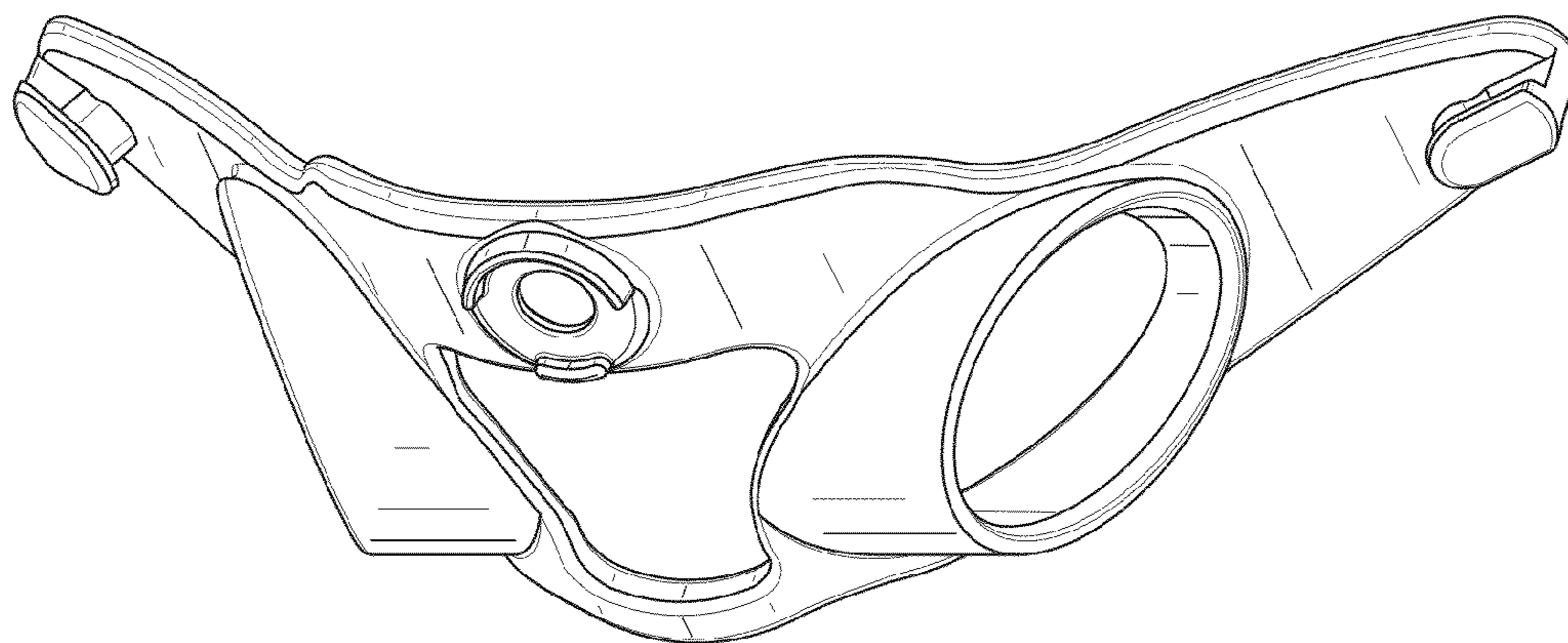


Figure 1

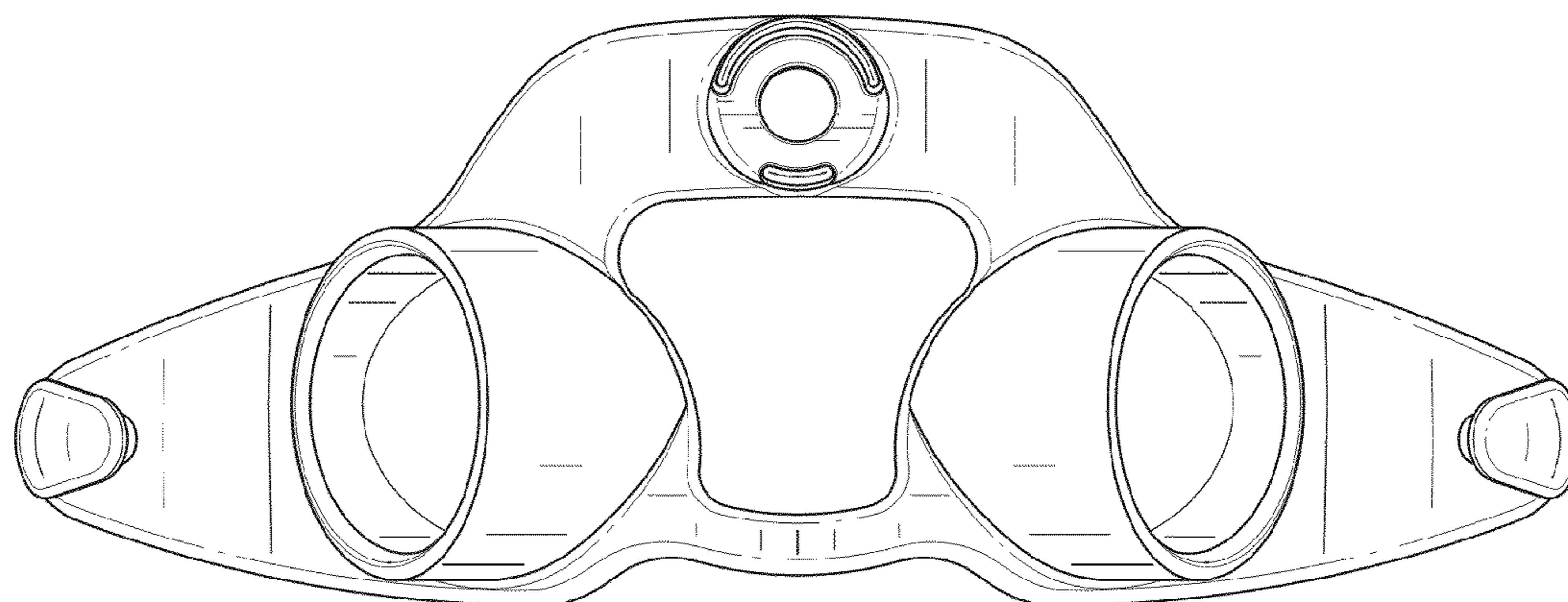


Figure 2

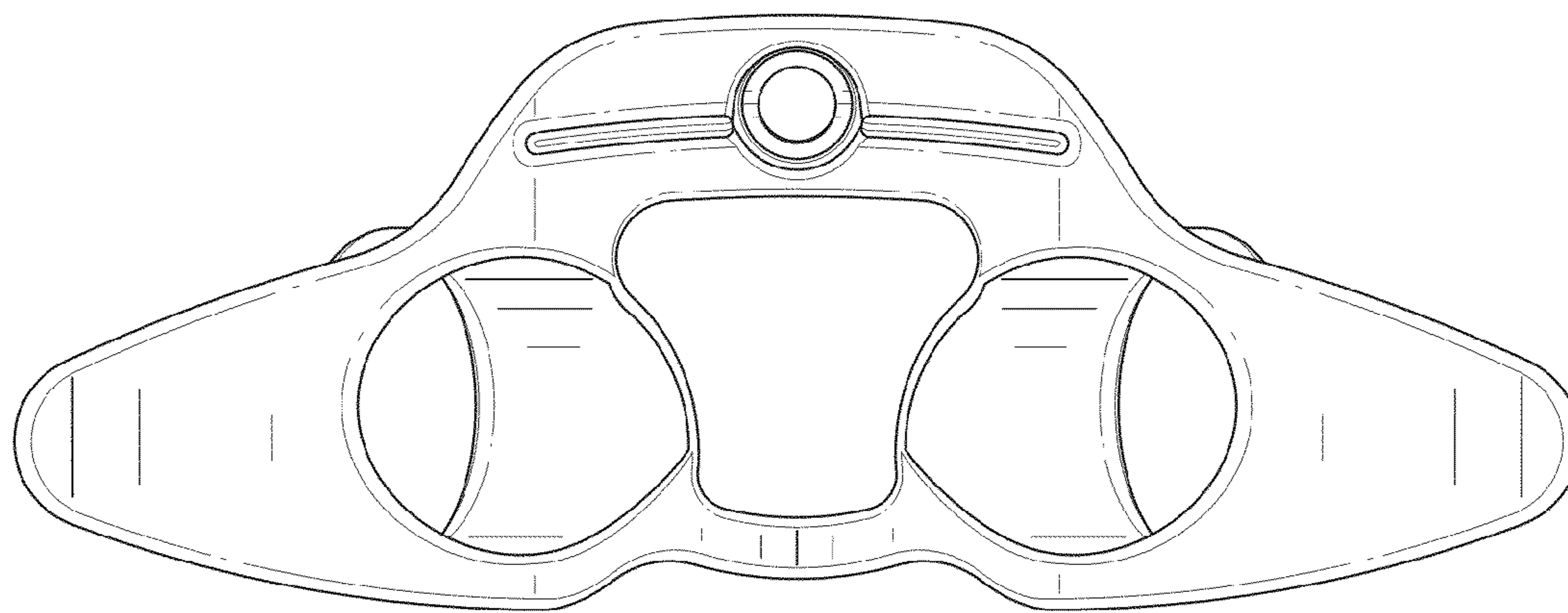


Figure 3

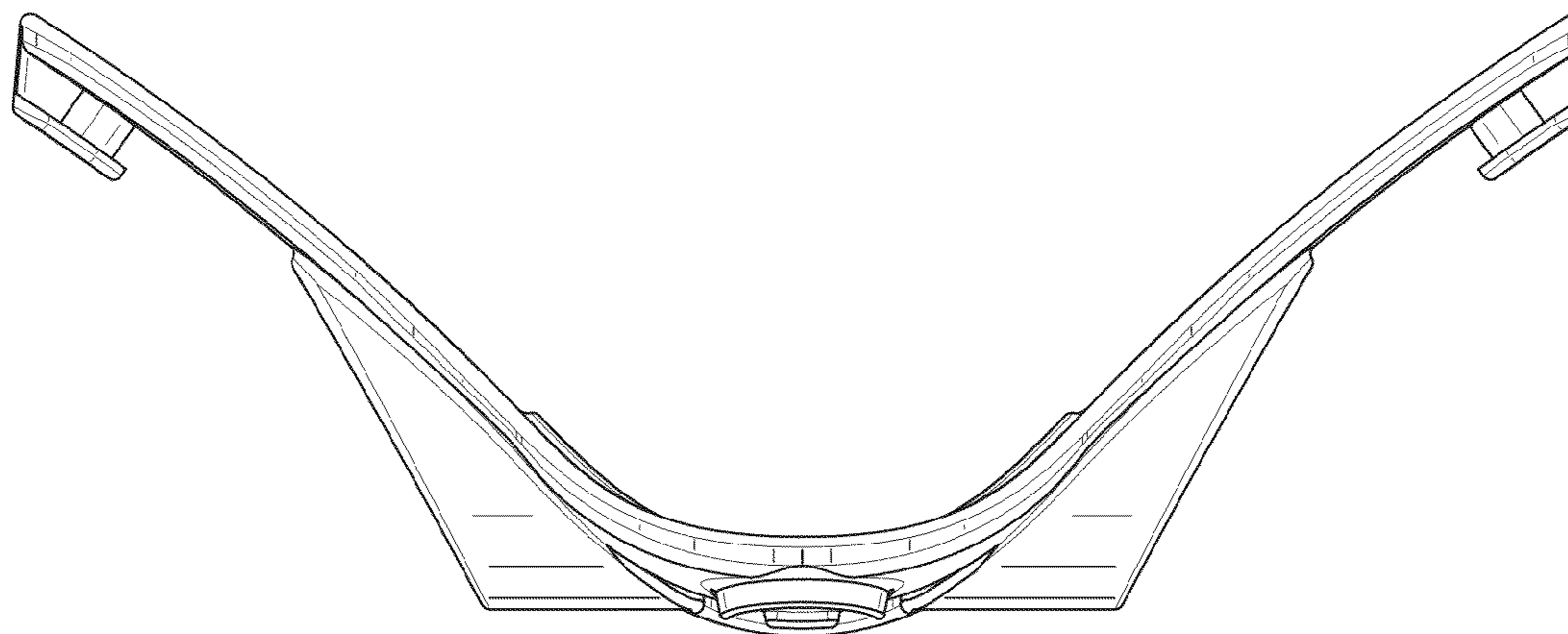


Figure 4

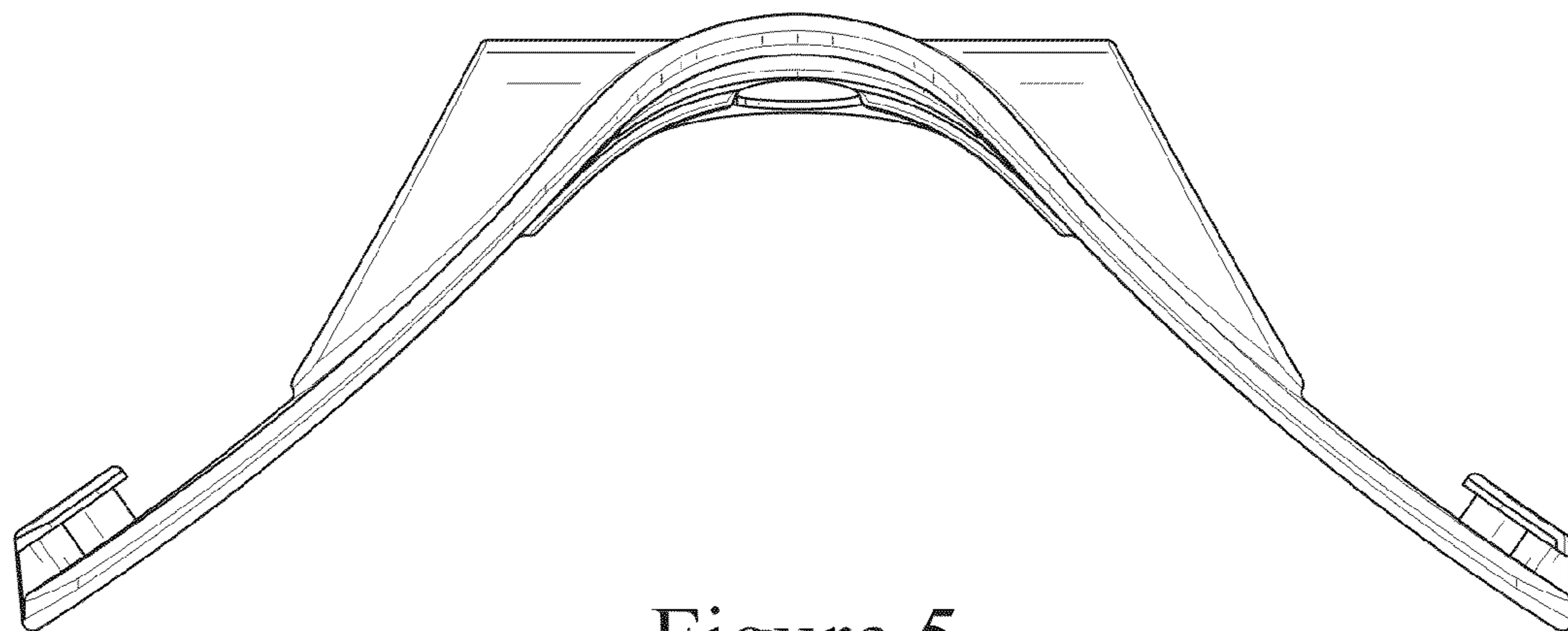


Figure 5

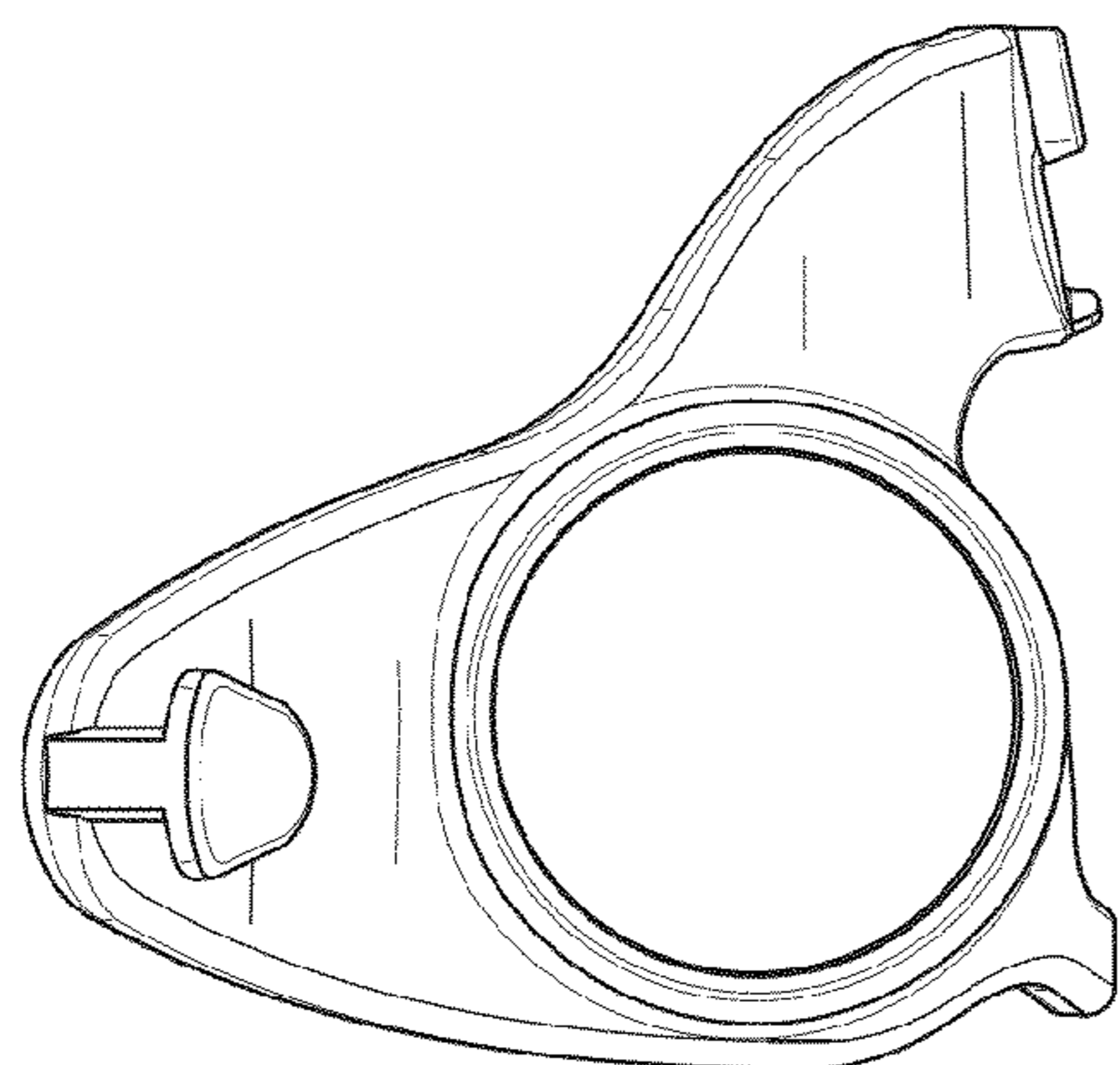


Figure 6

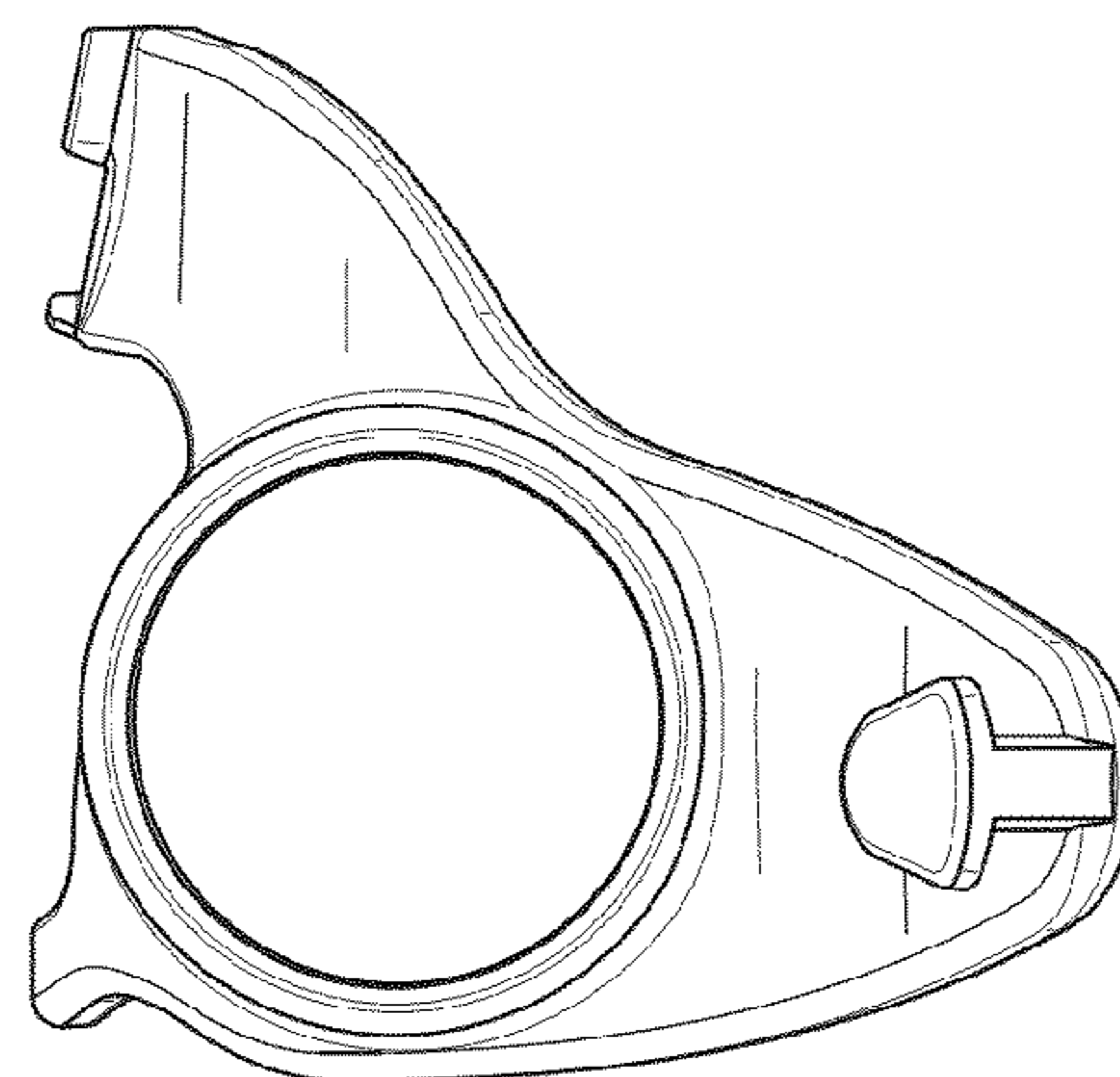


Figure 7