



US00D757249S

(12) **United States Design Patent**
Xu

(10) **Patent No.:** **US D757,249 S**
(45) **Date of Patent:** **** May 24, 2016**

(54) **RESPIRATOR MASK**

(71) Applicant: **Lu Xu**, Fujian (CN)

(72) Inventor: **Lu Xu**, Fujian (CN)

(**) Term: **14 Years**

(21) Appl. No.: **29/514,422**

(22) Filed: **Jan. 13, 2015**

(51) **LOC (10) Cl.** **29-02**

(52) **U.S. Cl.**
USPC **D24/110.1**

(58) **Field of Classification Search**
USPC D24/110-110.6, 127, 129, 164
CPC A61M 16/0622; A61M 16/0616;
A61M 16/06; A62B 23/00; A62B 19/00;
A62B 7/10; A62B 23/02; A62B 18/02;
A62B 18/025; A62B 23/025

See application file for complete search history.

(56) **References Cited**

U.S. PATENT DOCUMENTS

- 2,915,060 A * 12/1959 Miner A62B 18/084
128/207.11
- 2,964,038 A * 12/1960 Silverman A62B 23/025
128/206.15
- 3,137,296 A * 6/1964 Gurtowski A41D 13/1146
128/206.12
- 4,630,604 A * 12/1986 Montesi A62B 18/025
128/206.15
- D294,410 S * 2/1988 Montesi D24/110.1
- 4,723,542 A * 2/1988 Giffard A41D 13/1146
128/206.15
- D569,969 S * 5/2008 Lin D24/110.1
- D570,474 S * 6/2008 Lin D24/110.1

- D613,851 S * 4/2010 Pilgrim D24/110.1
- D677,780 S * 3/2013 Choi D24/110.1
- 2009/0217926 A1 * 9/2009 Hine A62B 18/02
128/201.25
- 2011/0011404 A1 * 1/2011 Forbes A62B 17/04
128/206.15
- 2012/0260920 A1 * 10/2012 Choi A62B 18/025
128/206.12
- 2016/0001101 A1 * 1/2016 Sabolis A62B 18/02
128/863

* cited by examiner

Primary Examiner — Barbara Fox

Assistant Examiner — Lilyana Bekic

(74) *Attorney, Agent, or Firm* — Alan D. Kamrath; Kamrath IP Lawfirm, P.A.

(57) **CLAIM**

The ornamental design for a respirator mask, as shown and described.

DESCRIPTION

FIG. 1 is a perspective view of a respirator mask showing my design;

FIG. 2 is a front elevational view thereof;

FIG. 3 is a rear elevational view thereof;

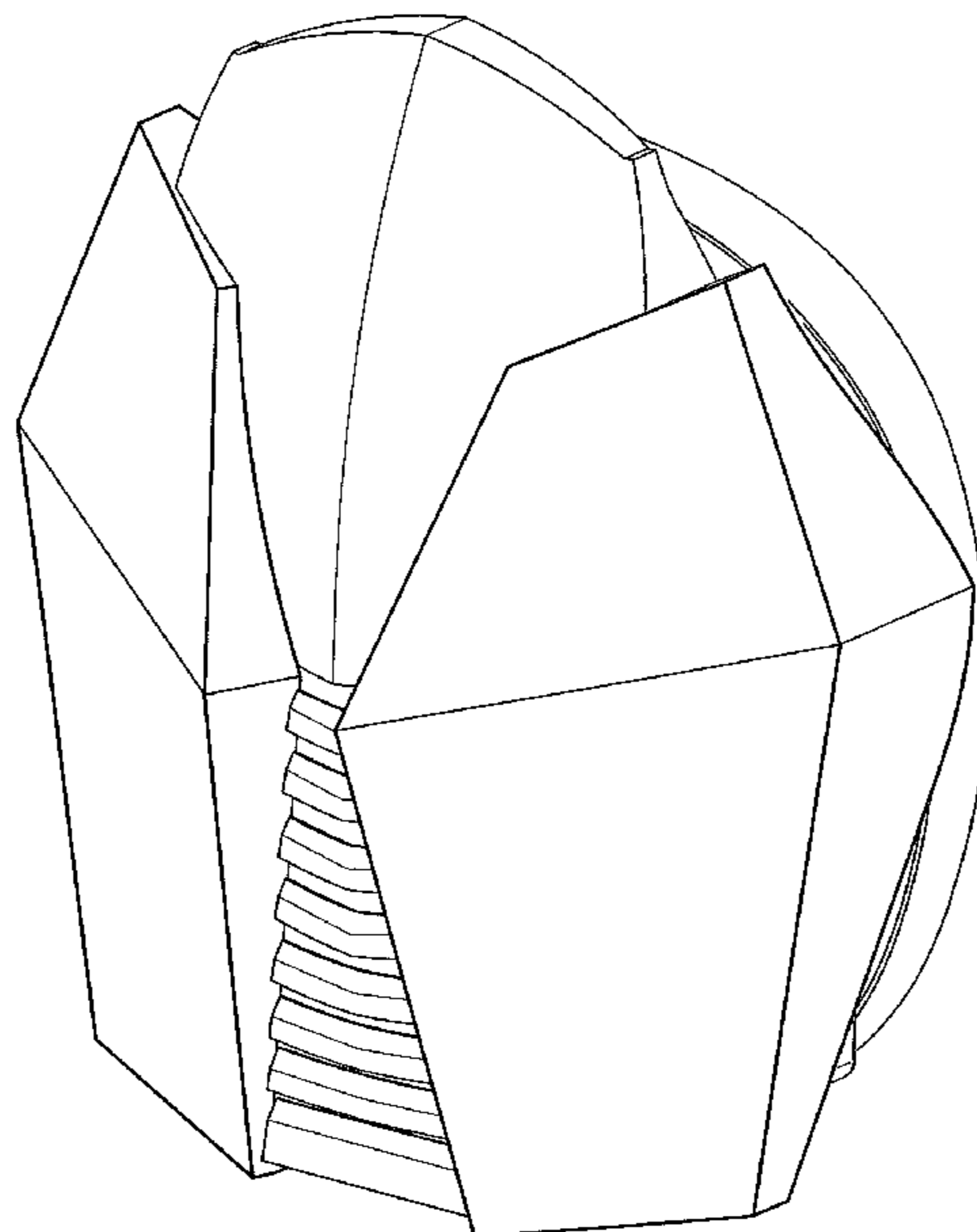
FIG. 4 is a left elevational view thereof, the right elevational view being a mirror image thereof;

FIG. 5 is a top plan view thereof; and,

FIG. 6 is a bottom plan view thereof.

The broken lines in the drawings are included for the purpose of illustrating portions of the respirator mask that form no part of the claimed design.

1 Claim, 6 Drawing Sheets



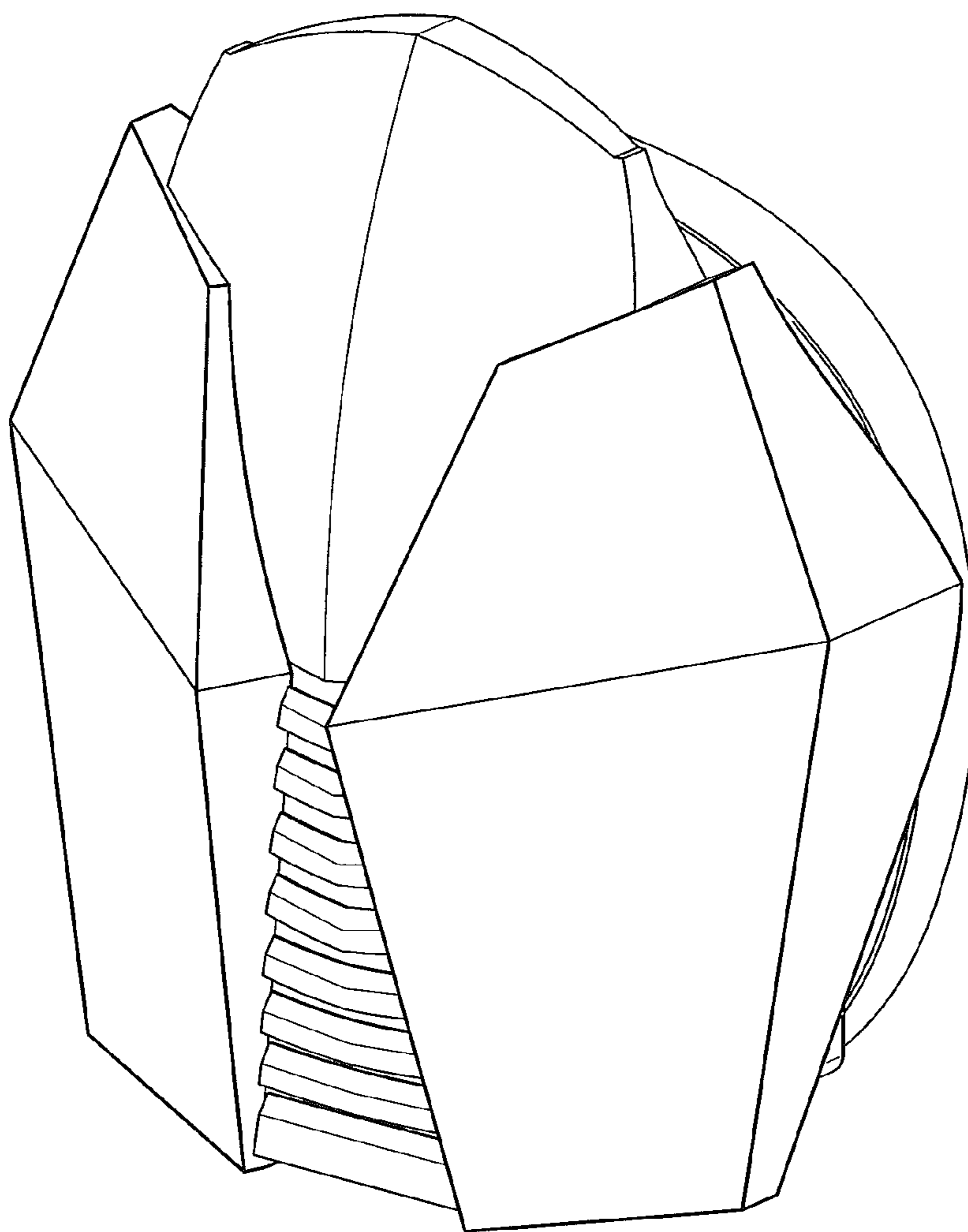


FIG.1

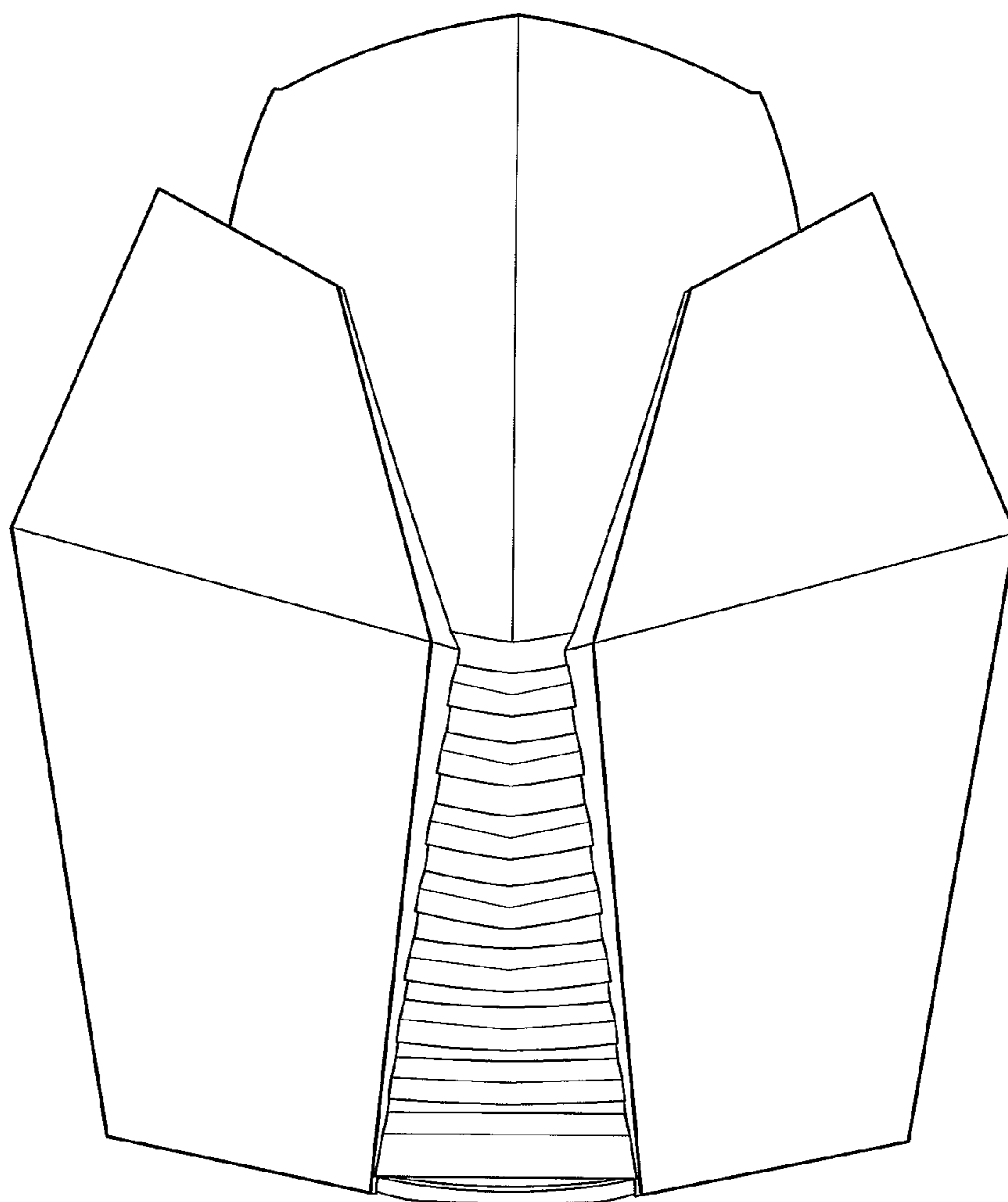


FIG.2

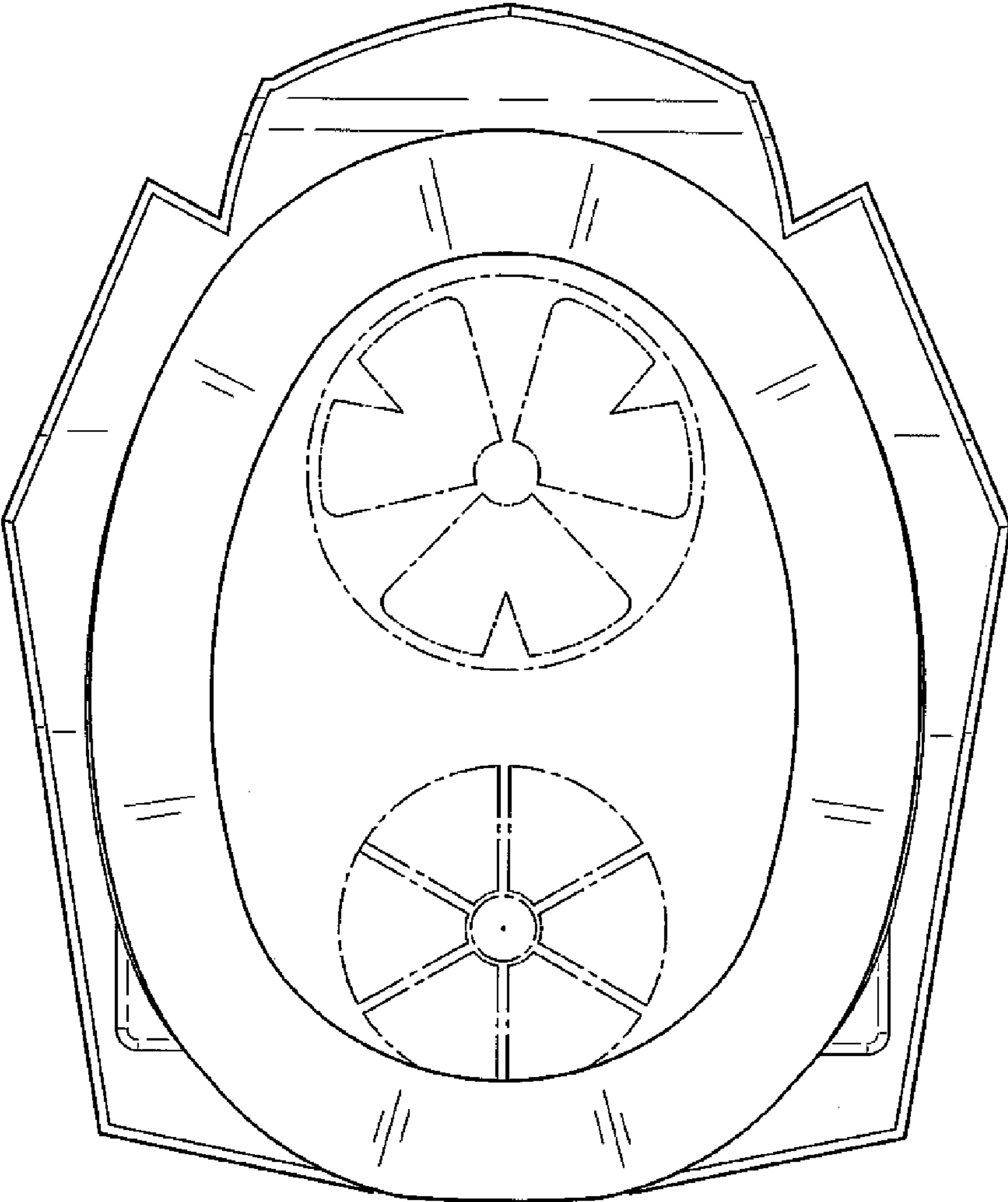


FIG.3

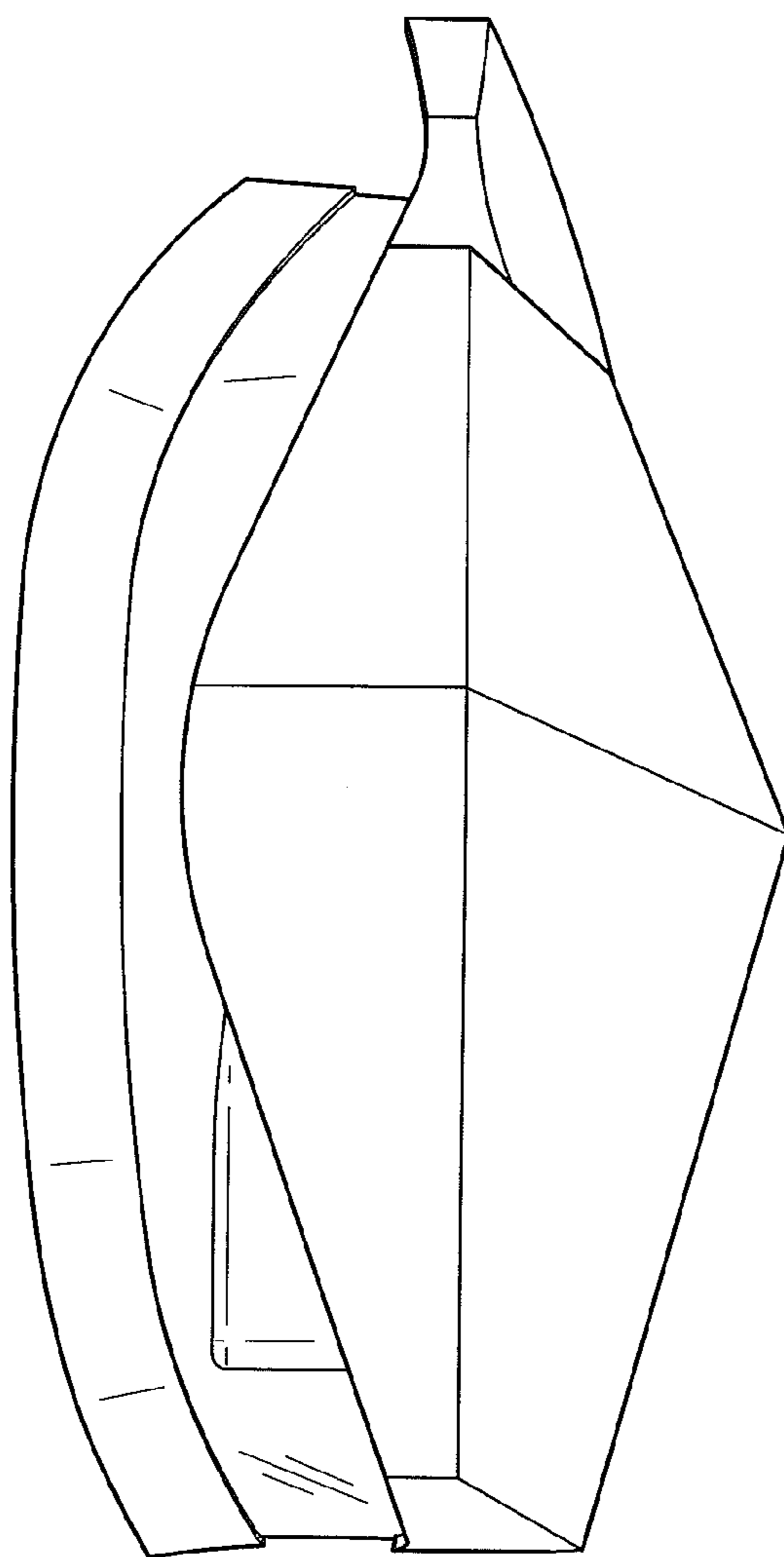


FIG.4

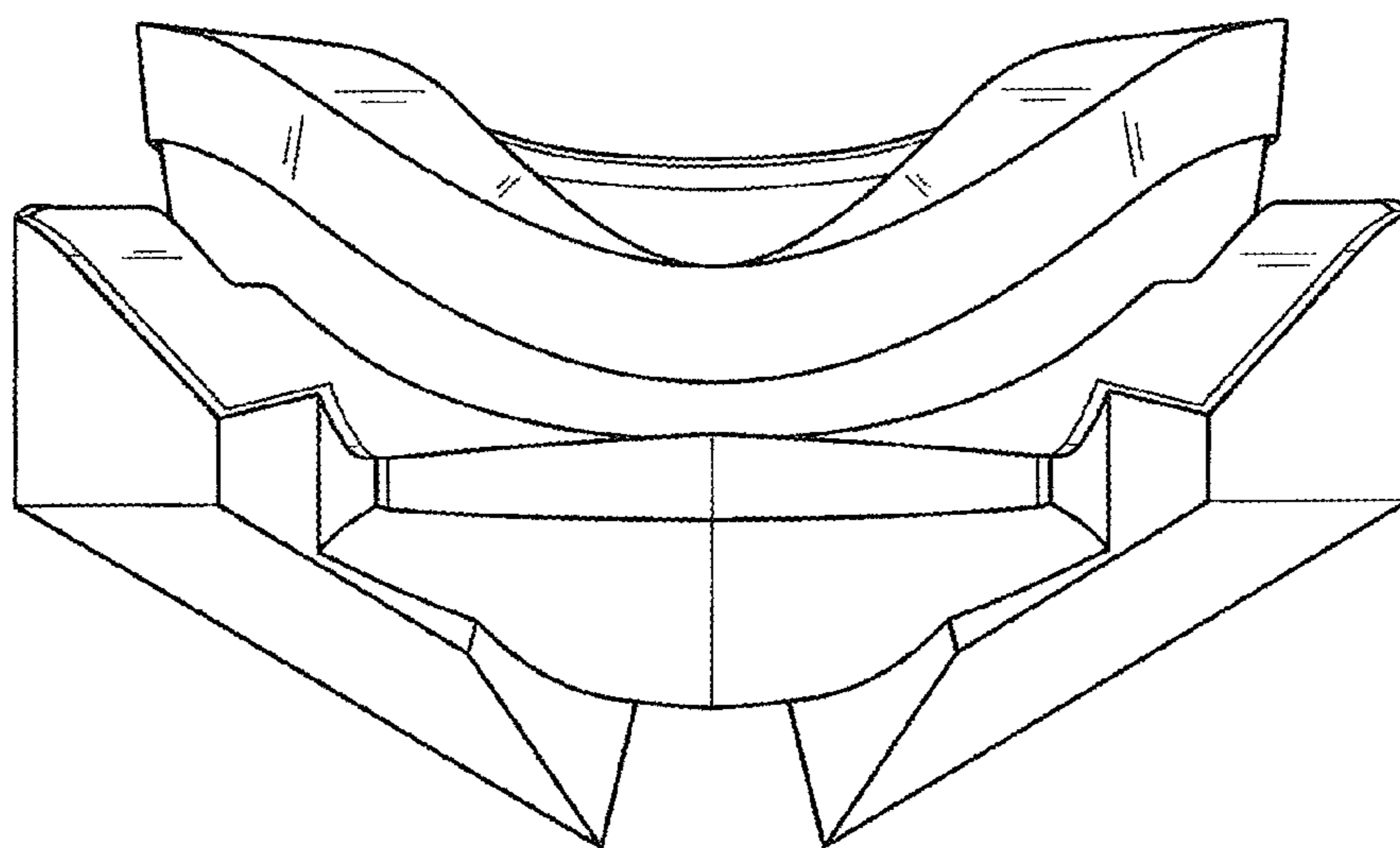


FIG.5

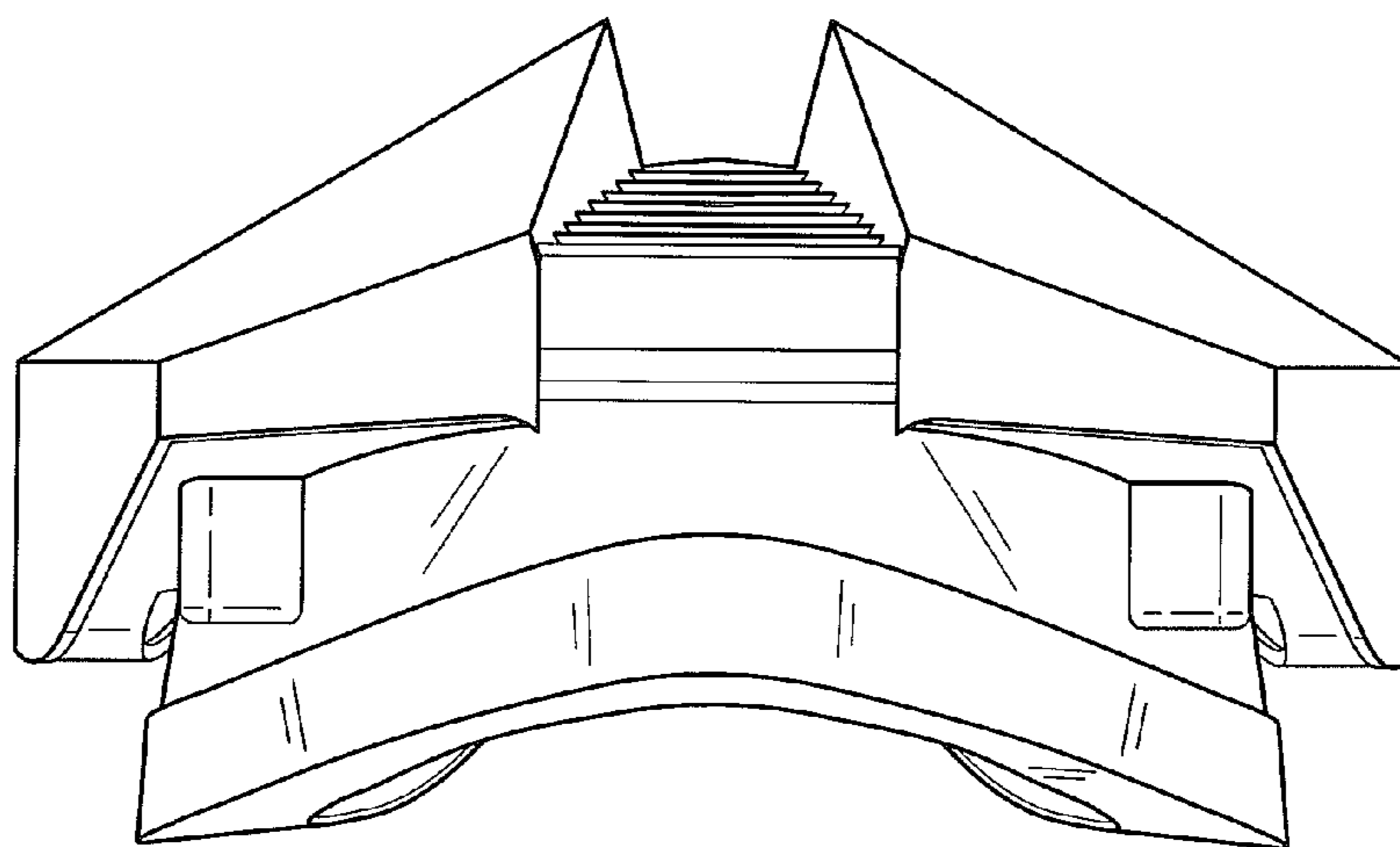


FIG.6