



US00D757248S

(12) **United States Design Patent**
Fleming et al.

(10) **Patent No.:** **US D757,248 S**
(45) **Date of Patent:** **** May 24, 2016**

(54) **RESPIRATORY MASK FILTER**
(71) Applicant: **JSP Ltd**, Oxford (GB)
(72) Inventors: **Richard James Fleming**, Oxford (GB);
Matthew Neal Judson, Oxford (GB);
Clive Johnstone, Oxford (GB)
(73) Assignee: **JSP LTD**, Minster Lovell, Oxford (GB)
(**) Term: **14 Years**
(21) Appl. No.: **29/492,212**
(22) Filed: **May 29, 2014**
(51) **LOC (10) Cl.** **29-02**
(52) **U.S. Cl.**
USPC **D24/110.1**
(58) **Field of Classification Search**
USPC D24/110, 110.1–110.5, 127, 162;
D29/108
CPC A62B 23/02; A62B 7/10; A62B 18/025;
A62B 19/00; A62B 18/08; A62B 18/02;
A62B 23/00; A62B 18/00; A62B 18/084;
A41D 13/11; A61M 16/105; A61M 16/047
See application file for complete search history.

2002/0069762 A1* 6/2002 Estkowski A62B 23/02
96/135
2002/0092522 A1* 7/2002 Fabin A62B 17/04
128/201.23
2002/0195108 A1* 12/2002 Mittelstadt A61M 16/06
128/206.15
2002/0195109 A1* 12/2002 Mittelstadt F16K 15/16
128/206.15
2004/0055604 A1* 3/2004 Viner A62B 23/02
128/206.16
2006/0196157 A1* 9/2006 Greer A62B 23/02
55/500
2014/0224256 A1* 8/2014 Skov A62B 18/02
128/206.17
2014/0345607 A1* 11/2014 Skov A62B 7/10
128/202.22
2015/0202473 A1* 7/2015 Curran A62B 18/006
128/202.27
2015/0217144 A1* 8/2015 Skov A62B 18/02
128/202.27
2015/0217146 A1* 8/2015 Skov A62B 23/025
128/202.27

* cited by examiner

Primary Examiner — Deanna L Pratt
Assistant Examiner — Lilyana Bekic
(74) *Attorney, Agent, or Firm* — King & Schickli, PLLC

(56) **References Cited**

U.S. PATENT DOCUMENTS

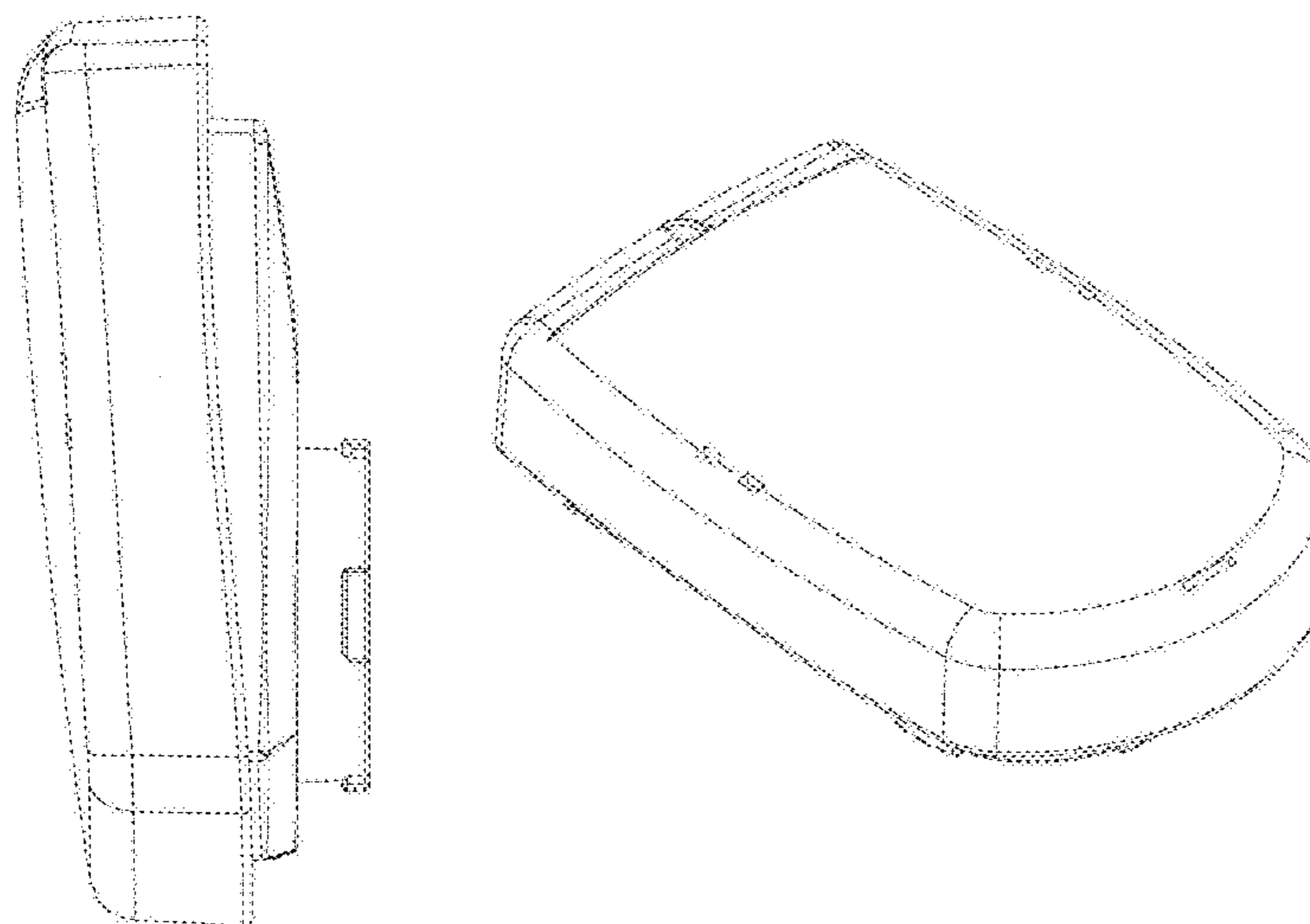
2,205,368 A * 6/1940 Whipple A62B 23/02
128/206.16
4,088,461 A * 5/1978 Brauer B01D 53/26
128/206.17
5,647,356 A * 7/1997 Osendorf A62B 27/00
128/202.27
7,497,217 B2* 3/2009 Viner A62B 23/02
128/205.27
7,849,856 B2* 12/2010 Mittelstadt F16K 15/16
128/205.15
8,460,423 B2* 6/2013 Legare A62B 7/10
128/205.27
8,984,753 B2* 3/2015 Billingsley A62B 19/00
29/458

(57) **CLAIM**
The ornamental design for a respiratory mask filter, as shown and described.

DESCRIPTION

FIG. 1 is a front elevation view of the invention;
FIG. 2 is a rear elevation view of the invention;
FIG. 3 is a left elevation view of the invention;
FIG. 4 is a right elevation view of the invention;
FIG. 5 is a top plan view of the invention;
FIG. 6 is bottom plan view of the invention; and,
FIG. 7 is a perspective view of the invention.
The broken lines illustrate portions of the respiratory mask filter which form no part of the claimed, design.

1 Claim, 7 Drawing Sheets



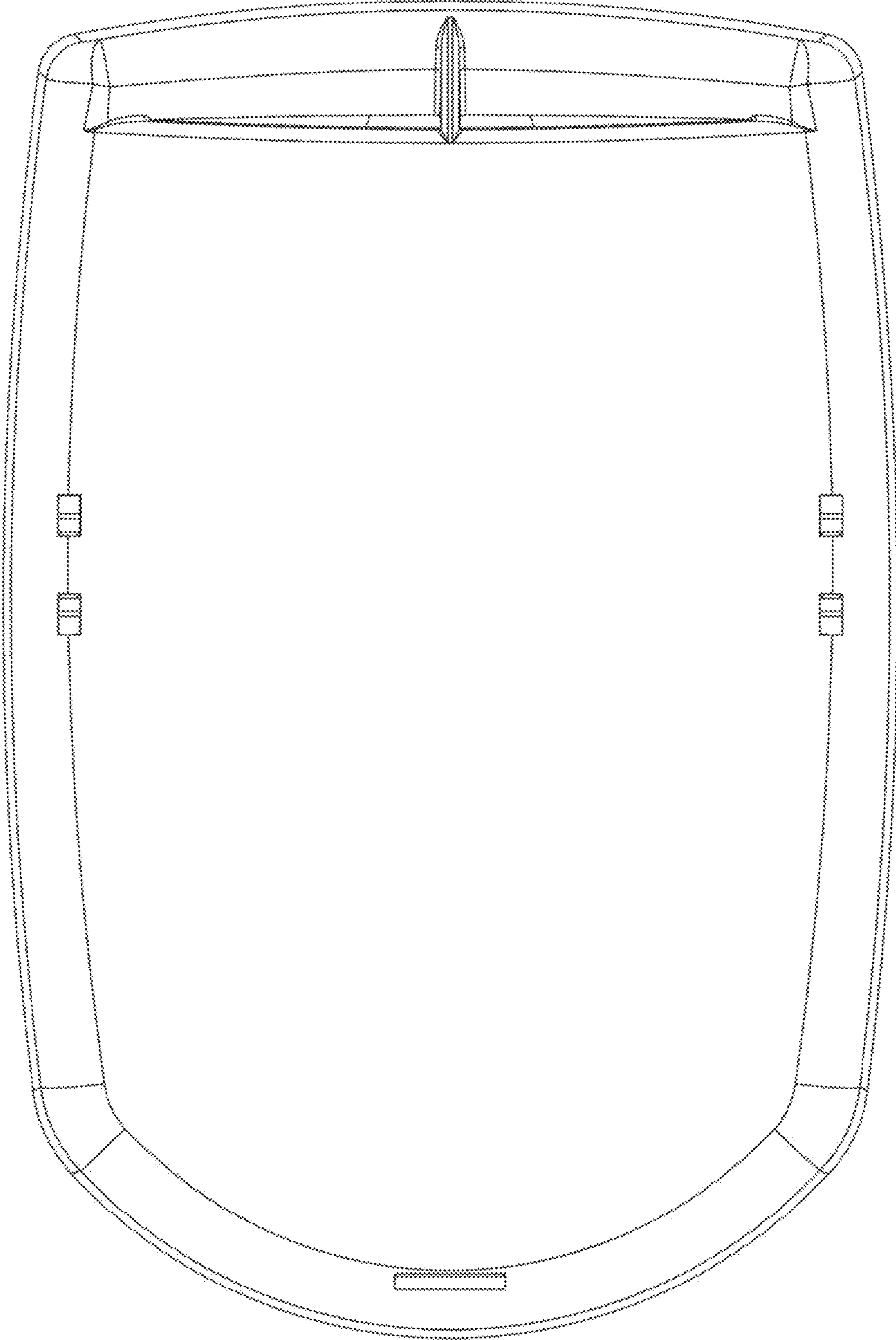


FIG. 1

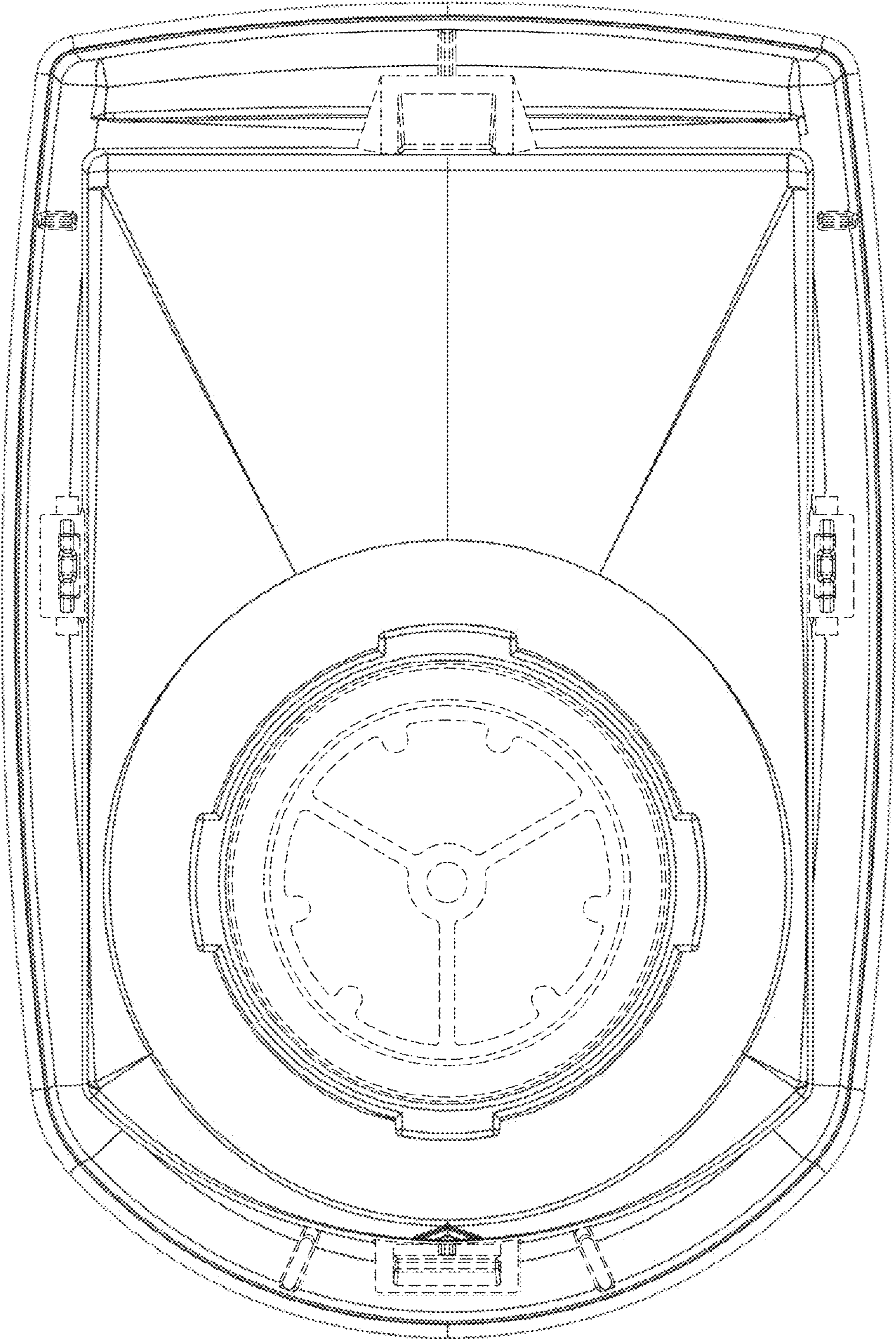


FIG. 2

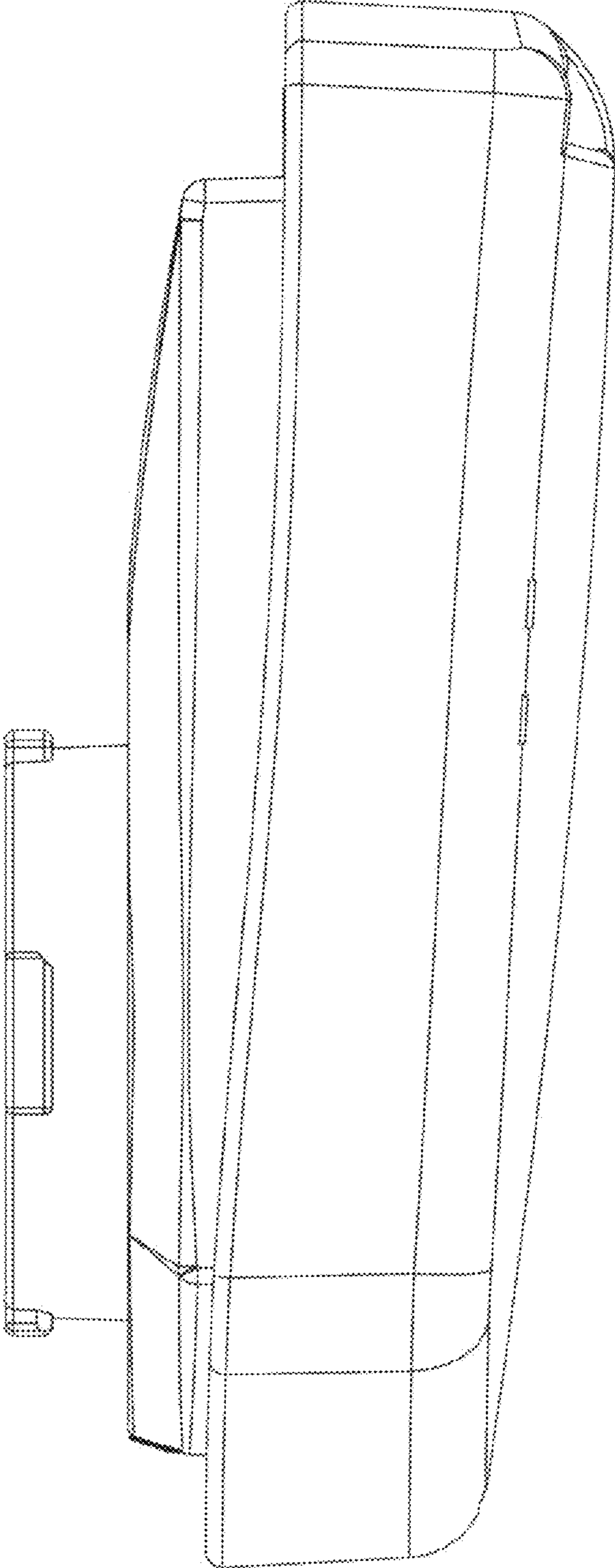


FIG. 3

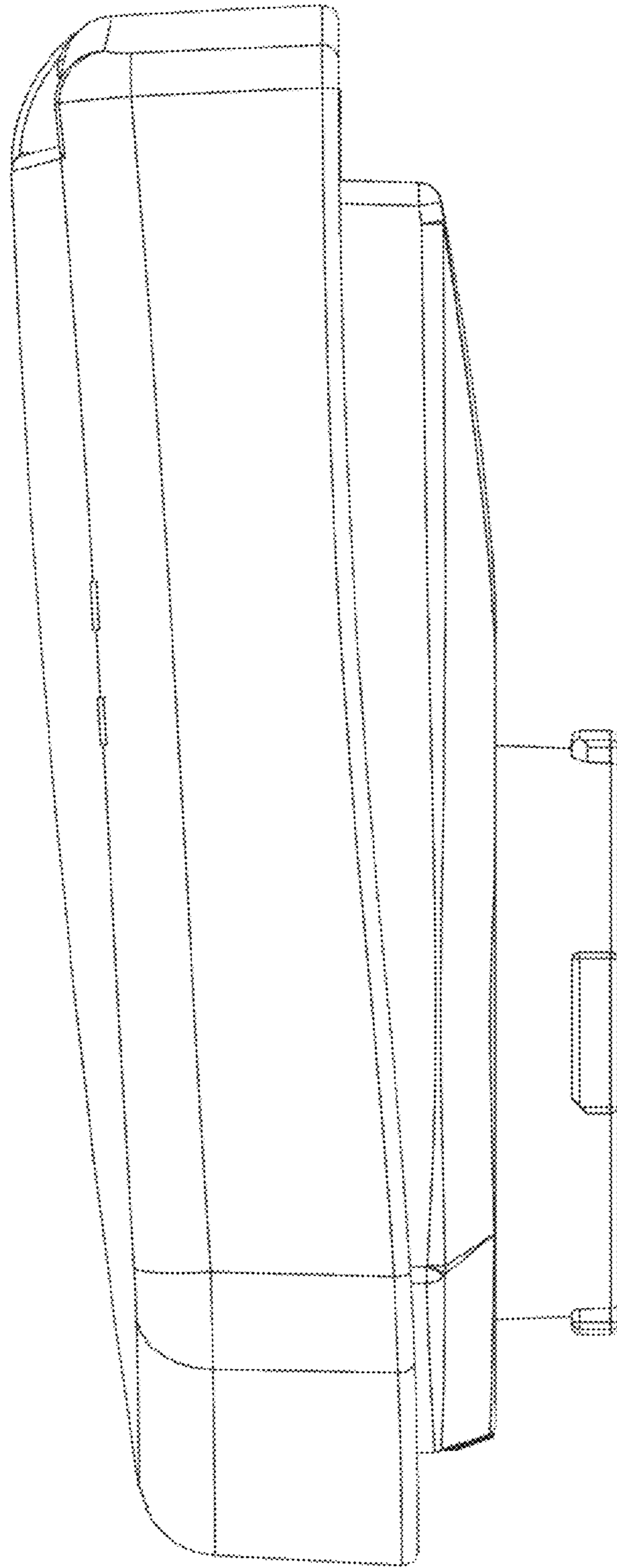


FIG. 4

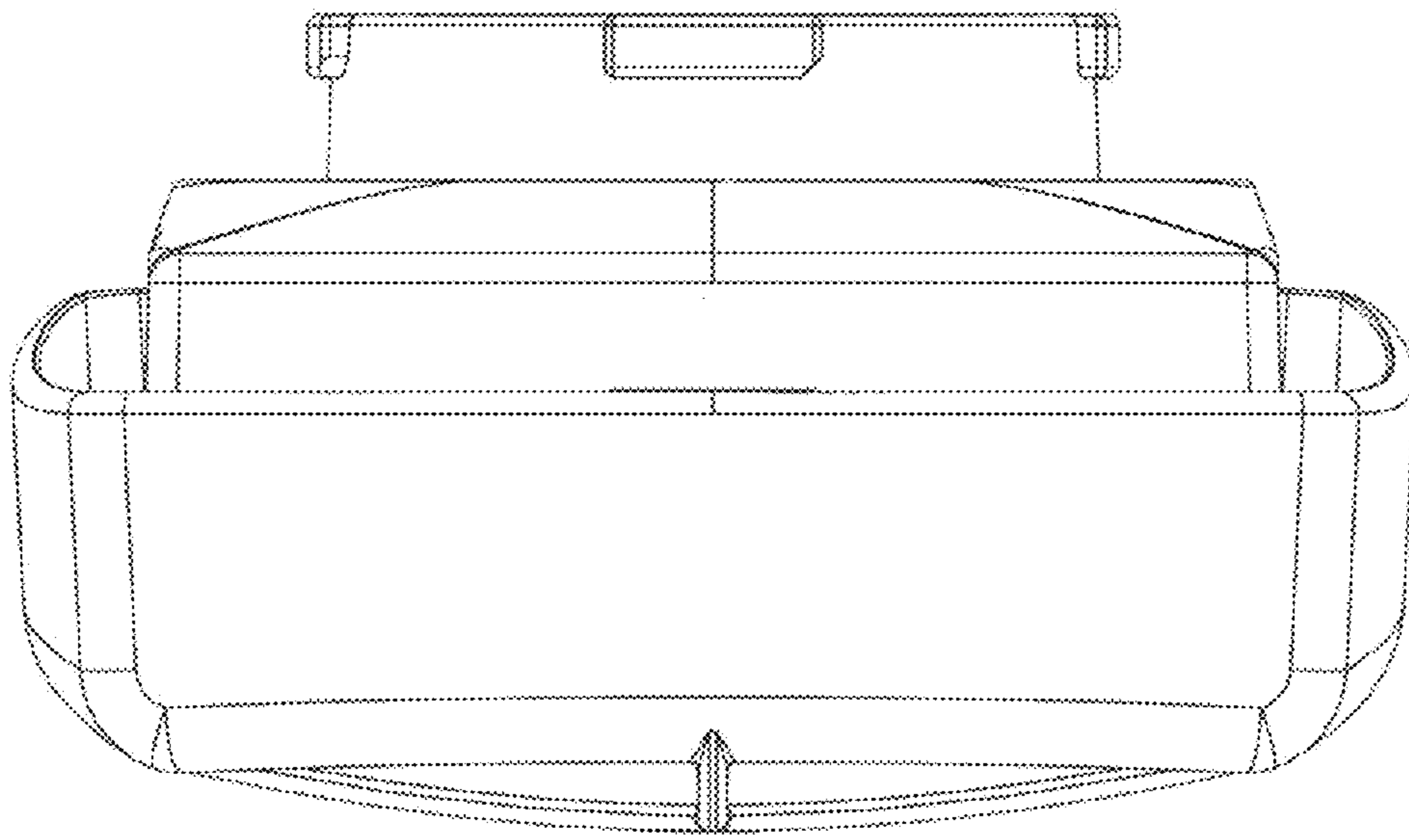


FIG. 5

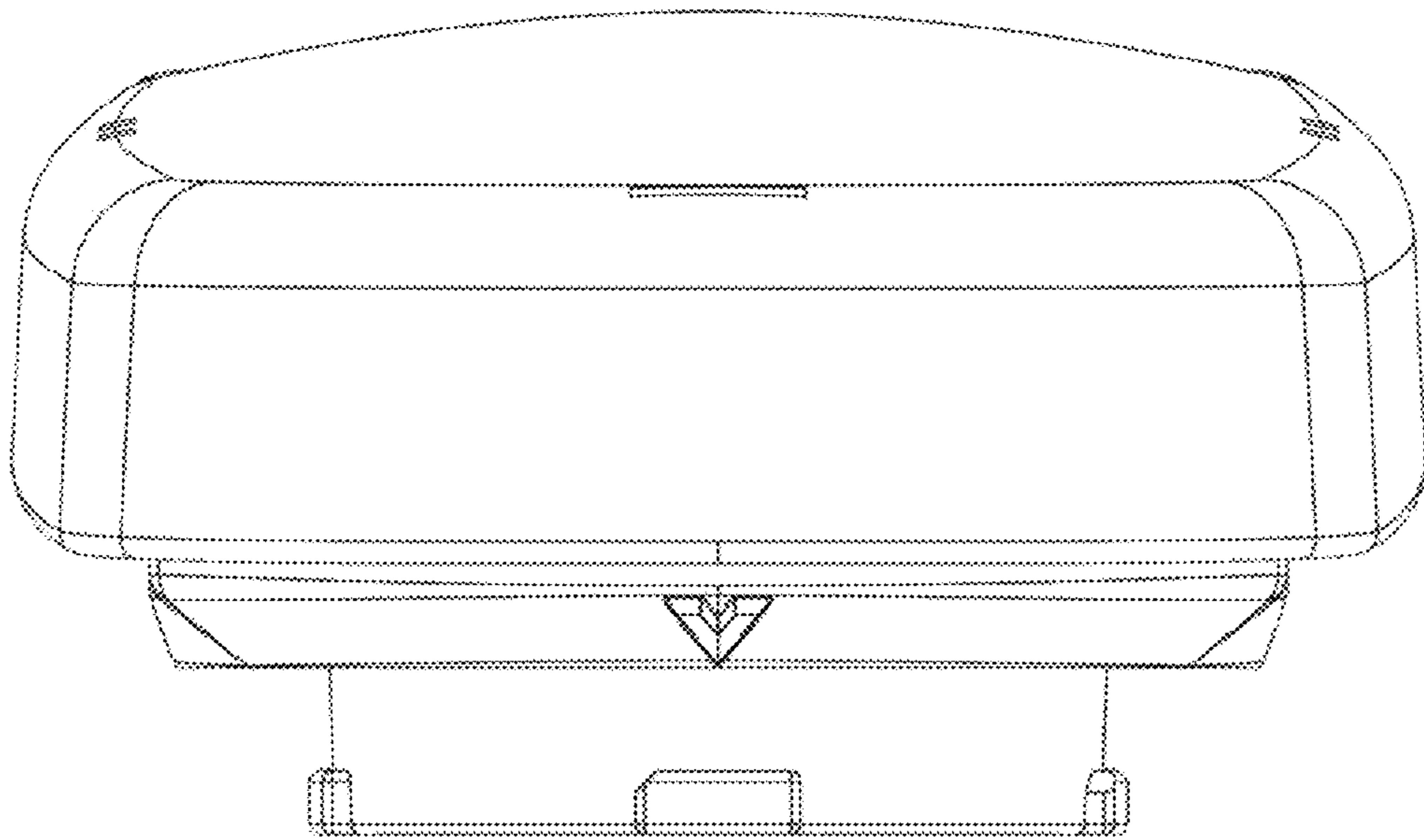


FIG. 6

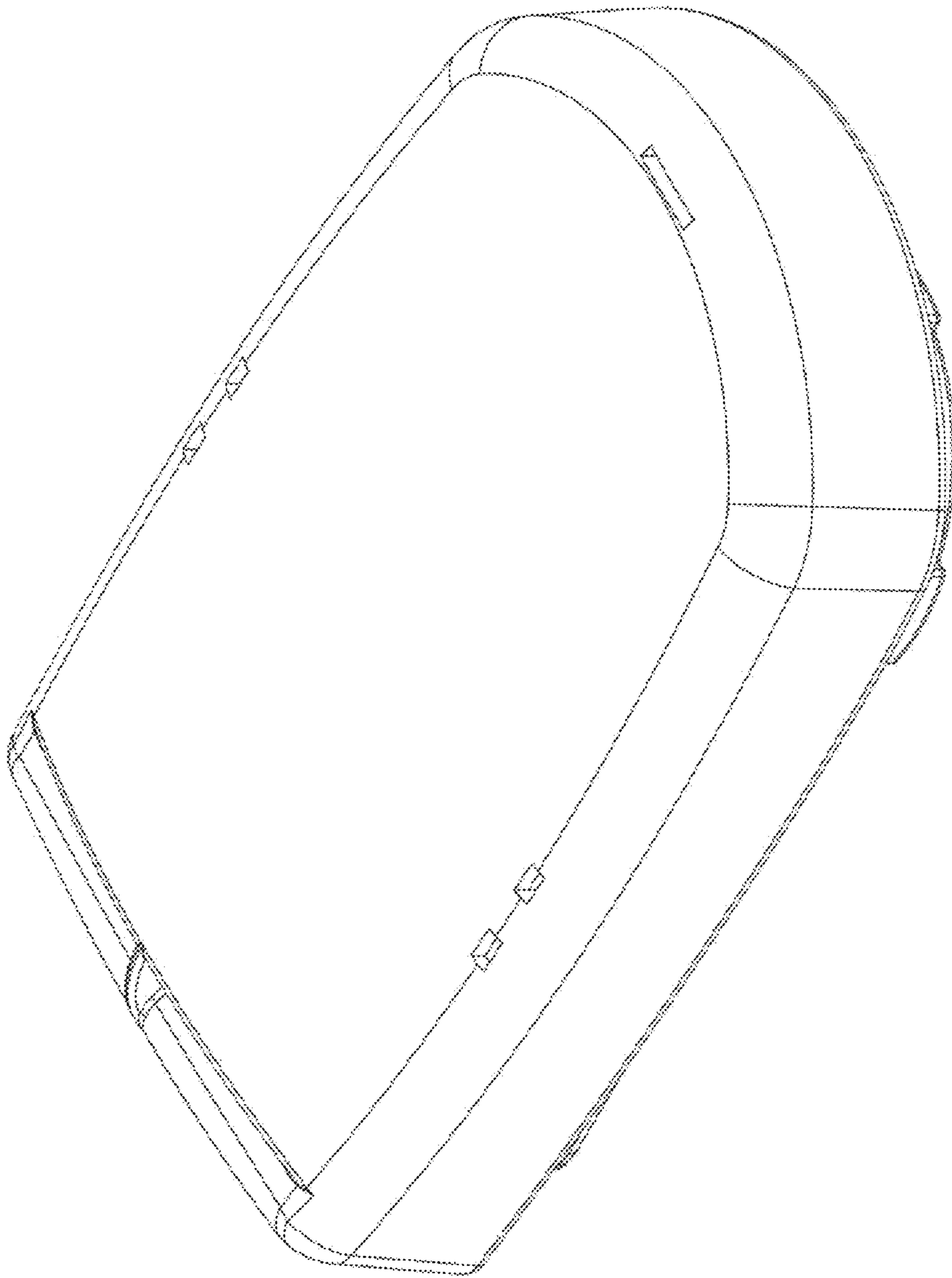


FIG. 7