

US00D757247S

(12) **United States Design Patent**
Dwyer et al.

(10) **Patent No.:** **US D757,247 S**

(45) **Date of Patent:** **** *May 24, 2016**

- (54) **RESPIRATOR CARTRIDGE**
- (71) Applicant: **3M INNOVATIVE PROPERTIES COMPANY**, St. Paul, MN (US)
- (72) Inventors: **Gary E. Dwyer**, Mallorytown (CA); **Pierre Legare**, Brockville (CA); **Mark W. Schulz**, Minneapolis, MN (US)
- (73) Assignee: **3M Innovative Properties Company**, St. Paul, MN (US)
- (*) Notice: This patent is subject to a terminal disclaimer.
- (**) Term: **14 Years**
- (21) Appl. No.: **29/491,532**
- (22) Filed: **May 22, 2014**
- (51) **LOC (10) Cl.** **29-02**
- (52) **U.S. Cl.**
USPC **D24/110.1**
- (58) **Field of Classification Search**
USPC D24/110, 110.1-110.5, 127, 162;
D29/108
CPC A62B 23/02; A62B 7/10; A62B 18/025;
A62B 19/00; A62B 18/08; A62B 18/02;
A62B 23/00; A62B 18/00; A62B 18/084;
A41D 13/11; A61M 16/105; A61M 16/047
See application file for complete search history.

- 5,062,421 A 11/1991 Burns
- 5,086,768 A 2/1992 Niemeyer
- 5,148,803 A 9/1992 Schlobohm
- D339,658 S 9/1993 Lahteenmaki.
- RE35,062 E 10/1995 Brostrom
- 5,515,846 A 5/1996 Drews
- 5,579,761 A 12/1996 Yuschak
- 5,611,925 A 3/1997 Yasue

(Continued)

FOREIGN PATENT DOCUMENTS

- CA 82141 10/1997
- CA 106801 12/2005

(Continued)

OTHER PUBLICATIONS

Koken Particulate Respirators webpage, <http://www.koken-ltd.co.jp/english/particulaterespirators.htm>, obtained from internet on Jun. 3, 2013.

Primary Examiner — Deanna L Pratt
Assistant Examiner — Lilyana Bekic
(74) *Attorney, Agent, or Firm* — Peter L. Olson

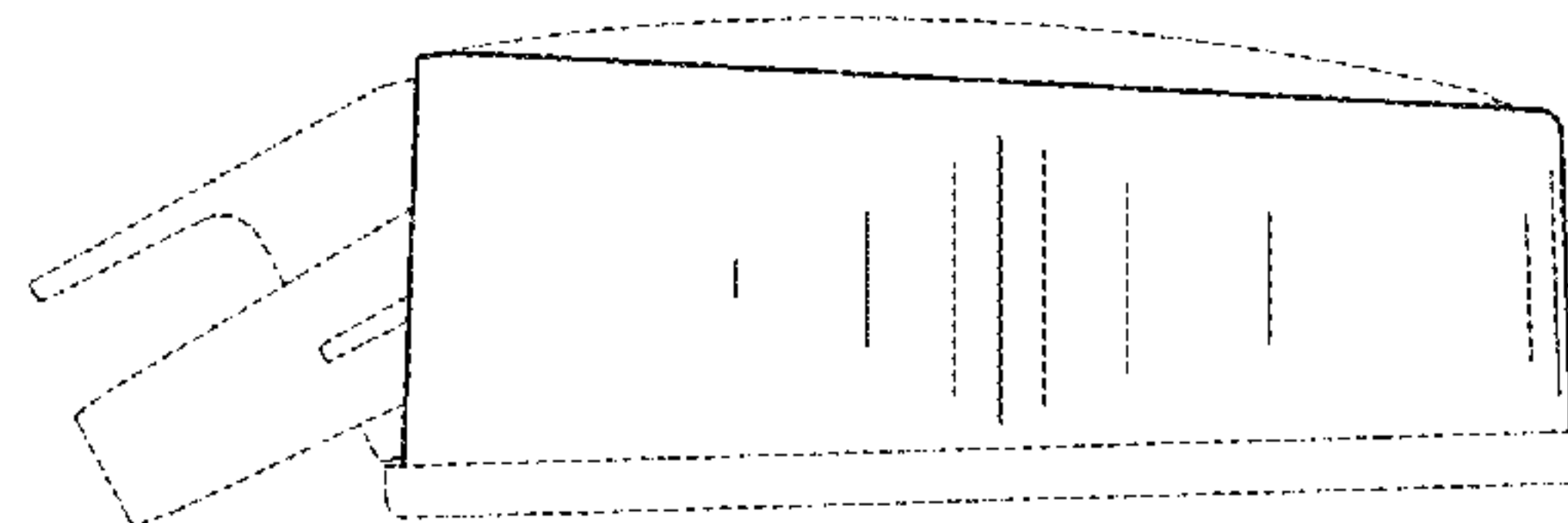
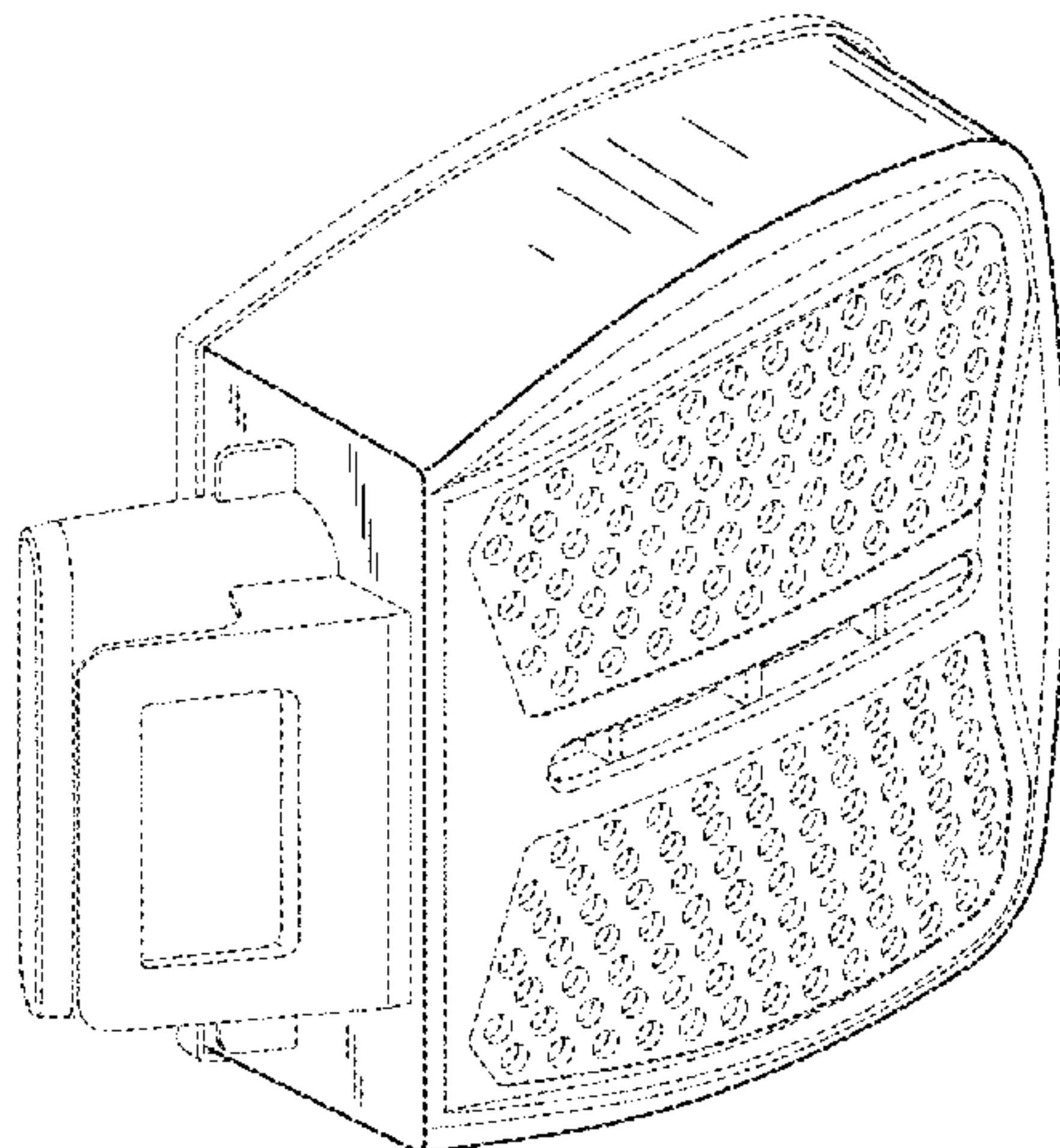
(57) **CLAIM**
The ornamental design for a respirator cartridge, as shown and described.

DESCRIPTION

FIG. 1 is a perspective view showing the new design for a respirator cartridge.
FIG. 2 is a front view thereof;
FIG. 3 is a rear view thereof;
FIG. 4 is a top view thereof, the bottom being a mirror image thereof;
FIG. 5 is a left side view thereof; and,
FIG. 6 is a right side view thereof.
The broken lines in the drawings illustrate portions of the respirator cartridge which form no part of the claimed design.

1 Claim, 3 Drawing Sheets

- (56) **References Cited**
U.S. PATENT DOCUMENTS
- 2,055,853 A 9/1936 Schwartz
- 2,062,834 A 12/1936 Schwartz
- 2,235,624 A 3/1941 Schwartz
- 2,787,333 A 4/1957 Boone
- 4,562,837 A 1/1986 Schlobohm
- D286,213 S 10/1986 Maryyanek
- 4,921,512 A 5/1990 Maryyanek
- 4,932,399 A 6/1990 Cappa



(56)

References Cited

U.S. PATENT DOCUMENTS

5,647,356 A 7/1997 Osendorf
 5,666,949 A 9/1997 Debe
 5,669,375 A 9/1997 Dahrendorf
 5,689,833 A * 11/1997 Allen A62B 18/084
 128/201.15
 5,794,617 A * 8/1998 Brunell A62B 18/084
 128/206.12
 6,176,239 B1 * 1/2001 Grove A62B 18/02
 128/201.15
 6,216,693 B1 4/2001 Rekow
 6,298,849 B1 10/2001 Scholey
 6,550,479 B1 4/2003 Duxbury
 6,575,165 B1 6/2003 Cook
 6,761,169 B2 7/2004 Eswarappa
 6,793,702 B2 9/2004 Eswarappa
 6,874,499 B2 * 4/2005 Viner A62B 23/02
 128/201.25
 D518,571 S 4/2006 Martin
 7,419,526 B2 9/2008 Greer
 7,594,510 B2 * 9/2009 Betz A62B 18/082
 128/205.25
 7,849,856 B2 * 12/2010 Mittelstadt F16K 15/16
 129/205.15
 D677,780 S 3/2013 Choi
 D677,781 S 3/2013 Choi
 D678,508 S 3/2013 Choi
 D683,446 S 5/2013 Eves
 8,460,423 B2 * 6/2013 Legare A62B 7/10
 128/205.27
 D696,396 S 12/2013 Eves
 8,820,326 B2 * 9/2014 Flannigan A62B 18/025
 128/206.12
 8,984,753 B2 * 3/2015 Billingsley A62B 19/00
 29/458
 2001/0013347 A1 8/2001 Rekow
 2002/0069762 A1 * 6/2002 Estkowski A62B 23/02
 96/135
 2002/0092522 A1 * 7/2002 Fabin A62B 17/04
 128/201.23
 2002/0195108 A1 * 12/2002 Mittelstadt A61M 16/06
 128/206.15
 2002/0195109 A1 12/2002 Mittelstadt
 2003/0217752 A1 11/2003 Muller
 2004/0003810 A1 1/2004 Templeton
 2004/0055604 A1 * 3/2004 Viner A62B 23/02
 128/206.16
 2005/0109343 A1 * 5/2005 Flannigan B29C 45/1676
 128/206.17
 2005/0126572 A1 6/2005 Gosweiler
 2005/0145249 A1 * 7/2005 Solyntjes A62B 23/02
 128/205.25
 2006/0254427 A1 * 11/2006 Trend D04H 1/565
 96/154
 2007/0235031 A1 * 10/2007 Betz A62B 18/082
 128/206.21
 2007/0235032 A1 * 10/2007 Betz A62B 18/082
 128/206.24
 2009/0215618 A1 * 8/2009 Fansler C08K 5/17
 502/402
 2010/0206311 A1 * 8/2010 Flannigan A62B 18/025
 128/207.12
 2010/0218761 A1 * 9/2010 Flannigan A62B 18/025
 128/201.19
 2010/0294272 A1 * 11/2010 Holmquist-Brown A62B 18/088
 128/202.22
 2010/0294273 A1 * 11/2010 Rakow A62B 18/088
 128/202.22
 2010/0294274 A1 * 11/2010 Poirier A62B 18/088
 128/202.22
 2011/0094514 A1 * 4/2011 Rakow A62B 18/088
 128/206.12
 2011/0283505 A1 * 11/2011 Billingsley A62B 19/00
 29/428

2011/0284006 A1 * 11/2011 Legare A62B 7/10
 128/205.27
 2012/0000465 A1 1/2012 Cavaliere
 2012/0024289 A1 2/2012 Johnstone
 2012/0174922 A1 7/2012 Virr
 2013/0125896 A1 * 5/2013 Dwyer A62B 18/02
 128/206.17
 2014/0034049 A1 * 2/2014 Castiglione A62B 9/04
 128/202.27
 2014/0216447 A1 * 8/2014 Kihlberg A62B 18/08
 128/201.19
 2014/0216448 A1 * 8/2014 Kihlberg A62B 18/08
 128/201.19
 2014/0216473 A1 * 8/2014 Dwyer A62B 18/10
 128/863
 2014/0216474 A1 * 8/2014 Mittelstadt A62B 27/00
 128/863
 2014/0216475 A1 * 8/2014 Blomberg A62B 9/04
 128/863
 2014/0251327 A1 * 9/2014 Mittelstadt A62B 27/00
 128/202.22
 2015/0136141 A1 * 5/2015 Mittelstadt A62B 18/025
 128/206.15
 2015/0136142 A1 * 5/2015 Blomberg A62B 7/10
 128/206.17

FOREIGN PATENT DOCUMENTS

CN 3342471 12/2003
 CN 3457902 6/2005
 CN 3674586 7/2007
 CN 300757753 3/2008
 CN 300801845 7/2008
 CN 301345091 9/2010
 CN 301787238 1/2012
 CN 301841897 2/2012
 CN 301863214 3/2012
 CN 302193139 11/2012
 CN 302193145 11/2012
 CN 302386273 4/2013
 CN 302571626 9/2013
 CN 302675143 12/2013
 CN 302754689 3/2014
 DE M9107635-0001 6/1992
 EM 000096961-0001 2/2004
 EM 001233373-0002 10/2010
 EM 001233373-0003 10/2010
 EM 001871401-0001 8/2011
 EM 001871401-0003 8/2011
 EM 001871401-0004 8/2011
 EM 001871401-0005 8/2011
 EM 001352645-0001 12/2012
 EM 001352645-0002 12/2012
 EM 001355259-0001 1/2013
 EM 001355259-0002 1/2013
 EM 001378673-0001 8/2013
 EM 001401335-0001 1/2014
 EM 001401335-0002 1/2014
 EM 001401335-0003 1/2014
 EM 001401335-0004 1/2014
 EM 001401335-0005 1/2014
 EM 001401335-0006 1/2014
 EM 001405609-0001 3/2014
 EM 001405609-0002 3/2014
 EM 001405609-0003 3/2014
 EM 001405609-0004 3/2014
 FR 916655-001 12/1991
 FR 972590-001 9/1997
 GB 2078022 2/1999
 JP D1253605 10/2005
 JP D1334600 6/2008
 JP D1423131 9/2011
 JP D1424448 10/2011
 JP D1433068 2/2012
 JP D1489843 2/2014
 KR 300365183.0000 10/2004
 KR 300387985.0000 7/2005
 KR 300402015.0000 12/2005
 KR 10-0773460 B1 11/2007

(56)

References Cited

FOREIGN PATENT DOCUMENTS

KR	300484303.0000	3/2008
KR	300497704.0000	7/2008
KR	300505691.0000	9/2008
KR	300514863.0000	12/2008
KR	300516185.0000	1/2009
KR	300526158.0000	4/2009
KR	300542031.0000	10/2009
KR	300563142.0000	6/2010
KR	300649412.0000	6/2012

KR	300649413.0000	6/2012
KR	300662871.0000	10/2012
KR	300683043.0000	3/2013
KR	300683052.0000	3/2013
KR	300683069.0000	3/2013
KR	300684091.0000	3/2013
KR	300726258.0000	1/2014
KR	300726303.0000	1/2014
RU	00063184	6/2007
WO	03/090873 A1	11/2003
WO	2008/082415	7/2008

* cited by examiner

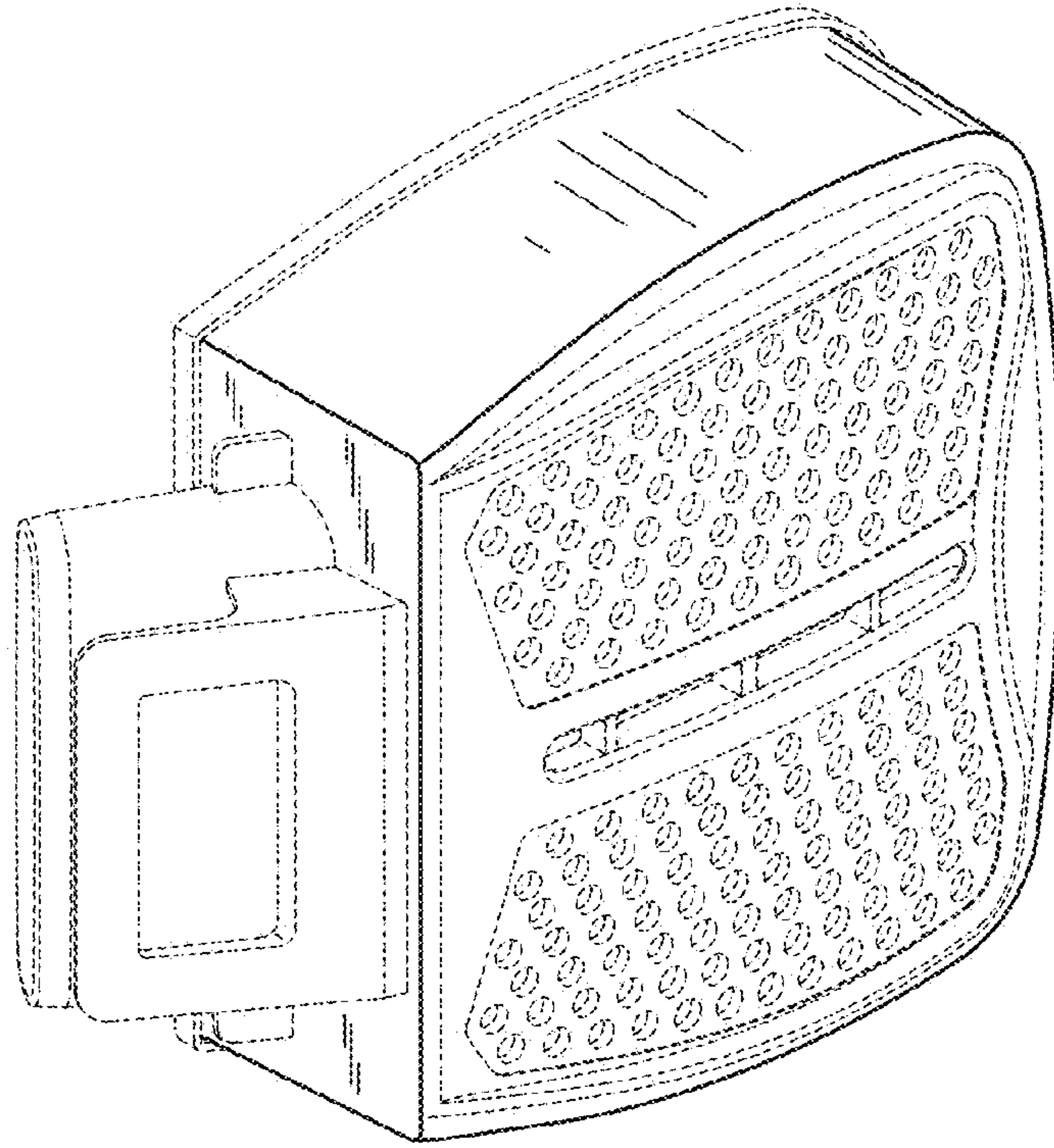


FIG. 1

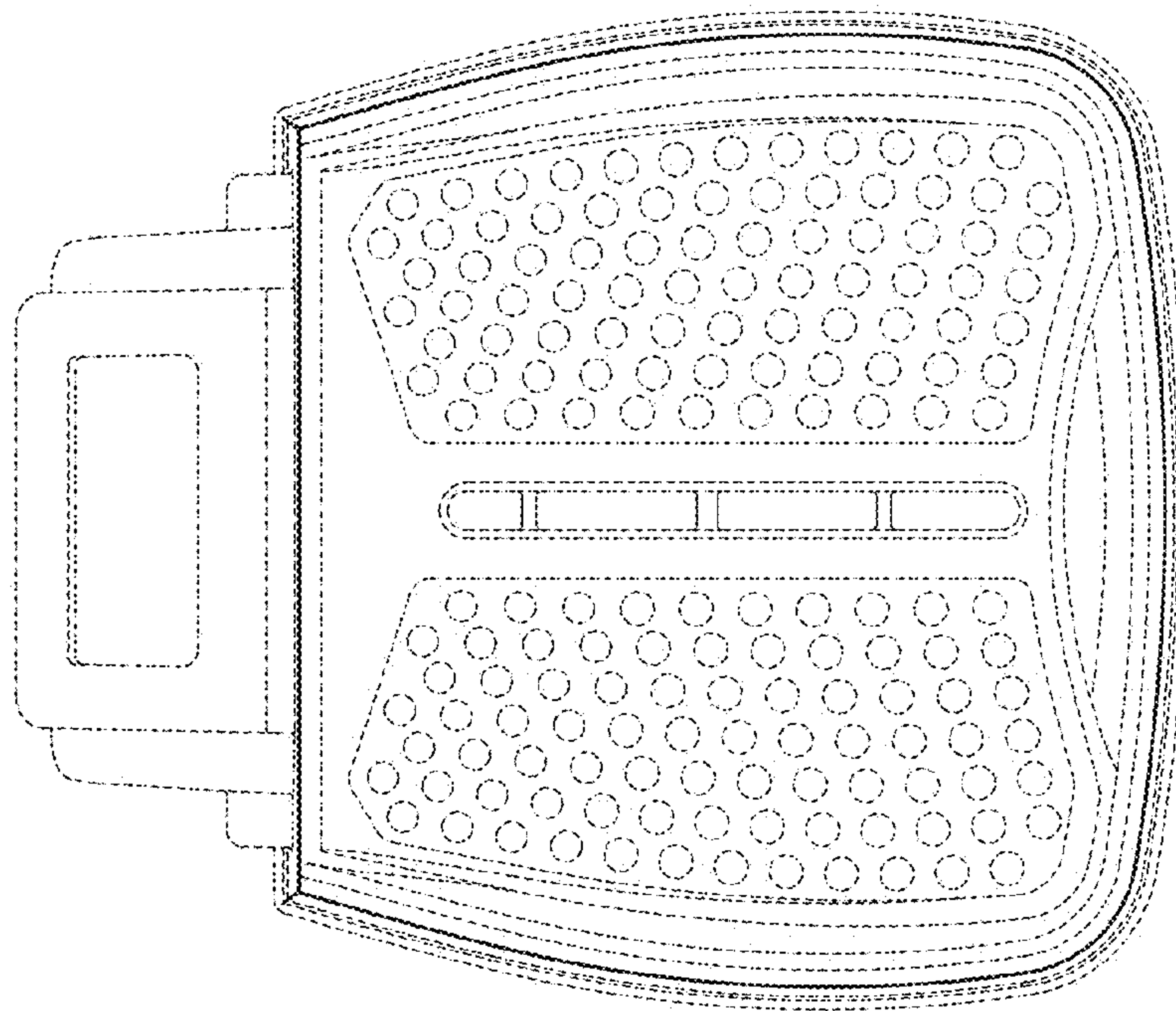


FIG. 2

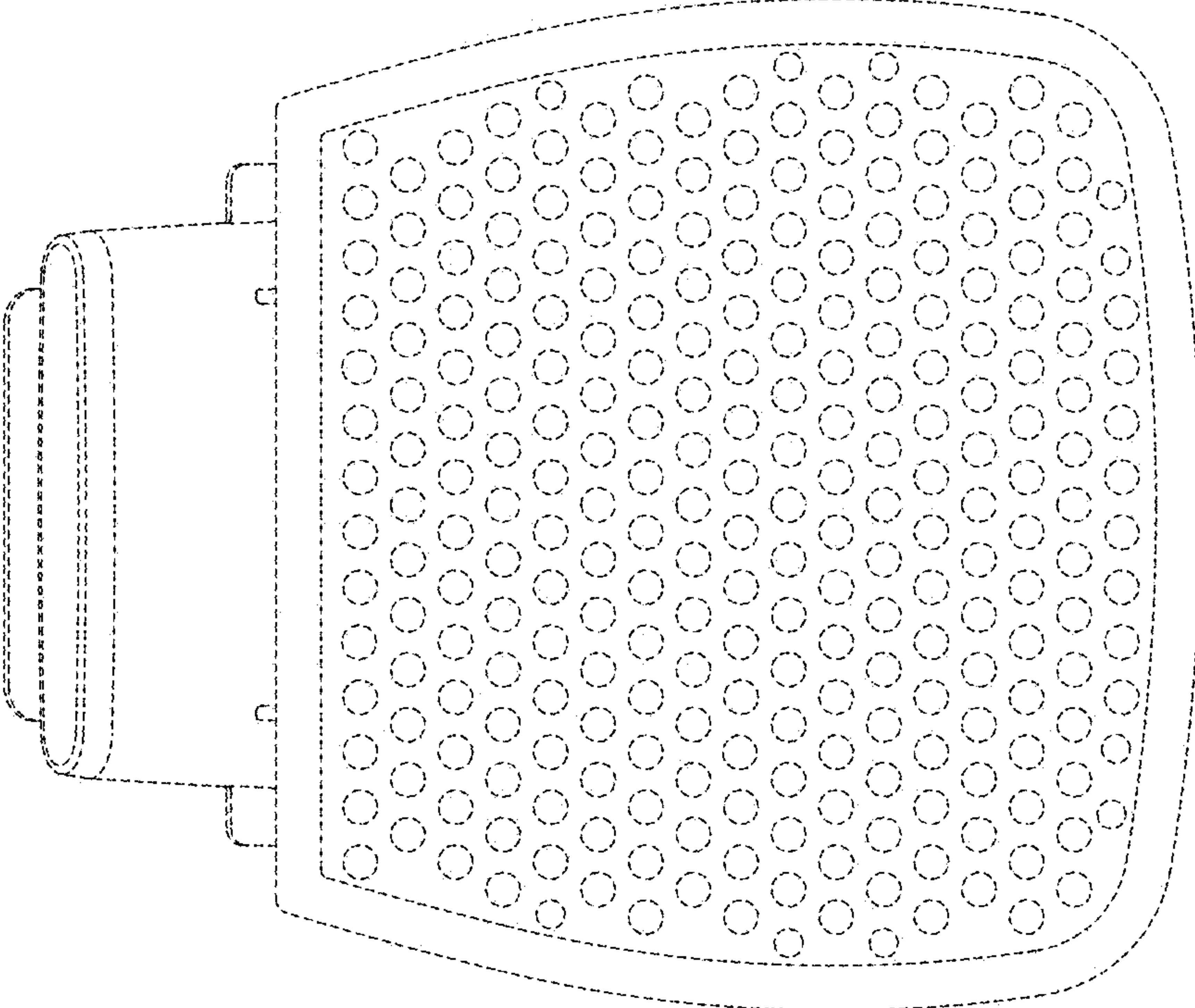


FIG. 3

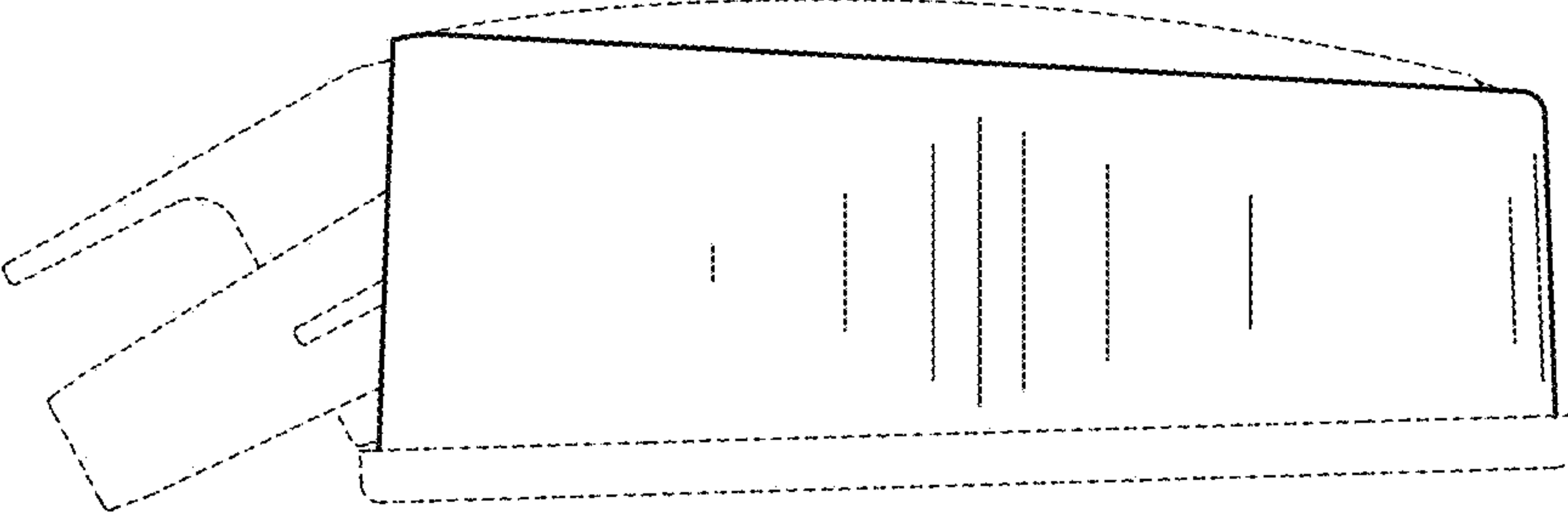


FIG. 4

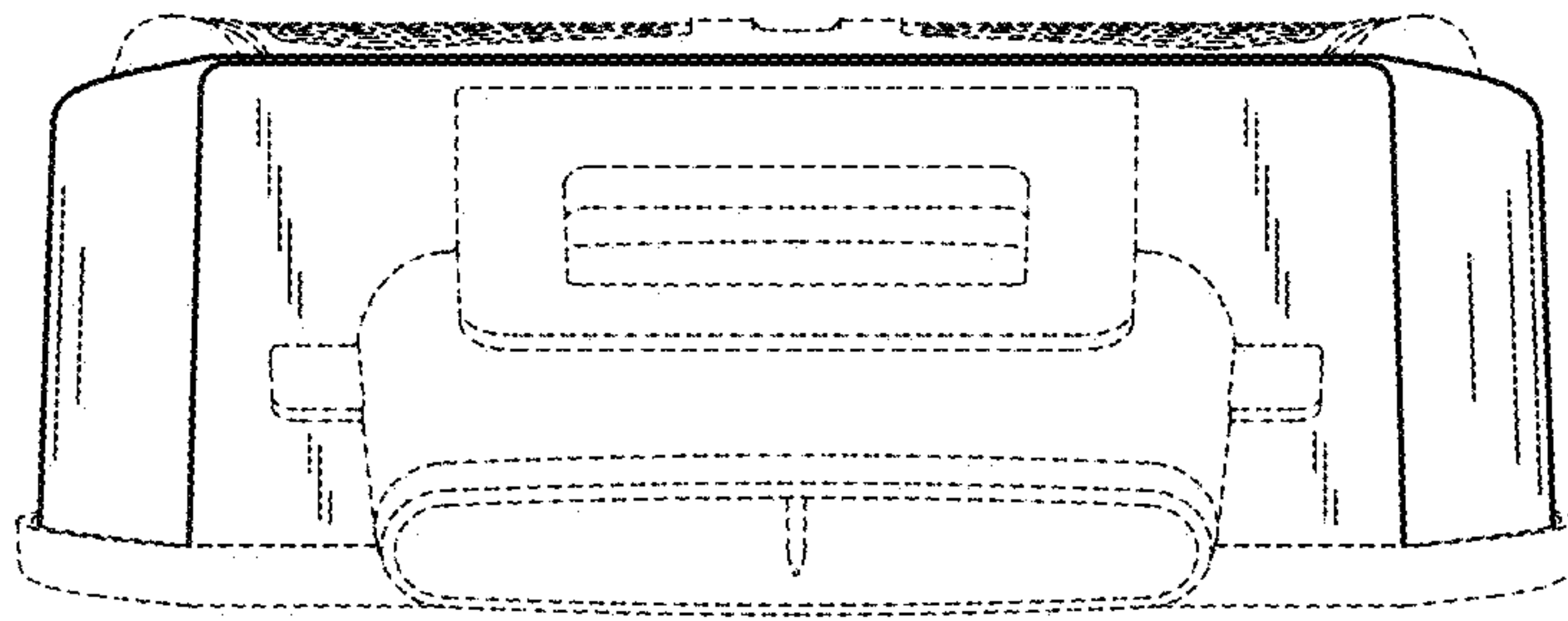


FIG. 5

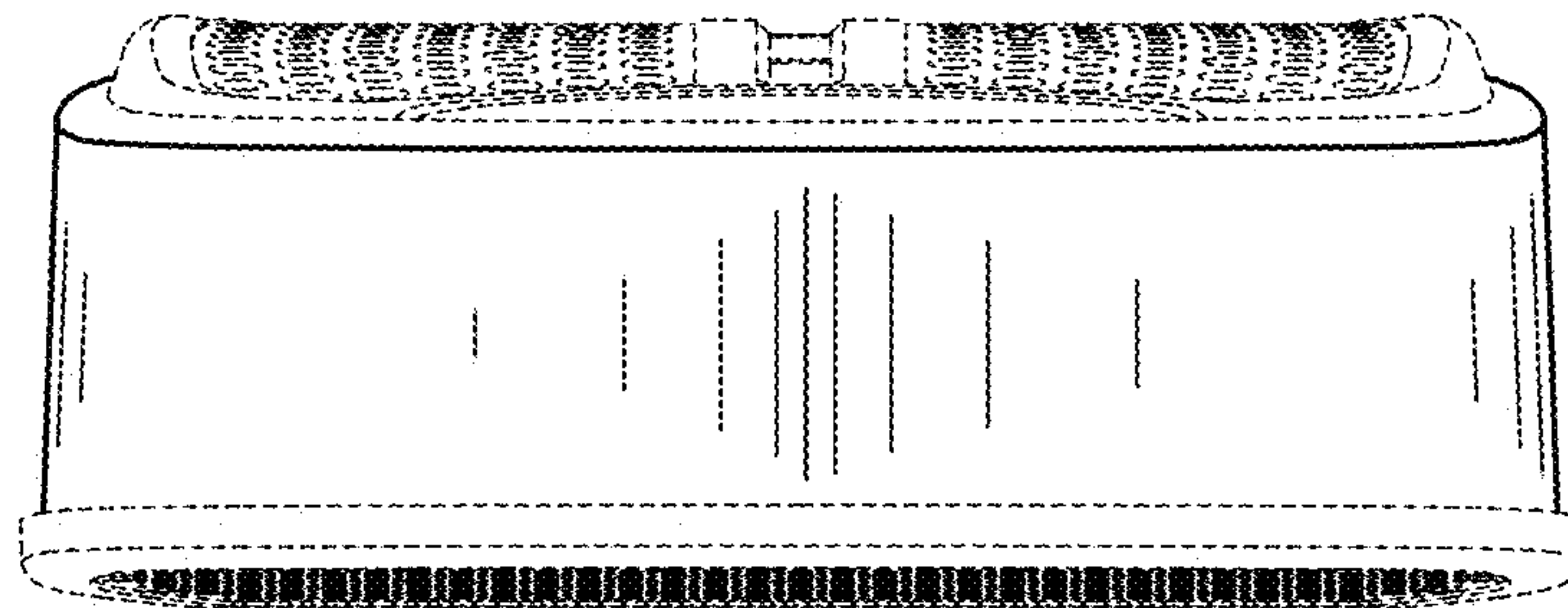


FIG. 6