



US00D757245S

(12) **United States Design Patent**  
**Lee et al.**

(10) **Patent No.:** **US D757,245 S**  
(45) **Date of Patent:** **\*\* May 24, 2016**

(54) **NEBULIZER**

(71) Applicant: **DELTA ELECTRONICS, INC.**,  
Taoyuan County (TW)

(72) Inventors: **Kuo-Liang Lee**, Taoyuan County (TW);  
**Teng-Ying Ho**, Taoyuan County (TW);  
**Wan-Chen Peng**, Taoyuan County  
(TW); **Yi-An Chen**, Taoyuan County  
(TW)

(73) Assignee: **DELTA ELECTRONICS, INC.** (TW)

(\*\*) Term: **14 Years**

(21) Appl. No.: **29/523,819**

(22) Filed: **Apr. 14, 2015**

(30) **Foreign Application Priority Data**

Feb. 13, 2015 (TW) ..... 104300813

(51) **LOC (10) Cl.** ..... **29-02**

(52) **U.S. Cl.**  
USPC ..... **D24/110**

(58) **Field of Classification Search**  
USPC ..... D24/107, 108, 110, 111, 164  
CPC ..... A61M 15/0065; A61M 15/0091;  
A61M 15/0021; A61M 15/0026; A61M 15/00;  
A61M 11/00; A61M 11/02; A61M 11/04  
See application file for complete search history.

(56) **References Cited**

**U.S. PATENT DOCUMENTS**

2,785,923 A \* 3/1957 Hickman ..... A61M 11/002  
239/307  
3,097,645 A \* 7/1963 Lester ..... A61M 11/06  
128/200.21  
D243,039 S \* 1/1977 Aul ..... D24/110  
D266,701 S \* 10/1982 Marloth ..... D23/360  
D337,636 S \* 7/1993 Kocinski ..... D24/110  
5,875,774 A \* 3/1999 Clementi ..... A61M 11/06  
128/200.14  
6,283,118 B1 \* 9/2001 Lu ..... A61M 11/005  
128/200.16  
6,575,160 B1 \* 6/2003 Volgyesi ..... A61M 15/0045  
128/203.12  
6,994,083 B2 \* 2/2006 Foley ..... A61M 11/06  
128/200.14

D585,977 S \* 2/2009 Brown ..... D24/110  
7,631,643 B2 \* 12/2009 Morrison ..... A61M 15/0085  
128/200.14  
2002/0157663 A1 \* 10/2002 Blacker ..... A61M 11/06  
128/200.21  
2003/0136399 A1 \* 7/2003 Foley ..... A61M 11/06  
128/200.14  
2003/0197068 A1 \* 10/2003 Abate ..... A61M 11/06  
239/338  
2008/0083409 A1 \* 4/2008 Hamaguchi ..... A61M 11/06  
128/200.24  
2011/0303218 A1 \* 12/2011 Yadidi ..... A61M 11/005  
128/200.14  
2012/0174917 A1 \* 7/2012 Chen ..... A61M 11/06  
128/200.23  
2012/0227735 A1 \* 9/2012 Abate ..... A61M 11/06  
128/200.14  
2013/0327323 A1 \* 12/2013 Rubin ..... A61M 11/02  
128/200.18  
2014/0000597 A1 \* 1/2014 Korneff ..... A61M 11/06  
128/203.12  
2015/0231341 A1 \* 8/2015 Korneff ..... A61M 11/02  
128/200.23

\* cited by examiner

*Primary Examiner* — Barbara Fox

*Assistant Examiner* — Lilyana Bekic

(74) *Attorney, Agent, or Firm* — Hauptman Ham, LLP

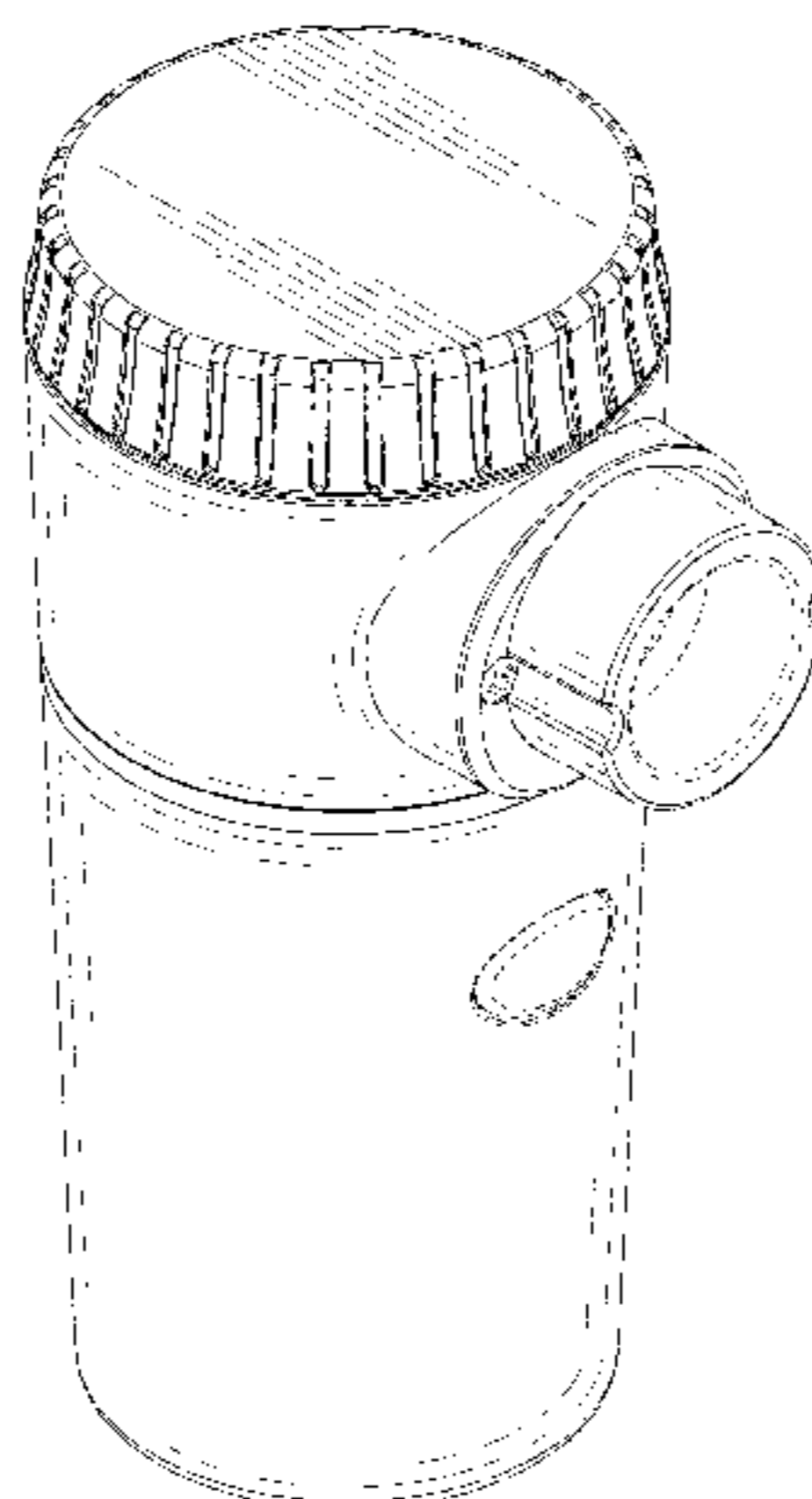
(57) **CLAIM**

The ornamental design for a nebulizer, as shown and described.

**DESCRIPTION**

FIG. 1 is a perspective view of a nebulizer showing my new design;  
FIG. 2 is a front view thereof;  
FIG. 3 is a rear view thereof;  
FIG. 4 is a left side view thereof;  
FIG. 5 is a right side view thereof;  
FIG. 6 is a top view thereof;  
FIG. 7 is a bottom view thereof; and,  
FIG. 8 is the other perspective view showing the nebulizer.  
The dash-dot-dash broken lines represent the boundaries of the claimed design and form no part thereof. The dash-dash broken lines illustrate portions of the nebulizer which form no part of the claimed design.

**1 Claim, 7 Drawing Sheets**



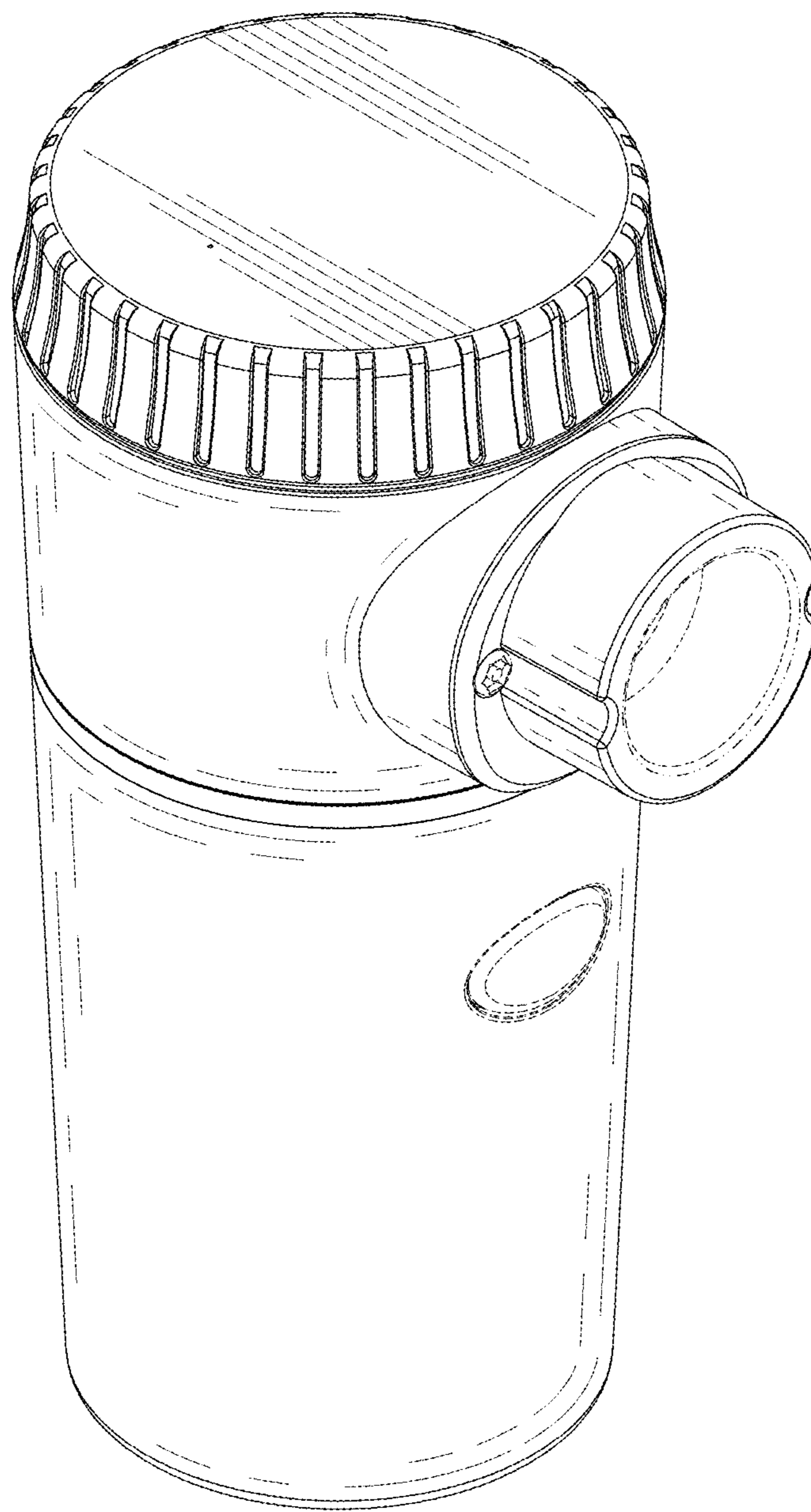


FIG.1

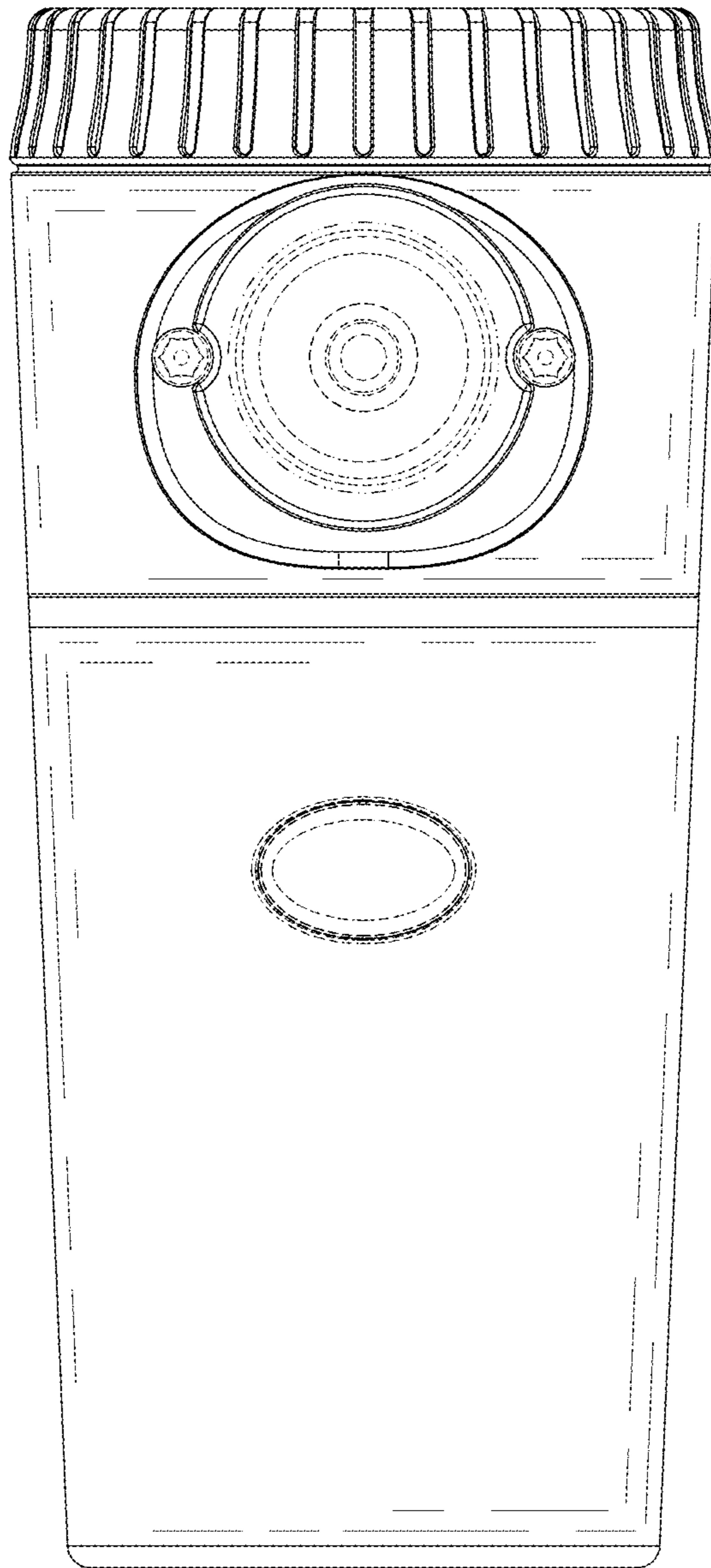


FIG.2

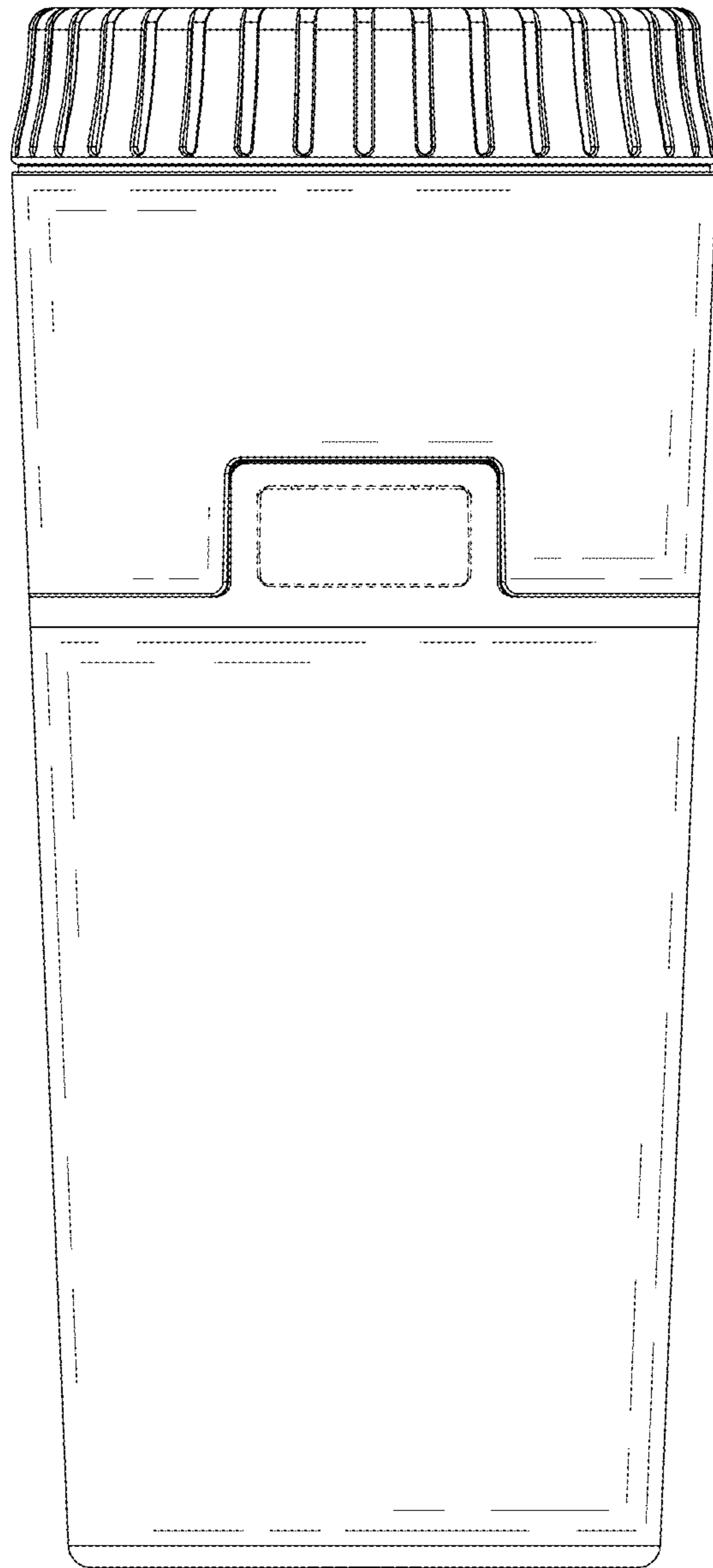


FIG.3

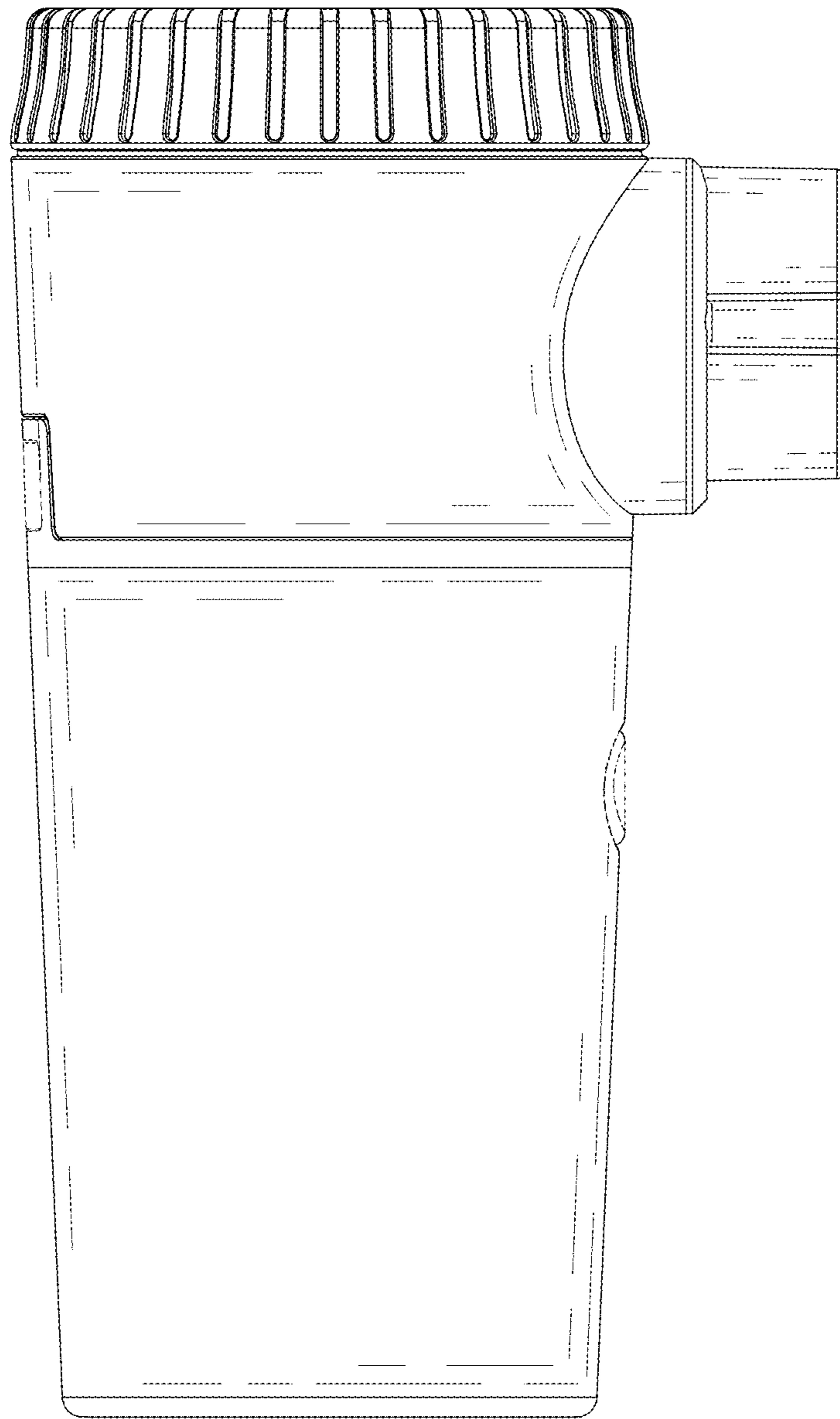


FIG.4

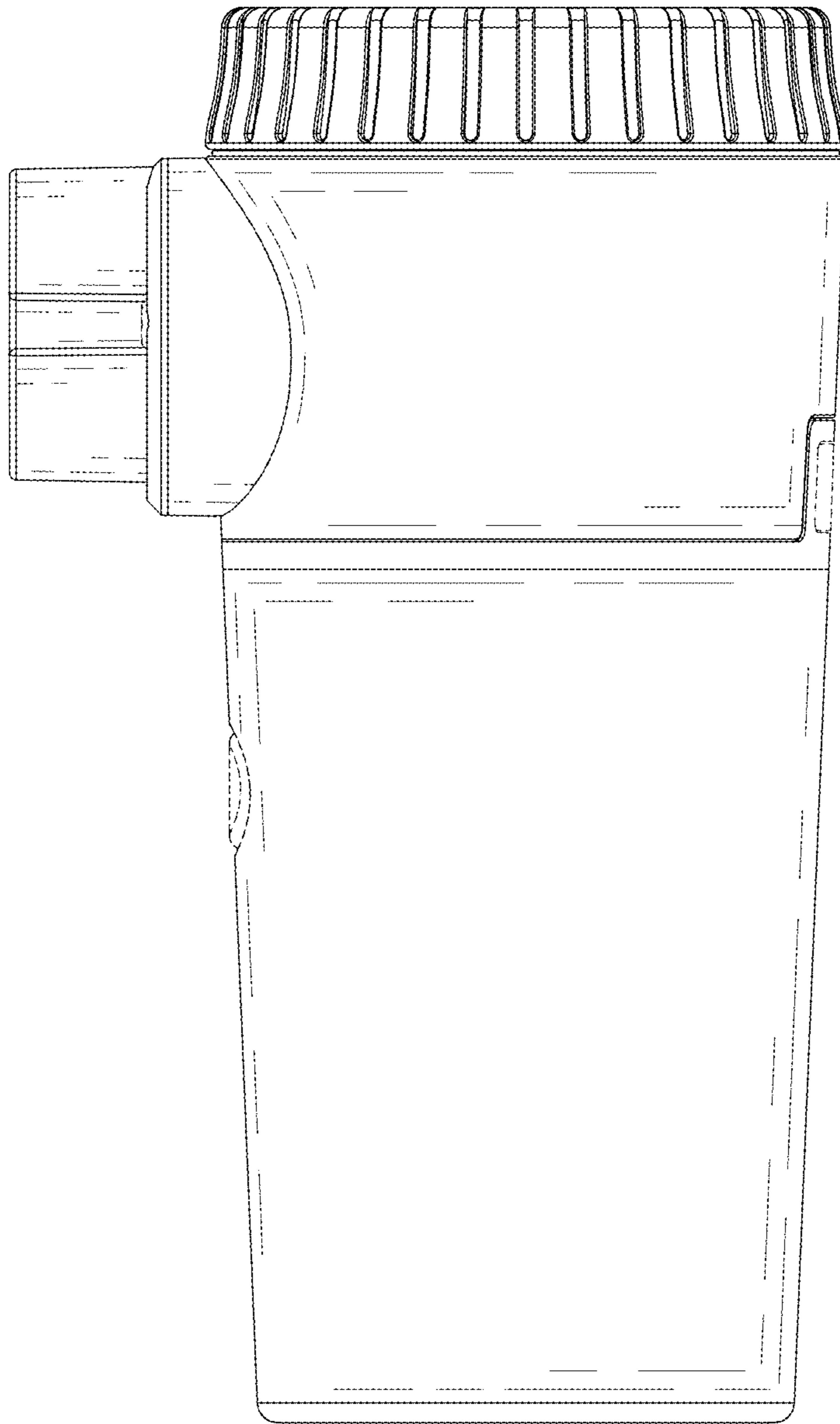


FIG.5

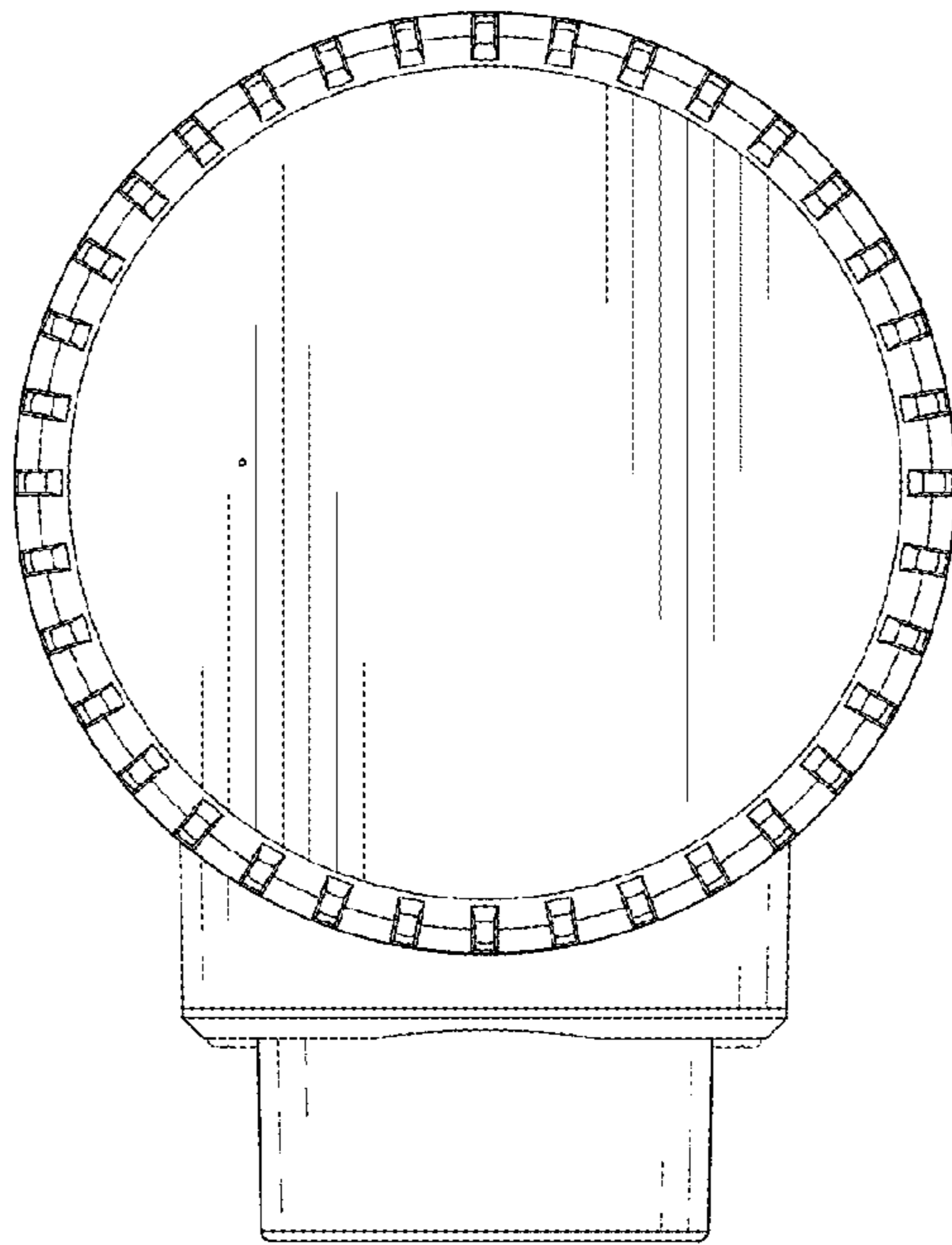


FIG. 6

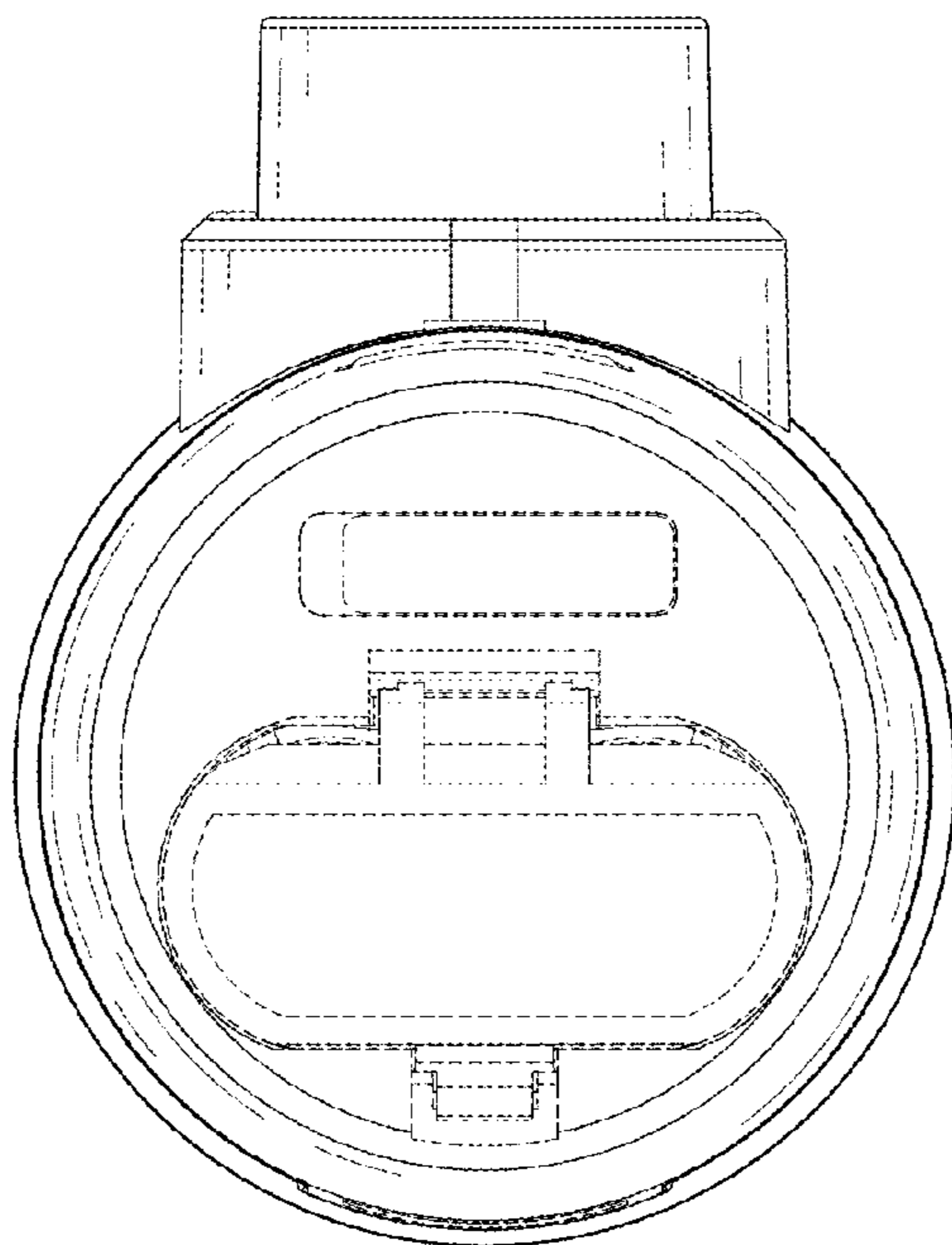


FIG. 7

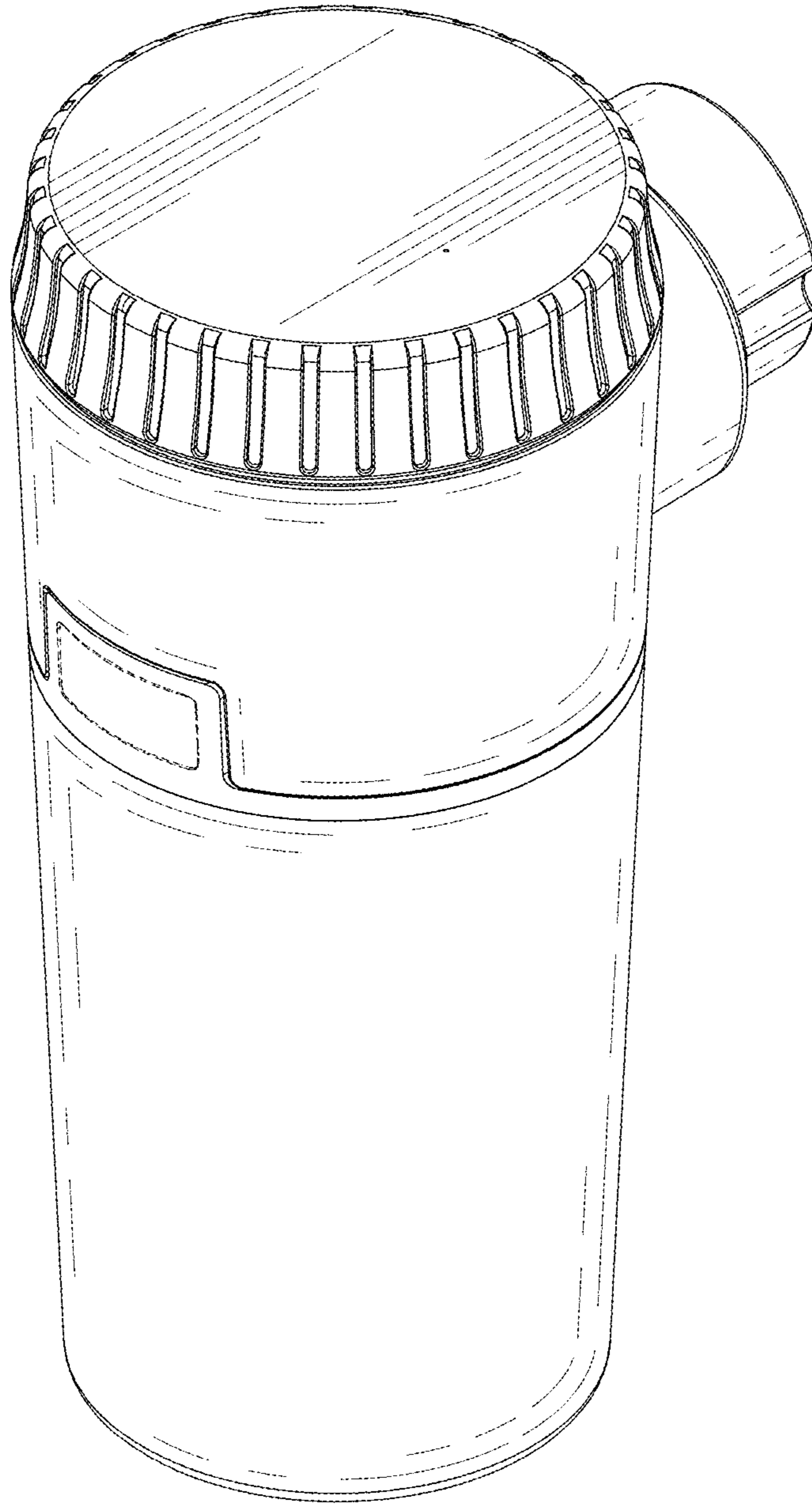


FIG.8