



US00D757242S

(12) **United States Design Patent**
Maksym et al.

(10) **Patent No.:** **US D757,242 S**

(45) **Date of Patent:** **** *May 24, 2016**

(54) **HANDHELD RESPIRATORY AIRWAY
DEVICE**

(75) Inventors: **Geoffrey Nicholas Maksym**, Dartmouth (CA); **Thomas Florian Schuessler**, Ville Mont-Royal (CA); **Guy Drapeau**, Halifax (CA); **Pascal Poirier**, Dartmouth (CA); **Anthony Earl Ratajczak**, Hammonds Plains (CA); **Luc Blanchette**, Montreal (CA); **Steve Jolin**, Montreal (CA)

(73) Assignees: **Geoffrey Nicholas Maksym**, Dartmouth, CA (US); **Thomas Florian Schuessler**, Ville Mont-Royal, CA (US); **Guy Drapeau**, Halifax, CA (US); **Pascal Poirier**, Dartmouth, CA (US); **Anthony Earl Ratajczak**, Hammonds Plains, CA (US); **Luc Blanchette**, Montreal, CA (US); **Steve Jolin**, Montreal, CA (US)

(*) Notice: This patent is subject to a terminal disclaimer.

(**) Term: **14 Years**

(21) Appl. No.: **29/422,021**

(22) Filed: **May 15, 2012**

(51) **LOC (10) Cl.** **29-02**

(52) **U.S. Cl.**
USPC **D24/110**

(58) **Field of Classification Search**
USPC D24/110, 107, 108, 110.5, 164, 169;
D10/76; 128/200.24, 204.24
CPC A61B 5/0051
See application file for complete search history.

(56) **References Cited**

U.S. PATENT DOCUMENTS

D417,731	S	*	12/1999	Butler et al.	D24/110
D476,413	S	*	6/2003	Pearce et al.	D24/110.5
D479,321	S	*	9/2003	Lev et al.	D24/110
D493,222	S	*	7/2004	King et al.	D24/110.5
6,904,907	B2	*	6/2005	Speldrich et al.	128/200.23
7,282,032	B2	*	10/2007	Miller	600/538
D577,815	S	*	9/2008	Gokhale et al.	D24/110
D579,548	S	*	10/2008	Birath et al.	D24/110
D659,236	S	*	5/2012	Bobjer et al.	D24/110
2002/0026937	A1	*	3/2002	Mault	128/200.24
2009/0250059	A1	*	10/2009	Allum et al.	128/204.26

* cited by examiner

Primary Examiner — Ian Simmons

Assistant Examiner — Richelle G Shelton

(74) *Attorney, Agent, or Firm* — Honigman Miller Schwartz and Cohn LLP; Fernando Alberdi; Jonathan P. O'Brien

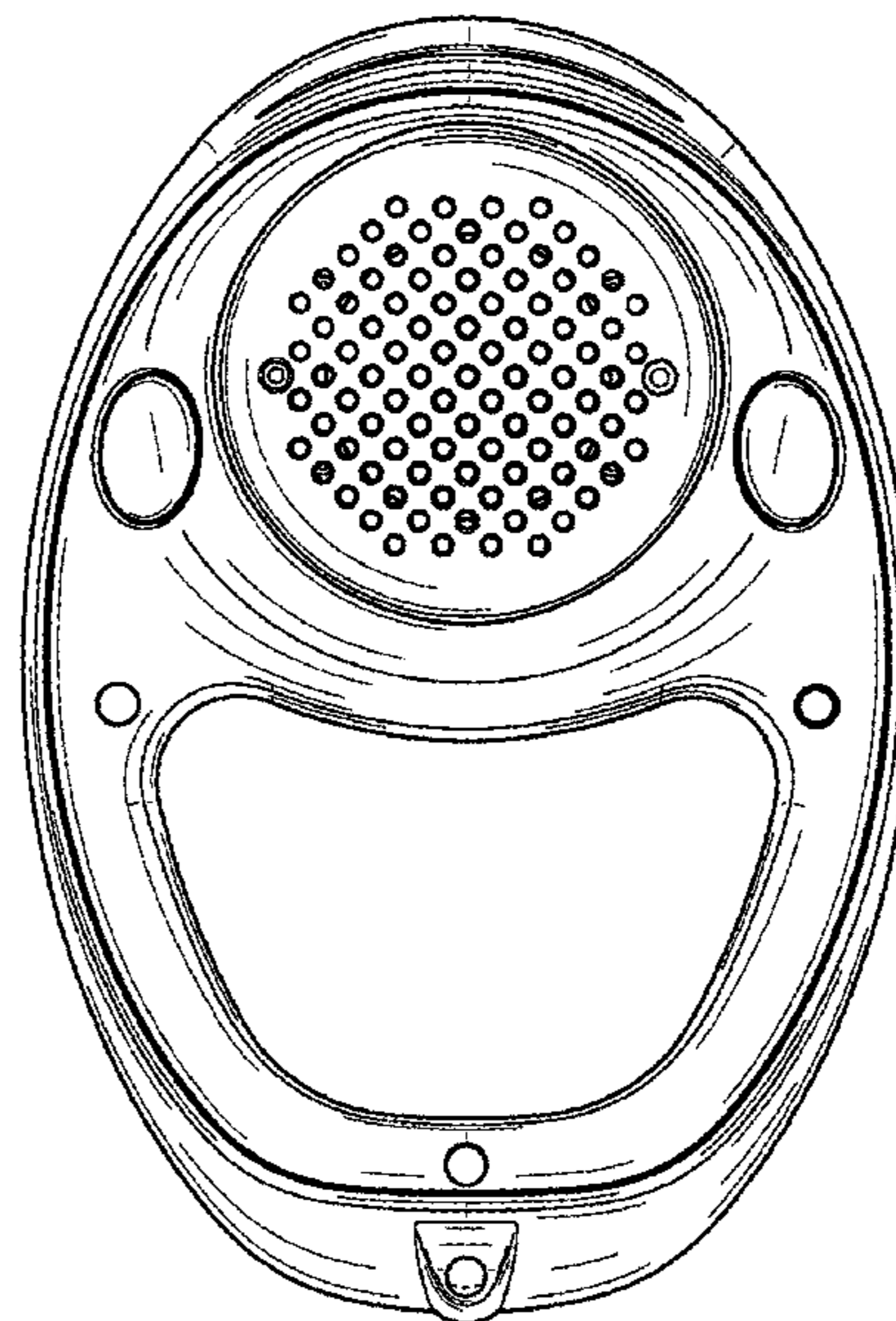
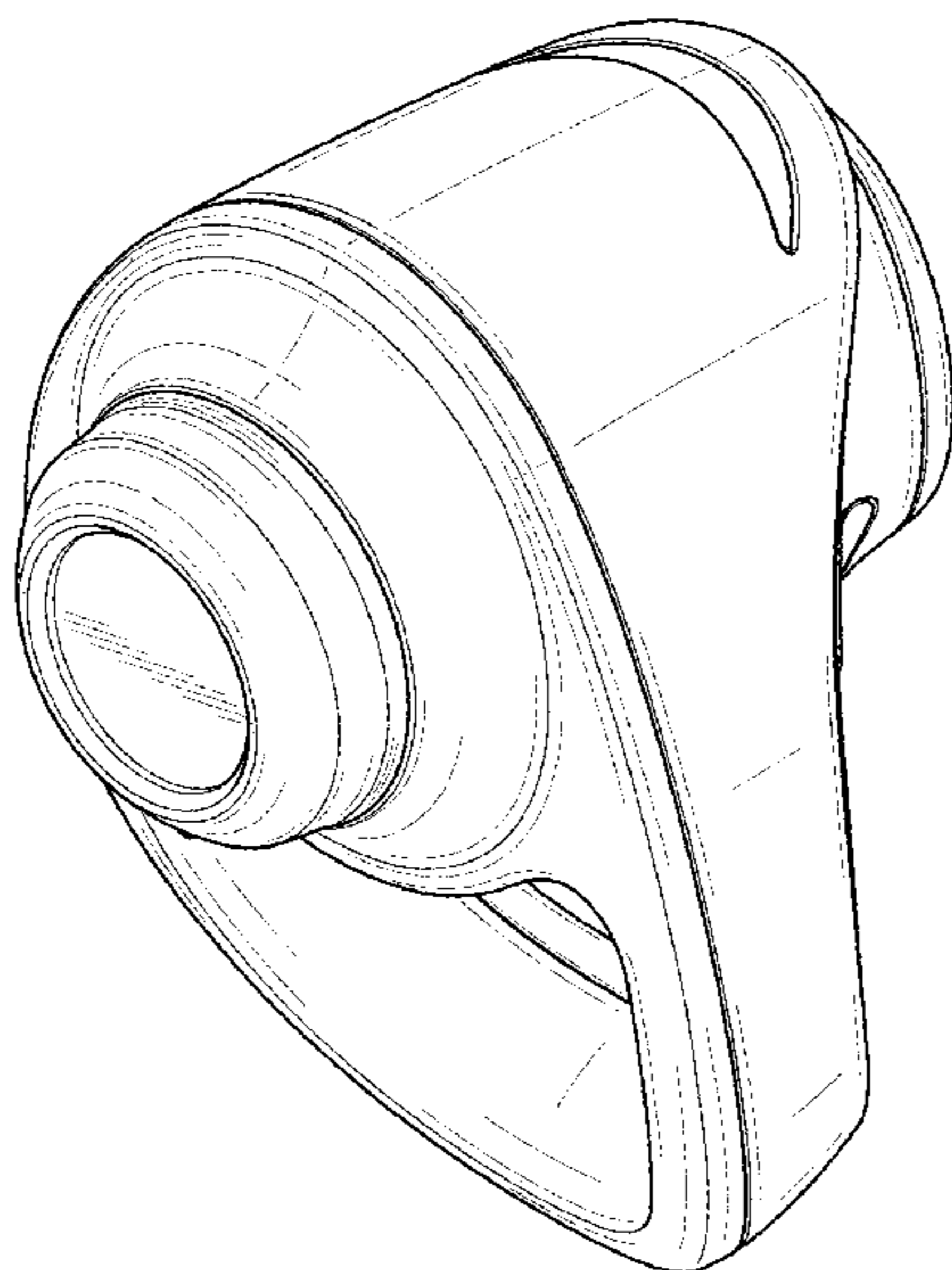
(57) **CLAIM**

The ornamental design for a handheld respiratory airway device, as shown and described.

DESCRIPTION

FIG. 1 is a right side perspective view of a handheld respiratory airway device, made according to the new design; FIG. 2 is a left side perspective view thereof; FIG. 3 is a front elevation view thereof; FIG. 4 is a rear elevation view thereof; FIG. 5 is a left side elevation view thereof; FIG. 6 is a right side elevation view thereof; FIG. 7 is a top plan view thereof; and, FIG. 8 is a bottom plan view thereof. The broken line showing in FIG. 4 forms no part of the claimed design.

1 Claim, 8 Drawing Sheets



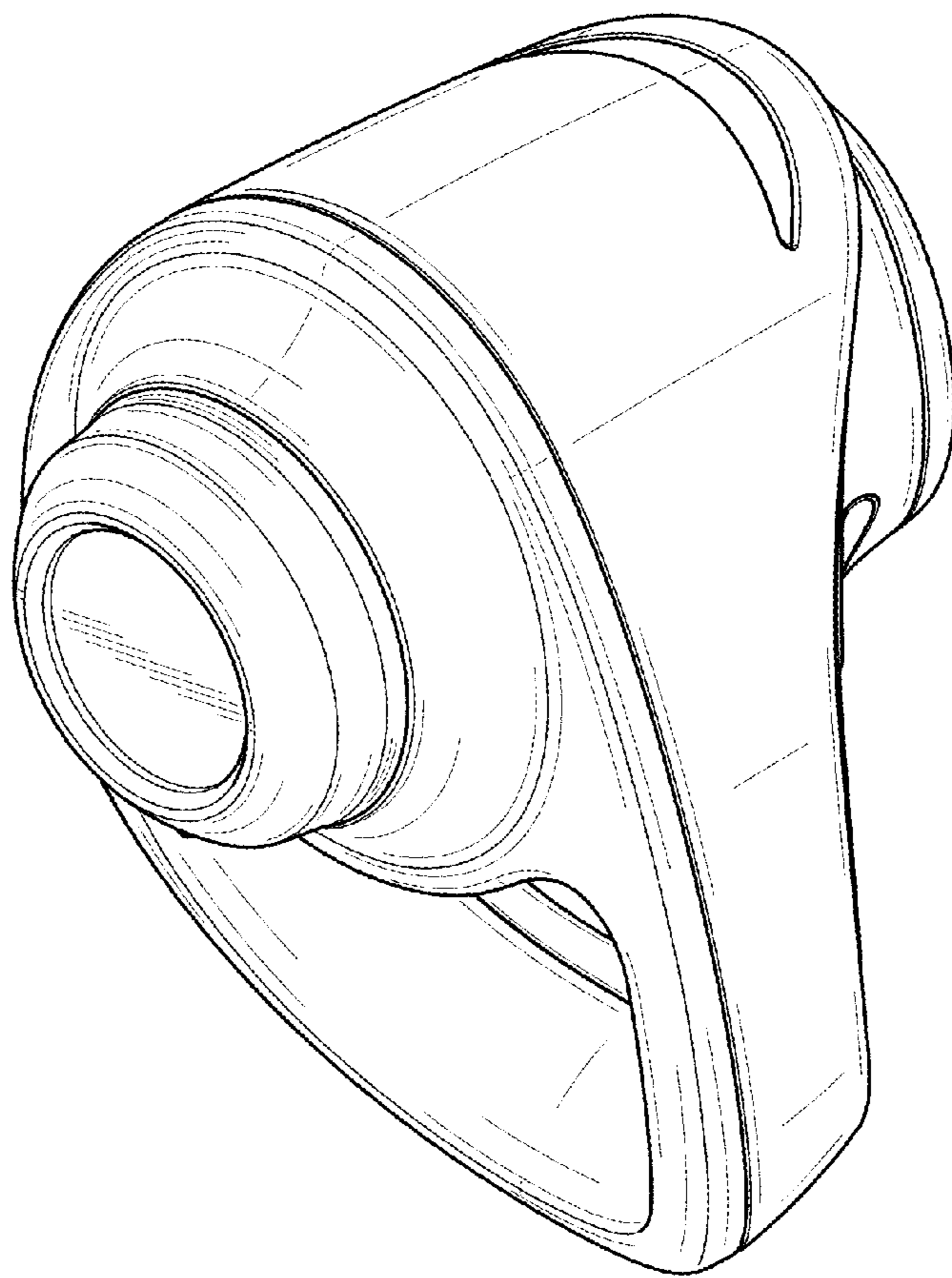


FIG. 1

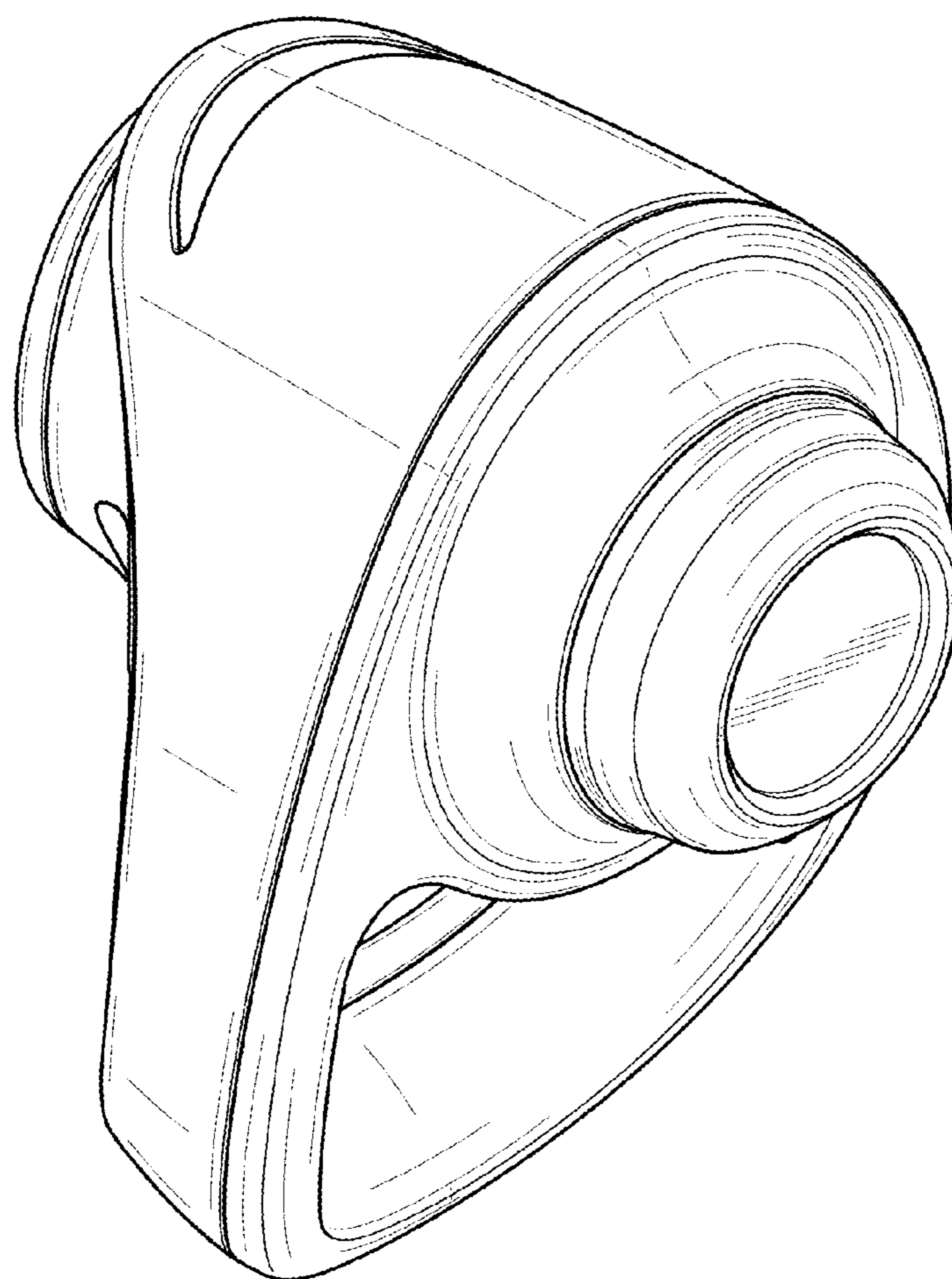


FIG. 2

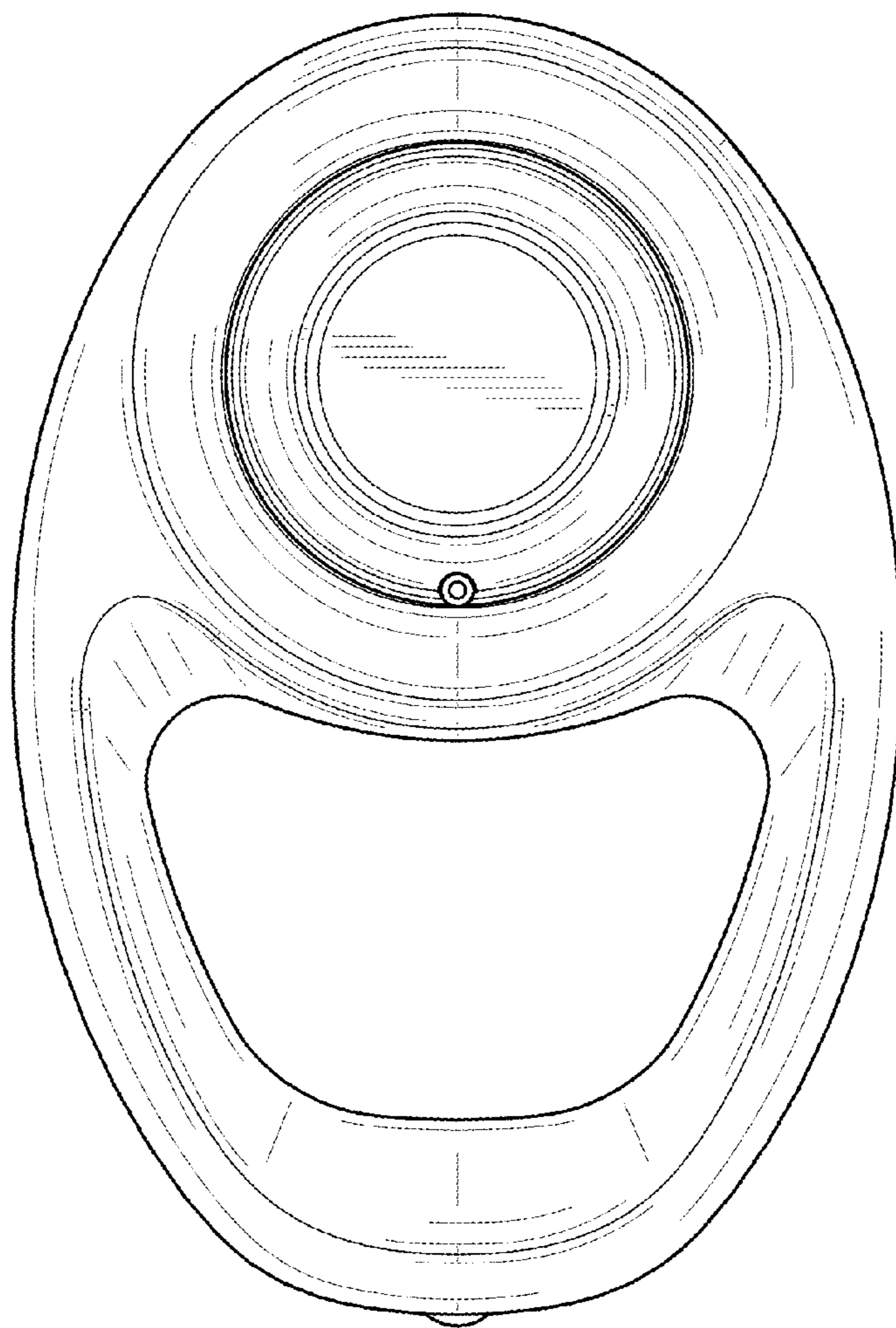


FIG. 3

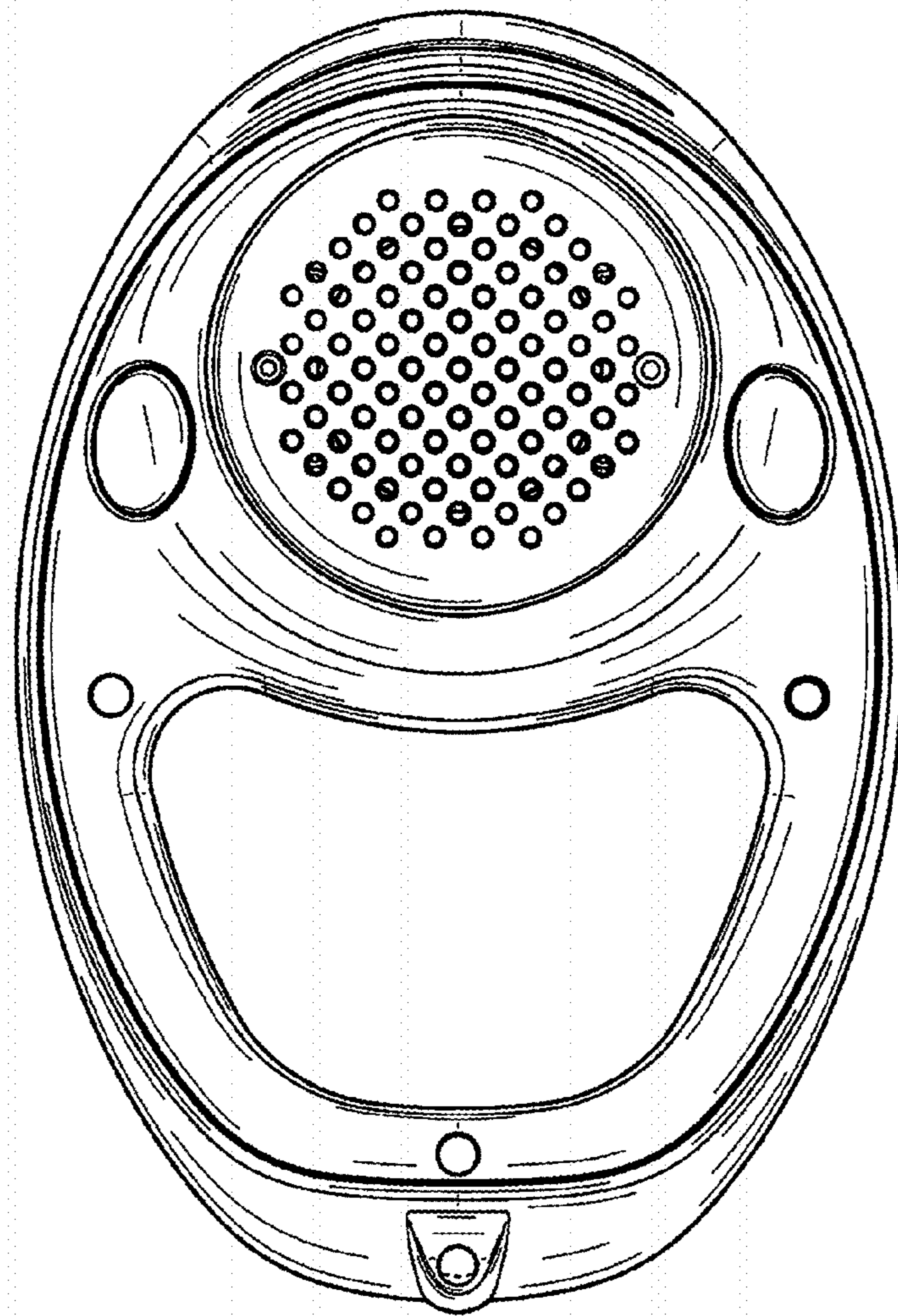


FIG. 4

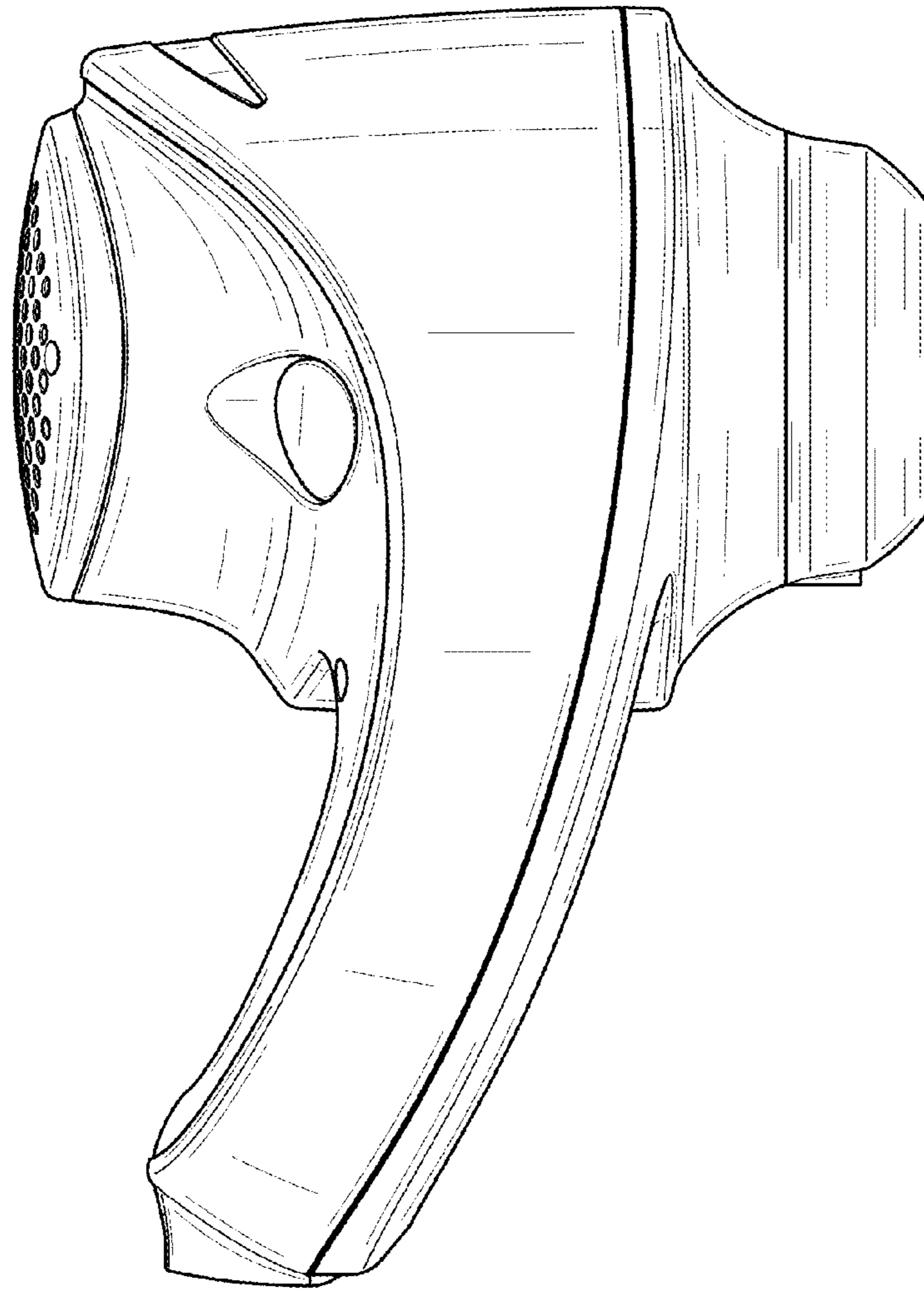


FIG. 5

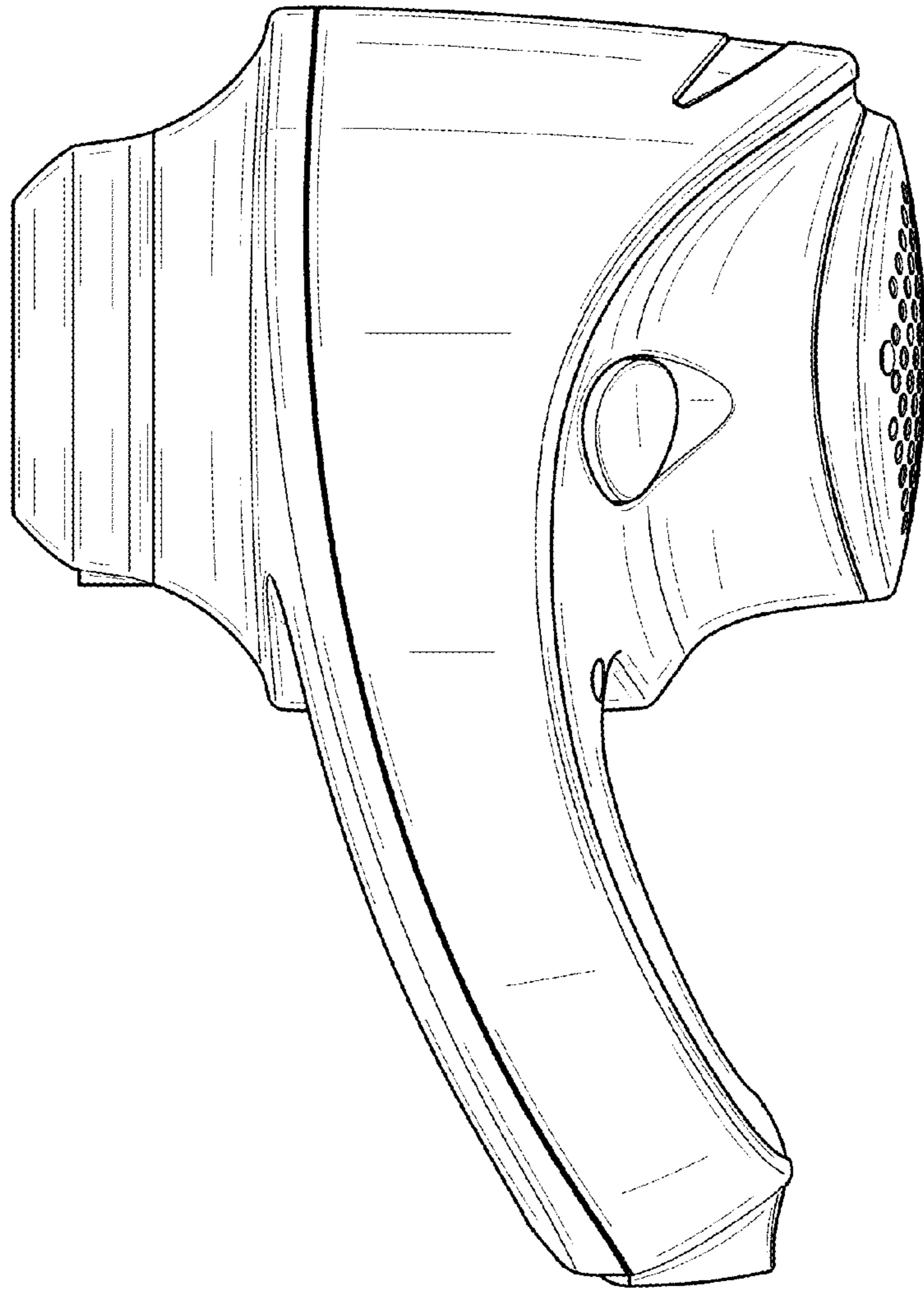


FIG. 6

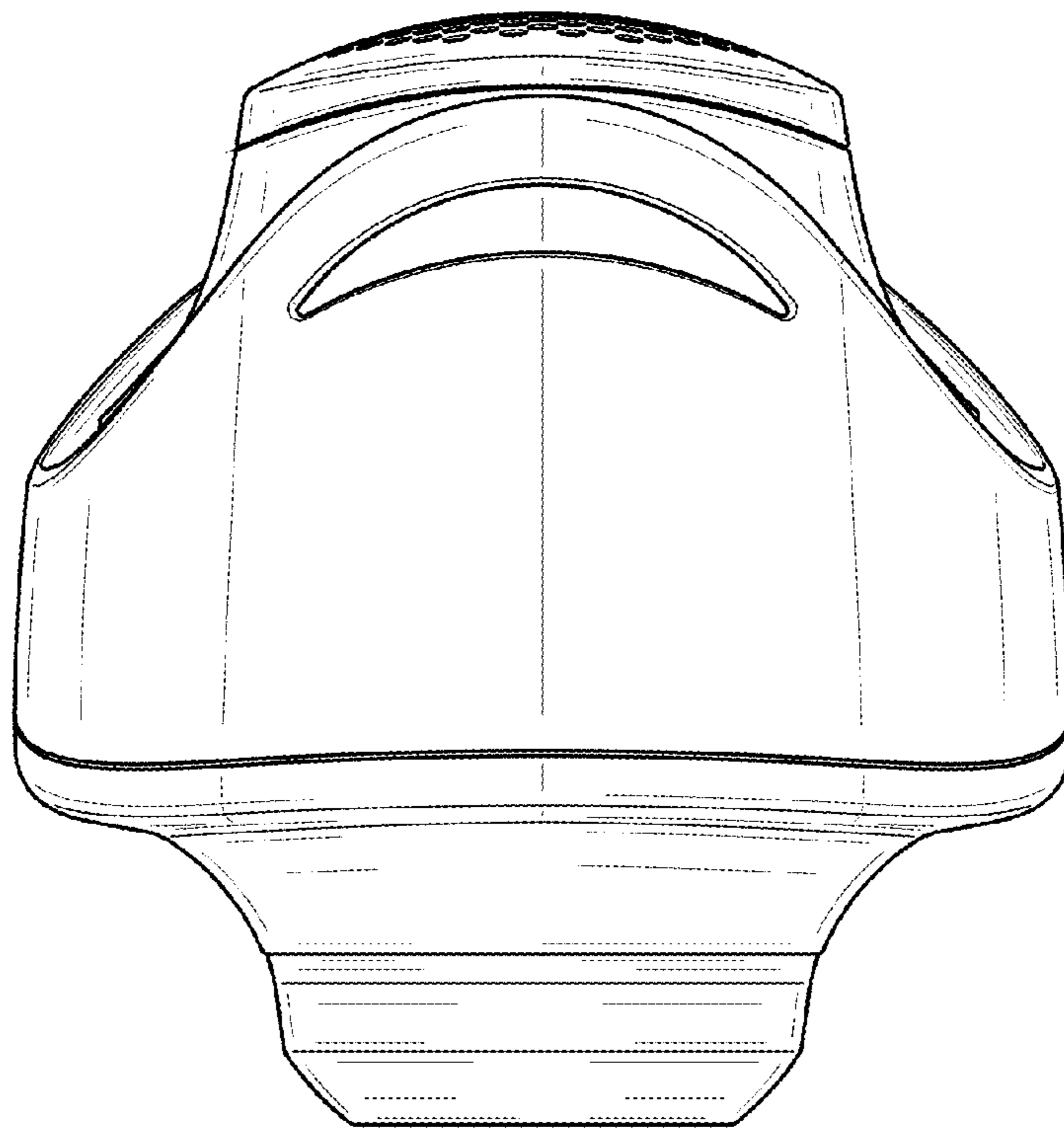


FIG. 7

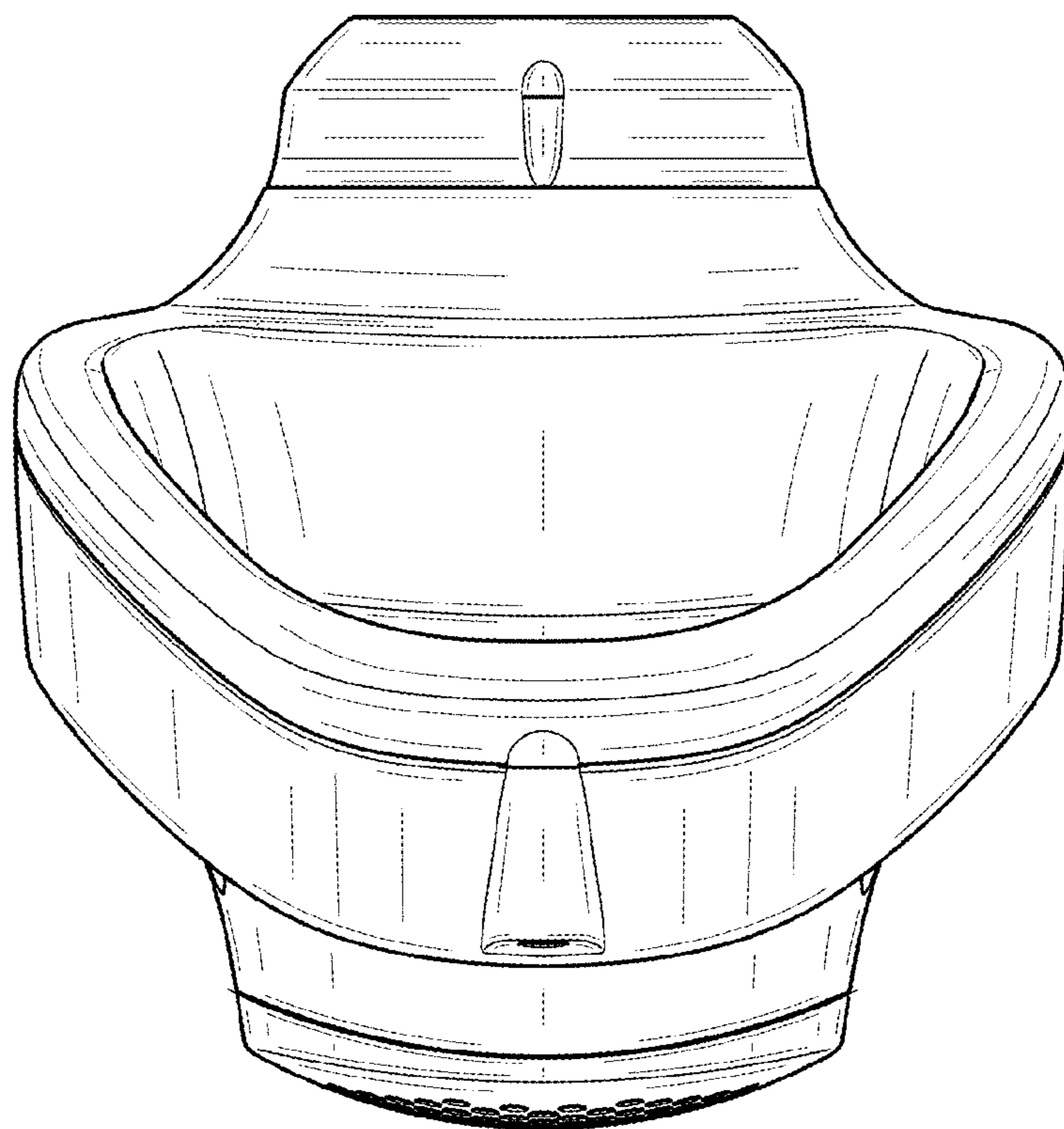


FIG. 8