



US00D757241S

(12) **United States Design Patent**
Agha

(10) **Patent No.:** **US D757,241 S**

(45) **Date of Patent:** **** *May 24, 2016**

(54) **MALE GENITAL SHIELD**

(71) Applicant: **Arif H Agha**, Oakbrook, IL (US)

(72) Inventor: **Arif H Agha**, Oakbrook, IL (US)

(*) Notice: This patent is subject to a terminal disclaimer.

(**) Term: **14 Years**

(21) Appl. No.: **29/493,419**

(22) Filed: **Jun. 9, 2014**

(51) **LOC (10) Cl.** **28-01**

(52) **U.S. Cl.**
USPC **D24/105**

(58) **Field of Classification Search**
USPC D24/105, 124, 158; D29/100, 101.5;
D2/854

CPC A61F 6/02; A61F 6/04; A61F 6/06;
A61F 2006/041-2006/049

See application file for complete search history.

(56) **References Cited**

U.S. PATENT DOCUMENTS

D108,640	S *	3/1938	Fischer	D2/840
2,591,783	A *	4/1952	Craddock	128/842
D181,843	S *	1/1958	Duhamel	D29/100
D249,278	S *	9/1978	Milligan	D24/158
4,781,709	A *	11/1988	Grubman	604/349
D303,153	S *	8/1989	Puggard	D24/105
4,872,462	A *	10/1989	Salz et al.	128/842
4,993,431	A *	2/1991	Reddy	128/830

5,413,117	A *	5/1995	Wills	128/830
5,513,653	A *	5/1996	Huang	128/842
5,623,947	A *	4/1997	Lawlor	128/844
D556,324	S *	11/2007	Oddsottir et al.	D24/158
D713,602	S *	9/2014	Tyson, Jr.	D29/100
2008/0135055	A1 *	6/2008	Portnoff	128/842
2010/0071702	A1 *	3/2010	Sturlingh	128/844

FOREIGN PATENT DOCUMENTS

WO WO 2007096836 A1 * 8/2007 A61F 6/04

* cited by examiner

Primary Examiner — Ian Simmons

Assistant Examiner — Richelle G Shelton

(74) *Attorney, Agent, or Firm* — Heather Kartsounes

(57) **CLAIM**

The ornamental design for the male genital shield, as shown and described.

DESCRIPTION

This application claims priority to an earlier filed U.S. Non-Provisional Application entitled Genital Shield for Reducing the Transmission of Sexually Transmitted Diseases filed on Dec. 9, 2013 having U.S. application Ser. No. 14/100,318. FIG. 1 is a front elevational view of a male genital shield showing my new design.

FIG. 2 is a right side elevational view of the male genital shield, the left side being a mirror image; and,

FIG. 3 is a rear elevational view of the male genital shield.

1 Claim, 2 Drawing Sheets

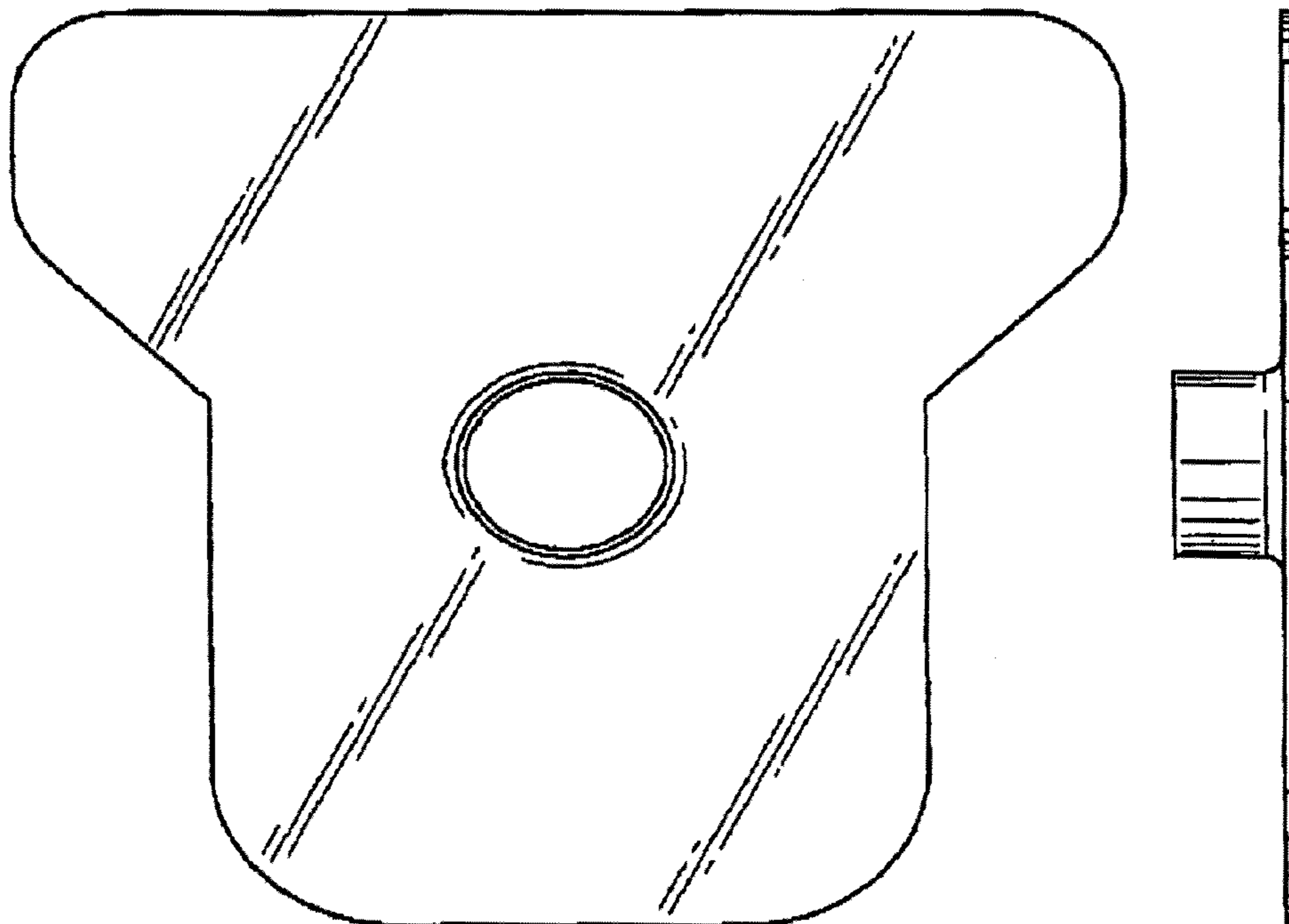


Fig. 1

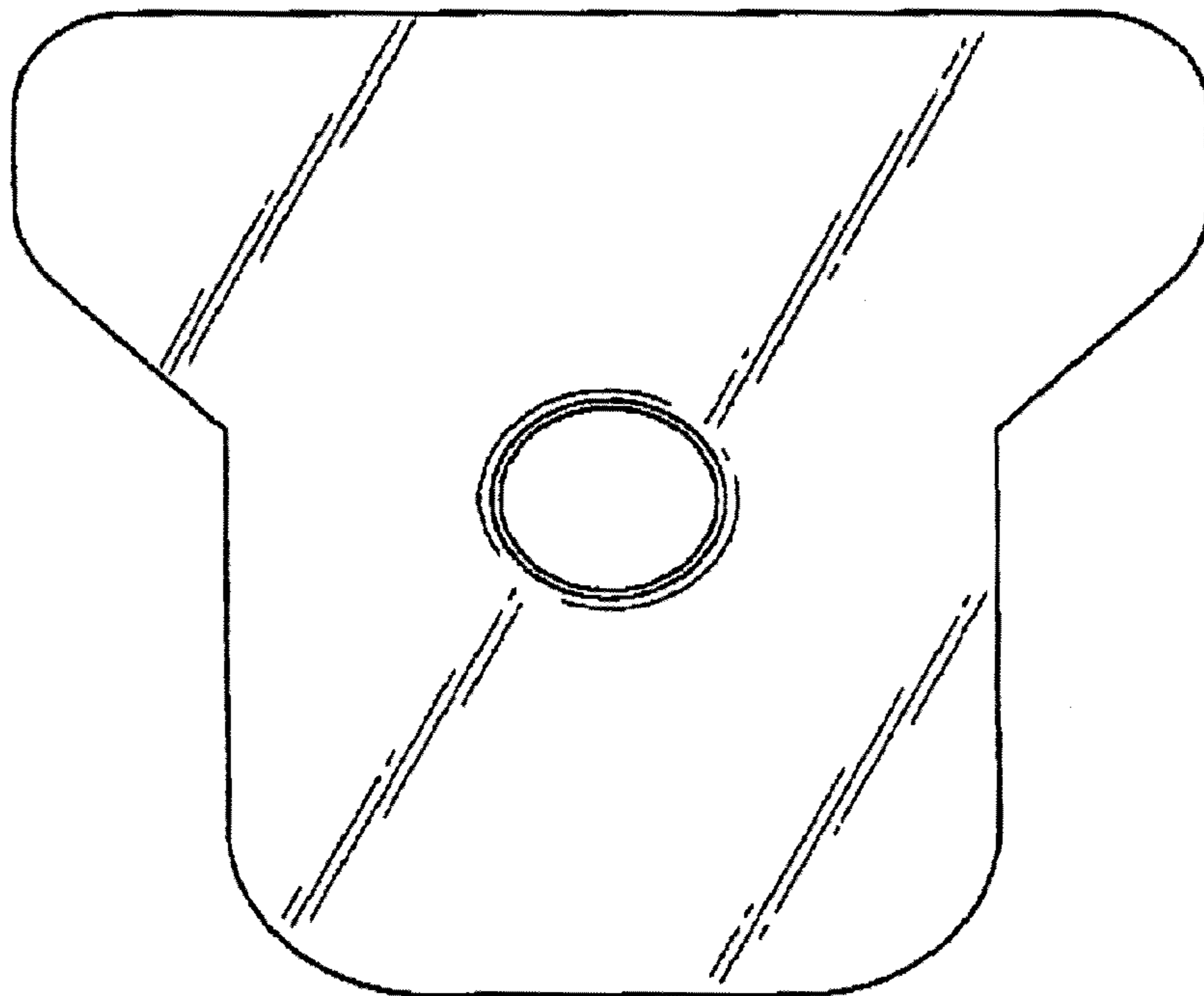


Fig. 2



Fig. 3

