

US00D757240S

(12) **United States Design Patent**
Forlong

(10) **Patent No.:** **US D757,240 S**

(45) **Date of Patent:** **** May 24, 2016**

(54) **DUCT MEMBER FOR COOLANT AND CHIP EXTRACTION**

(71) Applicant: **EIGEN SYSTEMS LIMITED,**
Auckland (NZ)

(72) Inventor: **Murray Houlton Forlong,** Auckland
(NZ)

(73) Assignee: **EIGEN SYSTEMS LIMITED,** Albany
(NZ)

(**) Term: **14 Years**

(21) Appl. No.: **29/452,309**

(22) Filed: **Apr. 15, 2013**

(51) **LOC (10) Cl.** **23-01**

(52) **U.S. Cl.**
USPC **D23/393**

(58) **Field of Classification Search**
USPC D23/393, 365, 209, 363, 358, 386, 354,
D23/341, 364, 267, 268; 55/385.3, 502,
55/497, 506, 505, 521, 495, 422, 493,
55/DIG. 30; 210/435, 130, 136, 248, 339,
210/448, 452, 497.1; D15/5; D25/119, 121,
D25/141, 38.1, 41.1, 43, 48.2; 277/602;
248/62-65; D13/155, 156
CPC G03B 21/16; A47L 5/28; F25D 17/065;
G03G 21/206; F24F 13/0209
See application file for complete search history.

(56) **References Cited**

U.S. PATENT DOCUMENTS

D82,957 S * 12/1930 Rachlin D23/267
2,564,386 A * 8/1951 Webb A47B 95/04
16/DIG. 2
D200,099 S * 1/1965 Attwood D25/121
D200,702 S * 3/1965 Huret D25/121
D215,157 S * 9/1969 Edmondson D23/267

D258,279 S * 2/1981 Moore D12/302
D305,297 S * 1/1990 O'Neill D12/190
D306,771 S * 3/1990 Gecchelin D25/119
D324,368 S * 3/1992 Zirkelbach D12/317
D351,668 S * 10/1994 Lim D25/121
D378,731 S * 4/1997 Kopish D13/155
D393,319 S * 4/1998 Reuter D25/119
D398,048 S * 9/1998 Casady D23/386
D443,198 S * 6/2001 Snyder D25/164
D448,862 S * 10/2001 Kieffer D25/121
D450,564 S * 11/2001 Kane D8/356
6,588,915 B1 * 7/2003 Chen A47B 61/003
362/132
D479,798 S * 9/2003 Wall D25/119
D506,381 S * 6/2005 Lu D8/349
D562,994 S * 2/2008 Vandewater, Jr. D25/141
D576,722 S * 9/2008 Nishio D23/393
D580,260 S * 11/2008 Collins D8/382
D631,445 S * 1/2011 Dittmer D13/155
D674,889 S * 1/2013 Mims D23/386
D718,886 S * 12/2014 Derraumaux D25/141
D720,477 S * 12/2014 Ross D25/121

* cited by examiner

Primary Examiner — David Muller

Assistant Examiner — Nathan Johnston

(74) *Attorney, Agent, or Firm* — Young & Thompson

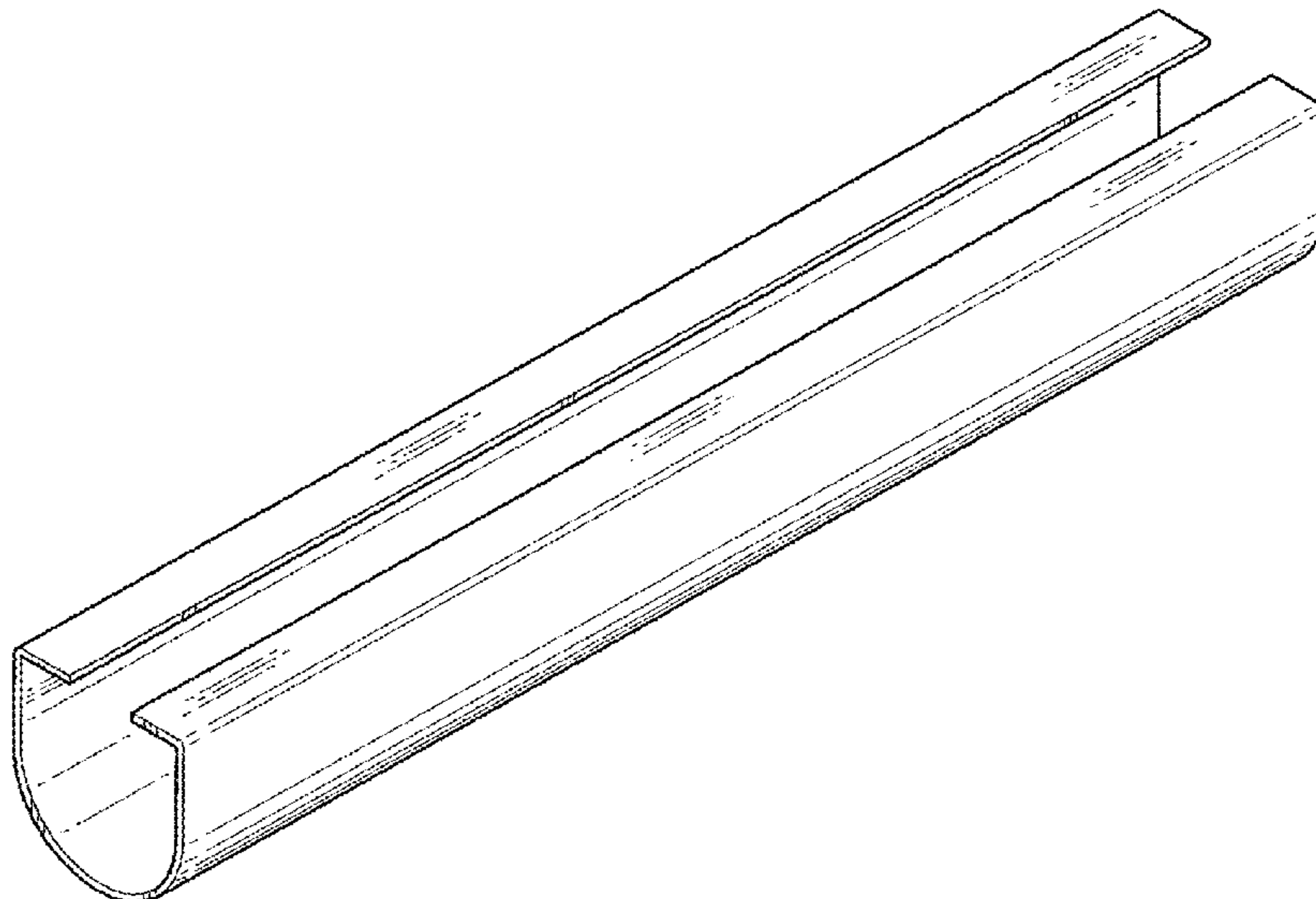
(57) **CLAIM**

The ornamental design for a duct member for coolant and chip extraction, as shown and described.

DESCRIPTION

FIG. 1 is a top, right side, and rear perspective view of a chip and coolant extraction duct member showing the new design; FIG. 2 is rear elevation view thereof; FIG. 3 is a top plan view thereof; FIG. 4 is a bottom plan view thereof; and, FIG. 5 is a left side elevation view thereof. The duct member for coolant and chip extraction is symmetrical and the sides appear the same.

1 Claim, 3 Drawing Sheets



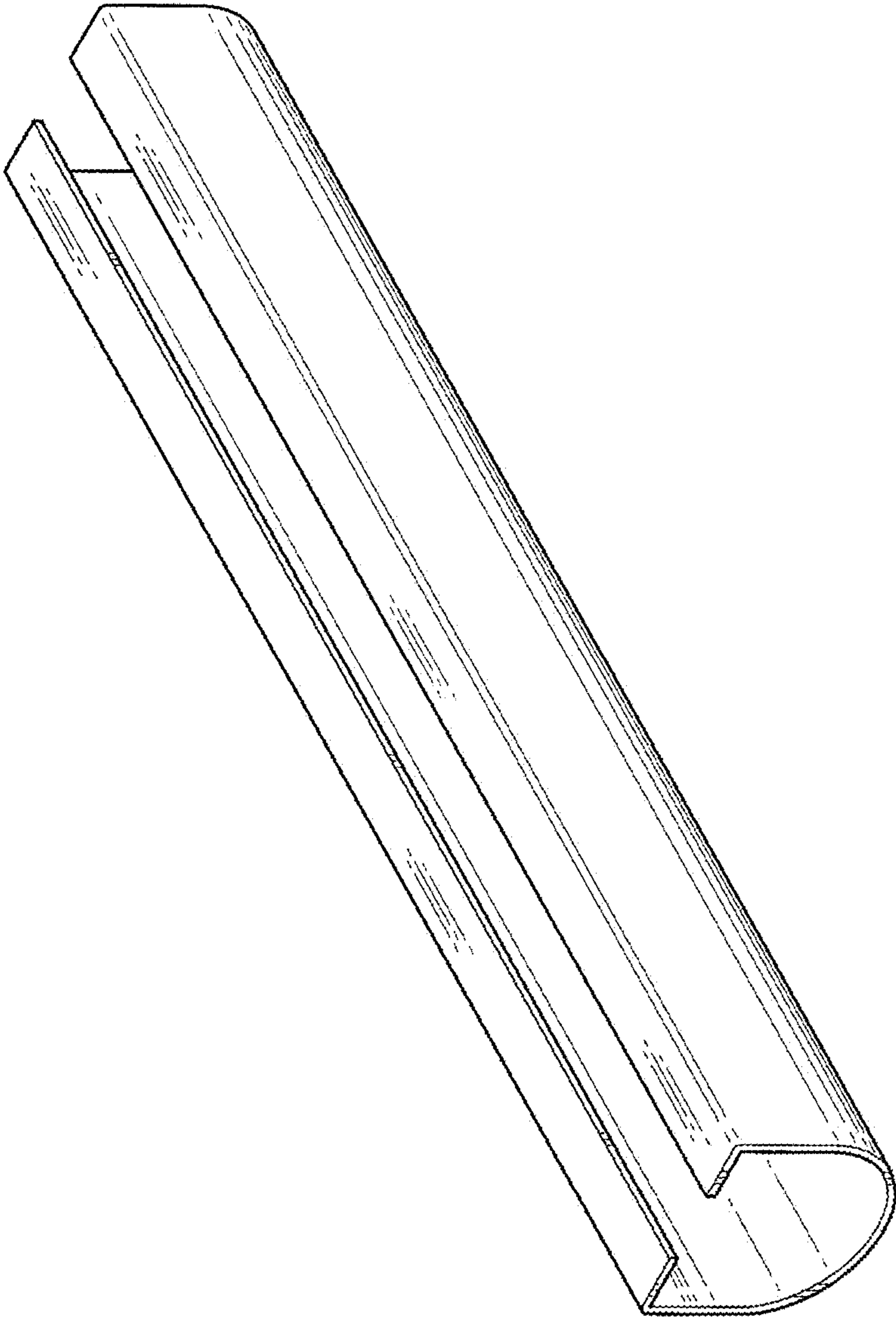


Fig. 1

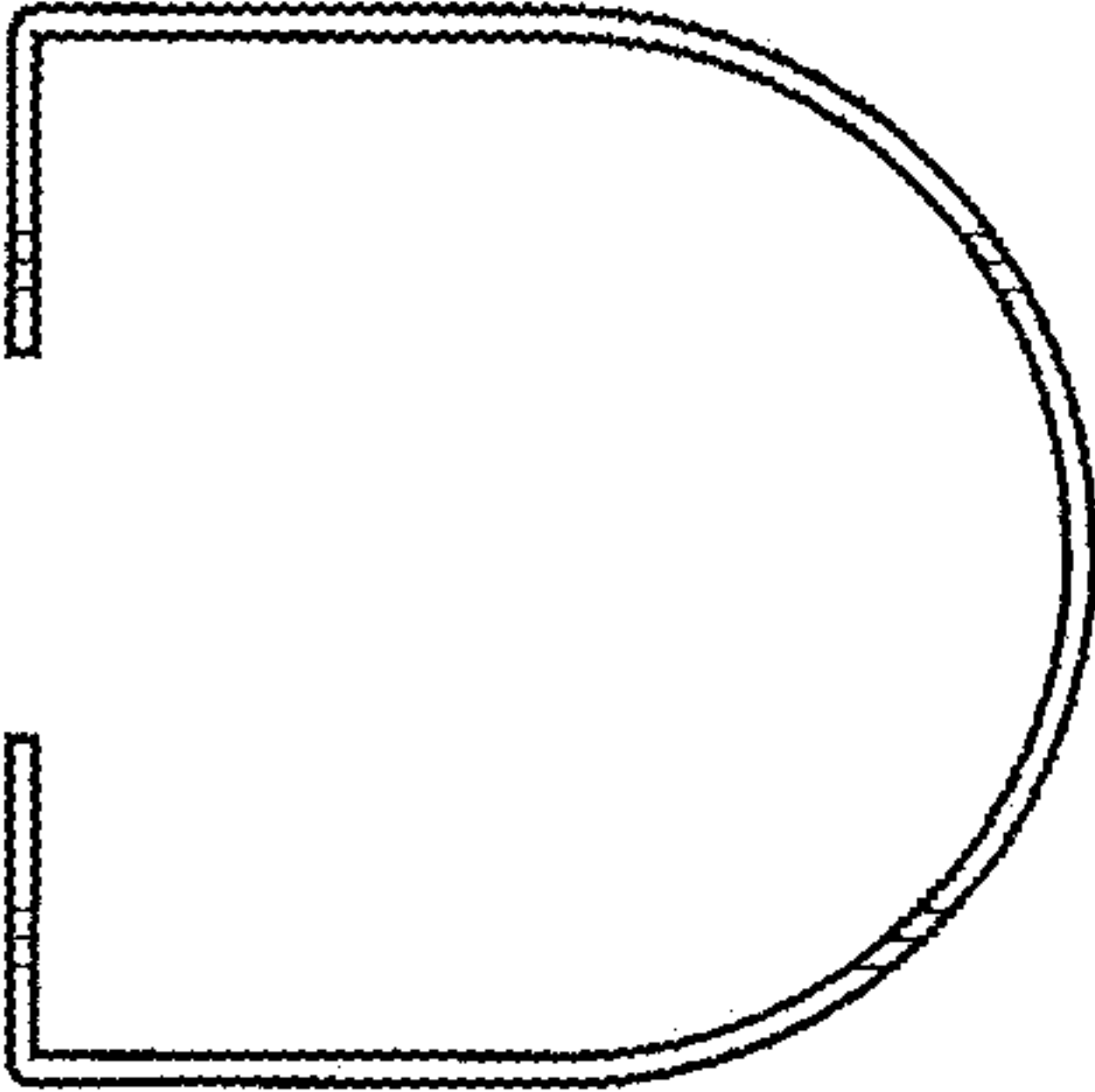


Fig. 2

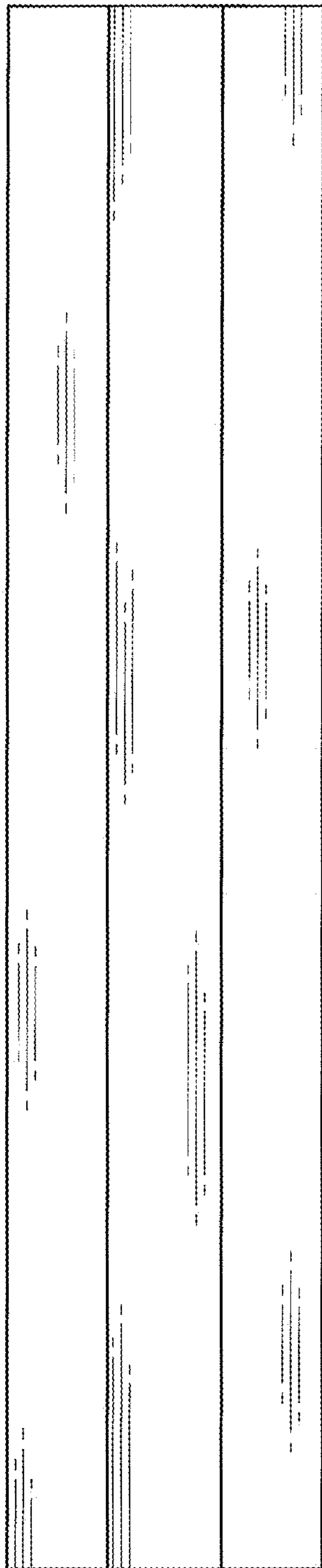


Fig. 3

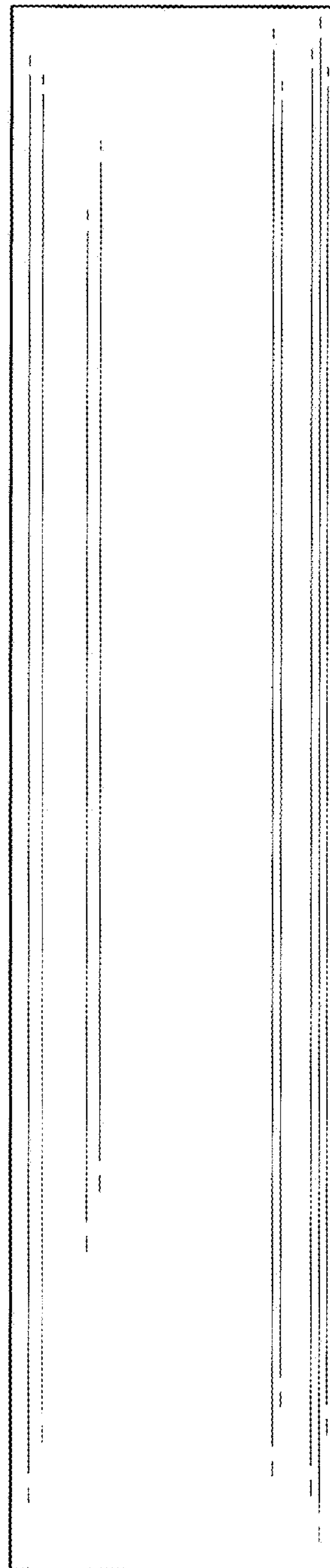


Fig. 4

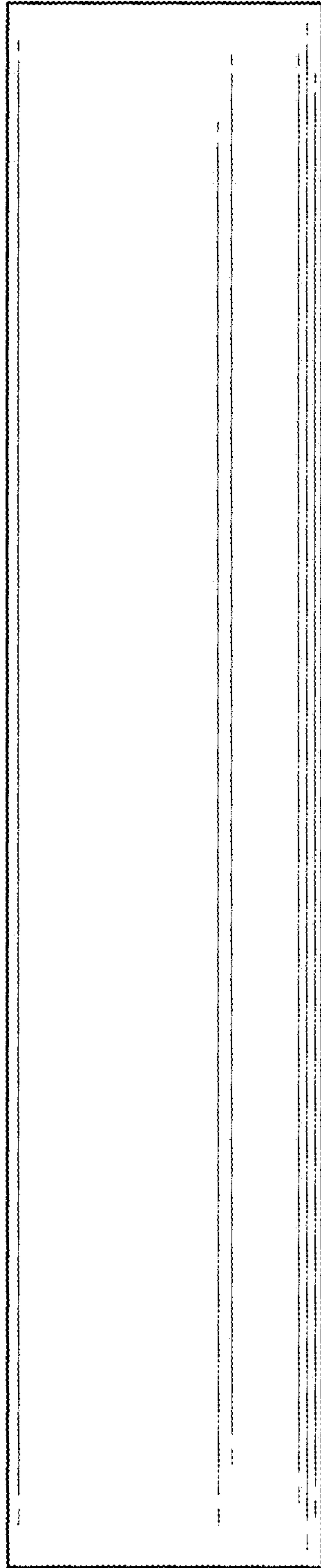


Fig. 5