



US00D757238S

(12) **United States Design Patent**  
**Horsfield**

(10) **Patent No.:** **US D757,238 S**  
(45) **Date of Patent:** **\*\* May 24, 2016**

- (54) **MODULAR FIRE PIT APPARATUS**
- (71) Applicant: **Global Outdoors, Inc.**, Narragansett, RI (US)
- (72) Inventor: **Michael Robert Horsfield**, Wakefield, RI (US)
- (73) Assignee: **Global Outdoors, Inc.**, Narragansett, RI (US)
- (\*\*) Term: **14 Years**
- (21) Appl. No.: **29/524,862**
- (22) Filed: **Apr. 23, 2015**
- (51) **LOC (10) Cl.** ..... **23-03**
- (52) **U.S. Cl.**  
USPC ..... **D23/343**
- (58) **Field of Classification Search**  
USPC ..... D23/317, 314, 332, 333, 334, 335, 337, D23/342, 351, 355, 378, 370, 381, 364, 336, D23/341, 343, 348, 401; 126/30, 519, 500; D7/332, 333, 334, 335, 336, 337, 402, D7/403, 404, 405, 352, 323, 347, 339  
CPC ..... F24C 1/16; F24C 5/00; A47J 33/00; A47J 37/07; A47J 37/0763; F24B 1/18; F24B 1/182; F24B 1/1808; F24B 1/181; F24B 1/191; F24B 1/195  
See application file for complete search history.

(56) **References Cited**

**U.S. PATENT DOCUMENTS**

2,597,477	A	5/1952	Haislip	
3,109,420	A	11/1963	Ott et al.	
3,146,773	A	9/1964	Melzer	
3,599,624	A *	8/1971	Gehring	A47J 37/0704 126/15 R
4,126,116	A	11/1978	McCallum	
4,363,313	A	12/1982	Smith	
4,488,535	A	12/1984	Johnson	
4,569,327	A *	2/1986	Velten	A47J 37/0763 126/25 A
4,651,708	A	3/1987	Groeneweg	
4,878,476	A *	11/1989	Oliphant	A47J 37/0763 126/25 R
D397,428	S *	8/1998	Reitsma	D23/332

5,832,915	A *	11/1998	Skidmore	A47J 37/0763 126/25 R
6,321,640	B1 *	11/2001	Tseng	A47J 37/0704 126/25 R
6,591,828	B1	7/2003	Schneider	
7,237,548	B2	7/2007	Mizrahi et al.	
7,934,494	B1	5/2011	Schneider	
8,770,184	B2 *	7/2014	Schneider	A47J 33/00 126/241
8,820,310	B1	9/2014	Plott	
D729,914	S *	5/2015	Kinchen	D23/332
2002/0148457	A1	10/2002	Rice	
2006/0037605	A1 *	2/2006	Fitzgerald	F24B 1/181 126/519
2009/0107483	A1 *	4/2009	Fitzgerald	F24B 1/181 126/519
2012/0196232	A1 *	8/2012	Miller	F24B 3/00 431/2

\* cited by examiner

*Primary Examiner* — T. Chase Nelson

*Assistant Examiner* — Ania Aman

(74) *Attorney, Agent, or Firm* — One3 IP Management, P.C.; Justin G. Sanders; Jeromye V. Sartain

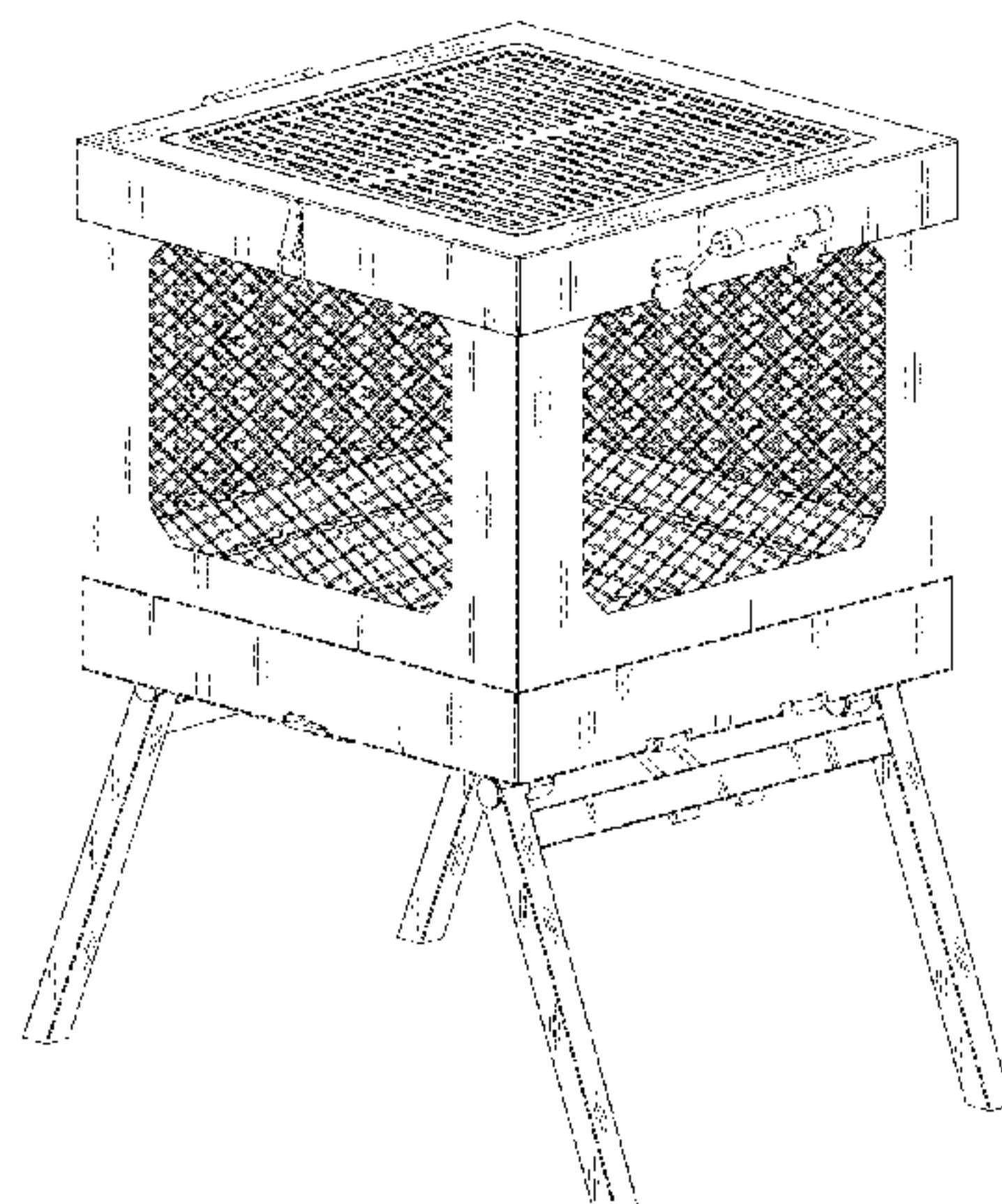
(57) **CLAIM**

The ornamental design for a modular fire pit apparatus, as shown and described.

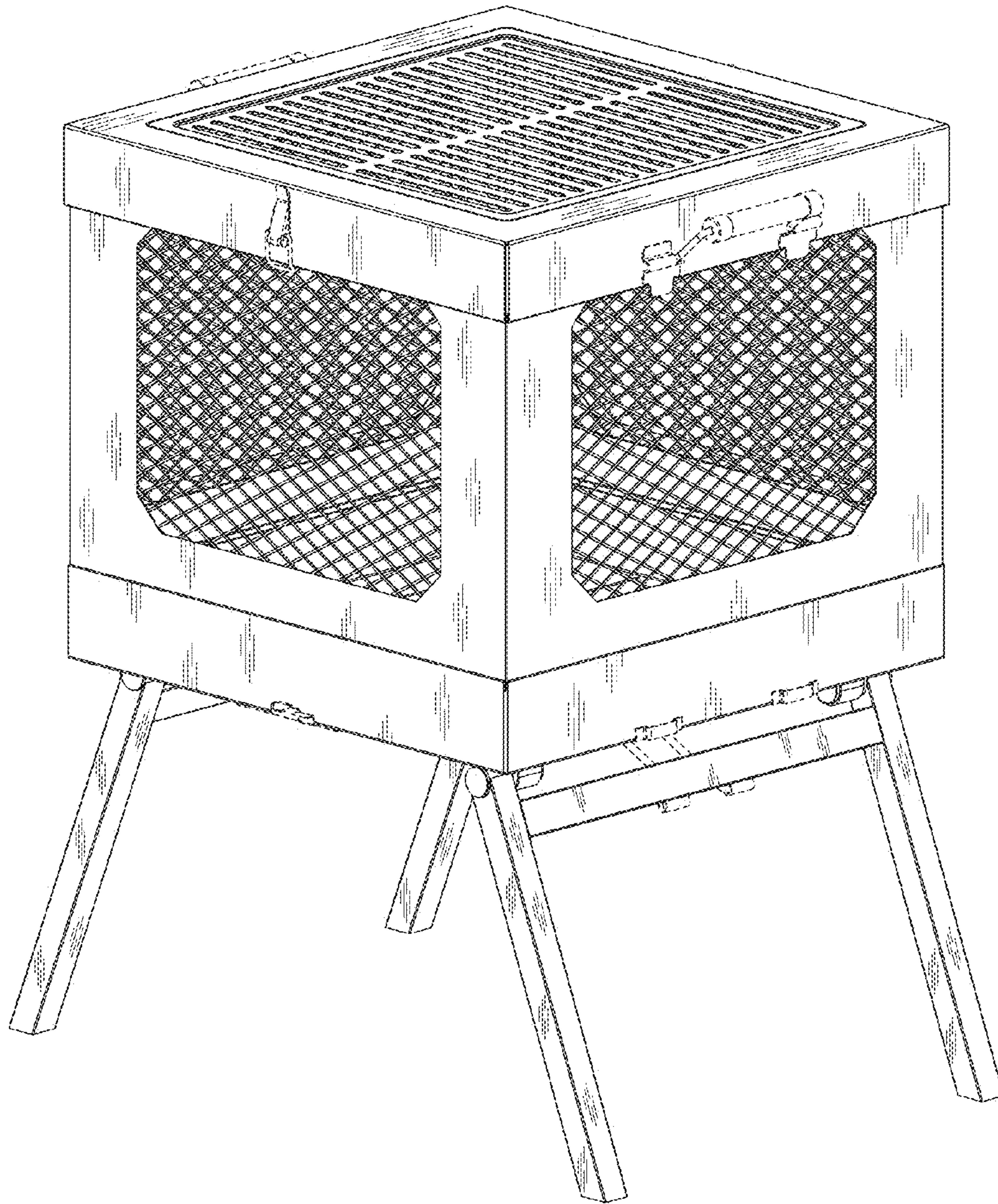
**DESCRIPTION**

FIG. 1 is a perspective view showing an exemplary embodiment of my new modular fire pit apparatus design; FIG. 2 is a front view thereof, the rear view being identical thereto; FIG. 3 is a side view thereof; FIG. 4 is a top view thereof; FIG. 5 is a bottom view thereof; FIG. 6 is a partially exploded view thereof; FIG. 7 is a perspective view of an alternate position of my new modular fire pit apparatus design, namely, in a stored position; FIG. 8 is a front view thereof, the rear view being identical thereto; FIG. 9 is a side view thereof; FIG. 10 is a top view thereof; and, FIG. 11 is a bottom view thereof. In the drawings, the broken lines depict environmental subject matter only that forms no part of the claimed design.

**1 Claim, 6 Drawing Sheets**







*Fig. 1*

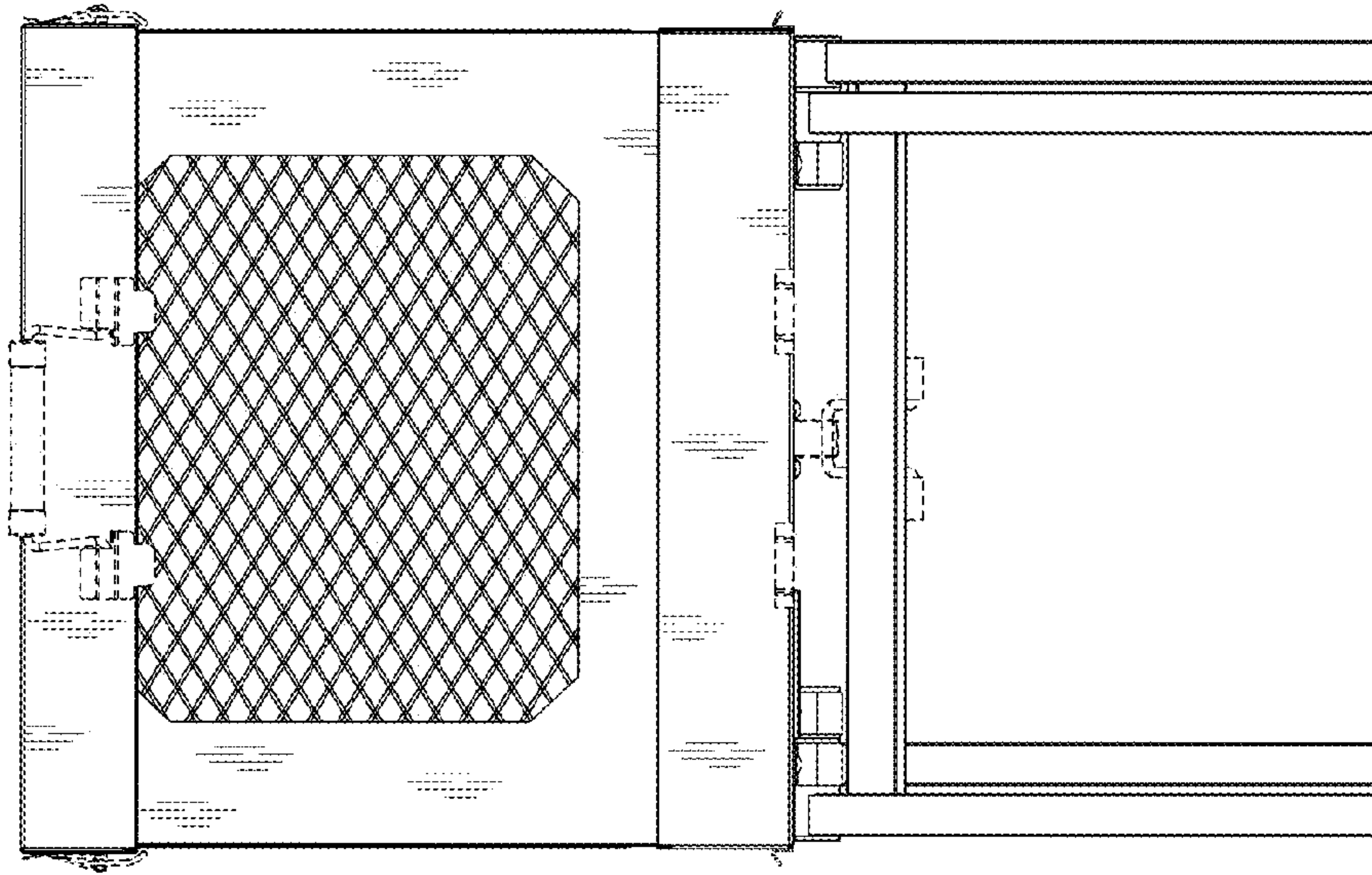


Fig. 3

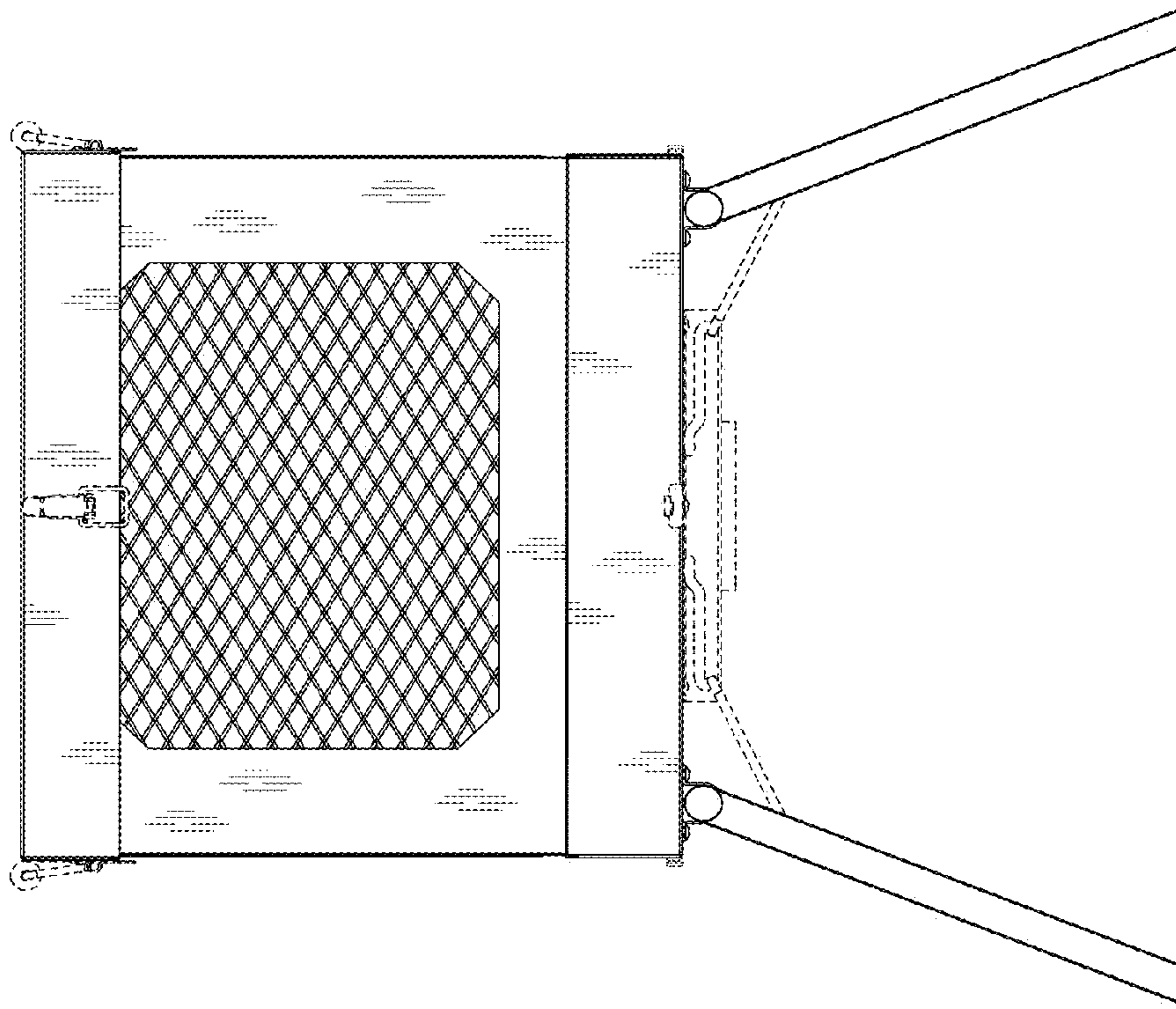
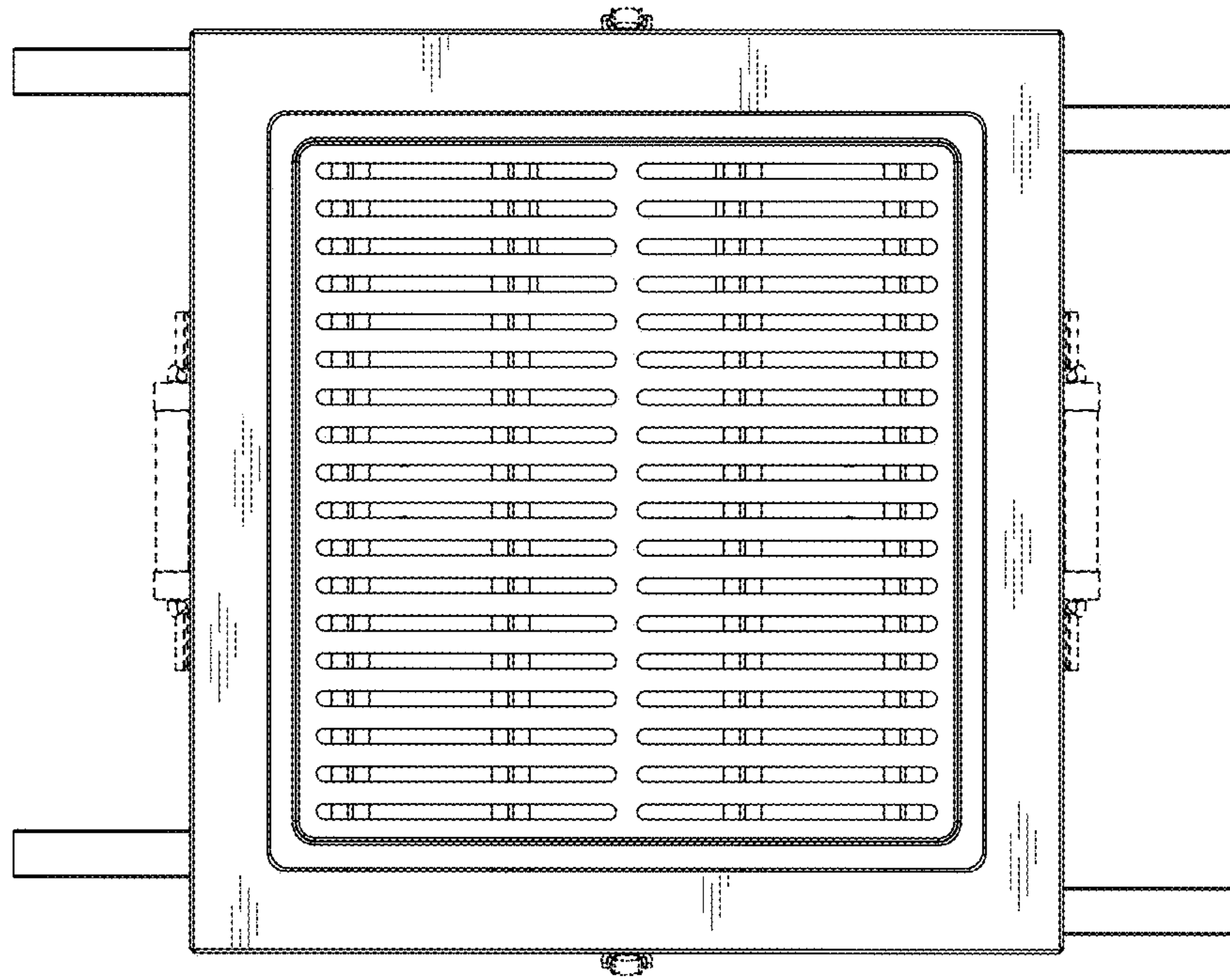
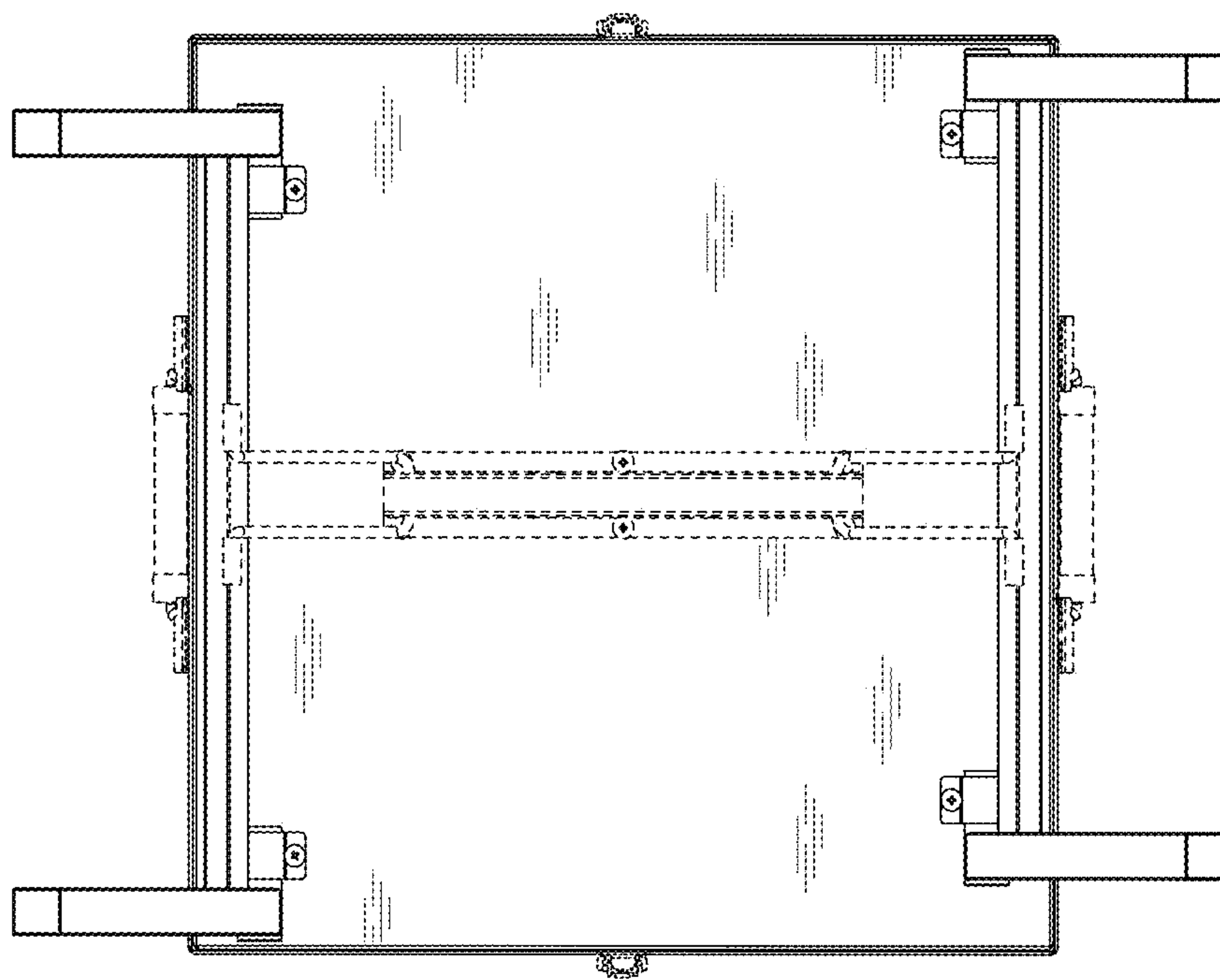


Fig. 2

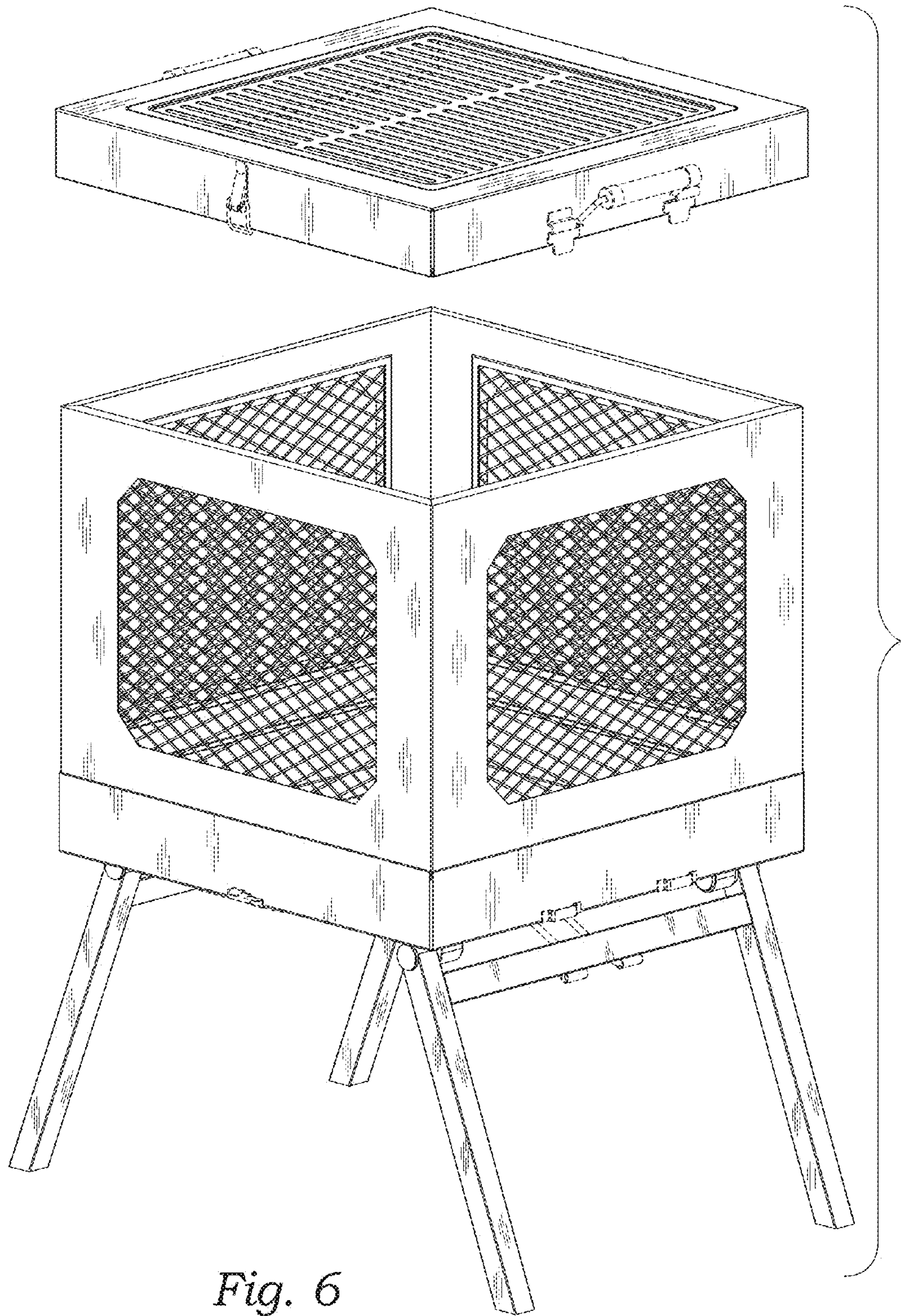




*Fig. 4*

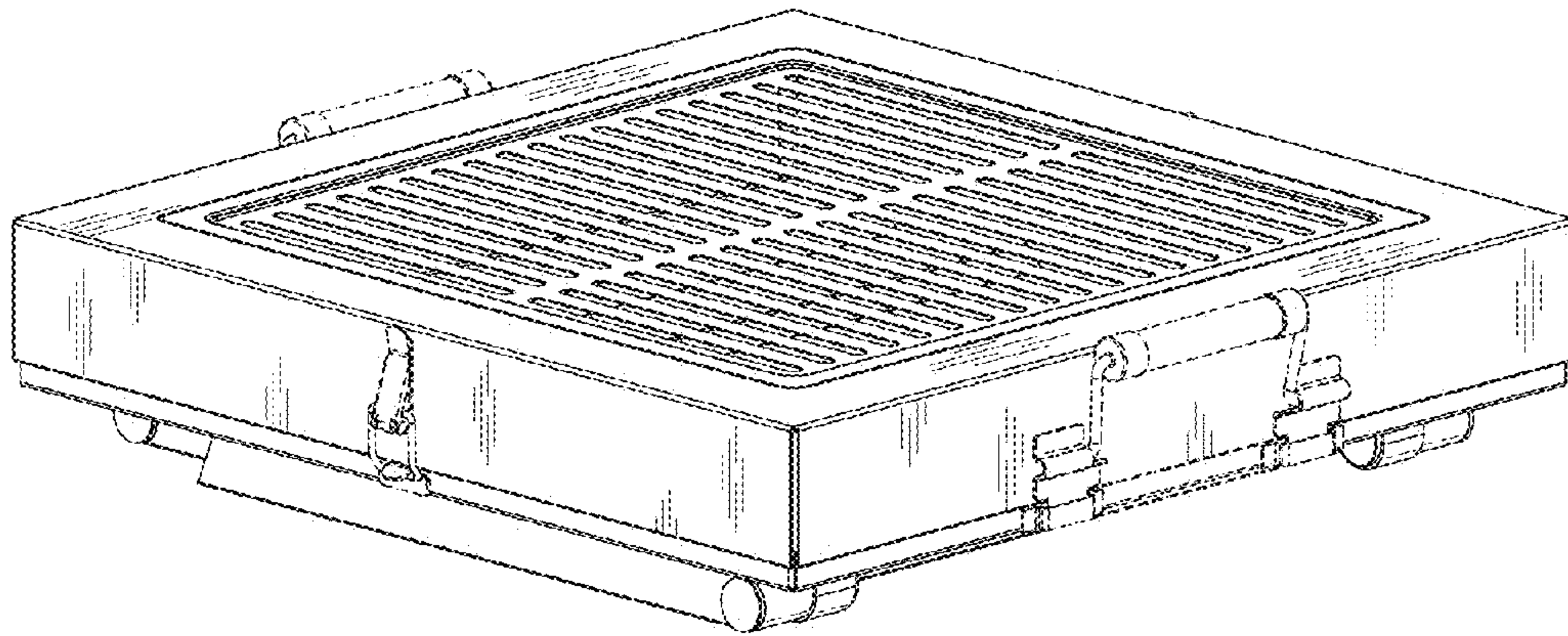


*Fig. 5*

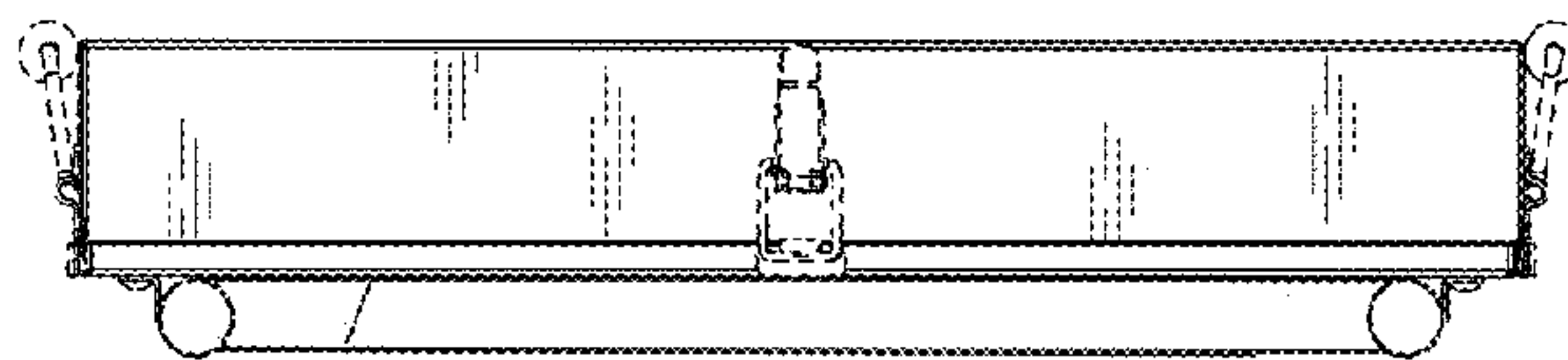


*Fig. 6*

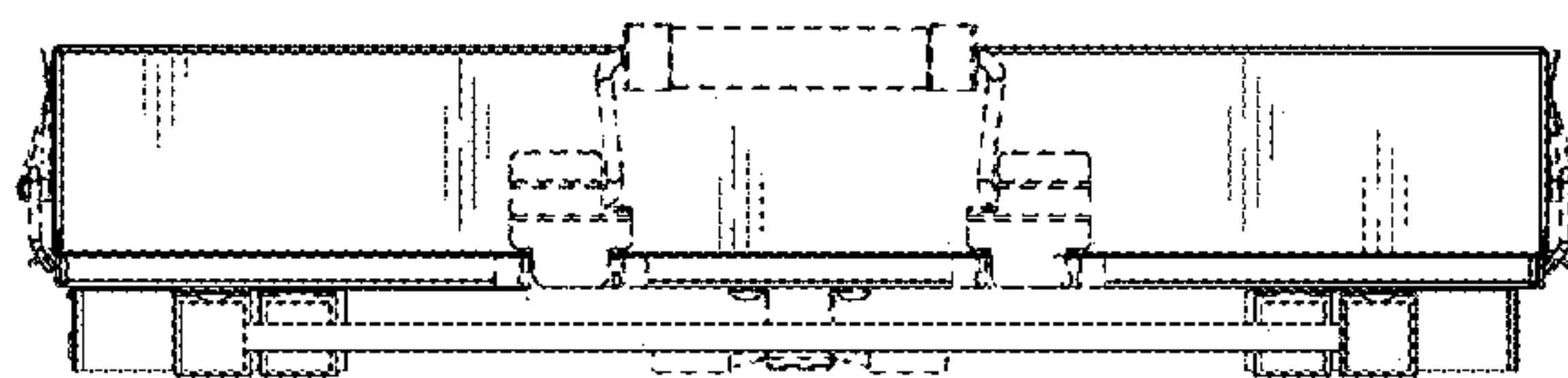




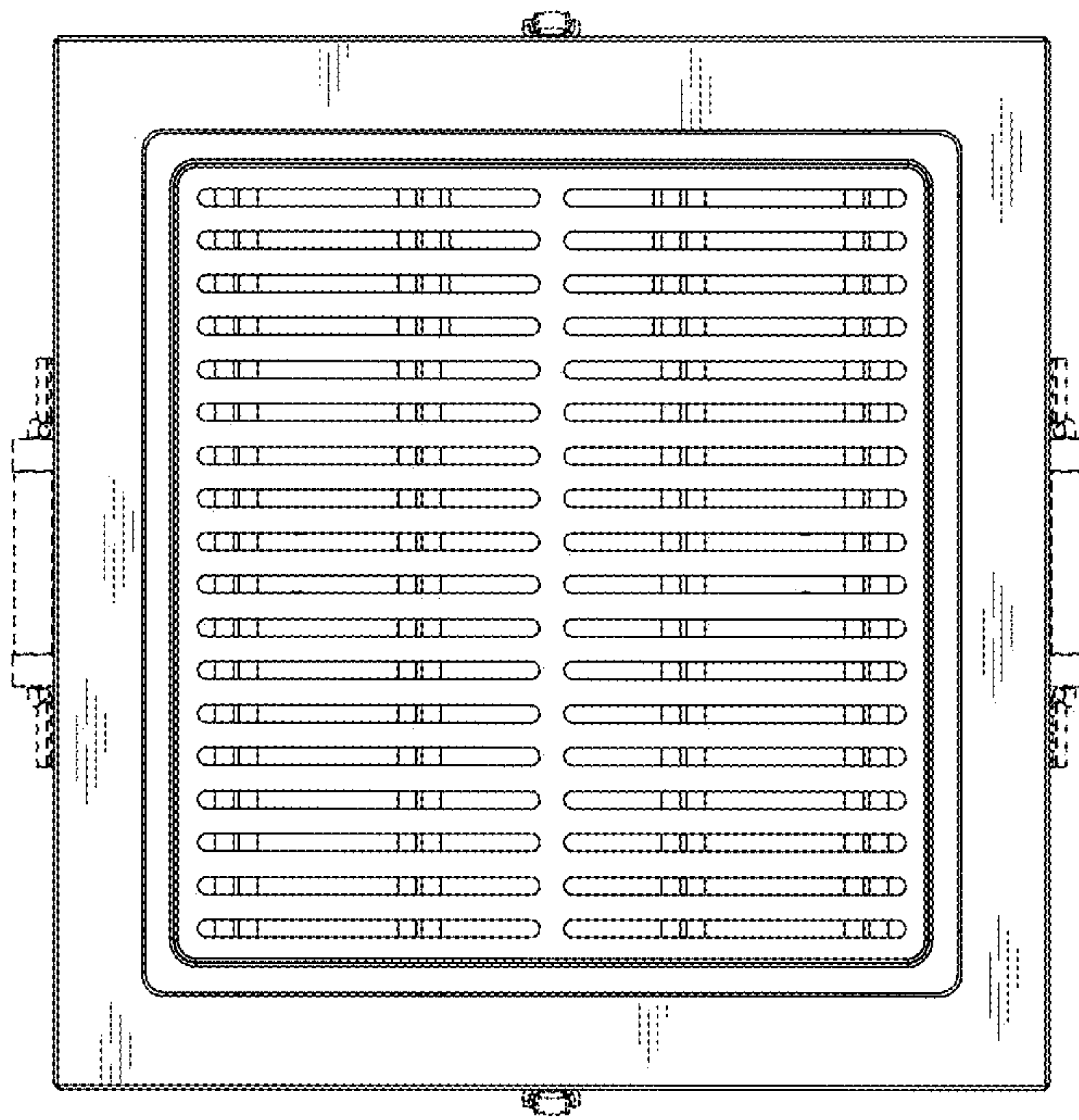
*Fig. 7*



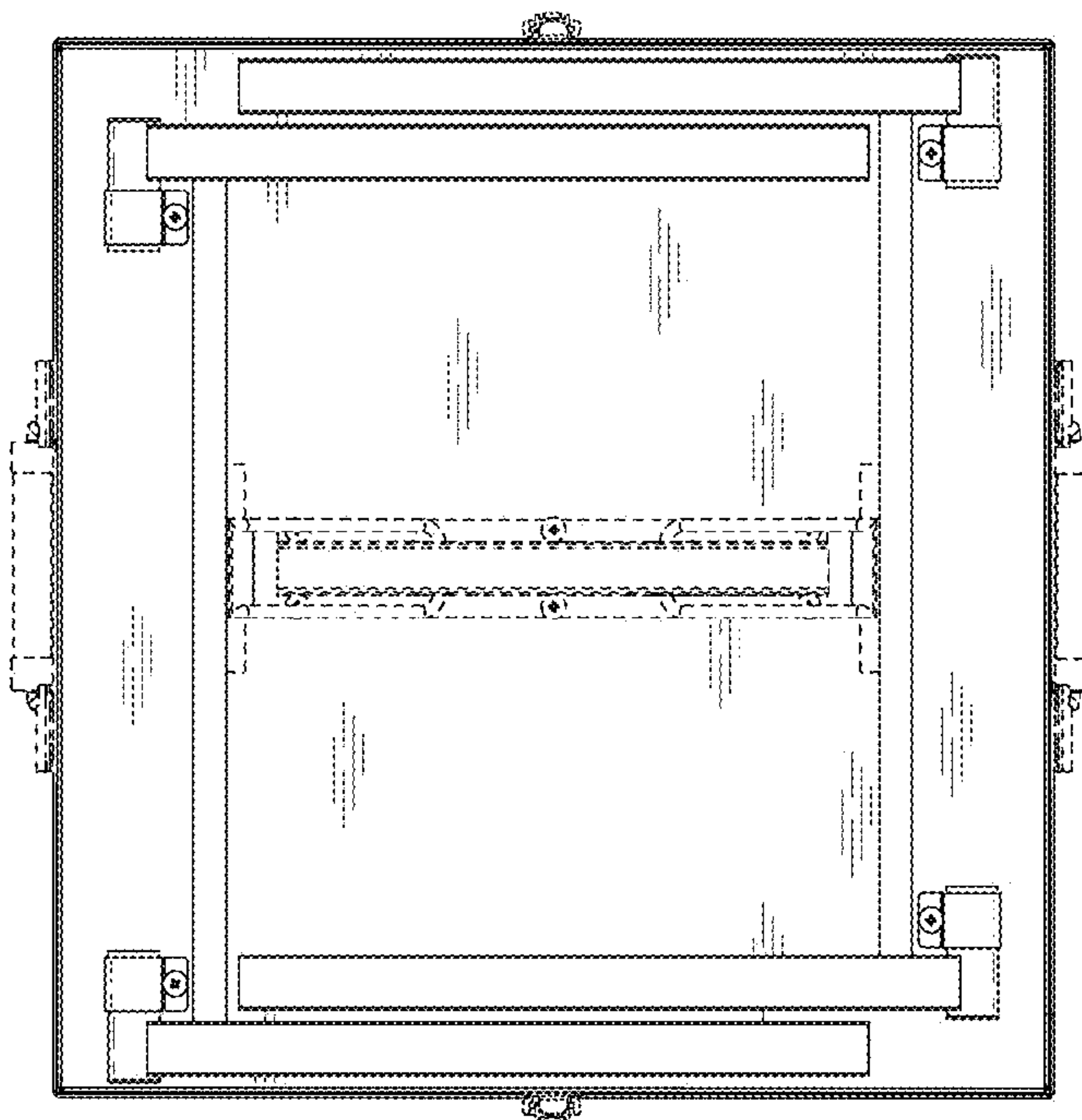
*Fig. 8*



*Fig. 9*



*Fig. 10*



*Fig. 11*