



US00D757237S

(12) **United States Design Patent**
Gonzalez

(10) **Patent No.:** **US D757,237 S**
(45) **Date of Patent:** **** May 24, 2016**

(54) **UMBRELLA FOR DELIVERY AND
DISPERSION OF CRYOGENIC LIQUIDS**

(71) Applicant: **Alejandro J. Gonzalez**, Miami Beach,
FL (US)

(72) Inventor: **Alejandro J. Gonzalez**, Miami Beach,
FL (US)

(**) Term: **14 Years**

(21) Appl. No.: **29/475,083**

(22) Filed: **Nov. 27, 2013**

(51) **LOC (10) Cl.** **D23-03**

(52) **U.S. Cl.**
USPC **D23/332; D23/328**

(58) **Field of Classification Search**
USPC D23/314, 213, 228, 214, 332, 328;
D3/5; 239/276, 289, 16-21; 135/16
CPC .. A45B 3/00; A45B 23/00; A45B 2200/1045;
A45B 2200/1009; B05B 9/08; A62C 13/66
See application file for complete search history.

(56) **References Cited**

U.S. PATENT DOCUMENTS

5,207,238	A *	5/1993	Rivera et al.	135/16
D412,199	S *	7/1999	Louis	D23/213
D416,073	S *	11/1999	Louis et al.	D23/213
5,979,793	A *	11/1999	Louis	A45B 3/00 135/16
D422,051	S *	3/2000	Louis, Jr.	D23/213
6,682,000	B1 *	1/2004	Apple	239/289
6,886,759	B1 *	5/2005	Okronick et al.	239/289
D702,817	S *	4/2014	Ryu	D23/228
D703,290	S *	4/2014	Mora et al.	D23/213
8,807,513	B2 *	8/2014	Volin	A45B 23/00 135/16

8,833,709	B2 *	9/2014	Weng	A45B 23/00 135/16
2003/0150938	A1 *	8/2003	Palmer et al.	239/461
2004/0177871	A1 *	9/2004	Harbaugh	A45B 19/10 135/20.1
2008/0048051	A1 *	2/2008	Chang	239/289

FOREIGN PATENT DOCUMENTS

FR	2863151	A1 *	6/2005	A45B 3/00
----	---------	------	--------	-----------

* cited by examiner

Primary Examiner — T. Chase Nelson

Assistant Examiner — Ania Aman

(74) *Attorney, Agent, or Firm* — Nancy J. Flint, Esq.; Nancy J. Flint, Attorney at Law, P.A.

(57) **CLAIM**

The ornamental design for an umbrella for delivery and dispersion of cryogenic liquids, as shown and described.

DESCRIPTION

FIG. 1 is a back perspective view of an umbrella for delivery and dispersion of cryogenic liquids showing my new design; FIG. 2 is a left side elevation view; FIG. 3 is a right side elevation view; FIG. 4 is a back elevation view; FIG. 5 is a front elevation view; FIG. 6 is a top plan view; FIG. 7 is a bottom plan view; and, FIG. 8 is a left side elevation view of the-umbrella for delivery and dispersion of cryogenic liquids shown in use. In FIG. 7, the broken lines depict unclaimed subject matter only and form no part of the claimed design. In FIG. 8, the broken lines shown in the drawings are for the purpose of illustrating environment that forms no part of the claimed design.

1 Claim, 4 Drawing Sheets

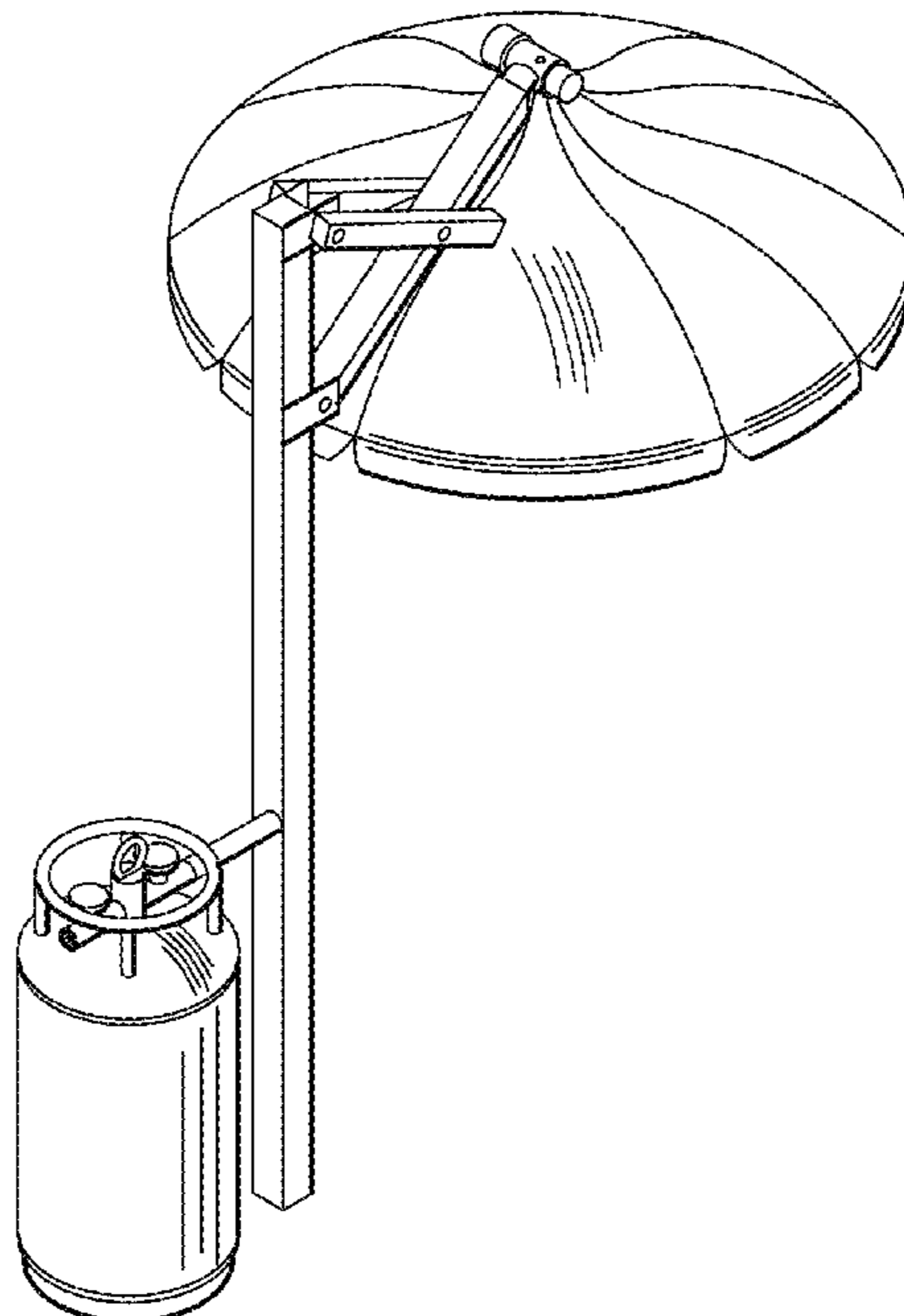


FIG. 1

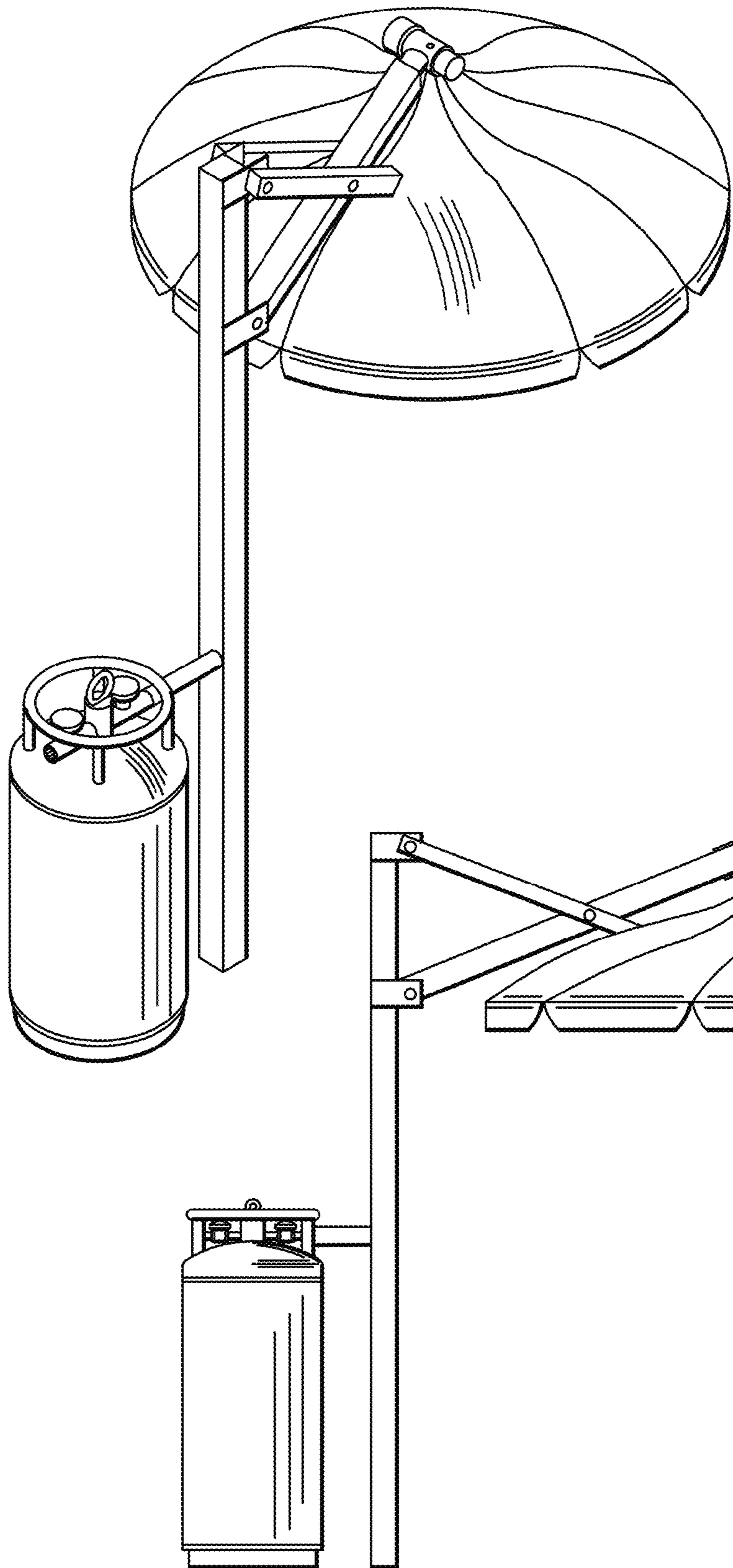


FIG. 2

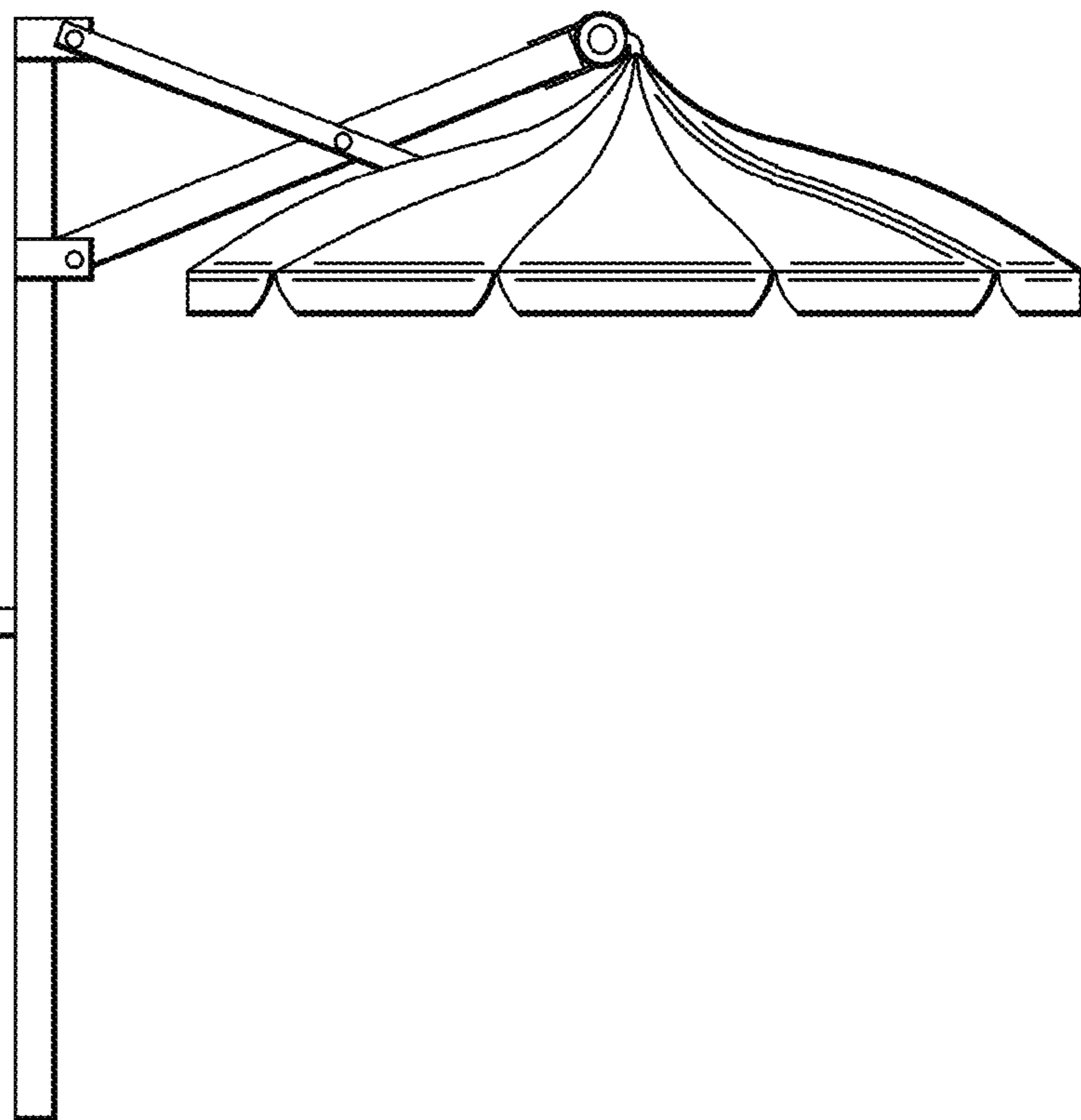


FIG. 3

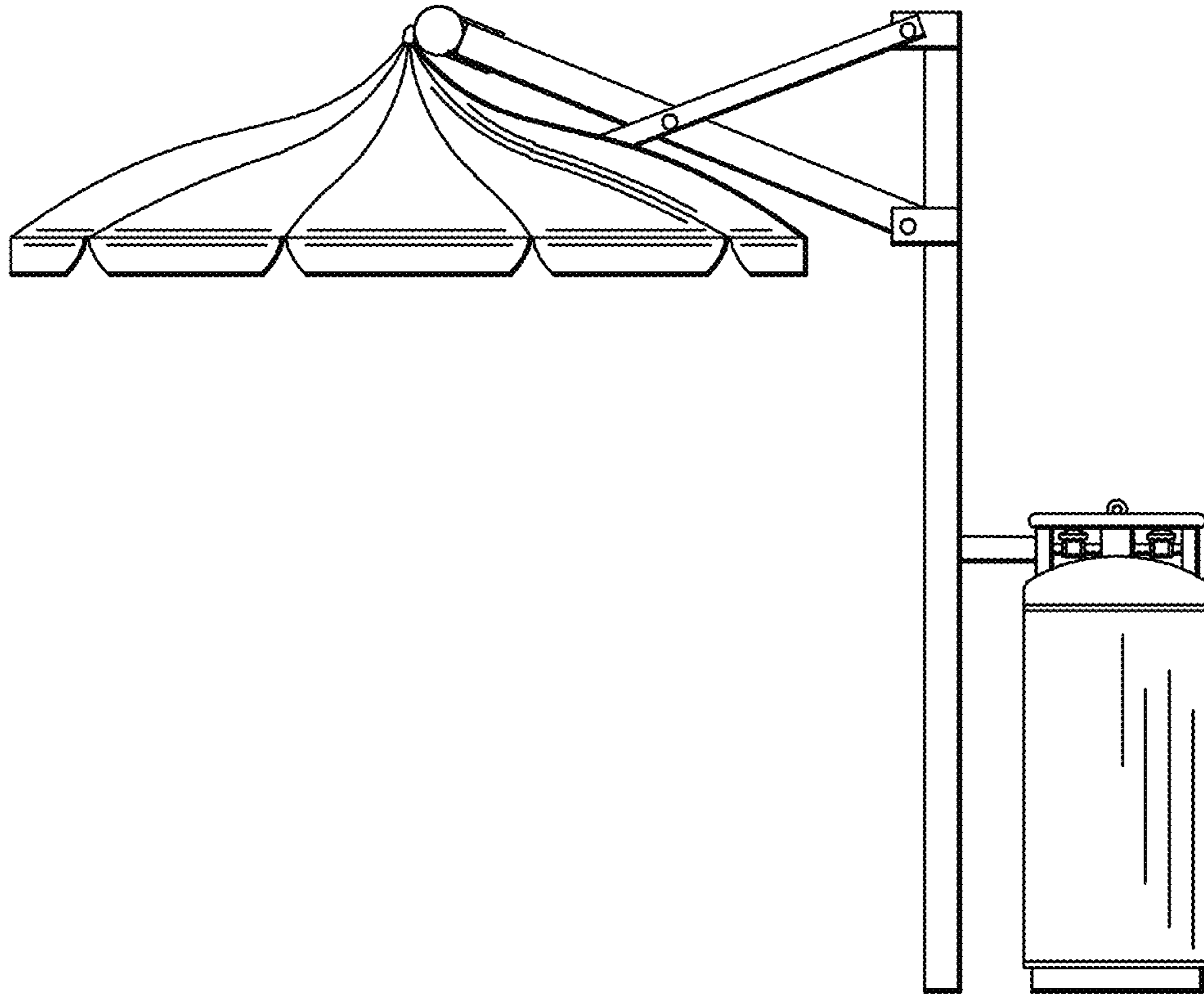


FIG. 4

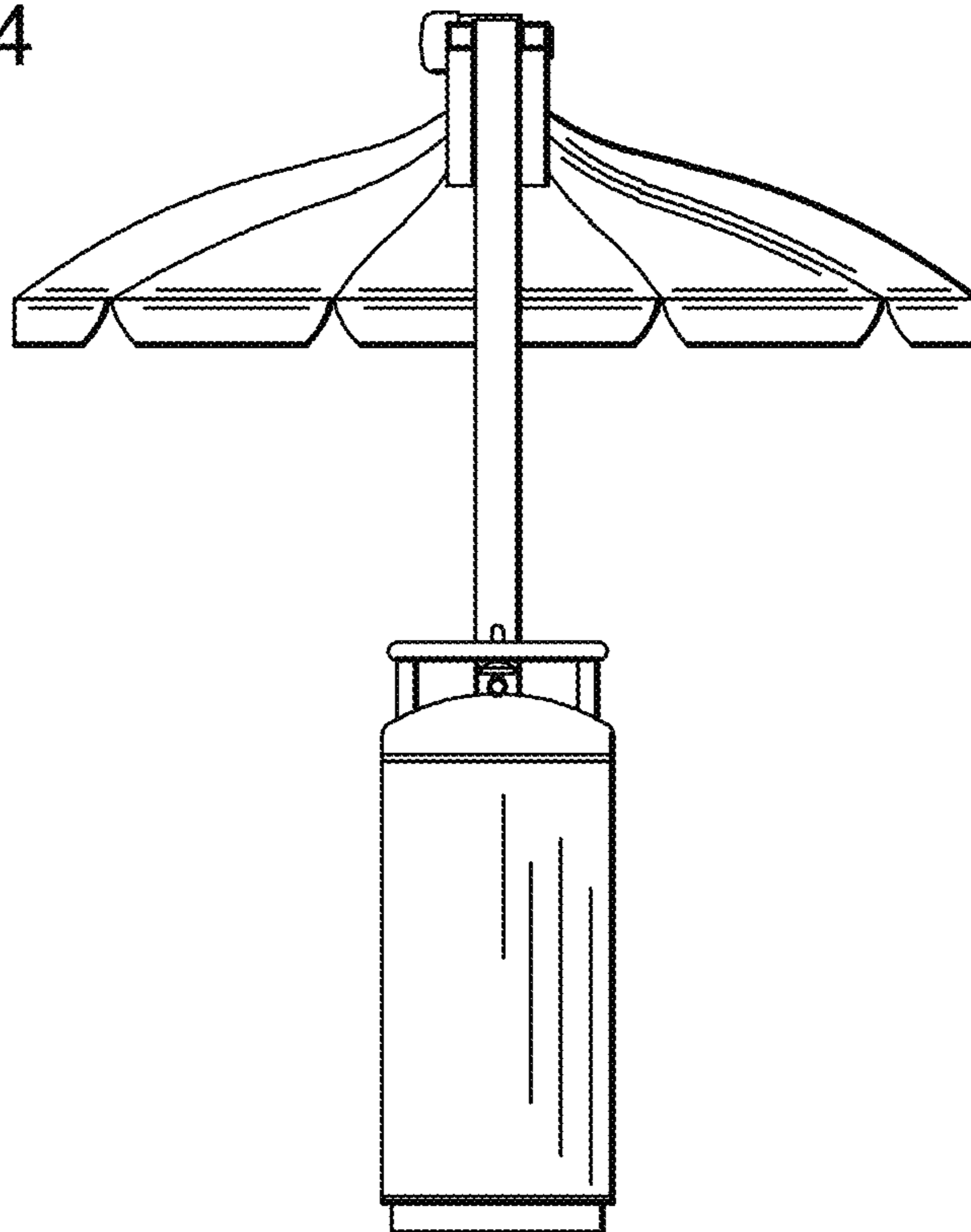


FIG. 5

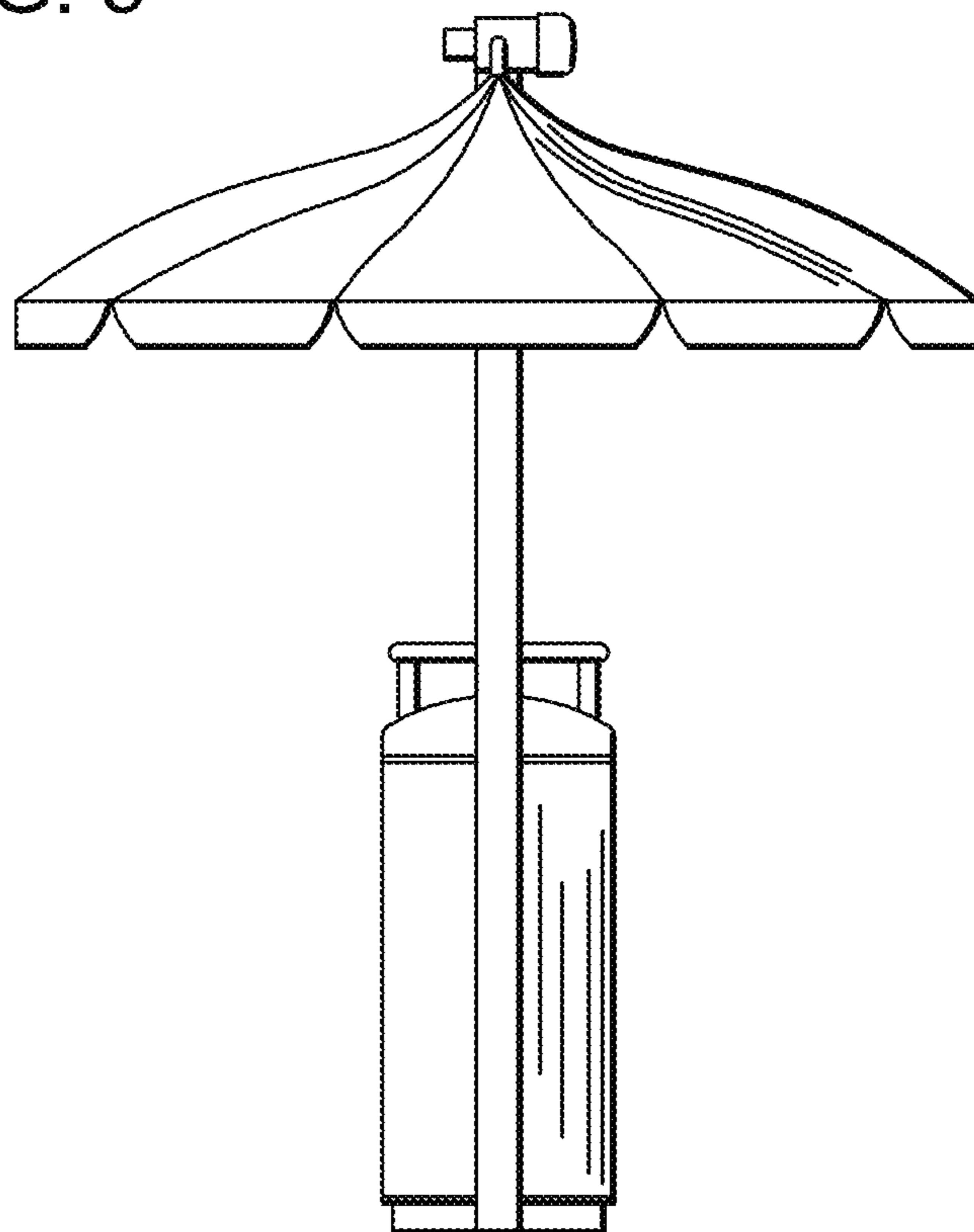


FIG. 6

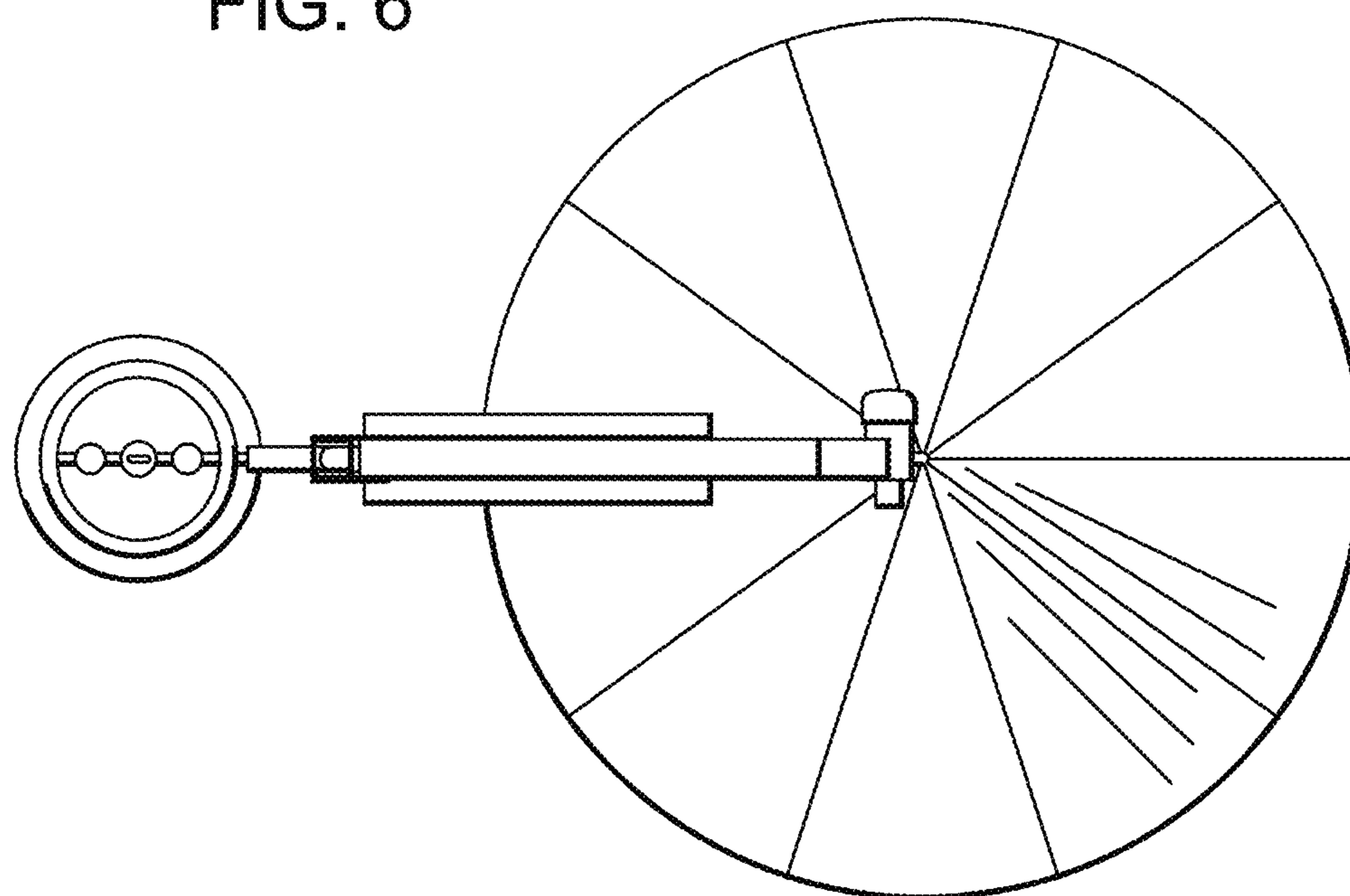


Fig. 7

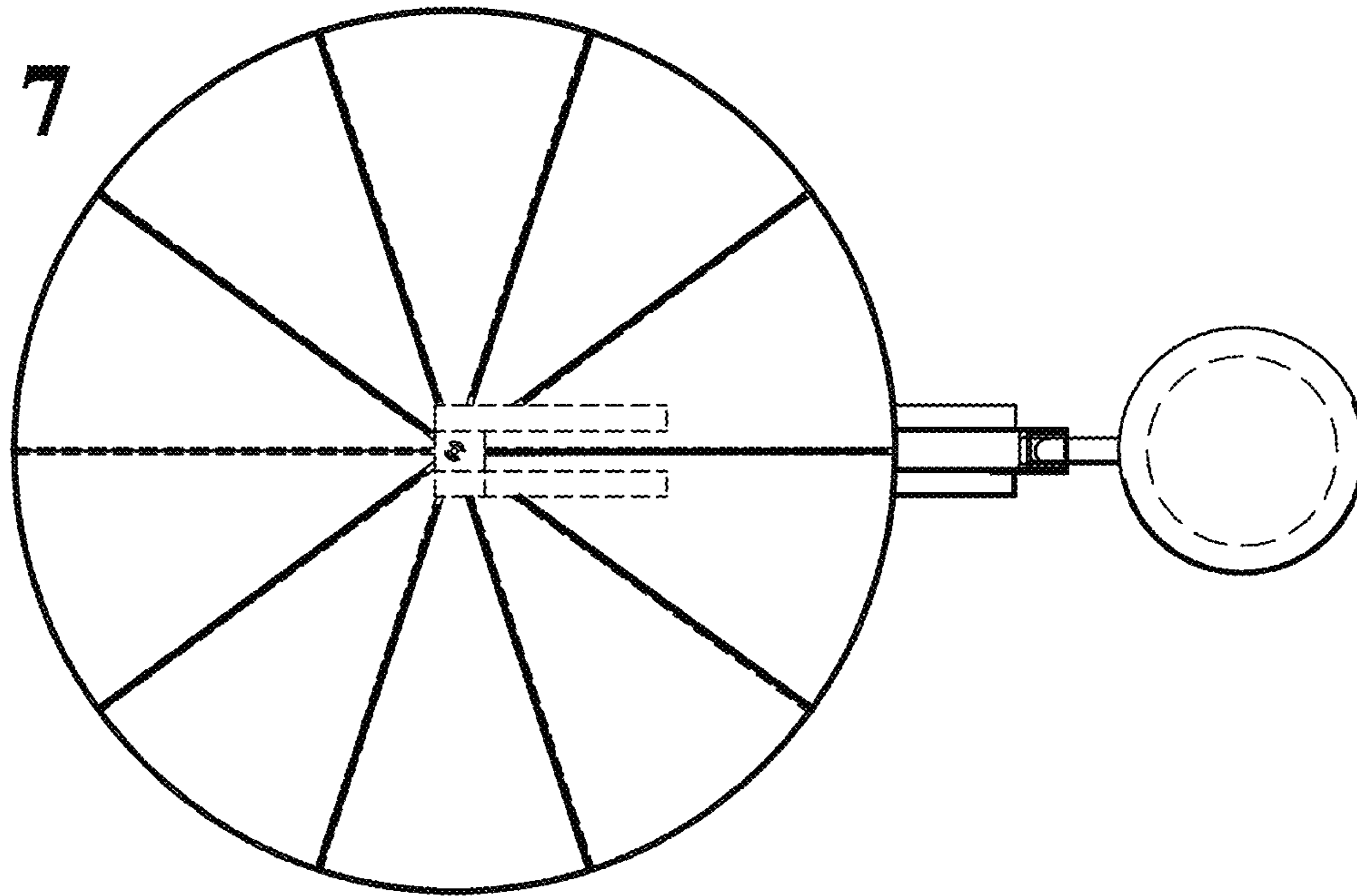


Fig. 8

